



SNOWSOUND

VOLUMI

A modular collection of sound-absorbing furniture distinguished by visually squared lines, yet with great softness to the touch. A band of anthracite-colored fabric in the lower part creates a sill and an interesting chromatic play that accompanies all the elements. The optimal use of SnowsoundFiber sound-absorbing upholstery achieves excellent acoustic performance.

Snowsound Lab,
Designer





VOLUMI

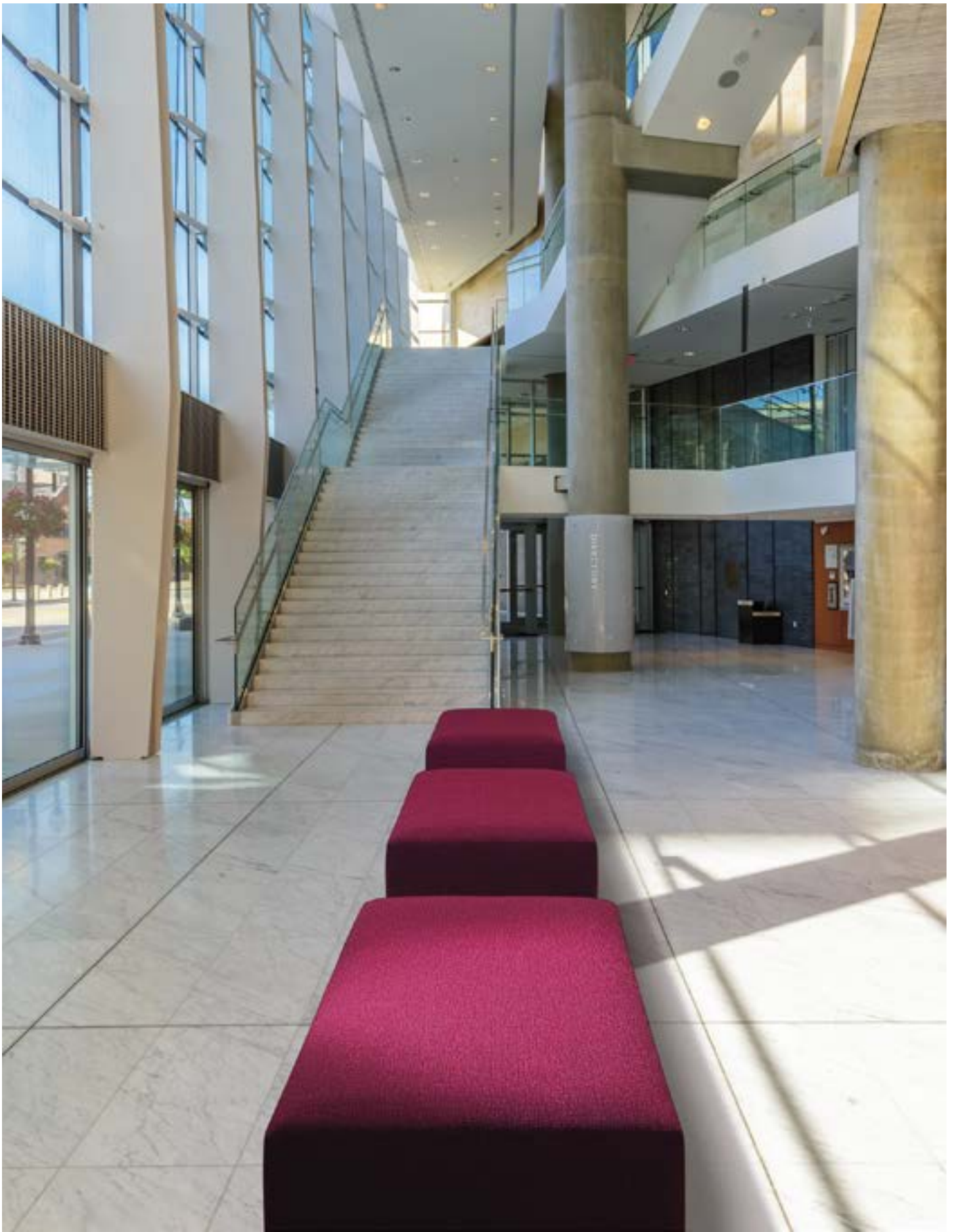
A modular system of upholstered sound-absorbing seats with a supporting structure made of wooden material and elastic belts, dimensioned to independently absorb low frequencies. The seats are covered with sound-absorbing polyurethane and polyester, combined with upholstery in sound-absorbing Snowsound Fiber fabric made of polyester fibers, allowing the seat to absorb different frequencies in the best possible way.

The outer fabric cover is removable.

The seats are available with and without a dark grey fabric strip at the base to act as a heel stop and can be joined together using metal fittings.

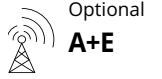








A+E TECHNOLOGY ELECTROMAGNETIC REDUCTION

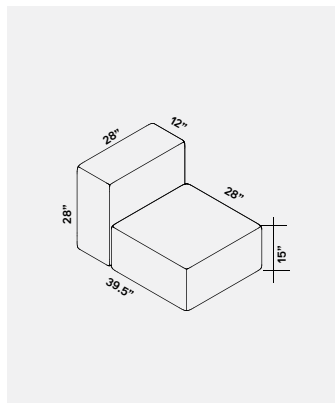


Snowsound metallized high-tech polymer fabric, infused with pure silver, serves a specific purpose: to reduce the power of electromagnetic fields while still allowing the use of smartphones and Wi-Fi networks. Unlike some materials that completely block signals, this fabric offers a balanced approach, ensuring functionality while minimizing electromagnetic exposure. By integrating this radio frequency-reducing fabric into sofas and other sound-absorbing elements, it combines the benefits of sound absorption with the reduction of electromagnetic fields. This patented technology represents a significant advancement in promoting the well-being of individuals by addressing concerns related to electromagnetic exposure.

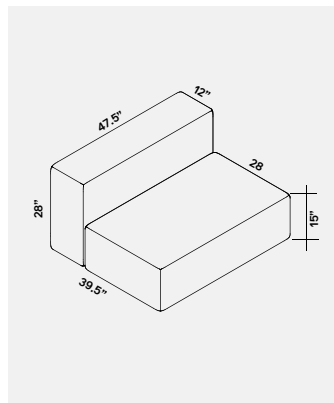
Standard	Frequency MHz (Start-Stop)	Residual Signal Power
GSM / 850	825-895	0.85%
GSM / 900	870-960	3.34%
UMTS	1920-2170	0.56%
LTE	2510-2690	0.30%
WIFI	2400-2500	0.60%
5G	3400-3800	0.79%
WIFI	5100-5800	0.75%



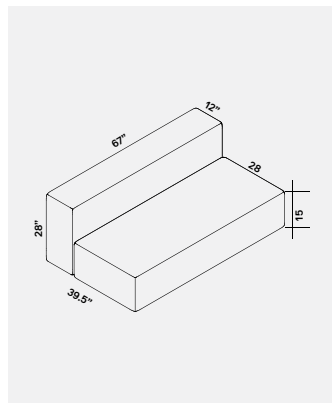
PRODUCT SPECS: VOLUMI SOFAS & OTTOMANS



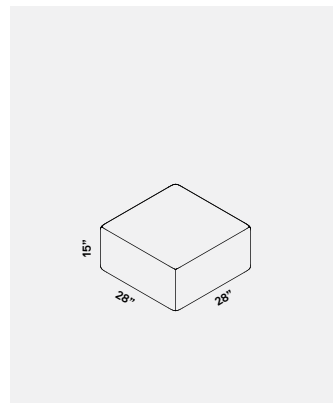
Model No. 7DCL1



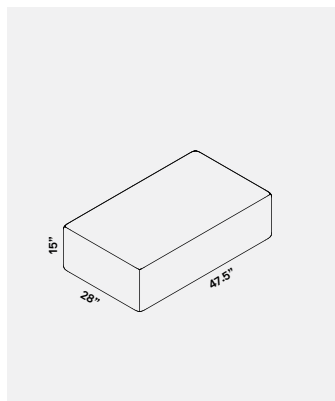
Model No. 7DCL2



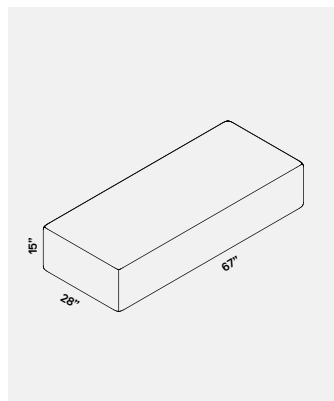
Model No. 7DCL3



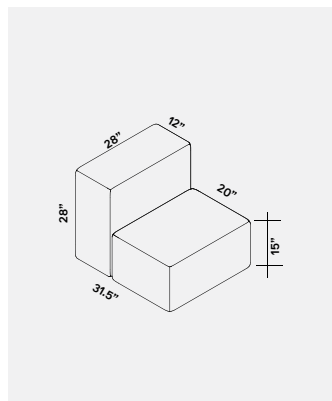
Model No. 7DCL4



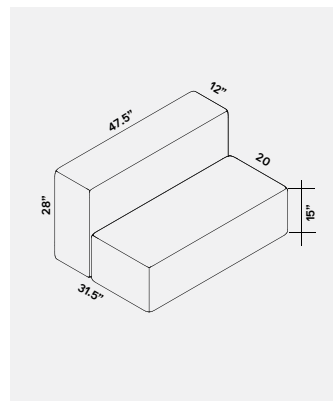
Model No. 7DCL5



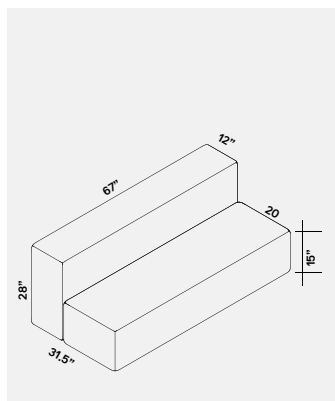
Model No. 7DCL6



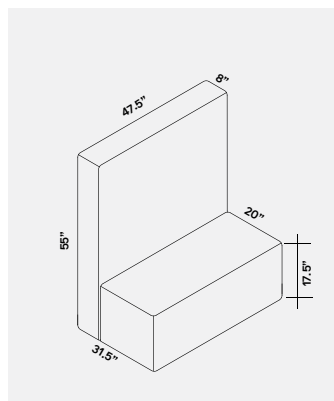
Model No. 7DCL9



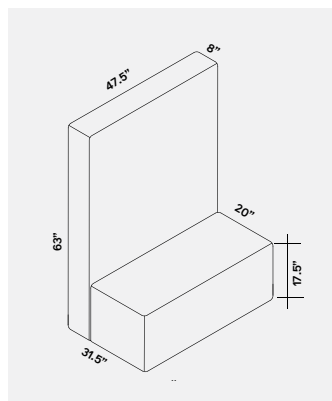
Model No. 7DCL10



Model No. 7DCL11

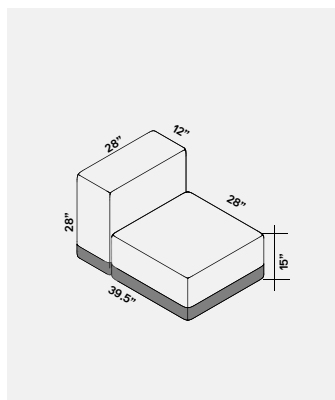


Model No. 7DCL13

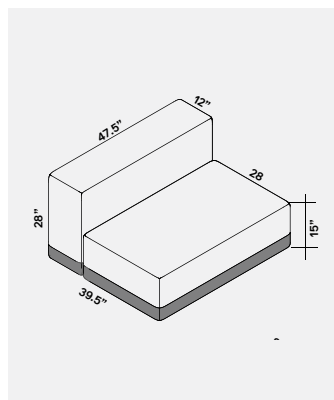


Model No. 7DCL16

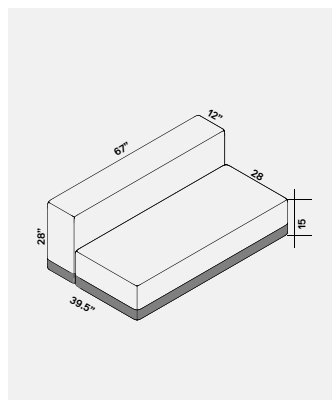
PRODUCT SPECS: VOLUMI SOFAS & OTTOMANS**



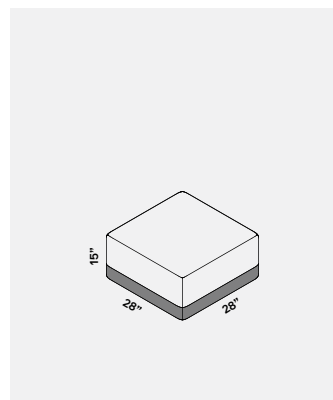
Model No. 7DCL1A



Model No. 7DCL2A

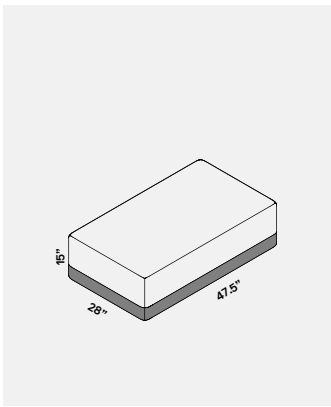


Model No. 7DCL3A

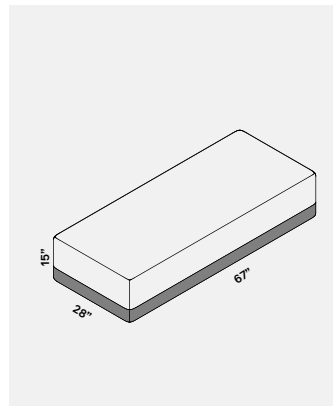


Model No. 7DCL4A

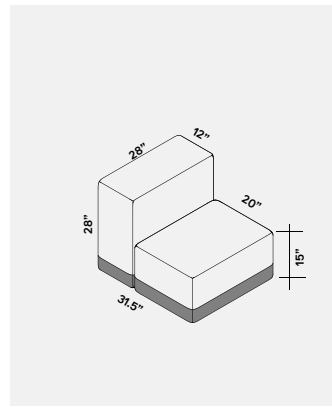
** With anthracite-colored fabric band



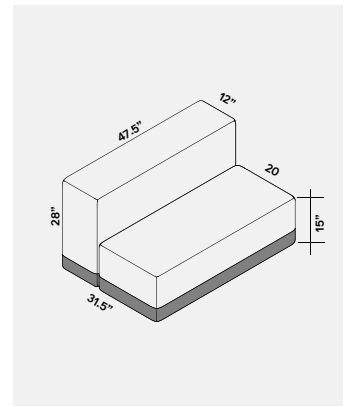
Model No. 7DCL5A



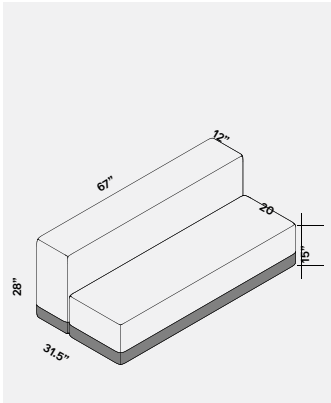
Model No. 7DCL6A



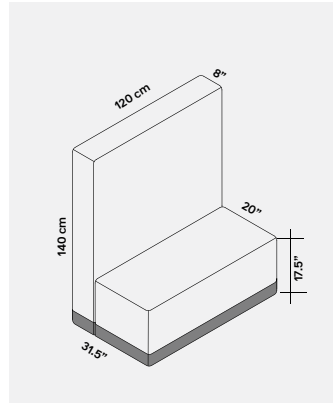
Model No. 7DCL9A



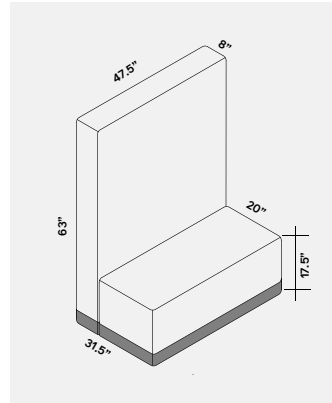
Model No. 7DCL10A



Model No. 7DCL11A

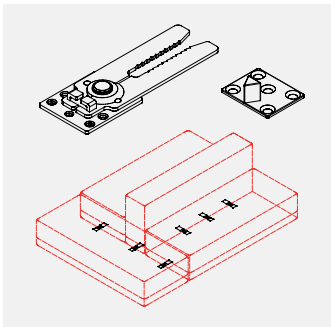


Model No. 7DCL13A



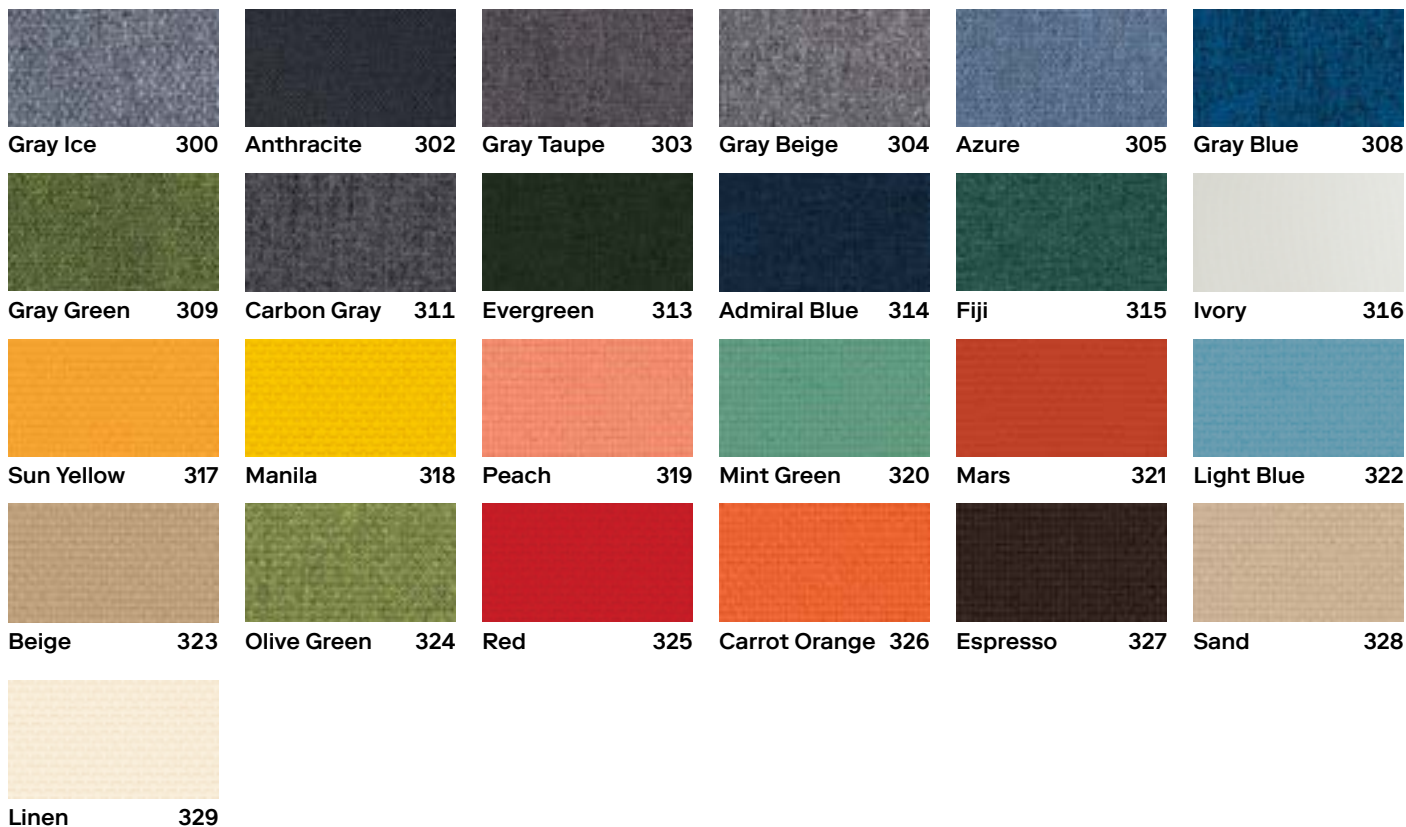
Model No. 7DCL16A

PRODUCT SPECS: CONNECTING HARDWARE



Model No. 7DCOC

FABRIC FINISH: FIBER 3 MELANGE



PHYSICAL PROPERTIES

Content 100% Inherently Fire Resistant, Acoustic Sound Absorbing Polyester Fibers with Patented Snowsound Technology

ACOUSTIC PERFORMANCE & NOISE REDUCTION RATING

Absorption Coefficient & NRC Please refer to the online Technical Sheets for acoustical testing details

PERFORMANCE

Flame Resistance	Passes NFPA 701 // NFPA 260 // CAL. TB 117 // UL 723 Class A // ASTM E 84 Class A
Environment	100% Recyclable and GREENGUARD GOLD Certified. LEED v4 Credits and Certification, Declare Label, LBC Red List Free
Abrasion Resistance	50,000 rubs /cycles (tested according to Martindale Method)
Colorfastness to Light	Grade 7 – “Outstanding” (Passes AATCC 16 / ISO 105–B02:2014)
Colorfastness to Crocking	Wet – Grade 5. Dry – Grade 4/5. (Passes AATCC 8 / ISO 105–X12: 2016)
Propensity to Surface Fuzzing & Pilling	Grade 5 – “no change” (Passes ISO 12945–2:2002)

FABRIC FINISH: FIBER 8 BOUCLÉ



Dove Coffee 800



Gray Ice 801



Gray Beige 802



Graphite 803



Frost 810



Rhino 811



Obsidian 807



Sahara 812



Yosemite 813



Arctic 814



Mint 815



Vanilla Bean 816

PHYSICAL PROPERTIES

Content	100% Inherently Fire Resistant, Acoustic Sound Absorbing Polyester Fibers with Patented Snowsound Technology
---------	--

ACOUSTIC PERFORMANCE & NOISE REDUCTION RATING

Absorption Coefficient & NRC	Please refer to the online Technical Sheets for acoustical testing details
------------------------------	--

PERFORMANCE

Flame Resistance	Passes NFPA 701 // NFPA 260 // CAL. TB 117 // UL 723 Class A // ASTM E 84 Class A
Environment	100% Recyclable and GREENGUARD GOLD Certified LEED v4 Credits and Certification, Declare Label, LBC Red List Free
Abrasion Resistance	25,000 rubs /cycles (tested according to Martindale Method)
Colorfastness to Light	Grade 6/7 – “Excellent” (Passes AATCC 16 / ISO 105-B02:2014)
Colorfastness to Crocking	Wet & Dry – Grade 5 (Passes AATCC 8 / ISO 105-X12: 2016)
Propensity to Surface Fuzzing & Pilling	Grade 5 – “no change” (Passes ISO 12945-2:2002)

FABRIC FINISH: FIBER 14 BIOSPHERE



Stone 1401



Clouds 1402



Volcano 1404



Tundra 1405



Forest 1406

PHYSICAL PROPERTIES

Content	100% Inherently Fire Resistant, Acoustic Sound Absorbing Polyester Fibers with Patented Snowsound Technology
---------	--

ACOUSTIC PERFORMANCE & NOISE REDUCTION RATING

Absorption Coefficient & NRC	Please refer to the online Technical Sheets for acoustical testing details
------------------------------	--

PERFORMANCE

Flame Resistance	Passes NFPA 701 // NFPA 260 // CAL. TB 117 // UL 723 Class A // ASTM E 84 Class A
Environment	100% Recyclable and GREENGUARD GOLD Certified LEED v4 Credits and Certification, Declare Label, LBC Red List Free
Abrasion Resistance	25,000 rubs /cycles (tested according to Martindale Method)
Colorfastness to Light	Grade 6/7 – “Excellent” (Passes AATCC 16 / ISO 105-B02:2014)
Colorfastness to Crocking	Wet & Dry – Grade 5 (Passes AATCC 8 / ISO 105-X12: 2016)
Propensity to Surface Fuzzing & Pilling	Grade 5 – “no change” (Passes ISO 12945-2:2002)

SNOWSOUND

SNOWSOUND USA HQ
Snowsound USA
10018 Santa Fe Springs Road
Santa Fe Springs, CA 90670
Tel. 562.903.9550
info@snowsoundusa.com
www.snowsoundusa.com



Declare.

Scan for more products



Hear the difference



LOS ANGELES SHOWROOM
Pacific Design Center
Green Building, Suite G-152
8687 Melrose Ave
West Hollywood, CA 90069

CHICAGO SHOWROOM
222 Merchandise Mart Plaza
Floor 11, Suite 1197
Chicago, IL 60654 USA

NEW YORK SHOWROOM
New York Design Center (NYDC)
200 Lexington Ave
Floor 11, Suite 1106
New York, NY 10016 USA

©2024 Snowsound USA. All rights reserved.
Follow us: @snowsoundusa

