

OVERSIZE CEILING



OVERSIZE CEILING

OVERSIZE CEILING (CEILING SUSPENDED): The OVERSIZE system features large-size acoustic panels crafted with Snowsound® technology. These panels are suspended from the ceiling using a suspension kit, which includes a panel back frame, panel fasteners, aircraft cable, and ceiling plates.

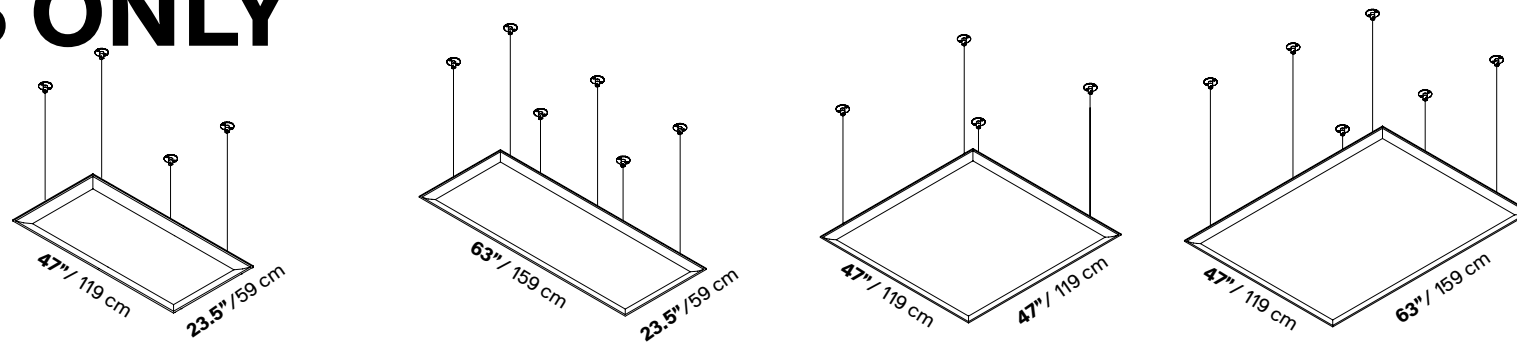
OVERSIZE CEILING (DIRECT FLUSH MOUNTED): The OVERSIZE fixing kit comprises two supports anchored to the ceiling, with the panel fixed directly atop using self-tapping screws. The frame and supports are joined together by an interlocking system.











Specs	Polyester internal padding with Snowsound technology, polyester covering in Trevira CS® fabric
	Single material and 100% recyclable
	Eco friendly – Greenguard Gold
	Durable, tackable double-sided surface
	Patented variable density composition
	Class A sound absorption with NRC 1.0 (ISO 354/ASTM C423/ISO 11654)
	Absorbs 94% of human speech frequencies
	Class A fire and smoke safety (UL 723/ASTM E84)
	CAL 133, 117 pass
	Sleek profile at only 1.4” thick
	Ceiling suspended
Design	Snowsound Lab

OVERSIZE CEILING EASY PANELS ONLY

Call your representative for stock levels and availability



	Color	Part No	Part No	Part No	Part No
	White	40025649	40025002	40025042	40025045
	Silver Gray	40025650	40025001	40025043	40025046
	Charcoal Gray	40025651	40025003	40025082	40025080
	Slate Blue	40025659	40025295	40025299	40025300
	Beige	40025652**	40020055	40025313**	40025314**
	Sun Yellow	40025654**	40020056**	40025316**	40025240**
	Carrot Orange	40025655**	40025006	40025311**	40025241**
	Red	40025656**	40020057	40025315**	40025284**

** Extended lead time

Extended lead time colors require: up to 10–12 weeks

Quick Ship items only show item number without additional notation

For larger swatches & full color options, please refer to pages 32–34.

Panels available in special order colors. Special order colors require:

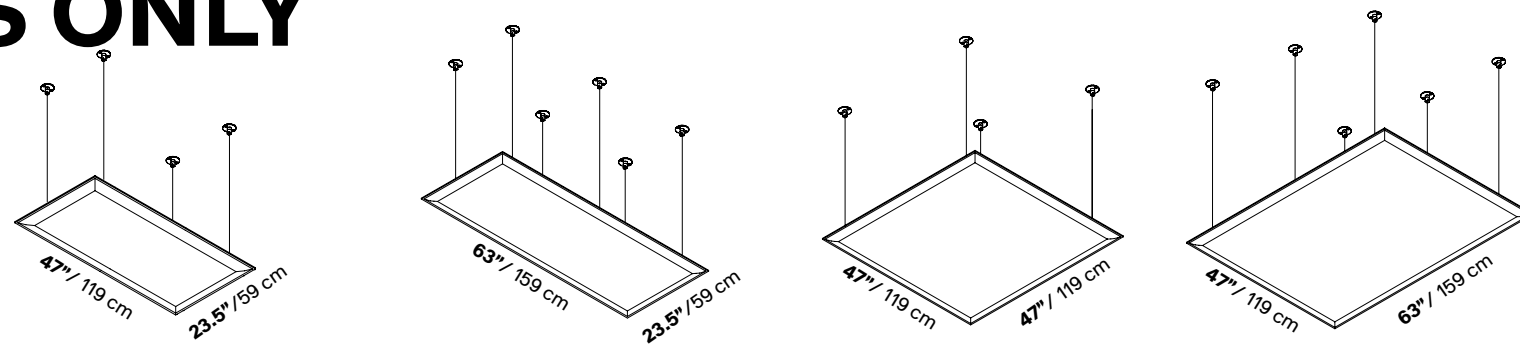
– MOQ varies from size to size







– Lead time up to 14–16 weeks

– +10% Custom service fee

OVERSIZE CEILING EASY PANELS ONLY

Call your representative for stock levels and availability



	Color	Part No	Part No	Part No	Part No
	Rustic Brick	40025658**	40025287**	40025291**	40025292**
	Olive Green	40025657**	40020058	40025318**	40025319**
	Dark Teal	40025660**	40025303**	40025307**	40025308**
	Blue		40025005**		
	Cool White	40025679**	40020664**	40025309**	40025310**
	Black			40025733**	40025734**
		Special Order Color MOQ: 50	Special Order Color MOQ: 50	Special Order Color MOQ: 18	Special Order Color MOQ: 18

** Extended lead time

Extended lead time colors require: up to 10–12 weeks

Quick Ship items only show item number without additional notation

For larger swatches & full color options, please refer to pages 32–34.

Panels available in special order colors. Special order colors require:

– MOQ varies from size to size

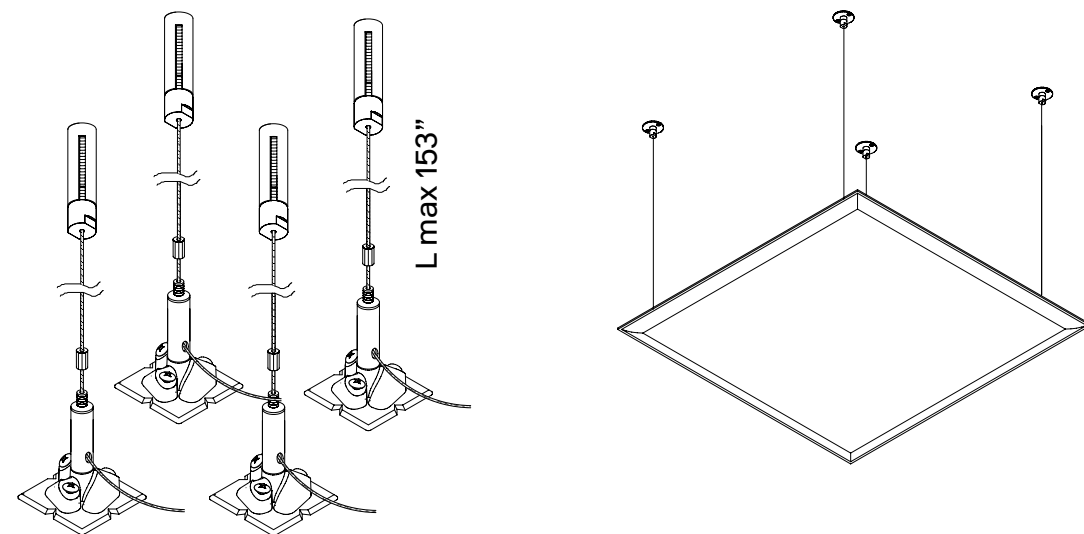
– Lead time up to 14–16 weeks

– +10% Custom service fee

OVERSIZE CEILING EASY HARDWARE

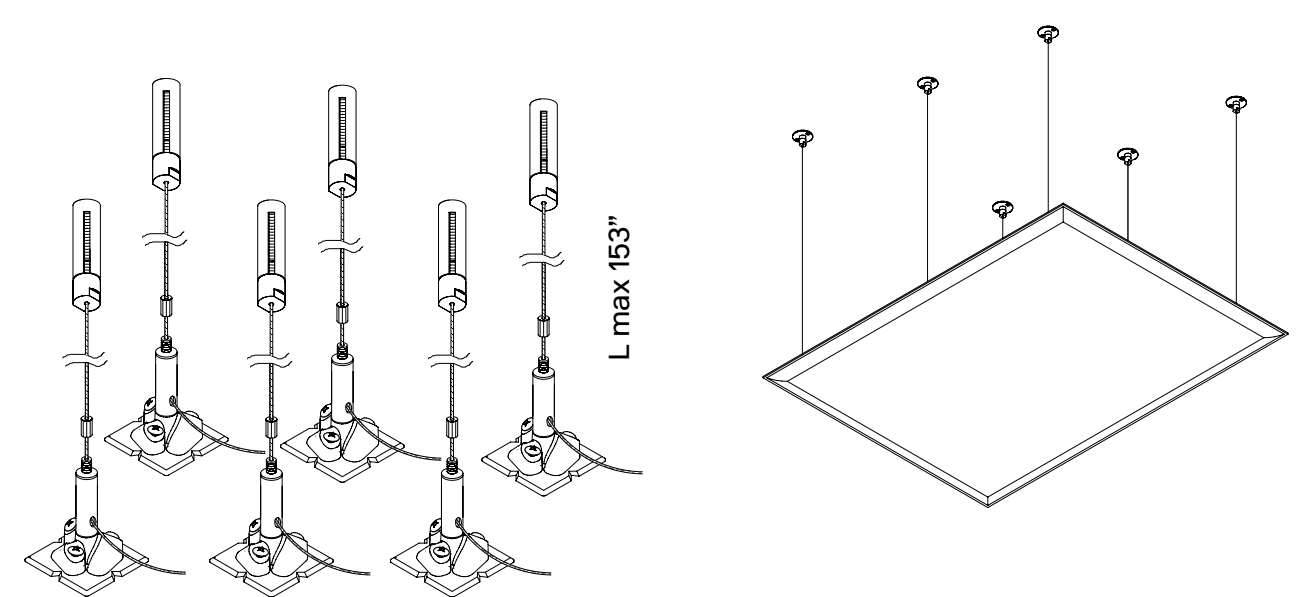
Note, Oversize Ceiling Easy Set of 4 hardware can be used with additionally available panels where the length or width does not exceed 47"

Panels	23.5" x 47" 47" x 47"
Part No	7S376/4-C
QTY	Set of 04
Finish	Steel



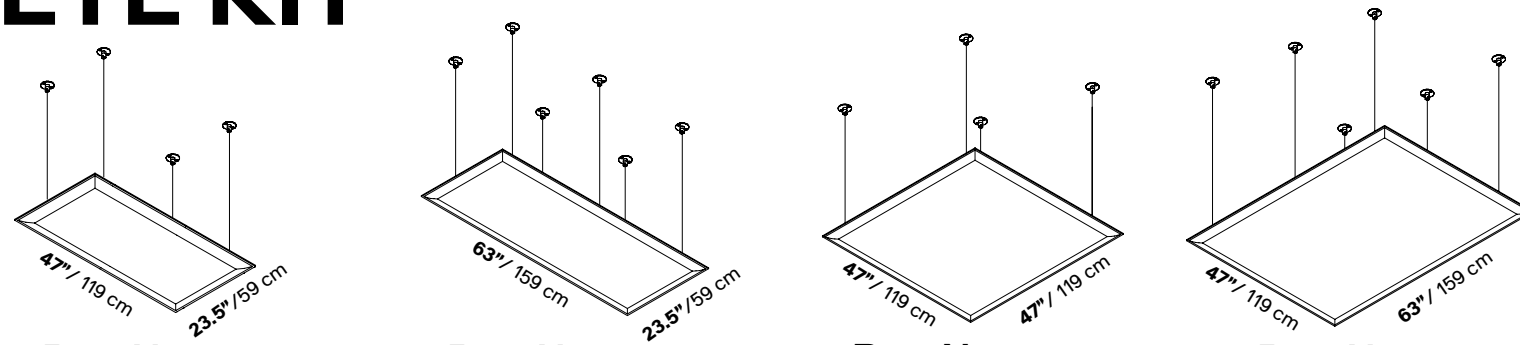
Note, Oversize Ceiling Easy Set of 6 hardware can be used with additionally available panels where the length or width exceeds 47"

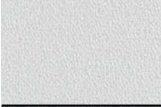








Panels	23.5" x 63" 47" x 63"
Part No	7S376/6-C
QTY	Set of 06
Finish	Steel



OVERSIZE CEILING SUSPENDED COMPLETE KIT

Call your representative for stock levels and availability



	Color	Part No	Part No	Part No	Part No
	White	40025766	40025174	40025054	40025055
	Silver	40025722	40025175	40025059	40025060
	Gray				
	Charcoal Gray	40025774	40025176	40025100	40025097
	Slate Blue	40025776	40025342	40025345	40025354
	Beige	40025768**	40025177	40025349**	40025358**
	Sun Yellow	40025769**	40025179**	40025351**	40025360**
	Carrot Orange	40025773**	40025180	40025348**	40025357**
	Red	40025770**	40025181	40025350**	40025359**

** Extended lead time

Extended lead time colors require: up to 10–12 weeks

Quick Ship items only show item number without additional notation

For larger swatches & full color options, please refer to pages 32–34.

Panels available in special order colors. Special order colors require:

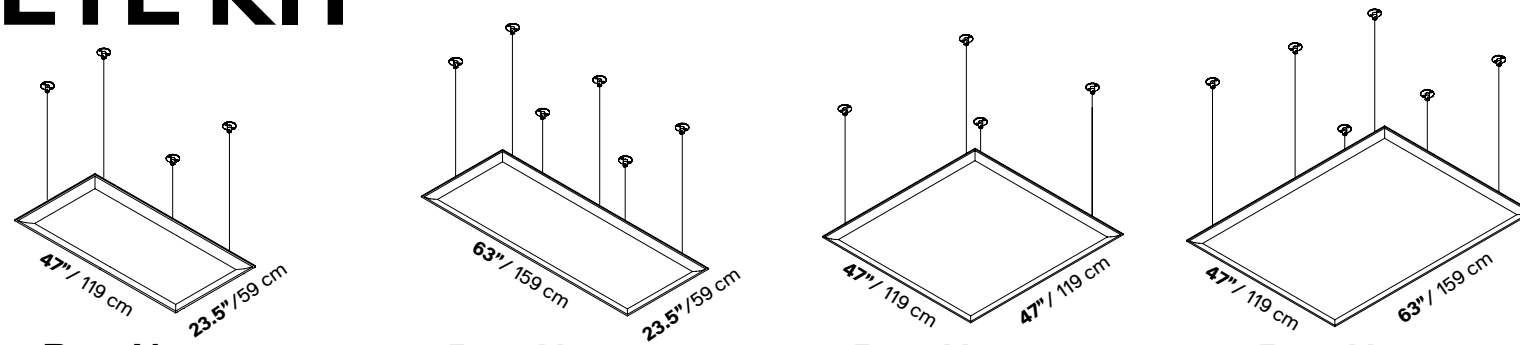
– MOQ varies from size to size







– Lead time up to 14–16 weeks

– +10% Custom service fee

OVERSIZE CEILING SUSPENDED COMPLETE KIT

Call your representative for stock levels and availability



	Color	Part No	Part No	Part No	Part No
	Rustic Brick	40025775**	40025341**	40025344**	40025353**
	Olive Green	40025771**	40025182	40025352**	40025361**
	Dark Teal	40025777**	40025343**	40025346**	40025355**
	Blue		40025184		
	Cool White	40025819**	40025779**	40025347**	40025356**
	Black			40025780**	40025781**
		Special Order Color MOQ: 50	Special Order Color MOQ: 50	Special Order Color MOQ: 18	Special Order Color MOQ: 18

** Extended lead time

Extended lead time colors require: up to 10–12 weeks

Quick Ship items only show item number without additional notation

For larger swatches & full color options, please refer to pages 32–34.

Panels available in special order colors. Special order colors require:

– MOQ varies from size to size

– Lead time up to 14–16 weeks

– +10% Custom service fee

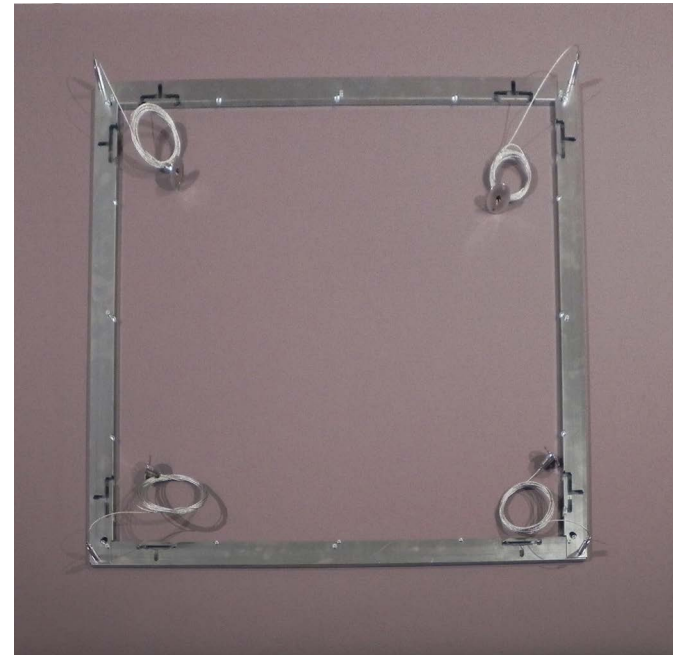
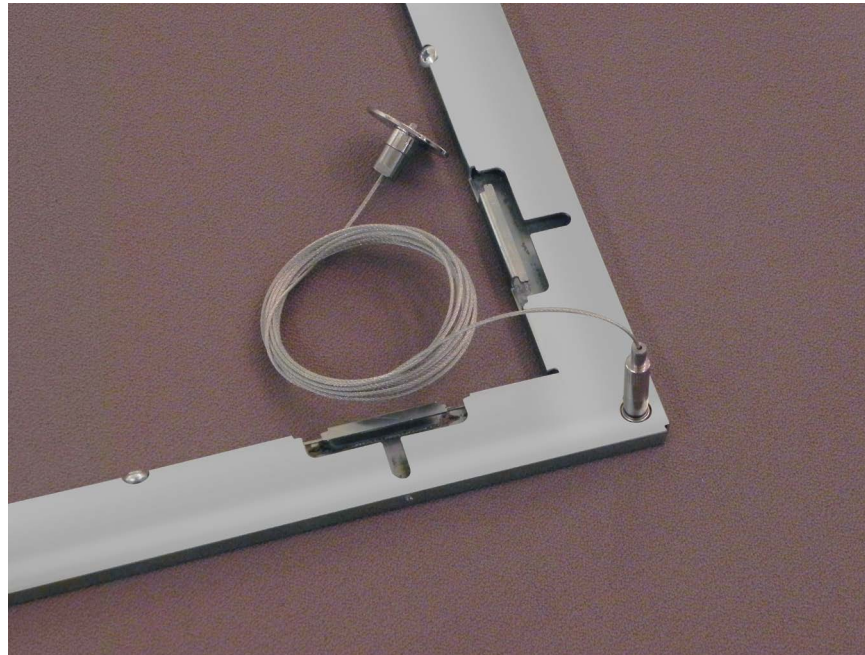
OVERSIZE CEILING SUSPENDED COMPLETE KIT

For direct surface mounting on ceiling.

Kit includes	01 panel
	01 Hanging frame
	04 Cables
	04 Panel fasteners
	04 Ceiling plates
Weight	23.5" x 47": 12 lbs.
	23.5" x 63": 15 lbs.
	47" x 47": 18.5 lbs.
	47" x 63": 23 lbs.

MAXIMUM DROP FROM CEILING: 153"/390 cm

MINIMUM DROP FROM CEILING: 3.5"/9 cm



ø 1.50"/3.81 cm

