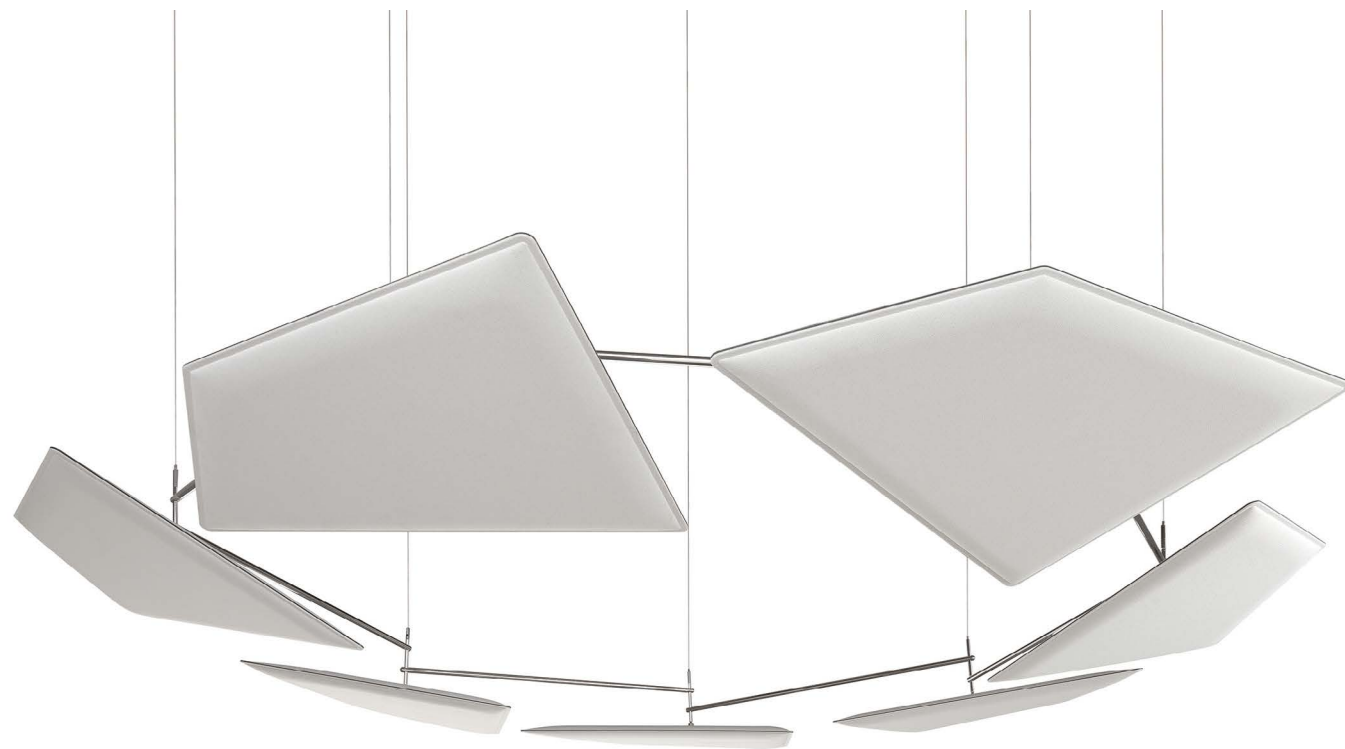


FLAP CHAIN



FLAP CHAIN

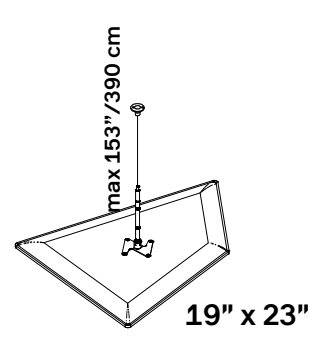
FLAP CHAIN is an infinitely modular ceiling-suspended frame application designed for use with FLAP and FLAP GRANDE panels. Featuring a chrome-plated rod and cable height adjustment system, FLAP CHAIN allows for the suspension of panels in various designs. The application comes equipped with a ceiling fixing kit consisting of a ceiling plate with two holes and steel cable. Panels can be tilted in any direction and can rotate 360 degrees.



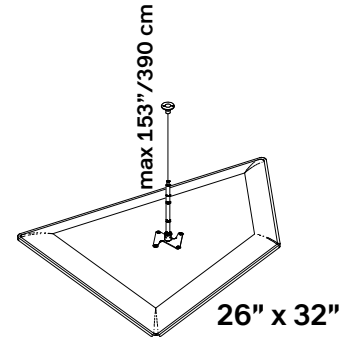
Specs	Polyester internal padding with Snowsound technology, polyester covering in Trevira CS® fabric
	Single material and 100% recyclable
	Eco friendly – Greenguard Gold
	Durable, tackable double-sided surface
	Patented variable density composition
	Class A sound absorption with NRC 1.0 (ISO 354/ASTM C423/ISO 11654)
	Absorbs 94% of human speech frequencies
	Class A fire and smoke safety (UL 723/ASTM E84)
	CAL 133, 117 pass
	Sleek profile at only 1.4” thick
	Ceiling suspended
	CE certified for ceiling application
	Modular
	Tilts and rotates
Design	Alberto and Francesco Meda

FLAP CHAIN COMPLETE SET

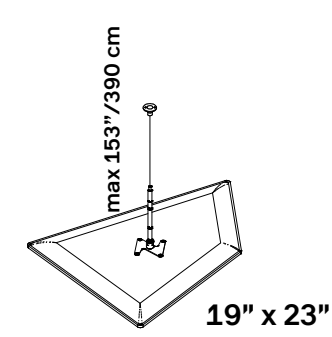
Call your representative for stock levels and availability



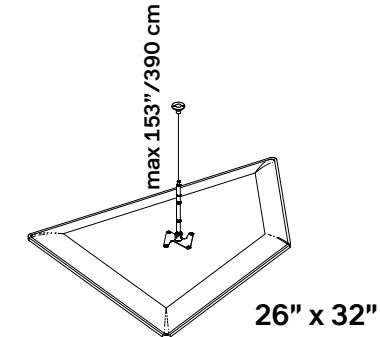
19" x 23"











26" x 32"






19" x 23"



26" x 32"

	Color	Part No	Part No
	White	40023095	40023107
	Silver Gray	40023096	40023108
	Charcoal Gray	40023105	40023117
	Beige	40023097	40023109
	Sun Yellow	40023098	40023110
	Carrot Orange	40023099	40023111
	Red	40023100	40023112
	Olive Green	40023106	40023118

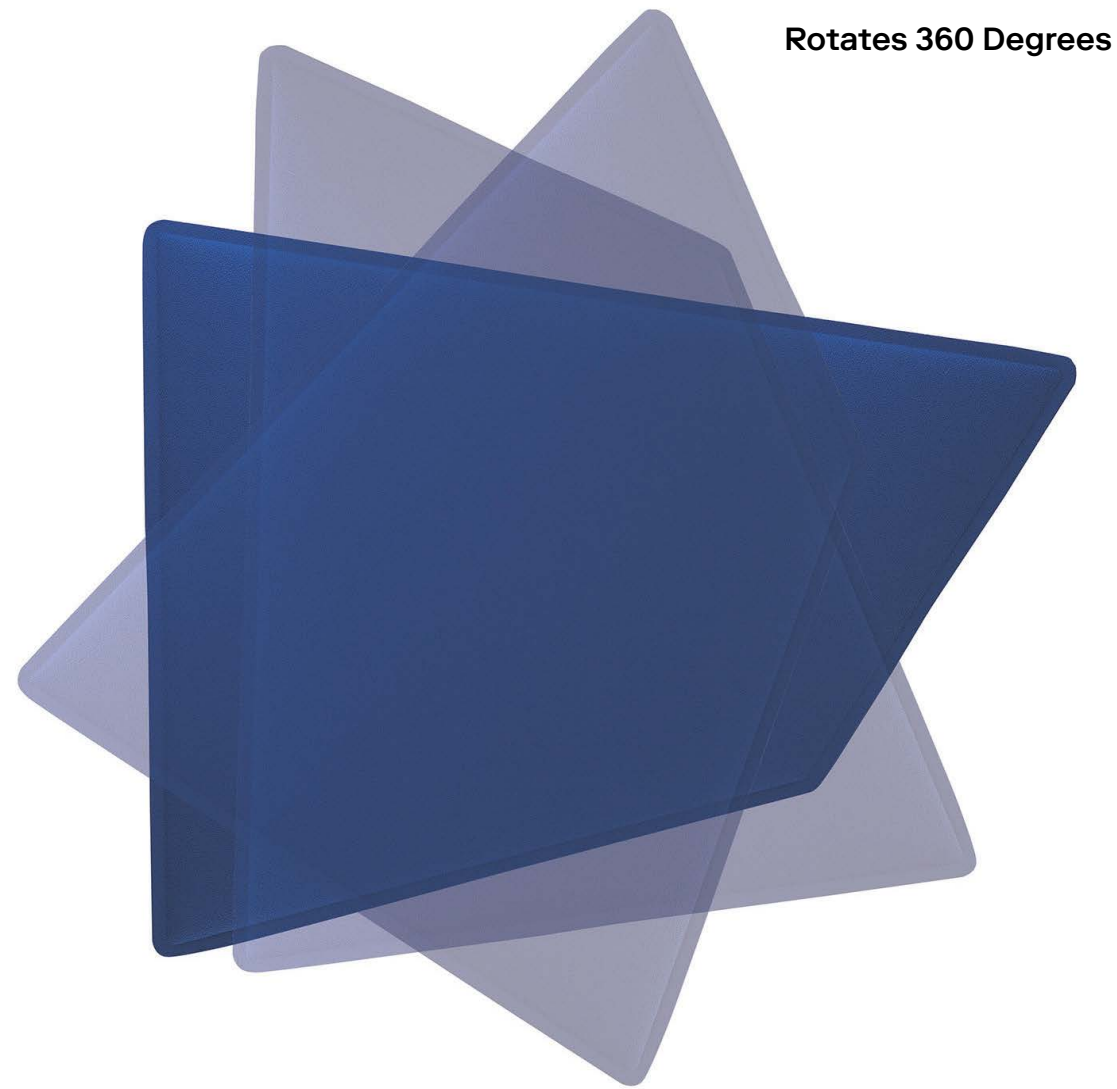
	Color	Part No	Part No
	Apple Green	40023101	40023113
	Blue	40023102	40023114
	Black	40023103	40023115
		Special Order Color MOQ: 80	Special Order Color MOQ: 60

For larger swatches & full color options, please refer to pages 32–34.
Quick Ship items only show item number without additional notation
Panels available in special order colors.

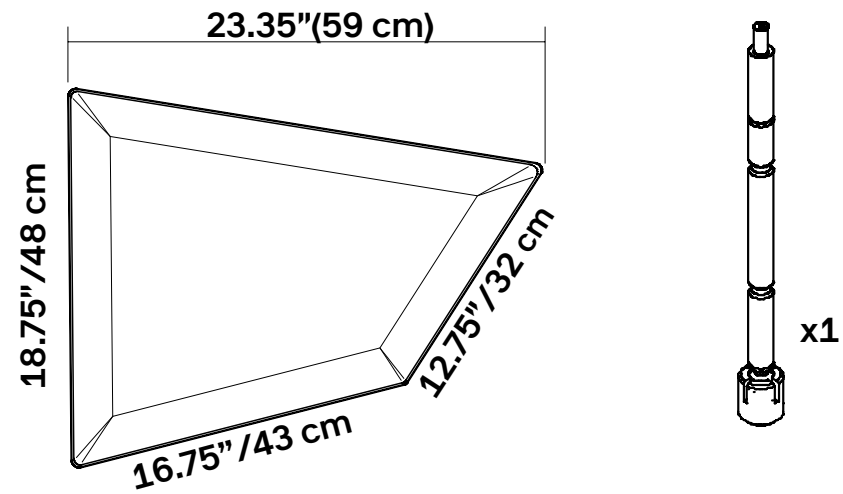
Special order colors require:
– MOQ varies from size to size
– Lead time up to 14–16 weeks
– +10% Custom service fee

FLAP CHAIN COMPLETE SET

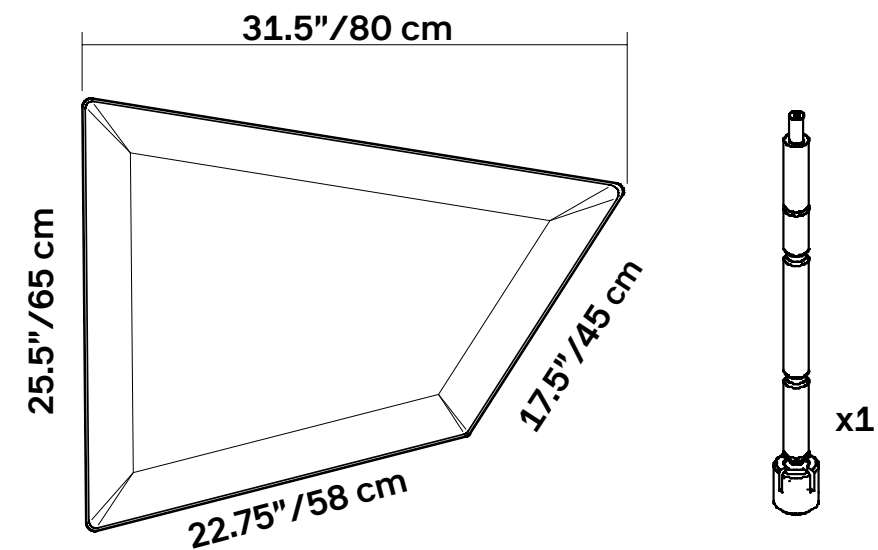
Kit includes	01 Panel
	01 Cable
	01 Ceiling plate
	01 7.8"/20cm arm



Flap Chain 19" x 23"
Weight: 2.26 lbs



Flap Chain 26" x 32"
Weight: 3.5 lbs

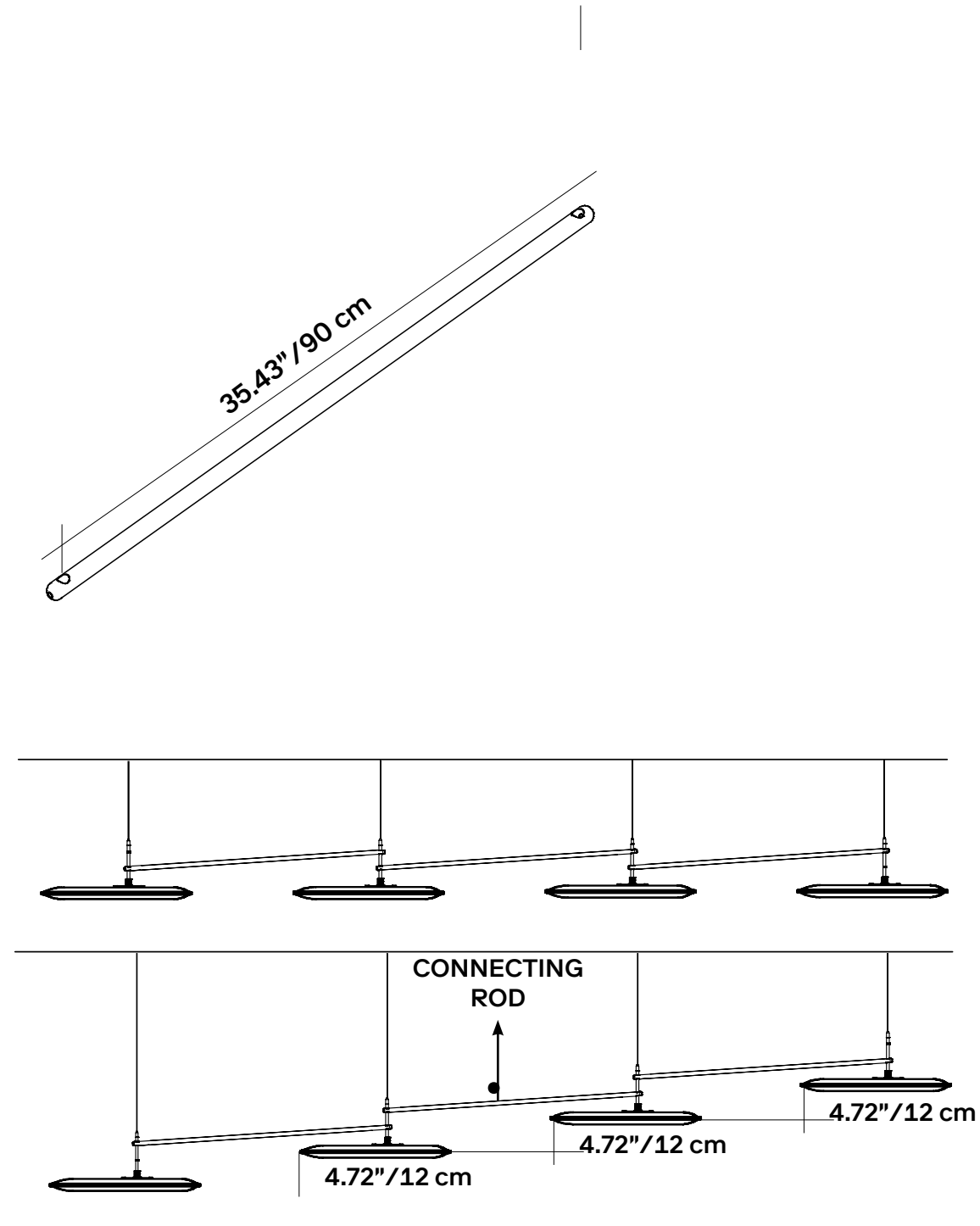


STEEL CONNECTING ROD

FLAP LED KIT - 4 LIGHT PACK

Led back lighting system for Flap and Flap Grande

Panel size	Both Sizes
Part No	40025161
QTY	01 Rod
Finish	Chrome Plated



NOTE: Flap Chain arrangement is compatible with both FLAP sizes: Standard and Grande. Panels on the chain system can be mixed with both sizes or all the same.

FLAP CHAIN TYPICALS

