

SNOWSOUND



SNOWSOUND FLAP LED

Below are general guidelines to install the Snowsound FLAP LED system; local professional electricians must make final best determination for install.

****Be sure to check with your local municipalities for electrical code requirements****

The round “Hub” houses the LED Driver that connects to existing electrical power

Power:

This LED unit is designed to be hard-wired (the kit is designed for a power source to connect directly to the Driver). Note each Snowsound FLAP LED light module has a transformer. A hard wire power source (120V) is required for each Snowsound FLAP LED module.

What is included with each Snowsound Flap LED?:

Light kit with LED driver and the power receiver box

The electrician should be making the final connection and supplying the power source wires.

Cord Length: 5'-0”

Reference images on next page:

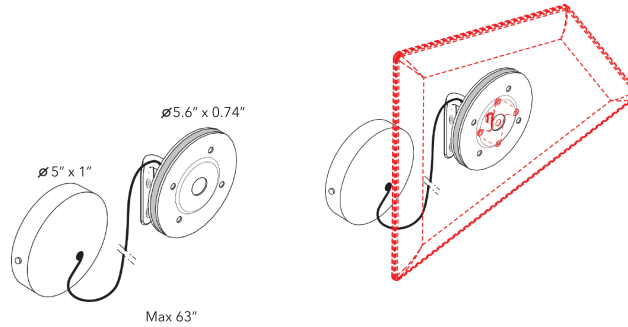
**10018 Santa Fe Springs Road
Santa Fe Springs
CA 90670**

SNOWSOUND

TECHNICAL SPECS:

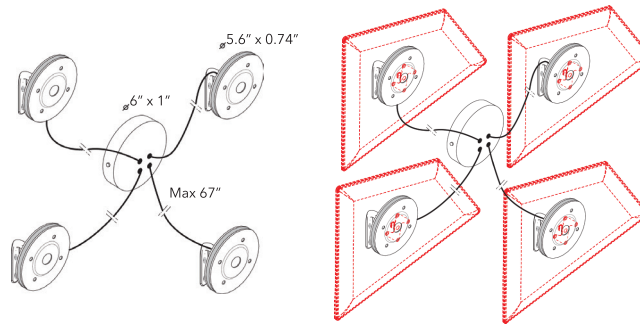
	PART #	QTY
FLAP LED - SINGLE LIGHT	40025093	1

- LED 24V.5.6W
- AWM 2464#, 20AWG, 80°C, 300V x 6.5'
- INPUT: AC 100-240V, 50/60Hz, 230mA
- OUTPUT: DC 24V, 0.42A
- Chip Brand: AAA
- Lumens 550
- Color Temperature: 3000K

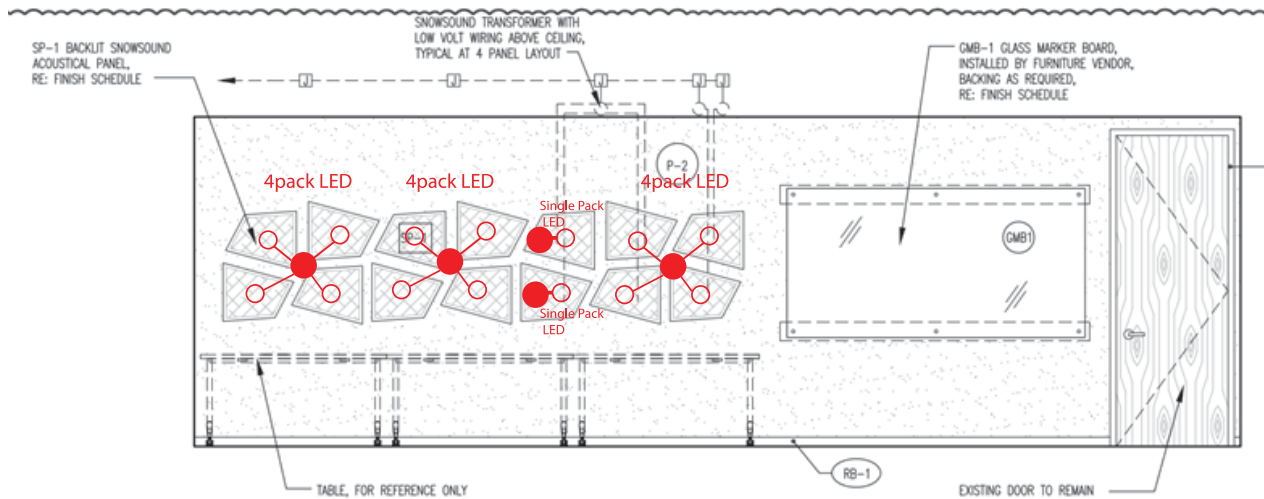


	PART #	QTY
FLAP LED - 4 LIGHT PACK	40025092	1

- 4 LED 24V.5.6W
- AWM 2464#, 20AWG, 80°C, 300V x 6.5'
- INPUT: AC 100-240V, 50/60Hz, 230mA
- OUTPUT: DC 24V, 0.42A
- Chip Brand: AAA
- Lumens 550
- Color Temperature: 3000K



Actual project diagram using Flap LED Light. (finished installation on last page).



10018 Santa Fe Springs Road
 Santa Fe Springs
 CA 90670

SNOWSOUND

INSTALL INSTRUCTIONS

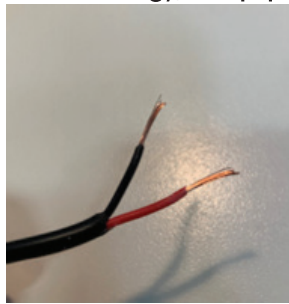
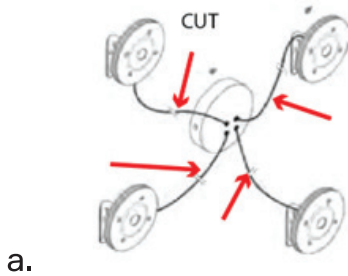
FOR ELECTRICAL WIRES **NOT** VISIBLE ON EXTERIOR OF WALL/CEILING

If you'd like to install the FLAP LED system so wires are concealed behind the wall, then refer to the following steps:

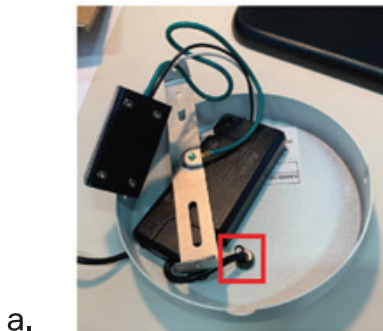
1. Disassemble circular cover from other electrical components by following the steps below:
 - a. Remove the wall mounting bracket by removing two screws located on outer rim of metal circular cover.



2. Depending on the length needed to run FLAP LED power wires behind wall, cut wires at appropriate length (approx. 7" from housing); strip plastic to expose copper wire ends



3. Remove plastic stopper and then pull wire out by following these steps:



10018 Santa Fe Springs Road
Santa Fe Springs
CA 90670

SNOWSOUND

INSTALL INSTRUCTIONS

FOR ELECTRICAL WIRES **NOT** VISIBLE ON EXTERIOR OF WALL/CEILING

- b. Rotate plastic stopper 90 degrees and push gently but firmly from back towards front face of circular cover using flat head screwdriver. Plastic stopper should push through oblong shaped hole in circular housing
- c. Once plastic stopper is pushed through, remove and discard plastic stopper. Circular housing will now be free from wires as shown:



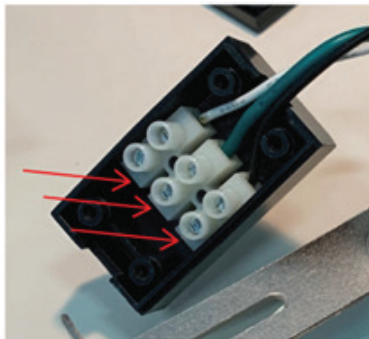
- d. Single FLAP LED version shown above. Same applies with 4-FLAP LED unit

4. Locate small Black Box and remove cover by unscrewing the four screws located on each corner of the Black Box.



a.

5. Connect power source by inserting wires into power box, then close cover using four screws



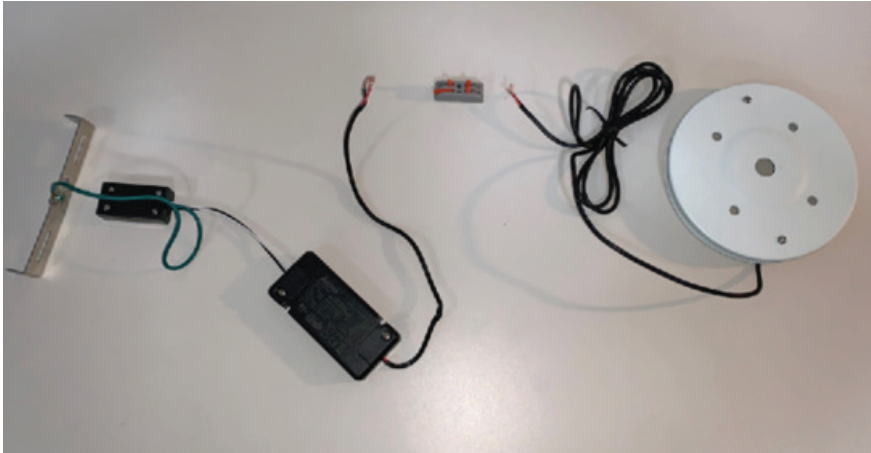
10018 Santa Fe Springs Road
Santa Fe Springs
CA 90670

SNOWSOUND

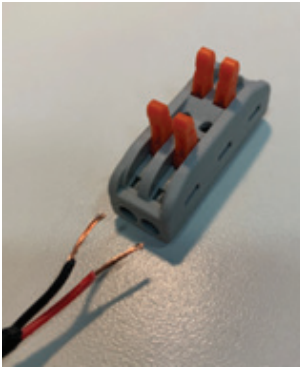
INSTALL INSTRUCTIONS

FOR ELECTRICAL WIRES **NOT** VISIBLE ON EXTERIOR OF WALL/CEILING

6. Run wires from LED Circular light behind wall and run to corresponding wire that was previously cut. Using included wire connector, connect wires appropriately.



a.



b.



c.

10018 Santa Fe Springs Road
Santa Fe Springs
CA 90670

SNOWSOUND

INSTALL INSTRUCTIONS

FOR ELECTRICAL WIRES **NOT** VISIBLE ON EXTERIOR OF WALL/CEILING

7. Fasten wall mounting bracket (shown below) onto wall over junction box.



a.

8. Push all wires into junction box and place circular cover over junction box onto wall bracket and fasten with two screws included with your FLAP LED unit.

Example image of prepared wall for FLAP LED Install:



10018 Santa Fe Springs Road
Santa Fe Springs
CA 90670

SNOWSOUND

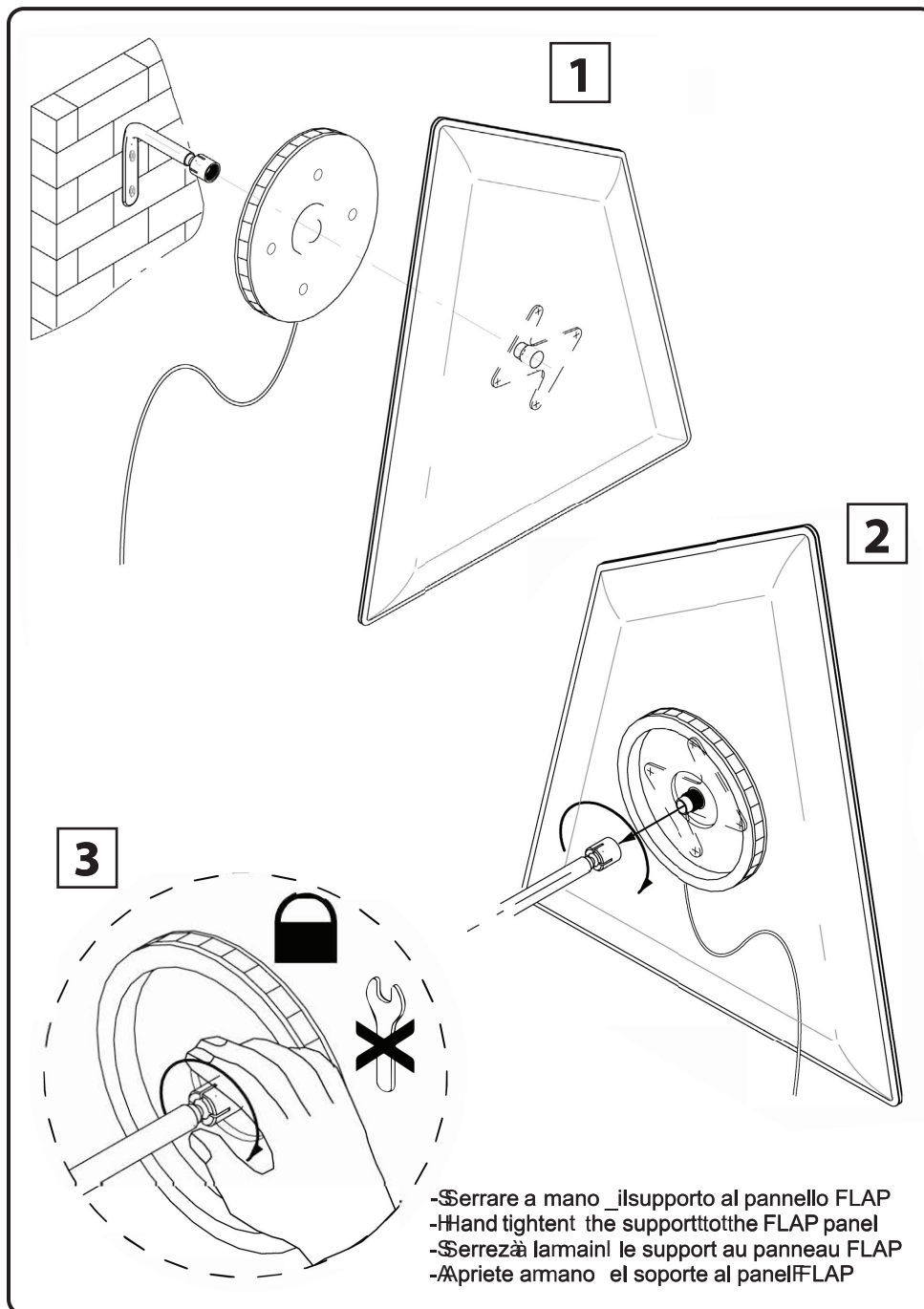
LED LIGHT ASSEMBLY TO PANEL:

SNOWSOUND[®]
Acoustic Panels & Fibers

FLAP LED - 4 Lights
FLAP LED Single Light
Distributed by Snowsound USA

40025092

40025093



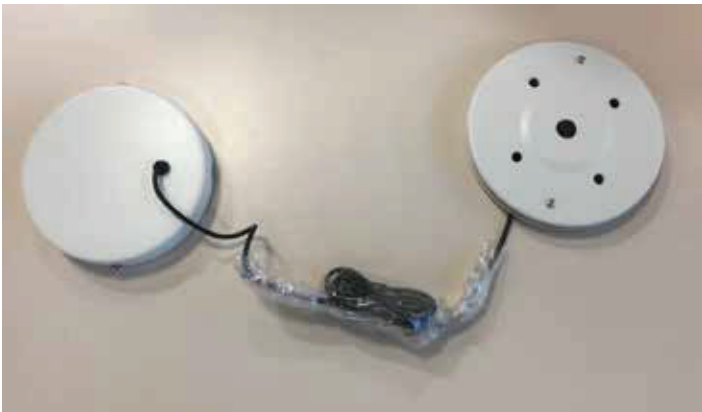
10018 Santa Fe Springs Road
Santa Fe Springs
CA 90670

snowsoundusa.com

SNOWSOUND

PRODUCT IMAGES

FLAP LED Single Light Unit

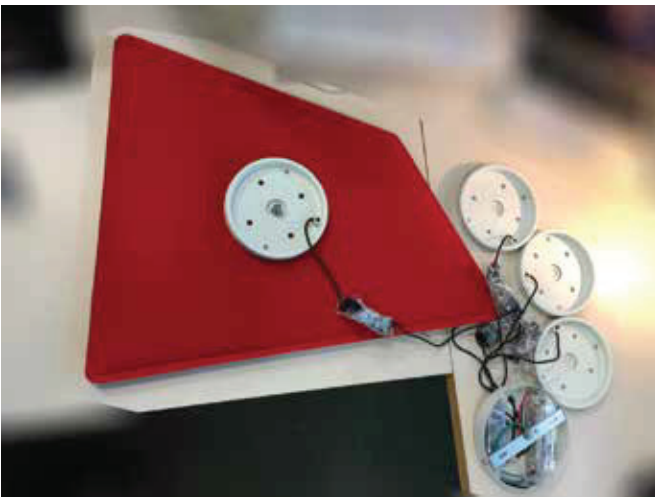
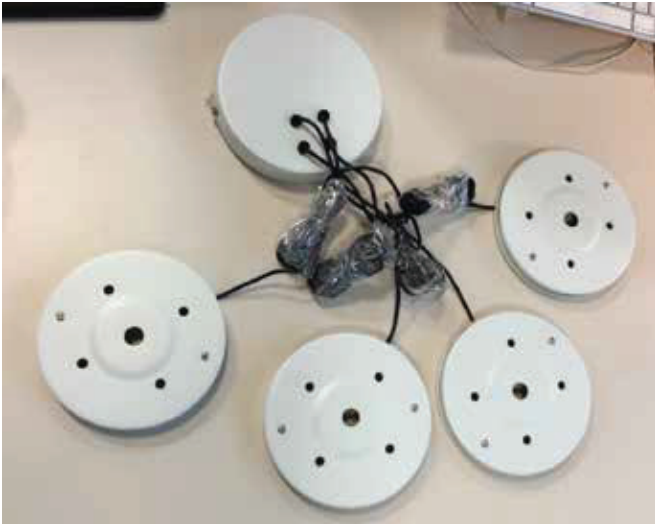


10018 Santa Fe Springs Road
Santa Fe Springs
CA 90670

SNOWSOUND

PRODUCT IMAGES

FLAP LED 4 Light Pack

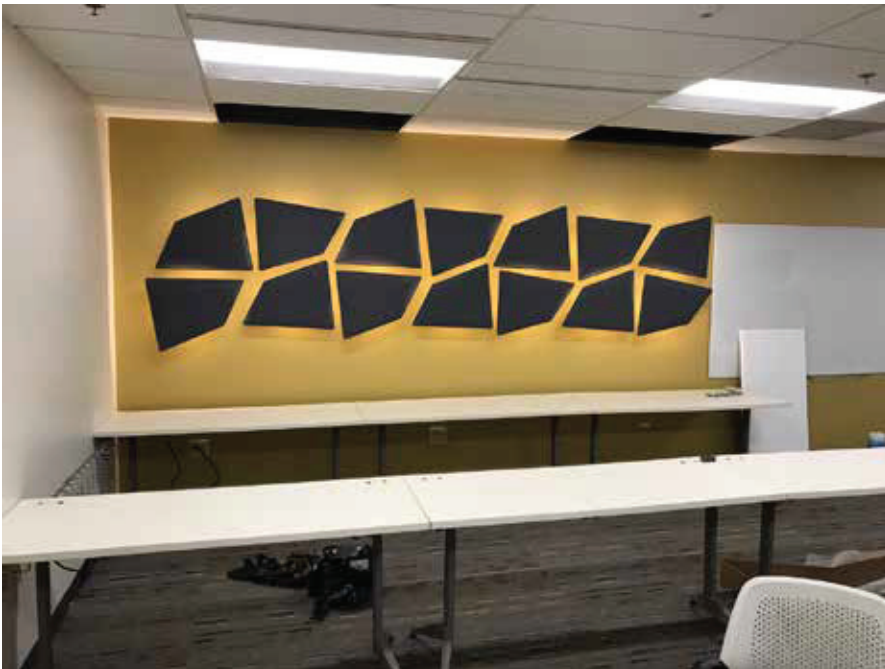


10018 Santa Fe Springs Road
Santa Fe Springs
CA 90670

snowsoundusa.com

SNOWSOUND

REFERENCE INSTALLATION IMAGES



10018 Santa Fe Springs Road
Santa Fe Springs
CA 90670