

MITESCO



MITESCO

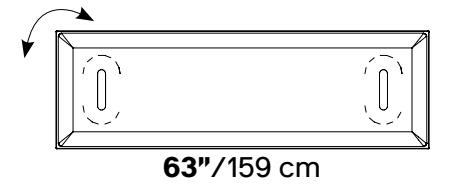
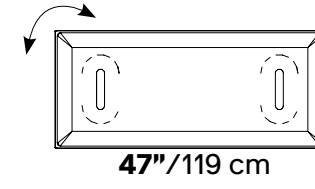
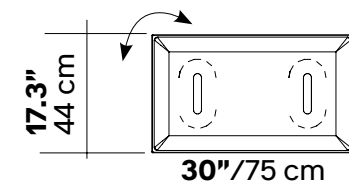
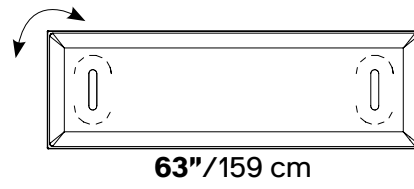
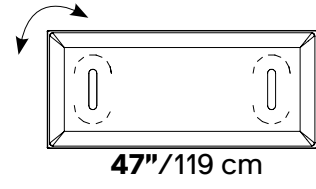
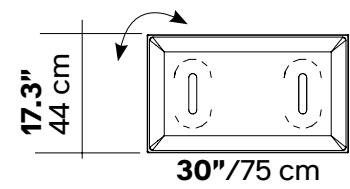


The MITESCO panel features polyester internal padding with Snowsound® Technology variable density and is covered in Trevira CS® fabric. It can be directly fixed to the wall using screws (not included) or applied in various other ways using the range of mounting hardware options (see pages 53 to 59).

Specs	Polyester internal padding with Snowsound technology, polyester covering in Trevira CS® fabric
	Single material and 100% recyclable
	Eco friendly – Greenguard Gold
	Durable, tackable double-sided surface
	Patented variable density composition
	Class A sound absorption with NRC 1.0 (ISO 354/ASTM C423/ISO 11654)
	Absorbs 94% of human speech frequencies
	Class A fire and smoke safety (UL 723/ASTM E84)
	CAL 133, 117 pass
	leek profile at only 1.4” thick
	Ceiling suspended
	Ceiling mounted/Wall mounted/Freestanding
Design	Michele De Lucchi

MITESCO PANELS

Call your representative for stock levels and availability



Color	Part No	Part No	Part No
White	40020027	40020018	40020007
Silver	40020028	40020019	40020008
Gray			
Charcoal	40020046	40020040	40020039
Gray			
Beige	40020029**	40020020	40020009
Dove			40020038
Gray			
Sun	40020030**	40020021**	40020010
Yellow			
Carrot	40020031**	40020022**	40020011
Orange			
Red	40020032**	40020023	40020012
Olive	40020044**	40020042**	40020041
Green			

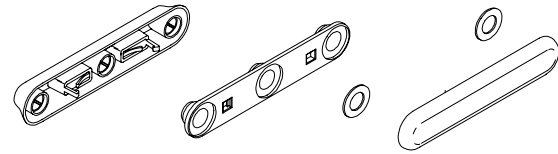
Color	Part No	Part No	Part No
Apple Green			40020013
Blue	40020034**	40020025**	40020014
Black	40020035**	40020026**	40020015
	Special Order Color MOQ: 70	Special Order Color MOQ: 60	Special Order Color MOQ: 50











** Extended lead time
 Extended lead time colors require: up to 10–12 weeks
 For larger swatches & full color options, please refer to pages 32–34.

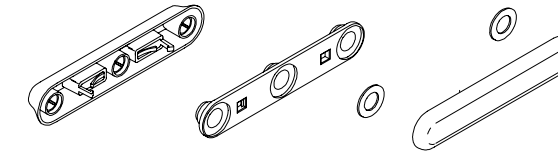
Panels available in special order colors. Special order colors require:
 – MOQ varies from size to size
 – Lead time up to 14–16 weeks
 – +10% Custom service fee




PANEL CONNECTION BRACKETS AND CAPS

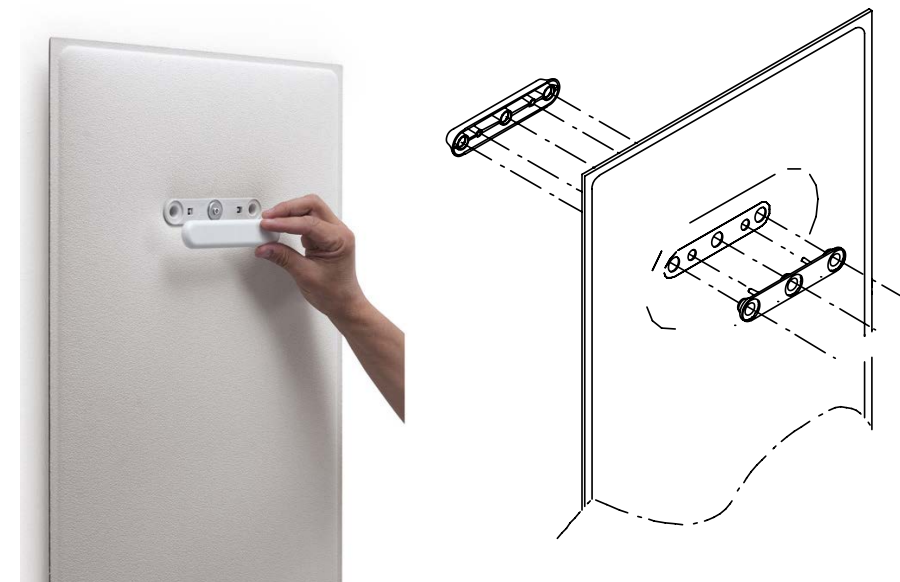
Call your representative for stock levels and availability



	Color	Part No
	White	40021151
	Silver	40047033
	Gray	
	Charcoal	40047027
	Beige	40047021
	Dove Gray	40047028
	Sun Yellow	40047034
	Carrot Orange	40047031
	Red	40047032
	Olive Green	40021107



	Color	Part No
	Apple Green	40047029
	Blue	40047025
	Black	40047024
	Special Order Color	MOQ: 70



Set of connection brackets and front caps to be used when mounting MITESCO panels. Complete kit, qty (1) per panel specified. (Screws not included).

Connection brackets to be used for all MITESCO panels. *Not needed for MITESCO desk options.

MITESCO WALL / CEILING

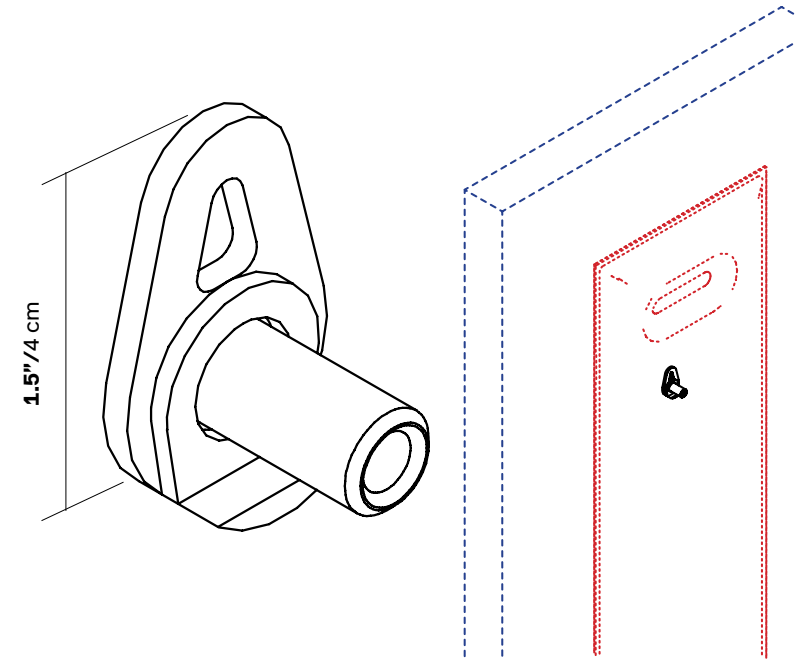
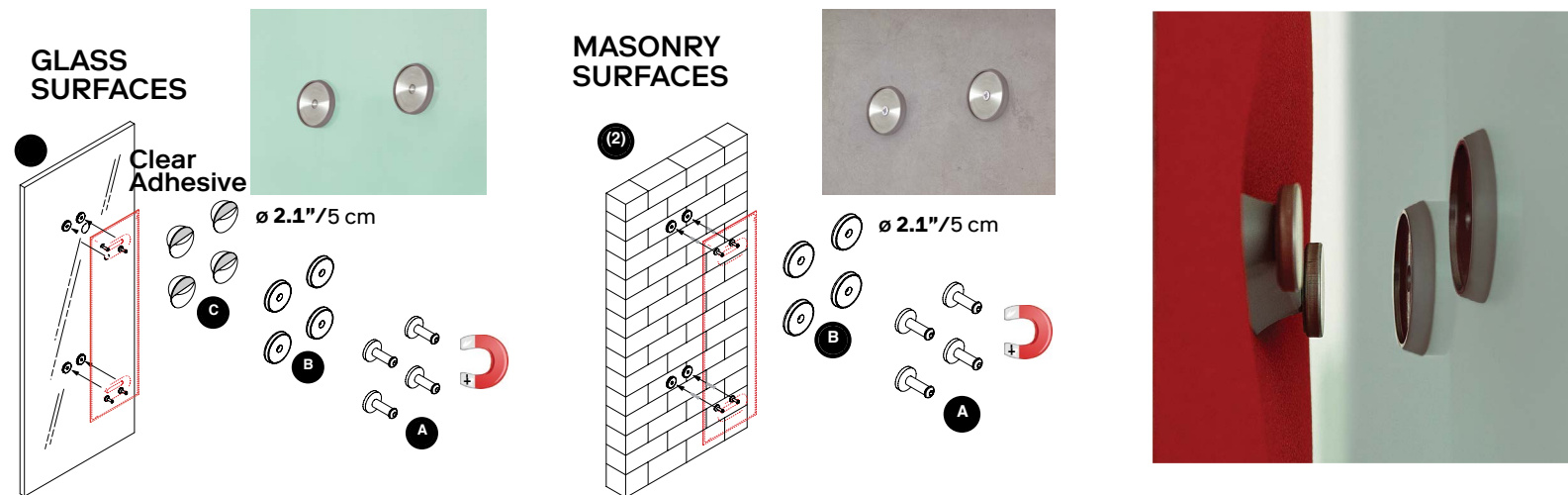
MAGNETIC WALL FIXING KIT - HARDWARE ONLY

Panel Size	Fits all 3 sizes
Part No	40021049
QTY	01 Set
Finish	Silver Gray

Kit Includes	04 Magnets
	04 Steel polished steel plates
	04 double-sided clear adhesive tape discs

WALL HANGING - OPTIONAL

Panel Size	Fits all 3 sizes
Part No	40021029
QTY	01
Finish	Silver Gray



Please specify panel connection brackets and caps separately on page 157.

* For ultimate bond allow 24 hours for adhesive tape to cure before attaching panels to glass mounted plates.

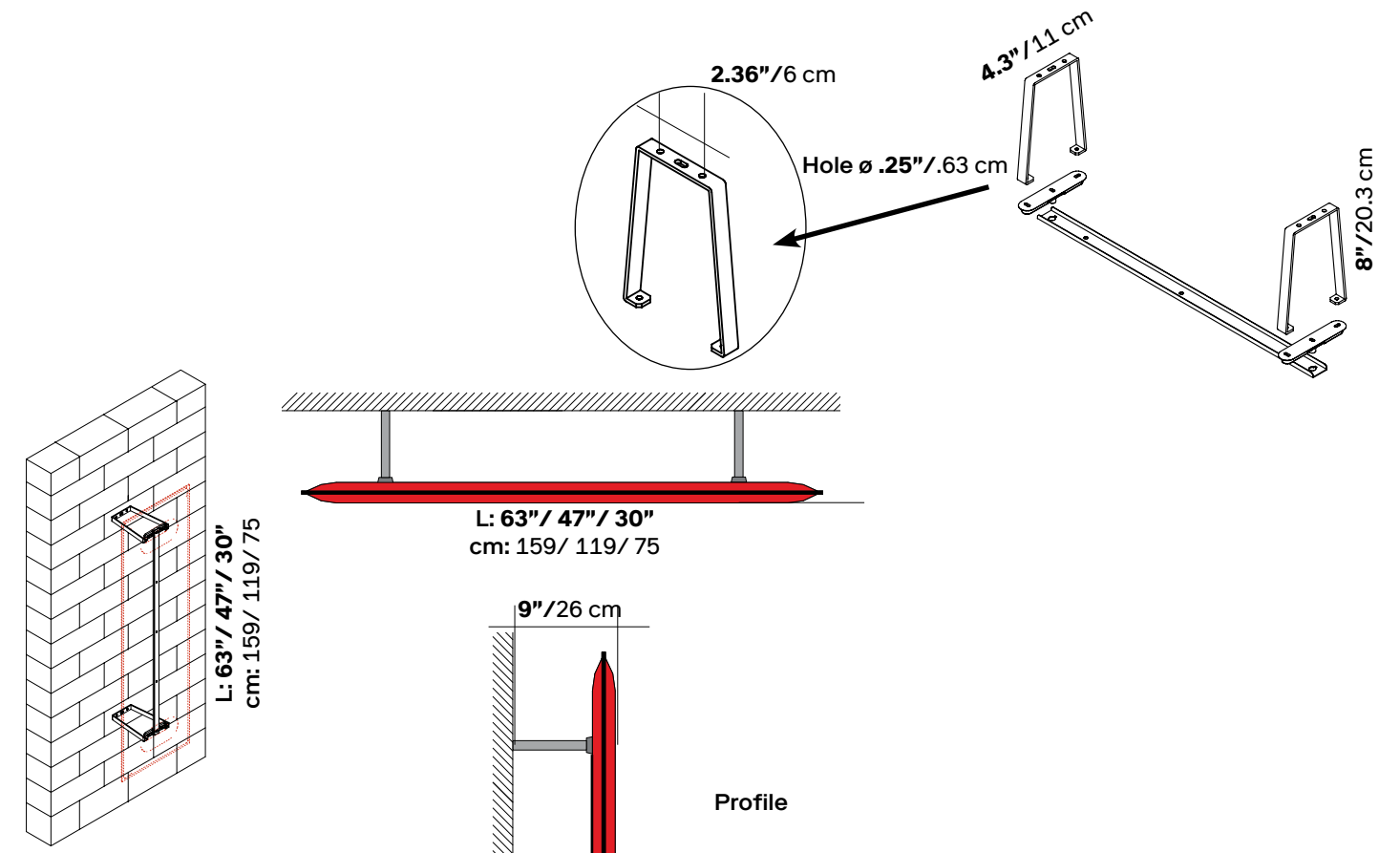
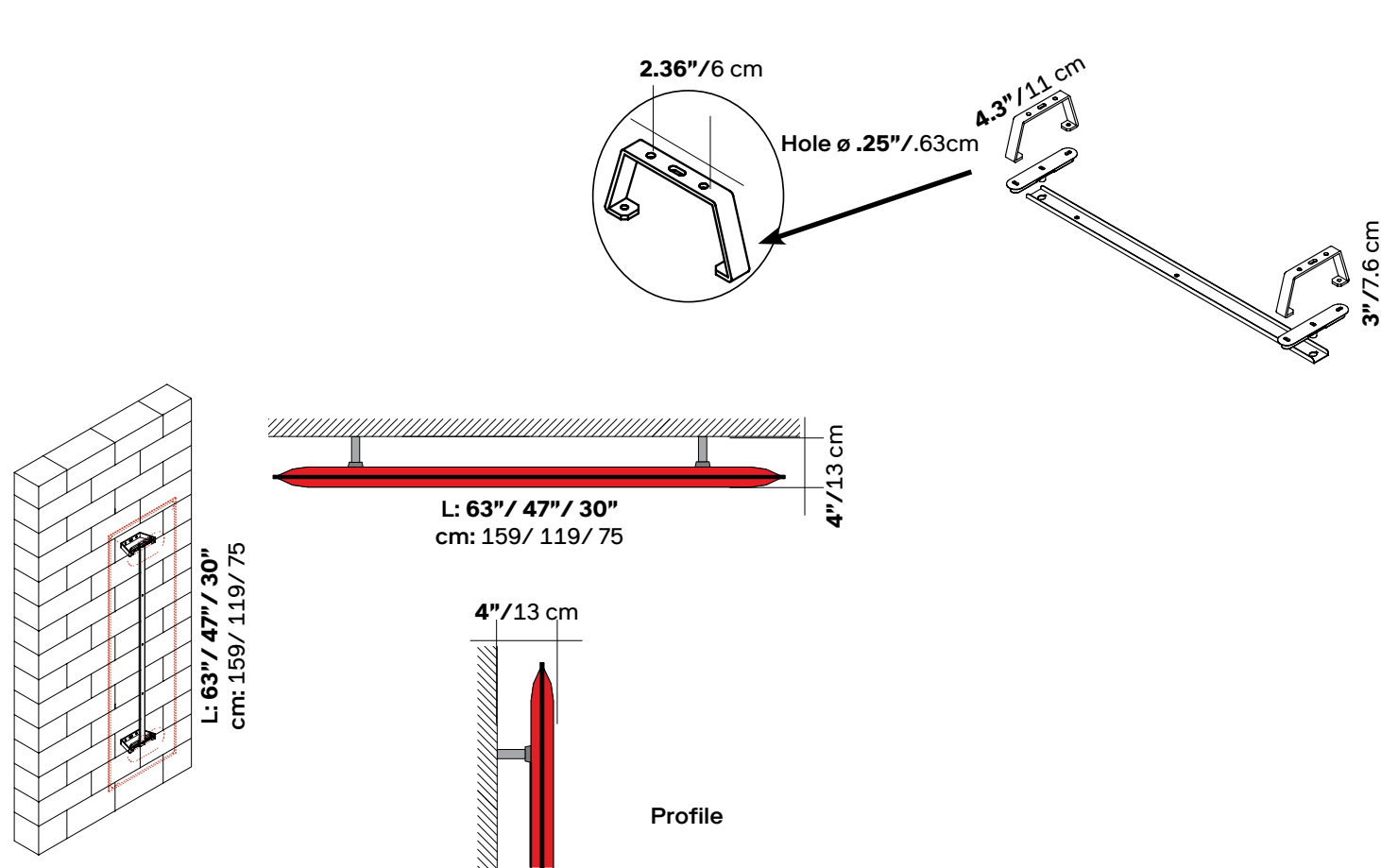
MITESCO WALL / CEILING

3" WALL/CEILING SPACER KIT - HARDWARE ONLY

Panel Size	63"/159cm	47"/119cm	30"/75cm
Part No	40021033	40021032	40021031
QTY	01	01	01
Finish	Silver Gray	Silver Gray	Silver Gray

8" WALL/CEILING SPACER KIT - HARDWARE ONLY

Panel Size	63"/159cm	47"/119cm	30"/75cm
Part No	40021036	40021035	40021034
QTY	01	01	01
Finish	Silver Gray	Silver Gray	Silver Gray

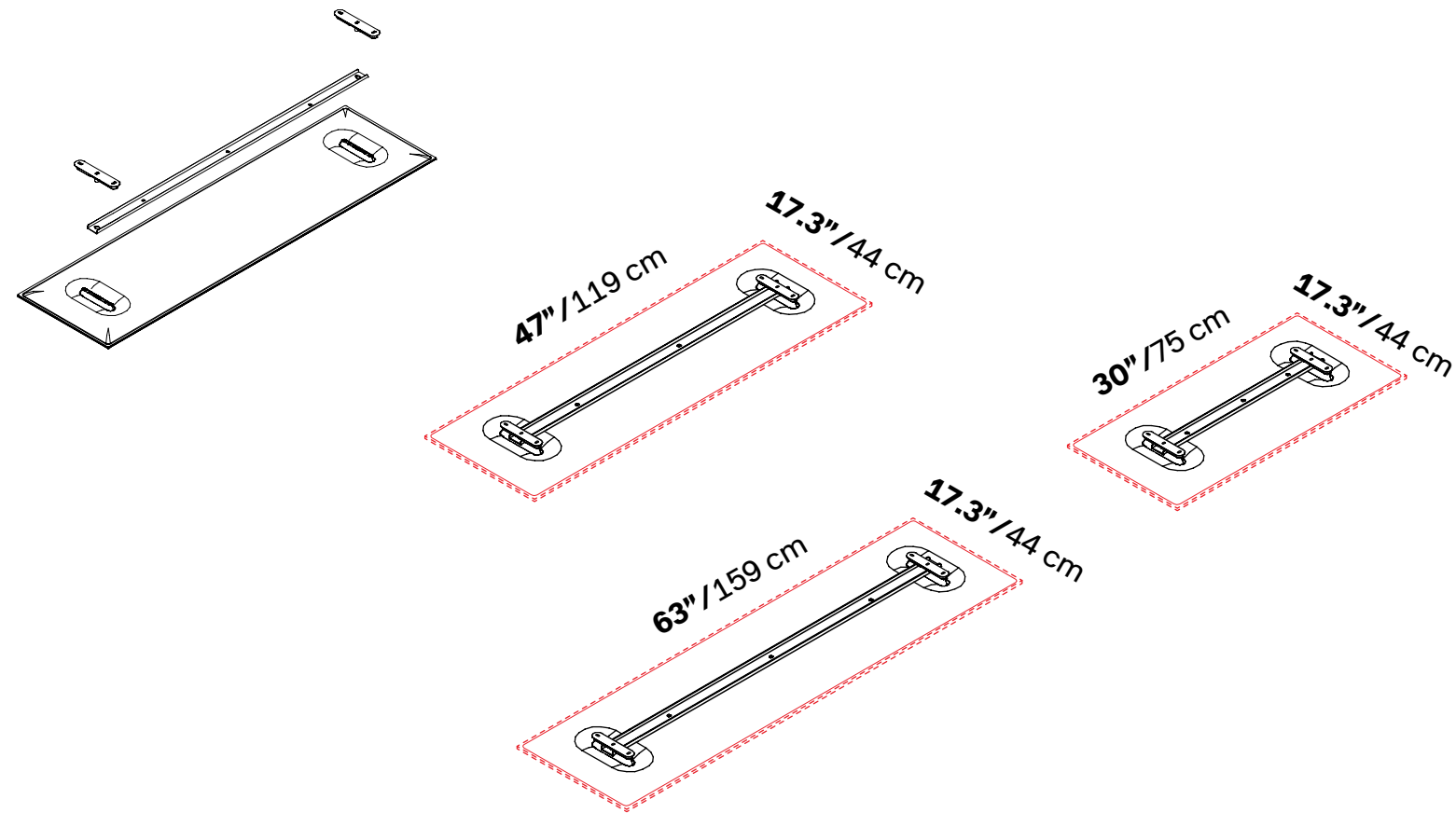


Please specify panel connection brackets and caps separately on page 157.

MITESCO WALL / CEILING

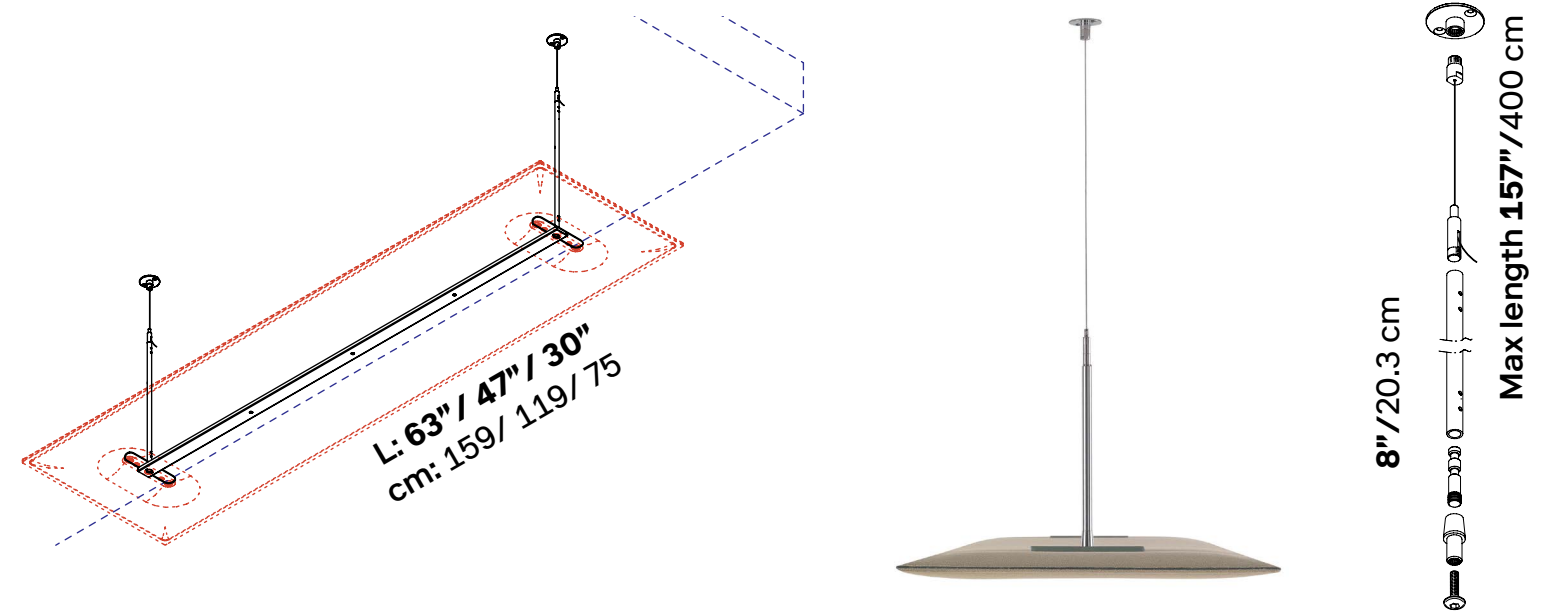
FLAT CEILING SUPPORT SPINE - HARDWARE ONLY

Panel Size	63"/159cm	47"/119cm	30"/75cm
Part No	40021123	40021124	40021125
QTY	01	01	01
Finish	Silver Gray	Silver Gray	Silver Gray



CEILING SUSPENDED KIT - HARDWARE ONLY

Panel Size	63"/159cm	47"/119cm	30"/75cm
Part No	40021116	40021117	40021118
QTY	01	01	01
Finish	Silver Gray	Silver Gray	Silver Gray
Weight	10.8 lbs.	7.7 lbs	3.9 lbs.



Please specify panel connection brackets and caps separately on page 157.