

CLASP DIVIDER



CLASP DIVIDER

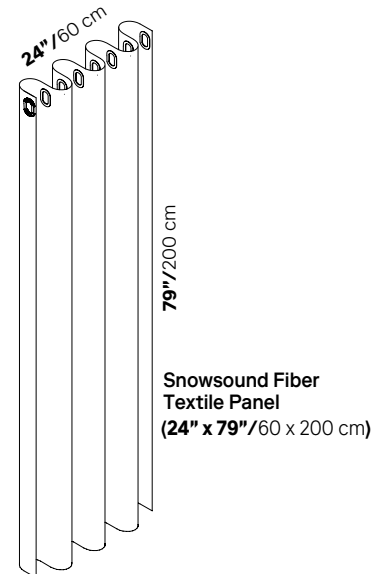
In the CLASP DIVIDER, the Snowsound Fiber acoustic textiles is placed on a modular structure made of chromed metal suspended on cables with a height adjustment system. Thanks to the metal joints the structure is freely configurable and allows infinite compositions. The fabric slipcover is removable.








Specs	Single material and 100% recyclable
	Eco friendly – Greenguard Gold
	Class A sound absorption with (ISO 354)
	Machine washable up to 140 degrees F.
	NRC up to .90
	Fiber 1 Color antimicrobial textile
	Class A fire and smoke safety (UL 723/ASTM E84)
	CAL 133, 117 pass
	Ceiling suspended
	CE certified for ceiling application
Design	Annalisa Dominoni & Benedetto Quaquari

CLASP DIVIDER TEXTILE PANEL

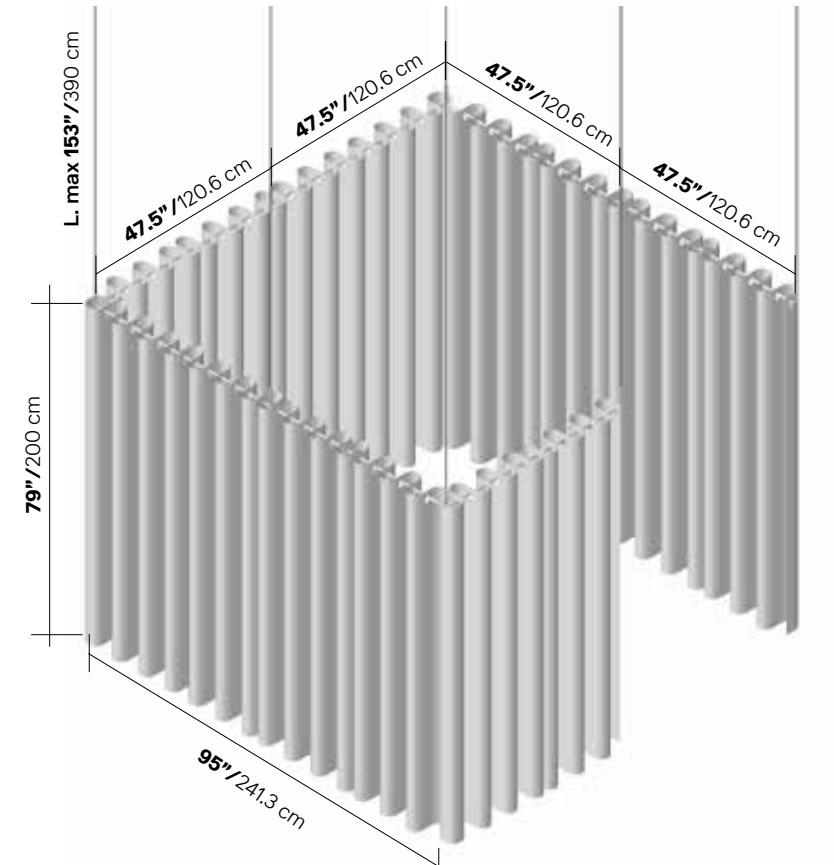
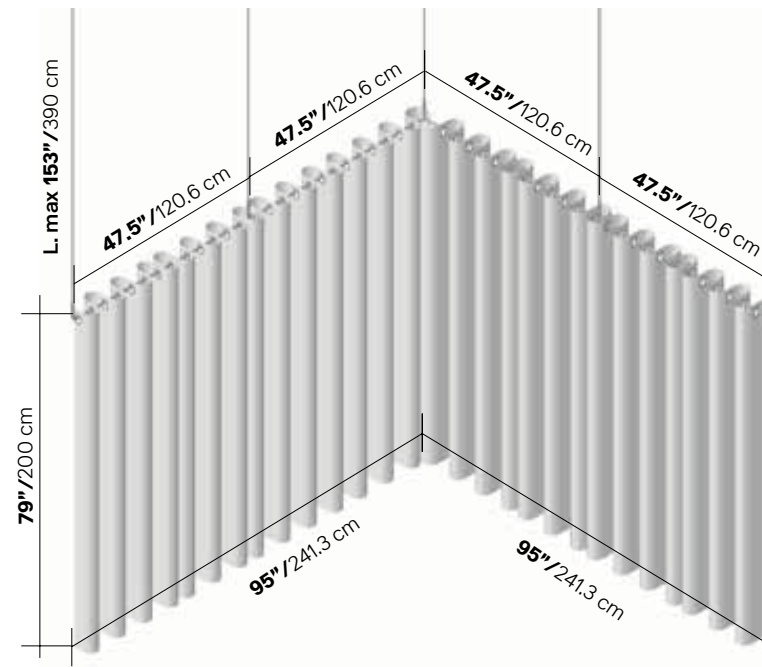
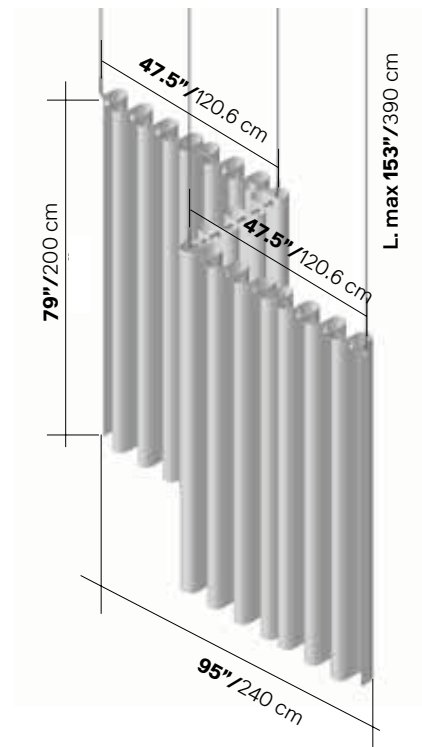
Call your representative for stock levels and availability



	Color	Part No
	300 Gray Ice	40041018
	305 Azure	40041019
	310 Gray Gold	40041021
	309 Gray Green	40041092
	306 Gray Burgundy	40041020

Quick Ship items only show item number without additional notation
For larger swatches & full color options, Please refer to pages 300–303.

CLASP DIVIDER TYPICALS



Item No	40041017: 4 ft (1.2 m) Support Rod (x2)	40041017: 4 ft (1.2 m) Support Rod (x4)	4 ft (1.2 m) Support Rod (x7)
	40041016: 2 ft (.6 m) Support Rod (x1)	40041015: End Supports (x2)	40041015: End Supports (x2)
	40041015: End Supports (x2)	40041014: Corner Supports (x1)	40041014: Corner Supports (x3)
	40041014: Corner Supports (x2)	40041012: Central Supports (x2)	40041012: Central Supports (X3)
Textile Panel	x5	x8	x14

CLASP DIVIDER RODS

SUPPORT ROD HARDWARE (2FT)

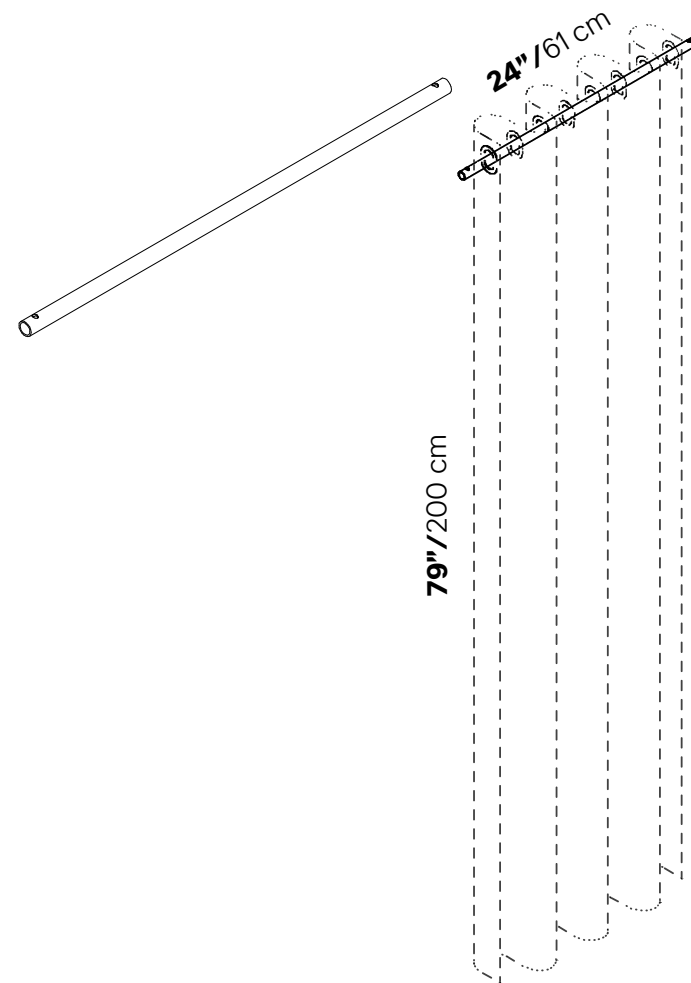
One support rod holds 1 (FIBER 3 MELANGE) Textile panel.

Textile Panel Req'd	(1) 24"W x 79" H 7.3 cm x 24 cm
---------------------	---------------------------------

Part No	40041016
---------	----------

QTY	01
-----	----

Finish	Chrome
--------	--------



Textile panel not included. See page 286 for details.

SUPPORT ROD HARDWARE (4FT)

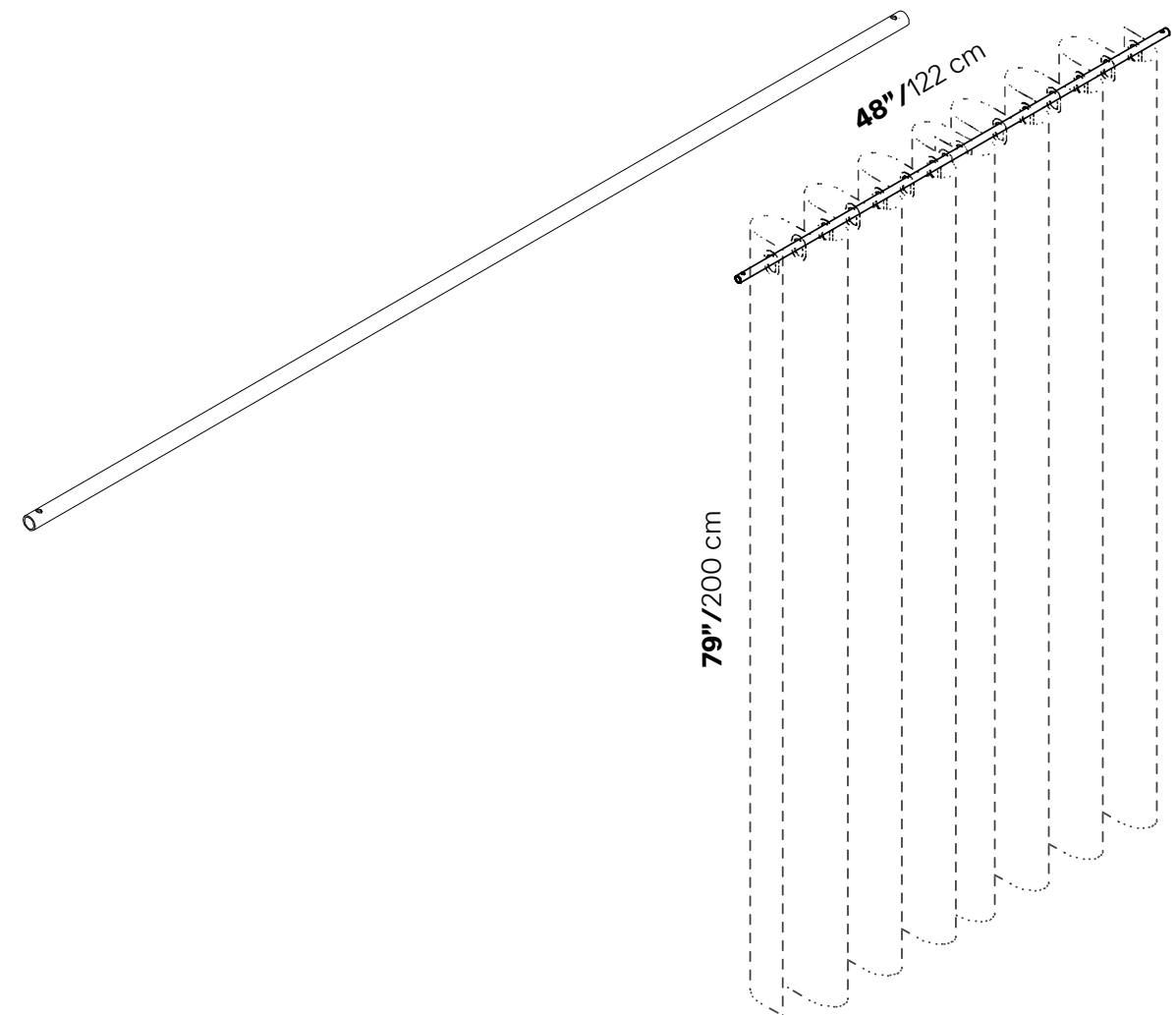
One support rod holds 2 (FIBER 3 MELANGE) Textile panel.

Textile Panel Req'd	(2) 24"W x 79" H 7.3 cm x 24 cm
---------------------	---------------------------------

Part No	40041017
---------	----------

QTY	01
-----	----

Finish	Chrome
--------	--------

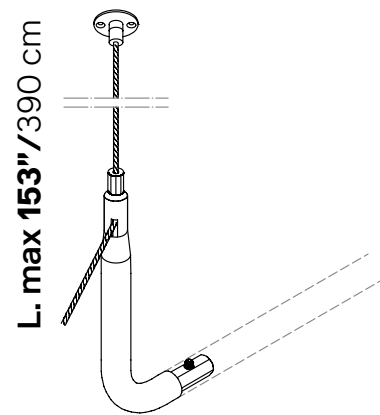


CLASP DIVIDER RODS

END SUPPORT ADAPTER

Connects to end of (1) support rod.

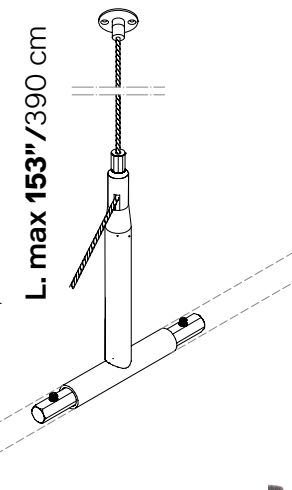
Part No	40041024
QTY	01
Finish	Chrome



CENTRAL SUPPORT ADAPTER

Connects with (2) support rods in straight line.

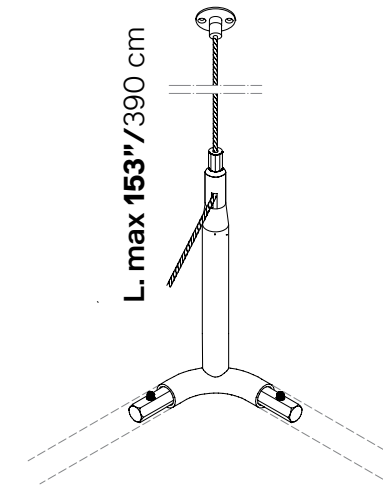
Part No	40041025
QTY	01
Finish	Chrome



CORNER SUPPORT ADAPTER

Connects with (2) support rods creating a corner.

Part No	40041026
QTY	01
Finish	Chrome



Hardware adapter includes aircraft cable and 2 - hole ceiling plate.
Allows you to always maintain 24"(61 cm) or 48" (122 cm) width.