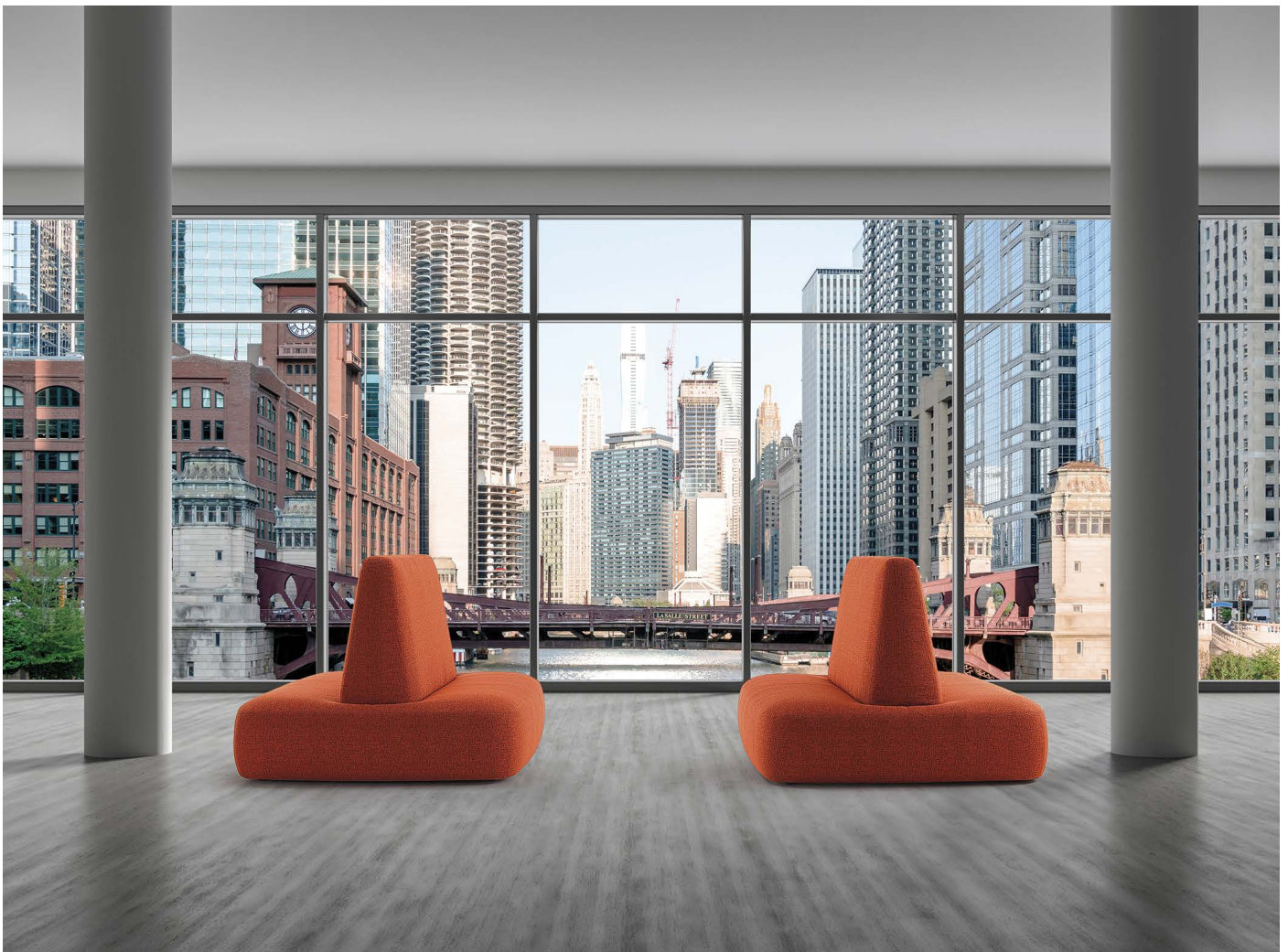


SNOWSOUND

NAPWORK

“Hexagonal and linear modules with an informal image compose a modular system of acoustic upholstered seating, potentially never ending. Whether in its single version for small rooms or as multiple pieces for large common areas, from the small lounge to large environments, the system combines acoustic well-being and the pleasure of a comfortable seat.”

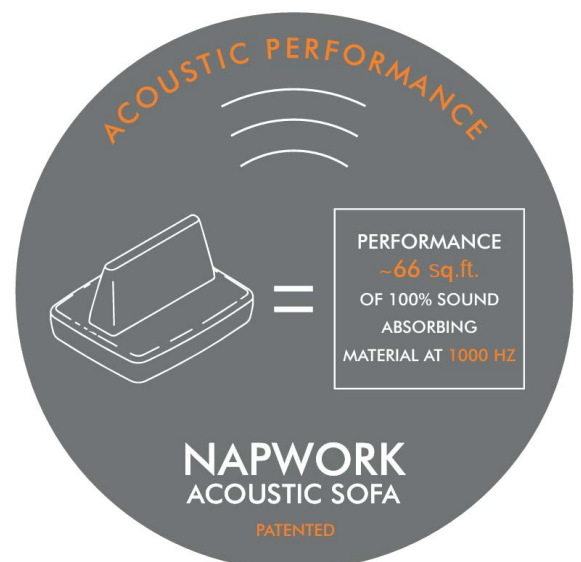
Paola Navone – Otto Studio,
Designer

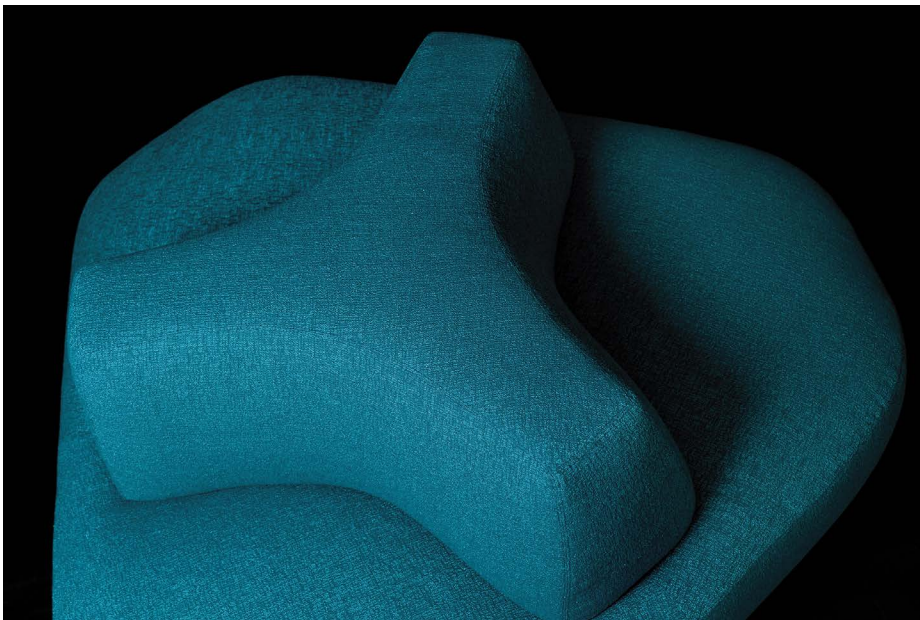




NAPWORK

A modular system of upholstered sound-absorbing seats with a supporting structure made of wood and elastic straps sized to independently absorb low frequencies. The seats are covered with soundabsorbing polyurethane and polyester, combined with upholstery in sound-absorbing Snowsound Fiber fabric made of polyester fibers. This combination allows the seat to effectively absorb different frequencies in the best possible way. The outer upholstery cover is removable.

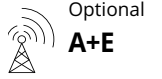








A+E TECHNOLOGY ELECTROMAGNETIC REDUCTION

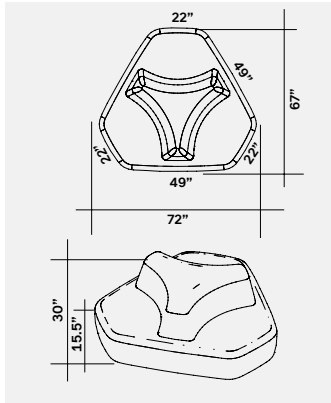


Snowsound metallized high-tech polymer fabric, infused with pure silver, serves a specific purpose: to reduce the power of electromagnetic fields while still allowing the use of smartphones and Wi-Fi networks. Unlike some materials that completely block signals, this fabric offers a balanced approach, ensuring functionality while minimizing electromagnetic exposure. By integrating this radio frequency-reducing fabric into sofas and other sound-absorbing elements, it combines the benefits of sound absorption with the reduction of electromagnetic fields. This patented technology represents a significant advancement in promoting the well-being of individuals by addressing concerns related to electromagnetic exposure.

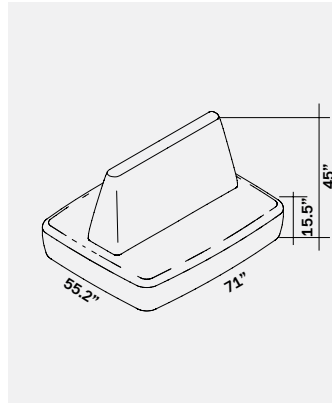
Standard	Frequency MHz (Start-Stop)	Residual Signal Power
GSM / 850	825-895	0.85%
GSM / 900	870-960	3.34%
UMTS	1920-2170	0.56%
LTE	2510-2690	0.30%
WIFI	2400-2500	0.60%
5G	3400-3800	0.79%
WIFI	5100-5800	0.75%



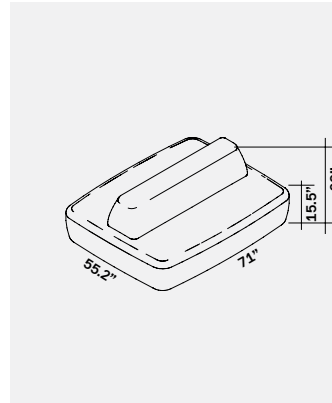
PRODUCT SPECS: NAPWORK



Model No. 7DNO1



Model No. 7DNO2



Model No. 7DNO2

FABRIC FINISH: FIBER 3 MELANGE



PHYSICAL PROPERTIES

Content 100% Inherently Fire Resistant, Acoustic Sound Absorbing Polyester Fibers with Patented Snowsound Technology

ACOUSTIC PERFORMANCE & NOISE REDUCTION RATING

Absorption Coefficient & NRC Please refer to the online Technical Sheets for acoustical testing details

PERFORMANCE

Flame Resistance Passes NFPA 701 // NFPA 260 // CAL. TB 117 // UL 723 Class A // ASTM E 84 Class A

Environment 100% Recyclable and GREENGUARD GOLD Certified
LEED v4 Credits and Certification, Declare Label, LBC Red List Free

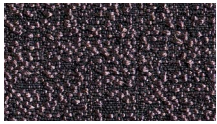
Abrasion Resistance 50,000 rubs /cycles (tested according to Martindale Method)

Colorfastness to Light Grade 7 – “Outstanding” (Passes AATCC 16 / ISO 105–B02:2014)

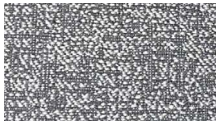
Colorfastness to Crocking Wet – Grade 5. Dry – Grade 4/5. (Passes AATCC 8 / ISO 105–X12: 2016)

Propensity to Surface Fuzzing & Pilling Grade 5 – “no change” (Passes ISO 12945–2:2002)

FABRIC FINISH: FIBER 8 BOUCLÈ



Dove Coffee 800



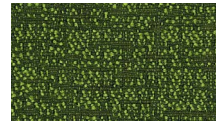
Gray Ice 801



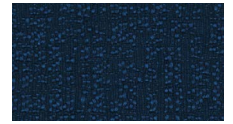
Gray Beige 802



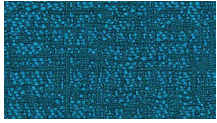
Graphite 803



Clover 804



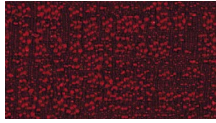
Oxford 805



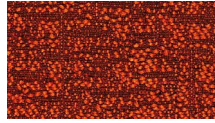
Syreni Blue 806



Obsedian 807



Garnet 808



Sandstone 809



Frost 810



Rhino 811



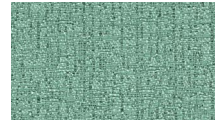
Sahara 812



Yosemite 813



Arctic 814



Mint 815

PHYSICAL PROPERTIES

Content	100% Inherently Fire Resistant, Acoustic Sound Absorbing Polyester Fibers with Patented Snowsound Technology
---------	--

ACOUSTIC PERFORMANCE & NOISE REDUCTION RATING

Absorption Coefficient & NRC	Please refer to the online Technical Sheets for acoustical testing details
------------------------------	--

PERFORMANCE

Flame Resistance	Passes NFPA 701 // NFPA 260 // CAL. TB 117 // UL 723 Class A // ASTM E 84 Class A
Environment	100% Recyclable and GREENGUARD GOLD Certified LEED v4 Credits and Certification, Declare Label, LBC Red List Free
Abrasion Resistance	25,000 rubs /cycles (tested according to Martindale Method)
Colorfastness to Light	Grade 6/7 – “Excellent” (Passes AATCC 16 / ISO 105-B02:2014)
Colorfastness to Wet and Dry Crocking	Wet & Dry – Grade 5 (Passes AATCC 8 / ISO 105-X12: 2016)
Propensity to Surface Fuzzing & Pilling	Grade 5 – “no change” (Passes ISO 12945-2:2002)

SNOWSOUND

SNOWSOUND USA HQ
Snowsound USA
10018 Santa Fe Springs Road
Santa Fe Springs, CA 90670
Tel. 562.903.9550
info@snowsoundusa.com
www.snowsoundusa.com



Declare.

Scan for more products



Hear the difference



LOS ANGELES SHOWROOM
Pacific Design Center
Green Building, Suite G-152
8687 Melrose Ave
West Hollywood, CA 90069

CHICAGO SHOWROOM
222 Merchandise Mart Plaza
Floor 11, Suite 1197
Chicago, IL 60654 USA

NEW YORK SHOWROOM
New York Design Center (NYDC)
200 Lexington Ave
Floor 11, Suite 1106
New York, NY 10016 USA

©2024 Snowsound USA. All rights reserved.
Follow us: @snowsoundusa

