

SNOWSOUND

A close-up photograph of a dark, textured fabric sofa cushion. The fabric has a fine, pebbled texture. The cushion is shown from a slightly elevated angle, highlighting its rounded top and the stitching along the edges. The background is a plain, light color, possibly white or light gray, which contrasts with the dark fabric.

CILINDRO

“A geometric structure, synthesis of an interlocking of volumes and essential shapes. Analytical intersections of points, lines and surfaces, inscribed in an acoustic seat of modernist inspiration.”

Claudio Bellini,
Designer





CILINDRO

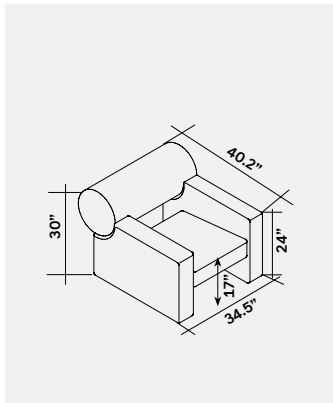
Sound-absorbing upholstered seats feature a supporting structure made of wood and elastic straps designed to absorb low frequencies independently. The seats are covered with sound-absorbing polyurethane and polyester, combined with upholstery in soundabsorbing Snowsound Fiber fabric made of polyester fibers. This combination allows the seat to effectively absorb various frequencies. The backrest structure is attached to the rest of the frame by means of two robust steel bars. In the case of the 64" long sofa, the backrest structure is further strengthened by a steel profile with a 'C' section.



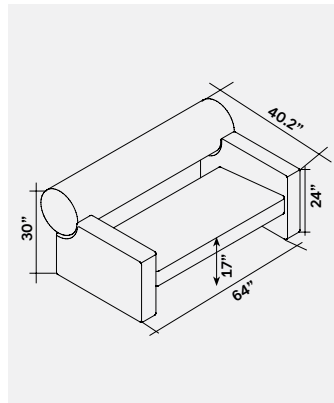




PRODUCT SPECS: CILINDRO



Model No. 7DB1



Model No. 7DB2

FABRIC FINISH: FIBER 3 MELANGE



Gray Ice 300



Anthracite 302



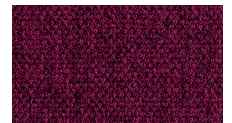
Gray Taupe 303



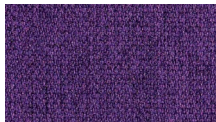
Gray Beige 304



Azure 305



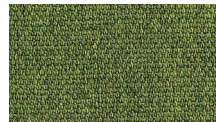
Gray Burgundy 306



Gray Plum 307



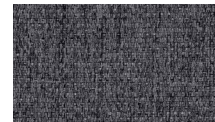
Gray Blue 308



Gray Green 309



Gray Gold 310



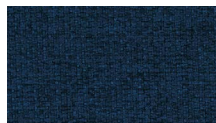
Carbon Gray 311



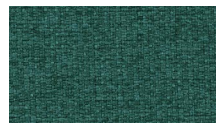
Patina 312



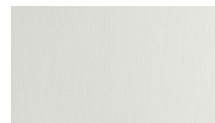
Evergreen 313



Admiral Blue 314



Fiji 315



Ivory 316

PHYSICAL PROPERTIES

Content	100% Inherently Fire Resistant, Acoustic Sound Absorbing Polyester Fibers with Patented Snowsound Technology
---------	--

ACOUSTIC PERFORMANCE & NOISE REDUCTION RATING

Absorption Coefficient & NRC	Please refer to the online Technical Sheets for acoustical testing details
------------------------------	--

PERFORMANCE

Flame Resistance	Passes NFPA 701 // NFPA 260 // CAL. TB 117 // UL 723 Class A // ASTM E 84 Class A
Environment	100% Recyclable and GREENGUARD GOLD Certified LEED v4 Credits & Certification, Declare Label, LBC Red List Free
Abrasion Resistance	50,000 rubs /cycles (tested according to Martindale Method)
Colorfastness to Light	Grade 7 – “Outstanding” (Passes AATCC 16 / ISO 105–B02:2014)
Colorfastness to Crocking	Wet – Grade 5. Dry – Grade 4/5. (Passes AATCC 8 / ISO 105–X12: 2016)
Propensity to Surface Fuzzing & Pilling	Grade 5 – “no change” (Passes ISO 12945–2:2002)

FABRIC FINISH: FIBER 8 BOUCLÈ



PHYSICAL PROPERTIES

Content	100% Inherently Fire Resistant, Acoustic Sound Absorbing Polyester Fibers with Patented Snowsound Technology
---------	--

ACOUSTIC PERFORMANCE & NOISE REDUCTION RATING

Absorption Coefficient & NRC	Please refer to the online Technical Sheets for acoustical testing details
------------------------------	--

PERFORMANCE

Flame Resistance	Passes NFPA 701 // NFPA 260 // CAL. TB 117 // UL 723 Class A // ASTM E 84 Class A
Environment	100% Recyclable and GREENGUARD GOLD Certified LEED v4 Credits & Certification, Declare Label, LBC Red List Free
Abrasion Resistance	50,000 rubs /cycles (tested according to Martindale Method)
Colorfastness to Light	Grade 7 – “Outstanding” (Passes AATCC 16 / ISO 105–B02:2014)
Colorfastness to Crocking	Wet – Grade 5. Dry – Grade 4/5. (Passes AATCC 8 / ISO 105–X12: 2016)
Propensity to Surface Fuzzing & Pilling	Grade 5 – “no change” (Passes ISO 12945–2:2002)

SNOWSOUND

SNOWSOUND USA HQ
Snowsound USA
10018 Santa Fe Springs Road
Santa Fe Springs, CA 90670
Tel. 562.903.9550
info@snowsoundusa.com
www.snowsoundusa.com



Declare.

Scan for more products



Hear the difference



LOS ANGELES SHOWROOM
Pacific Design Center
Green Building, Suite G-152
8687 Melrose Ave
West Hollywood, CA 90069

CHICAGO SHOWROOM
222 Merchandise Mart Plaza
Floor 11, Suite 1197
Chicago, IL 60654 USA

NEW YORK SHOWROOM
New York Design Center (NYDC)
200 Lexington Ave
Floor 11, Suite 1106
New York, NY 10016 USA

©2024 Snowsound USA. All rights reserved.
Follow us: @snowsoundusa

