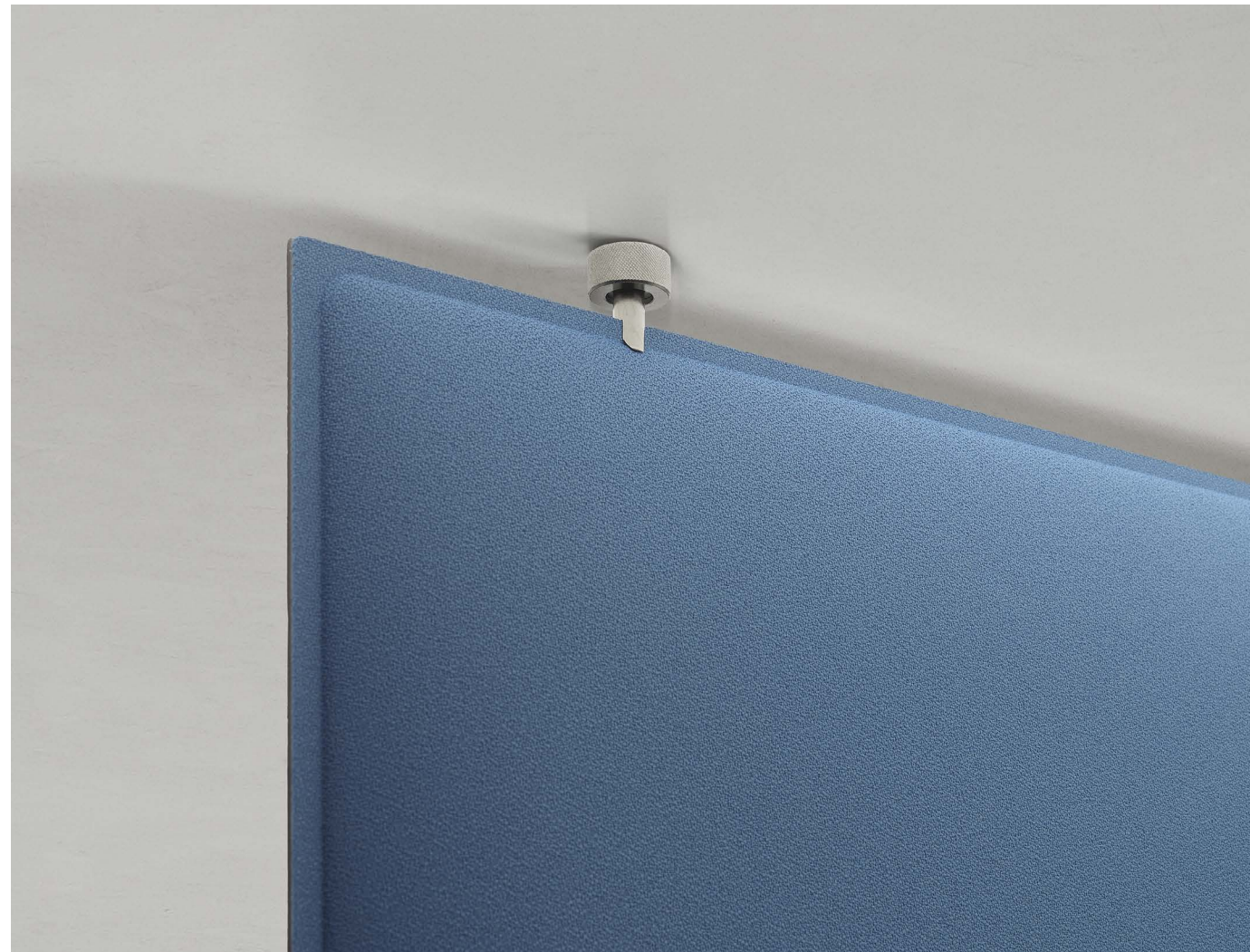


# BAFFLE DIRECT



# BAFFLE DIRECT

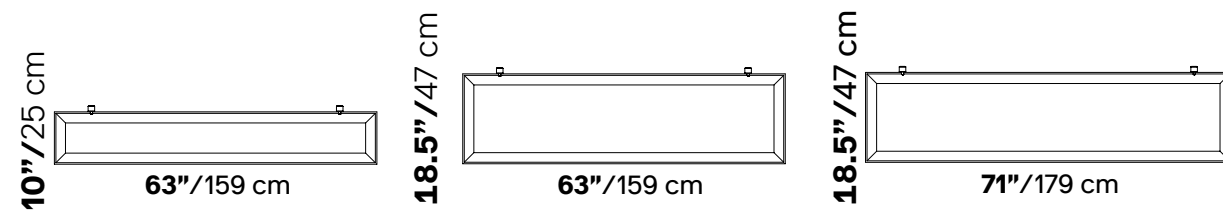
BAFFLE DIRECT Panel with polyester internal padding utilizing SNOWSOUND® Technology with variable density. Covered in Trevira CS® fabric. It features a patented direct attachment system for ceiling and wall mounting, compatible with the 8.5” and 17.3” Snowsound Baffle Direct sound-absorbing panels. The fixing points are meticulously designed to facilitate quick and effortless panel installation.



Specs	Polyester internal padding with SNOWSOUND technology, polyester covering in Trevira CS® fabric
	Single material and 100% recyclable
	Eco friendly – Greenguard Gold
	Durable, tackable double-sided surface
	Patented variable density composition
	Class A sound absorption with NRC 1.0 (ISO 354/ASTM C423/ISO 11654)
	Absorbs 94% of human speech frequencies
	Class A fire and smoke safety (UL 723/ASTM E84)
	CAL 133, 117 pass
	Sleek profile at only 1.4” thick
	Ceiling/wall mounted
	CE certified for ceiling application
Design	Mark Sadler

# BAFFLE DIRECT COMPLETE KIT

Call your representative for stock levels and availability

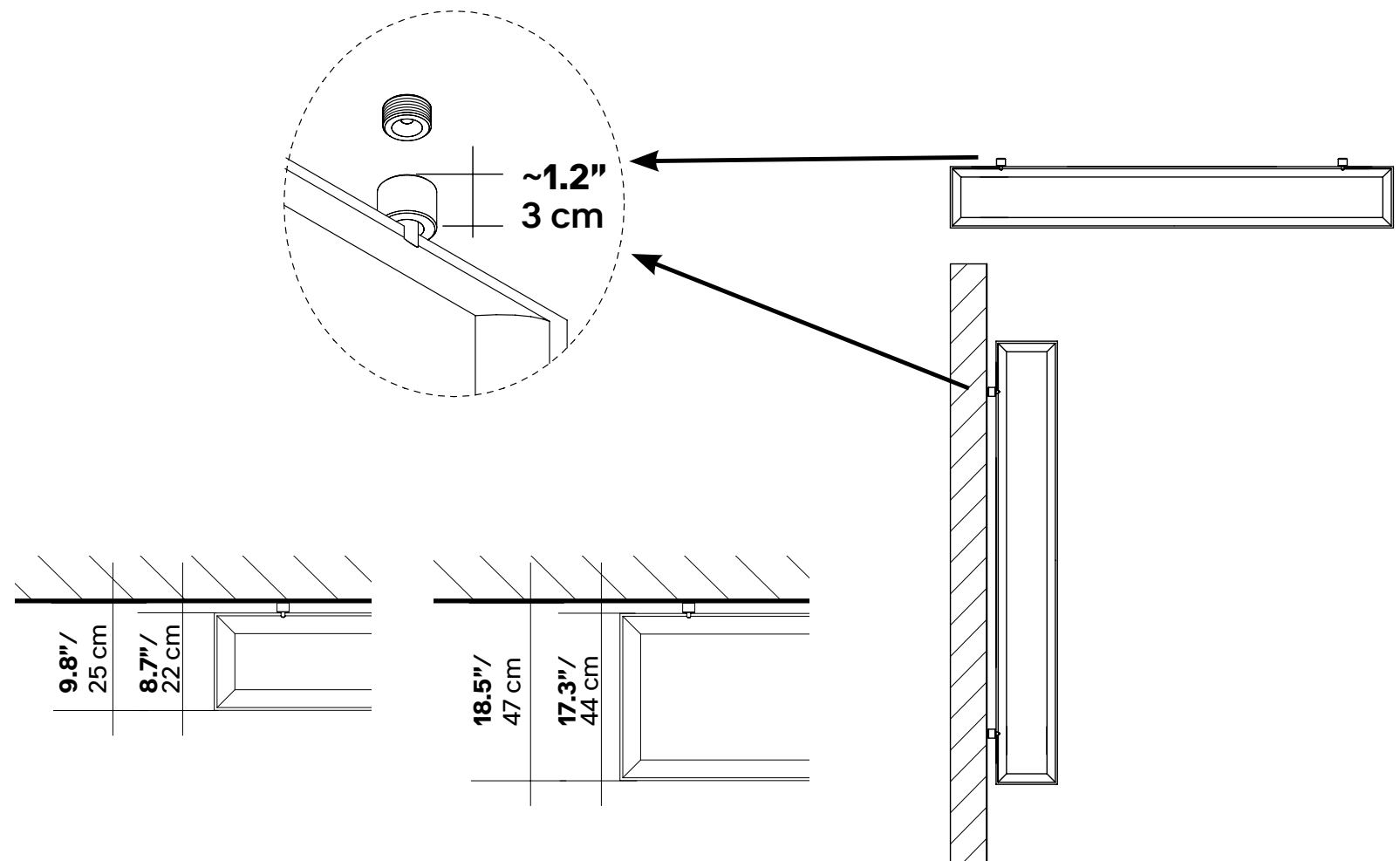


Quote by panel size shown to left. Full system dimensions below

For direct surface mounting on ceiling/wall. Hardware for ceiling mount is below. Screws to fasten bracket to ceiling/wall not included.

Color	Part No	Part No	Part No
White	40025592	40025621	40025634
Silver		40025622	40025635
Gray			
Charcoal	40025591	40025623	40025636
Gray			
Slate		40025631	40025644
Blue			
Beige		40025624**	40025637**
Dove		40025625**	40025638**
Gray			
Sun		40025626**	40025639**
Yellow			
Carrot		40025627**	40025640**
Orange			
Red		40025628**	40025641**
Rustic		40025630**	40025643**
Brick			
Olive		40025629**	40025642**
Green			
Dark		40025632**	40025645**
Teal			

Kit includes	01 panel
	02 steel grips hardware



\*\* Extended lead time  
 Extended lead time colors require:  
 up to 10–12 weeks  
 Quick Ship items only show item number without  
 additional notation  
 For larger swatches & full color options, please  
 refer to pages 32–34.

Panels available in special order colors.  
 Special order colors require:  
 – MOQ varies from size to size  
 – Lead time up to 14–16 weeks  
 – +10% Custom service fee