

SNOWSOUND

A modern lounge interior featuring three light-colored, modular sofas arranged in a semi-circle. In the background, a long wall of built-in bookshelves is illuminated with warm, ambient lighting. To the right, a wall is covered in a dense array of small, warm-toned lights, creating a bokeh effect. The ceiling is dark with recessed lighting, and the floor is a dark, polished material.

SPEC GUIDE 2024
V 1.0

**List Prices effective
beginning June 1st, 2024**

**List Prices are US Dollars,
F.O.B Santa Fe Springs, CA.**

Please send all P.O.'s to:
orders@snowsoundusa.com
For inquiries please contact:
info@snowsoundusa.com



OVER 60 INTERNATIONAL AWARDS

The technological innovations of SNOWSOUND have achieved major international recognition. With its products displayed in design museums around the world, SNOWSOUND has received over 60 international awards, including seven Best of NeoCon Silver and Gold awards, three Compasso d'Oro awards, three German Design awards, and fourteen ADI Design Index awards.



Index

Product Showcase	5
Acoustic Panels	31
Acoustic Fiber Products	298
Snowcurtains	341
Fiber Textiles & Wallcoverings	356
Acoustic Lounge & Furniture	390
Product Size Chart	453
Terms and Conditions	459



Click & jump to
the selected page

Click page number at bottom on
any page to return to this page

FIBER 7 VELO







FIBER 8 BOUCLÉ



FIBER 12 ECONYL®





INTEGRAL





MILANO





DISC





SURF





MIA







INDUSTRIAL



SNOWALL MAX





SNOWPOUF MAX





LUCREZIO





SNOWSOUND ART

BY MARIO TRIMARCHI





ACOUSTIC PANELS



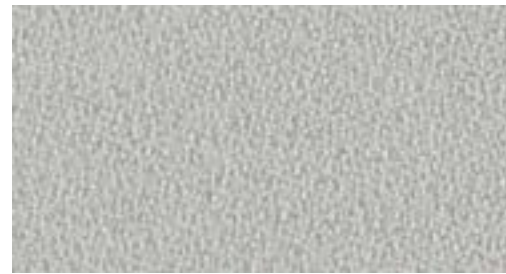
Click & jump to
the selected page

Color Swatches (Standard + Special Order)	32	Mitesco on Cables	162
Baffle	35	Mitesco Totem	164
Baffle Direct	40	Mitesco Divider Screens	165
Baffle Oversize	43	Mitesco Desk	173
Blade	47	Oversize Ceiling	179
Botanica	51	Oversize Wall/Oversize Desk	190
Bow	60	Pagoda	196
Climbing	64	Perline	200
Corner	67	Pli Over	211
Disc	75	Pli Oversize	215
Dunes	79	Pli	219
Flap/ Flap Grande	83	Snowcustom	224
Flap Totem	90	Snowfix	236
Flap Chain	91	Snowfix Easy	242
Flap Chandelier	97	Snowfix Smart	243
Flap Wings	103	Snowfront	244
Flat/Flat Totem/Flat Lux	107	Snowmagnet Easy	249
Float	115	Surf	255
Giotto/Giotto Lux	120	TL/TL Lux	261
IN	130	Tra Light	265
Industrial	133	Tri Bu	271
Integral	139	Cubby	276
Mia	146	SNOWSOUND Art	279
Minimal	149	Additional Sizes (SPECIAL ORDER)	294
Mitesco	155	Customization	296
Mitesco Wall/Ceiling Hardware	159		

COLOR SWATCHES FOR PANELS: AVAILABLE COLORS



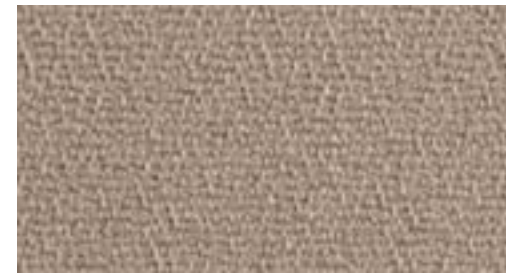
White 0012



Cool White 8002



Silver Gray 8004



Beige 1008



Sun Yellow 3008



Carrot Orange 4030



Red 4027



Rustic Brick 4086



Slate Blue 6046



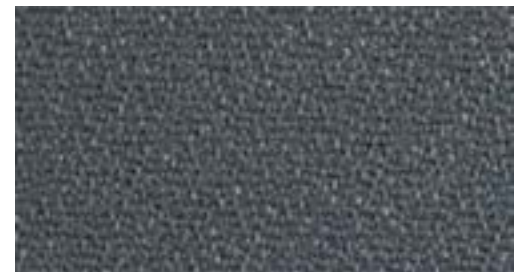
Dark Teal 6075



Olive Green 7004



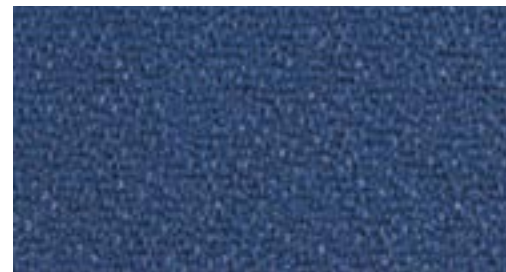
Dove Gray 2005



Charcoal Gray 8007



Apple Green 7013



Blue 6071



Aqua 4067



Rose 7074



Black 8033

NOTE Colors are either Quick Ship, Extended Lead Time, or Special Order, depending on product shape and size. For any questions on availability, please contact your local representative for information.

Refer to each product to see which colors are available on Quick Ship, Extended Lead Time, or Special Order. Special Order colors have product-specific requirements listed on each product page.

COLOR SWATCHES FOR PANELS: SPECIAL ORDER COLORS



Sand 1006



French Vanilla 1069



Bronze 2023



Dark Brown 2031



Dirty Martini 3030



Sunflower 3083



Bright Coral 3094



Regal Red 4008



Merlot 4009



Burgundy 4017



Burnt Orange 4066



Magenta 4020



Dark Plum 5004



Grape 5005



Violet 5096



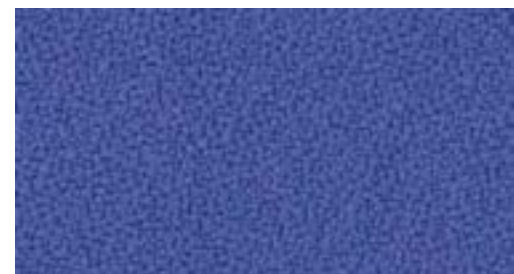
Baby Blue 6005



Cyan 6007



Clear Sky 6011



Dark Periwinkle 6018



Denim Blue 6026



Indigo 6080



Navy Blue 6098



Emerald Green 7008



Lime Green 7011

Refer to each product to see which colors are available on Quick Ship, Extended Lead Time, or Special Order. Special Order colors have product-specific requirements listed on each product page.

COLOR SWATCHES FOR PANELS: SPECIAL ORDER COLORS



Moss Green 7019



Hunter Green 7020



Seaside Blue 7023



Forest Green 7033



Cool Concrete 8027



Potter's Clay 8044



Gravel Gray 8010



Deep Greige 8009

Special Order colors are available for all panel shapes and sizes.

- MOQ required
- Lead time up to 14-16 weeks
- 10% custom service fee

Please refer to the Product Specifications Page for details or contact your local SNOWSOUND Representative for more information.

Refer to each product to see which colors are available on Quick Ship, Extended Lead Time, or Special Order. Special Order colors have product-specific requirements listed on each product page.

BAFFLE



BAFFLE

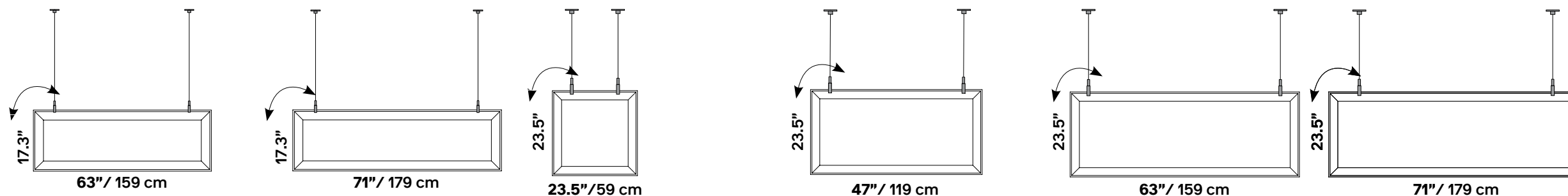


BAFFLE Panel with polyester internal padding featuring SNOWSOUND® technology with variable density. Polyester covering in Trevira CS® fabric. Equipped with a kit for ceiling-suspended panels. The panel can be hung in either horizontal or vertical orientation. Cylindrical fasteners to be positioned alongside the top edge of the panel.

Specs	Polyester internal padding with SNOWSOUND technology, polyester covering in Trevira CS® fabric
	Single material and 100% recyclable
	Eco friendly – Greenguard Gold
	Durable, tackable double-sided surface
	Patented variable density composition
	Class A sound absorption with NRC 1.0 (ISO 354/ASTM C423/ISO 11654)
	Absorbs 94% of human speech frequencies
	Class A fire and smoke safety (UL 723/ASTM E84)
	CAL 133, 117 pass
	Sleek profile at only 1.4” thick
	Ceiling suspended
	CE certified for ceiling application
Design	Mark Sadler

BAFFLE COMPLETE KIT

Call your representative for stock levels and availability



	Color	Part No	Part No	Part No	Part No	Part No	Part No
	White	40025704	40025691	40023058	40025735	40023082	
	Silver	40025705	40025692	40023059	40025736	40023083	40025739
	Gray						
	Charcoal	40025706	40025693	40023060	40025798	40023086	40025742
	Gray						
	Slate	40025714	40025701	40023126	40025759	40023124	40025749
	Blue						
	Beige	40025711**	40025698**	40023063**	40025754**	40023087	
	Dove	40025712**	40025699**	40023061**	40025752**	40023085	
	Gray						
	Sun	40025710**	40025696**	40023064**	40025755**	40023088**	
	Yellow						
	Carrot	40025707**	40025694**	40023062**	40025753**	40023084	
	Orange						
	Red	40025709**	40025695**	40023065**	40025756**	40023089	
		Special Order Color MOQ: 60	Special Order Color MOQ: 60	Special Order Color MOQ: 70	Special Order Color MOQ: 50	Special Order Color MOQ: 50	Special Order Color MOQ: 30

** Extended lead time

Extended lead time colors require: up to 10–12 weeks

Quick Ship items only show item number without additional notation

For larger swatches & full color options, please refer to pages 32–34.

Panels available in special order colors. Special order colors require:

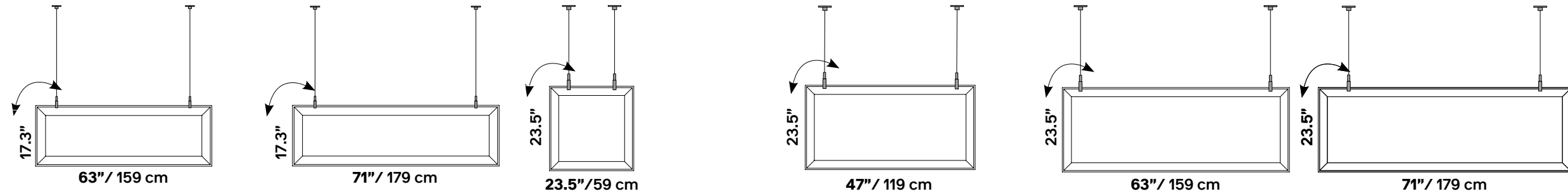
– MOQ varies from size to size





– Lead time up to 14–16 weeks

– +10% Custom service fee

BAFFLE COMPLETE KIT

Call your representative for stock levels and availability



	Color	Part No	Part No	Part No	Part No	Part No	Part No
	Rustic Brick	40025713**	40025700**	40023119**	40025761**	40023122**	
	Olive Green	40025708**	40025697**	40023066**	40025757**	40023090	
	Dark Teal	40025715**	40025702**	40023128**	40025760**	40023125**	
	Cool White				40025800**		
		Special Order Color MOQ: 60	Special Order Color MOQ: 60	Special Order Color MOQ: 70	Special Order Color MOQ: 50	Special Order Color MOQ: 50	Special Order Color MOQ: 30

** Extended lead time

Extended lead time colors require: up to 10–12 weeks

Quick Ship items only show item number without additional notation

For larger swatches & full color options, please refer to pages 32–34.

Panels available in special order colors. Special order colors require:

– MOQ varies from size to size

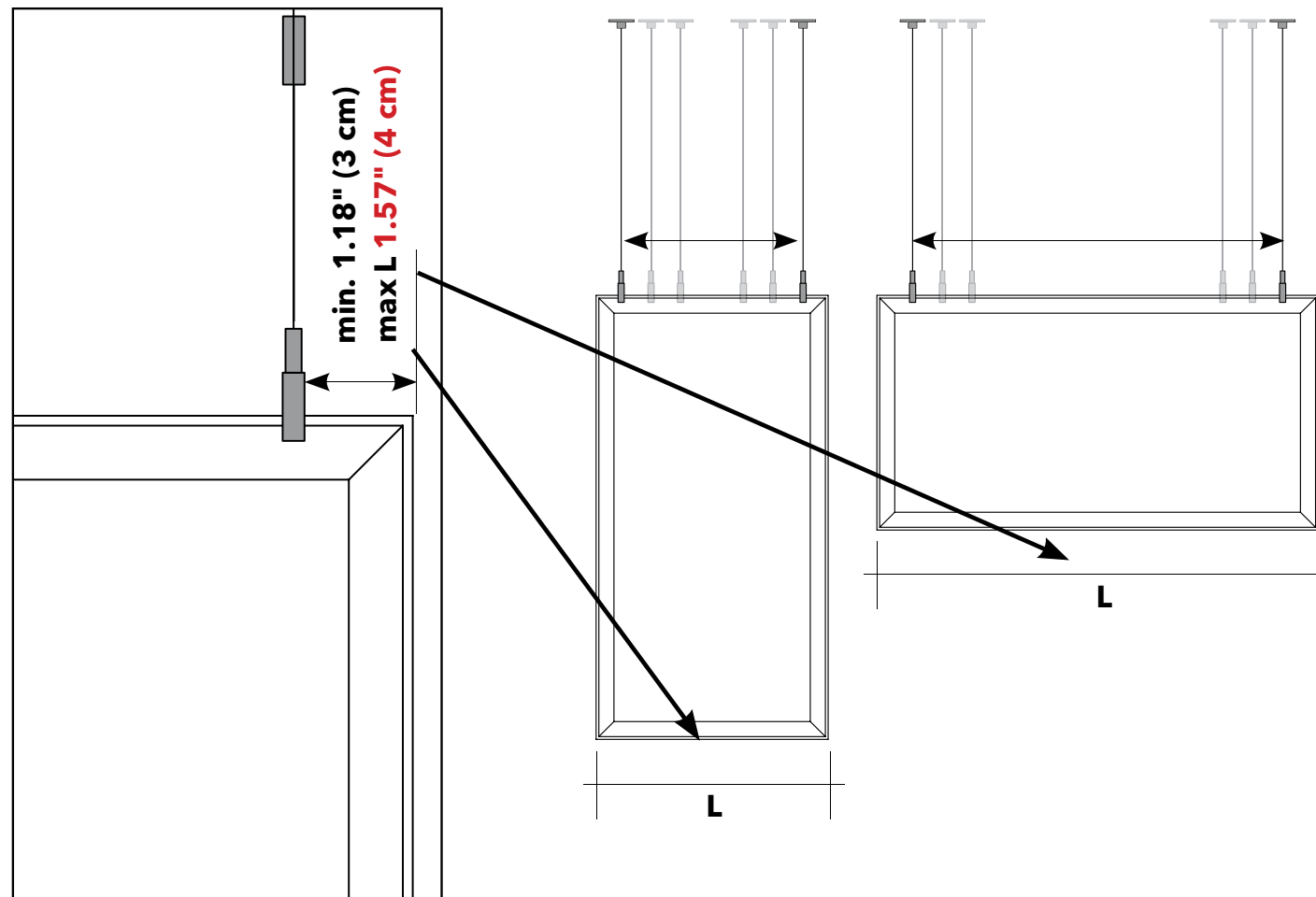
– Lead time up to 14–16 weeks

– +10% Custom service fee

BAFFLE COMPLETE KIT

For direct surface mounting on ceiling.

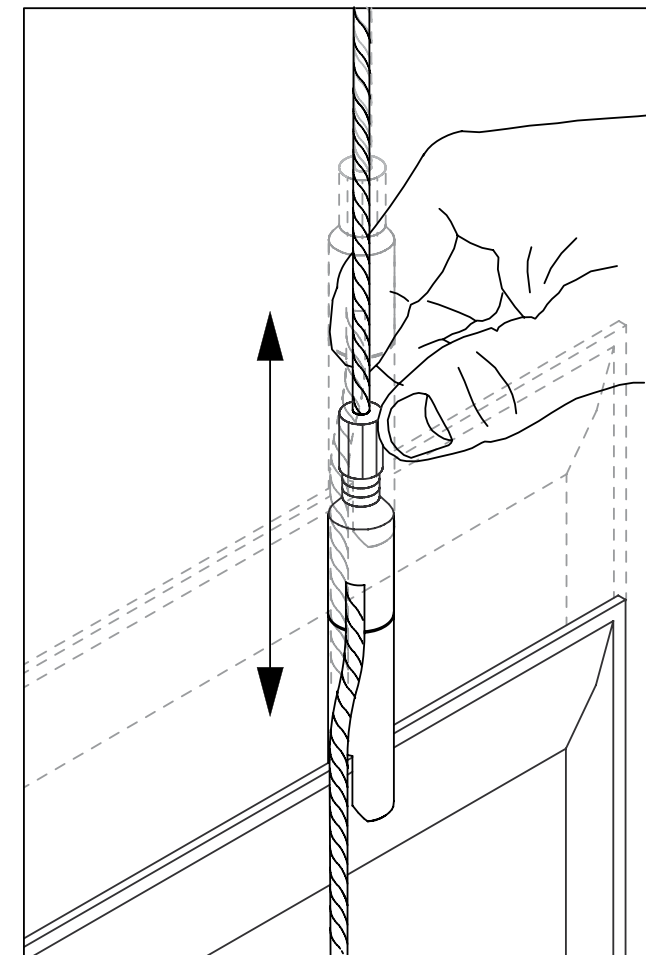
Kit includes	01 panel
	02 ceiling plates
	02 steel cables
	02 hanging for panel



ø 1.50"/3.8 cm



Cable lock, adjusts the height up to 153"/388.6 cm



BAFFLE DIRECT



BAFFLE DIRECT

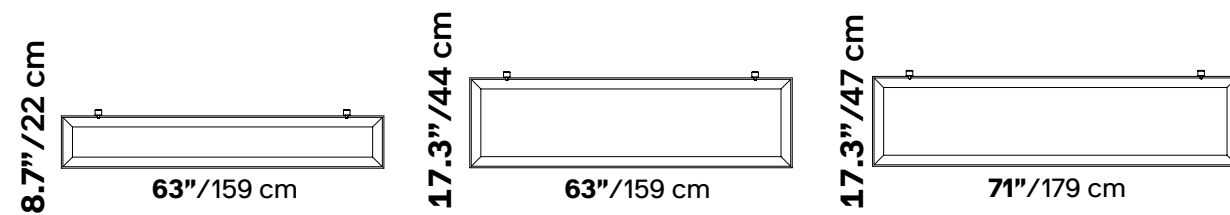
BAFFLE DIRECT Panel with polyester internal padding utilizing SNOWSOUND® Technology with variable density. Covered in Trevira CS® fabric. It features a patented direct attachment system for ceiling and wall mounting, compatible with the 8.5” and 17.3” Snowsound Baffle Direct sound-absorbing panels. The fixing points are meticulously designed to facilitate quick and effortless panel installation.



Specs	Polyester internal padding with SNOWSOUND technology, polyester covering in Trevira CS® fabric
	Single material and 100% recyclable
	Eco friendly – Greenguard Gold
	Durable, tackable double-sided surface
	Patented variable density composition
	Class A sound absorption with NRC 1.0 (ISO 354/ASTM C423/ISO 11654)
	Absorbs 94% of human speech frequencies
	Class A fire and smoke safety (UL 723/ASTM E84)
	CAL 133, 117 pass
	Sleek profile at only 1.4” thick
	Ceiling/wall mounted
	CE certified for ceiling application
Design	Mark Sadler

BAFFLE DIRECT COMPLETE KIT

Call your representative for stock levels and availability

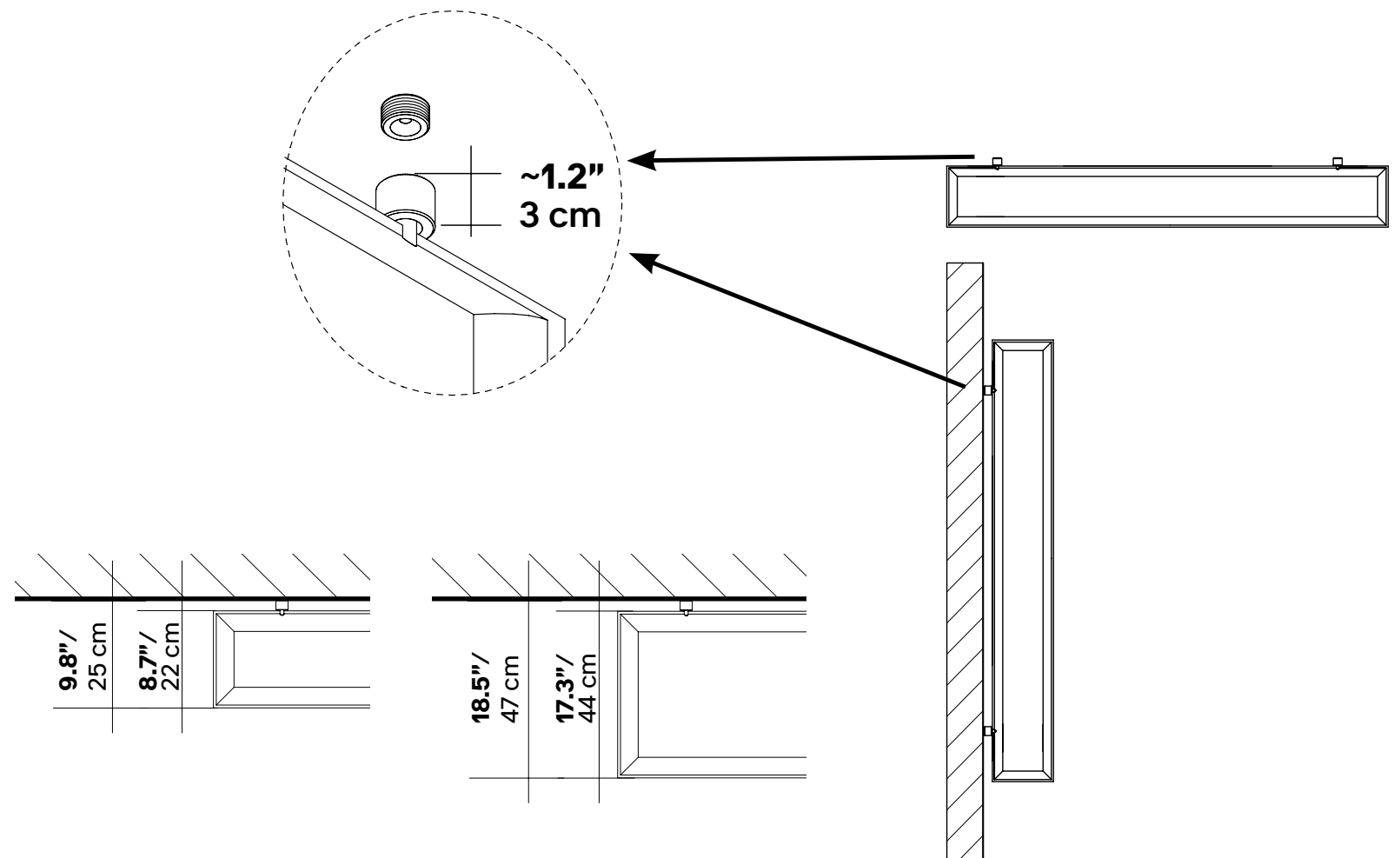


Quote by panel size shown to left. Full system dimensions below

For direct surface mounting on ceiling/wall. Hardware for ceiling mount is below. Screws to fasten bracket to ceiling/wall not included.

Color	Part No	Part No	Part No
White	40025592	40025621	40025634
Silver		40025622	40025635
Gray			
Charcoal	40025591	40025623	40025636
Gray			
Slate		40025631	40025644
Blue			
Beige		40025624**	40025637**
Dove		40025625**	40025638**
Gray			
Sun		40025626**	40025639**
Yellow			
Carrot		40025627**	40025640**
Orange			
Red		40025628**	40025641**
Rustic		40025630**	40025643**
Brick			
Olive		40025629**	40025642**
Green			
Dark		40025632**	40025645**
Teal			

Kit includes	01 panel
	02 steel grips hardware



** Extended lead time
 Extended lead time colors require:
 up to 10–12 weeks
 Quick Ship items only show item number without
 additional notation
 For larger swatches & full color options, please
 refer to pages 32–34.

Panels available in special order colors.
 Special order colors require:
 – MOQ varies from size to size
 – Lead time up to 14–16 weeks
 – +10% Custom service fee

BAFFLE OVERSIZE



BAFFLE OVERSIZE

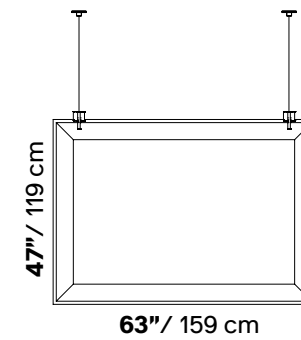
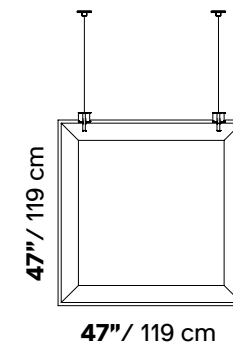
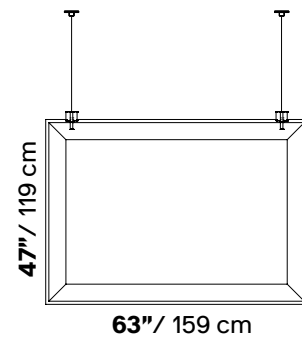
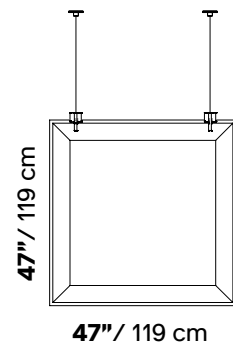
BAFFLE OVERSIZE Panel with polyester internal padding utilizing SNOWSOUND® Technology with variable density. Covered in Trevira CS® fabric. Comes complete with two supports made of die-cast chrome-plated metal, which conceal the adjustment mechanism of the ceiling fixings.



Specs	Polyester internal padding with SNOWSOUND technology, polyester covering in Trevira CS® fabric
	Single material and 100% recyclable
	Eco friendly – Greenguard Gold
	Durable, tackable double-sided surface
	Patented variable density composition
	Class A sound absorption with NRC 1.0 (ISO 354/ASTM C423/ISO 11654)
	Absorbs 94% of human speech frequencies
	Class A fire and smoke safety (UL 723/ASTM E84)
	CAL 133, 117 pass
	Sleek profile at only 1.4” thick
	Ceiling suspended
	CE certified for ceiling application
Design	Mark Sadler

BAFFLE OVERSIZE COMPLETE KIT

Call your representative for stock levels and availability



Color	Part No	Part No
White	40025225	40025229
Silver	40025226	40025230
Gray		
Charcoal	40025228	40025232
Gray		
Slate	40025363	40025372
Blue		
Beige	40025367**	40025376**
Dove	40025227**	40025231**
Gray		
Sun	40025369**	40025378**
Yellow		
Carrot	40025366**	40025375**
Orange		
Red	40025368**	40025377**

Color	Part No	Part No
Rustic	40025362**	40025371**
Brick		
Olive	40025370**	40025379**
Green		
Dark	40025364**	40025373**
Teal		
Black	40025764**	40025765**
Cool	40025365**	40025374**
White		

Special Order Color
MOQ: 60

Special Order Color
MOQ: 60

** Extended lead time

Extended lead time colors require: up to 10–12 weeks

Quick Ship items only show item number without additional notation

For larger swatches & full color options, please refer to pages 32–34.

Panels available in special order colors. Special order colors require:

– MOQ varies from size to size

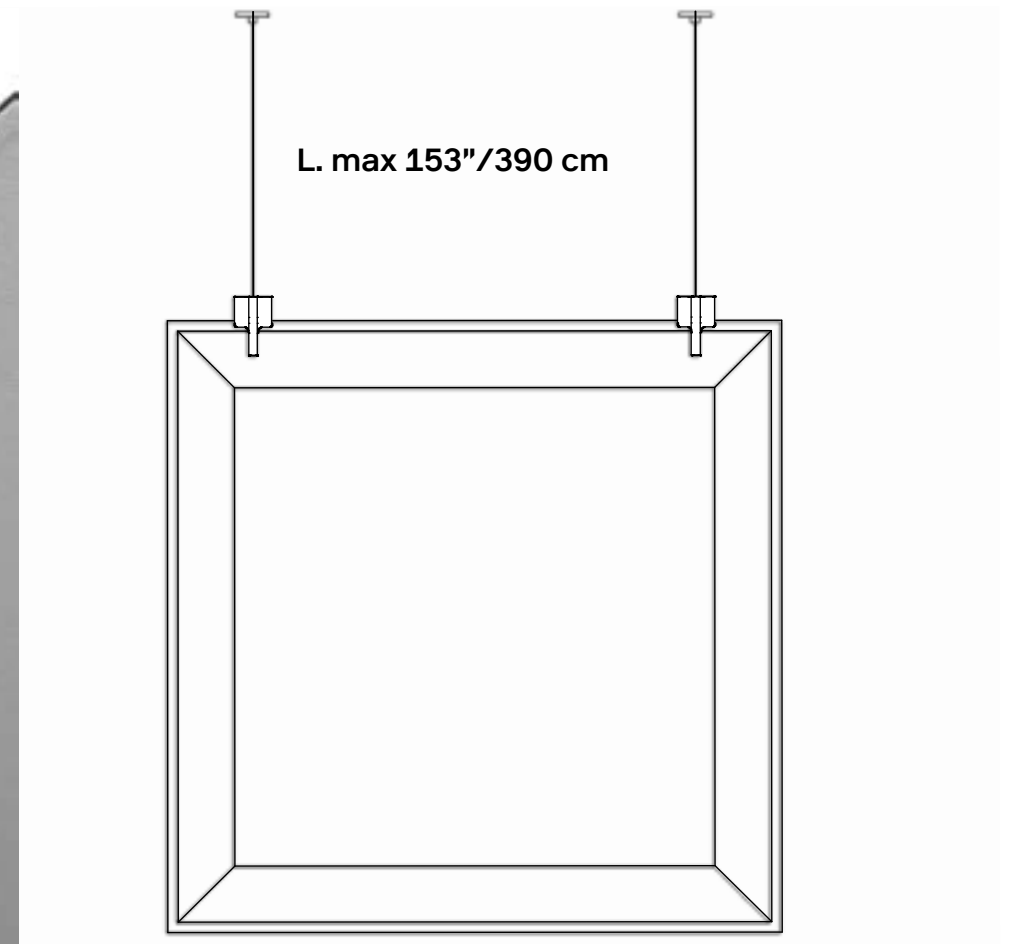
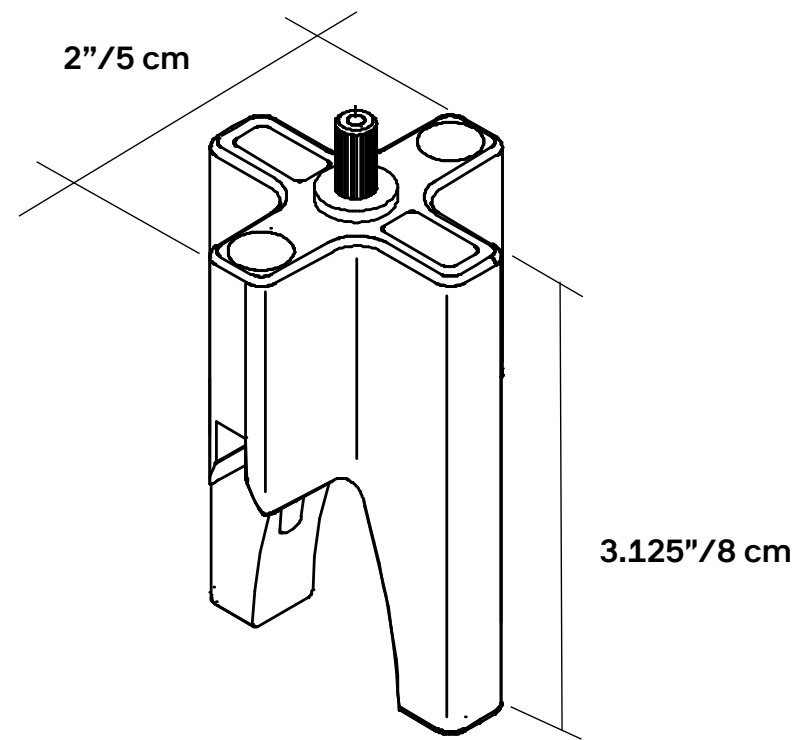
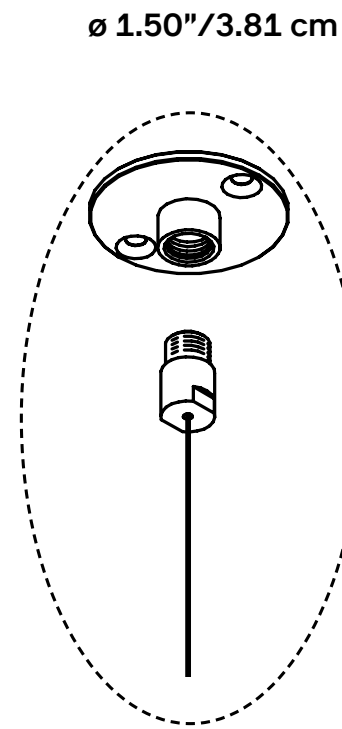
– Lead time up to 14–16 weeks

– +10% Custom service fee

BAFFLE COMPLETE KIT

For direct surface mounting on ceiling. Screws to fasten bracket to ceiling/wall not included.

Kit includes	01 panel
	02 supports
	02 ceiling plates
	02 cables



BLADE



BLADE

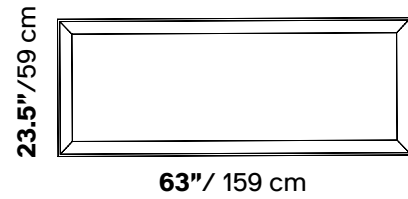






BLADE modular shelving display system is designed to acoustically correct interiors while seamlessly blending into the environment. The back panels feature SNOWSOUND® panels with patented technology, ensuring maximum absorption for any room. Bent metal shelves elegantly dress the panels and invisibly anchor them to the wall.






Specs	Polyester internal padding with SNOWSOUND technology, polyester covering in Trevira CS® fabric
	Single material and 100% recyclable
	Eco friendly – Greenguard Gold
	Durable, tackable double-sided surface
	Patented variable density composition
	Class A sound absorption with NRC 1.0 (ISO 354/ASTM C423/ISO 11654)
	Absorbs 94% of human speech frequencies
	Class A fire and smoke safety (UL 723/ASTM E84)
	CAL 133, 117 pass
	Sleek profile at only 1.4” thick
	Wall mounted
Design	Lorenzo Damiani

BLADE PANELS

Call your representative for stock levels and availability



	Color	Part No
	White	40025002
	Silver Gray	40025001
	Charcoal Gray	40025003
	Slate Blue	40025295
	Beige	40020055
	Dove Gray	40025004
	Sun Yellow	40020056**
	Carrot Orange	40025006
	Red	40020057

	Color	Part No
	Rustic Brick	40025287**
	Olive Green	40020058
	Dark Teal	40025303**
	Blue	40025005
	Cool White	40025664**

Special Order Color
MOQ: 60

** Extended lead time

Extended lead time colors require: up to 10–12 weeks

Quick Ship items only show item number without additional notation

For larger swatches & full color options, please refer to pages 32–34.

Panels available in special order colors. Special order colors require:

– MOQ varies from size to size

– Lead time up to 14–16 weeks

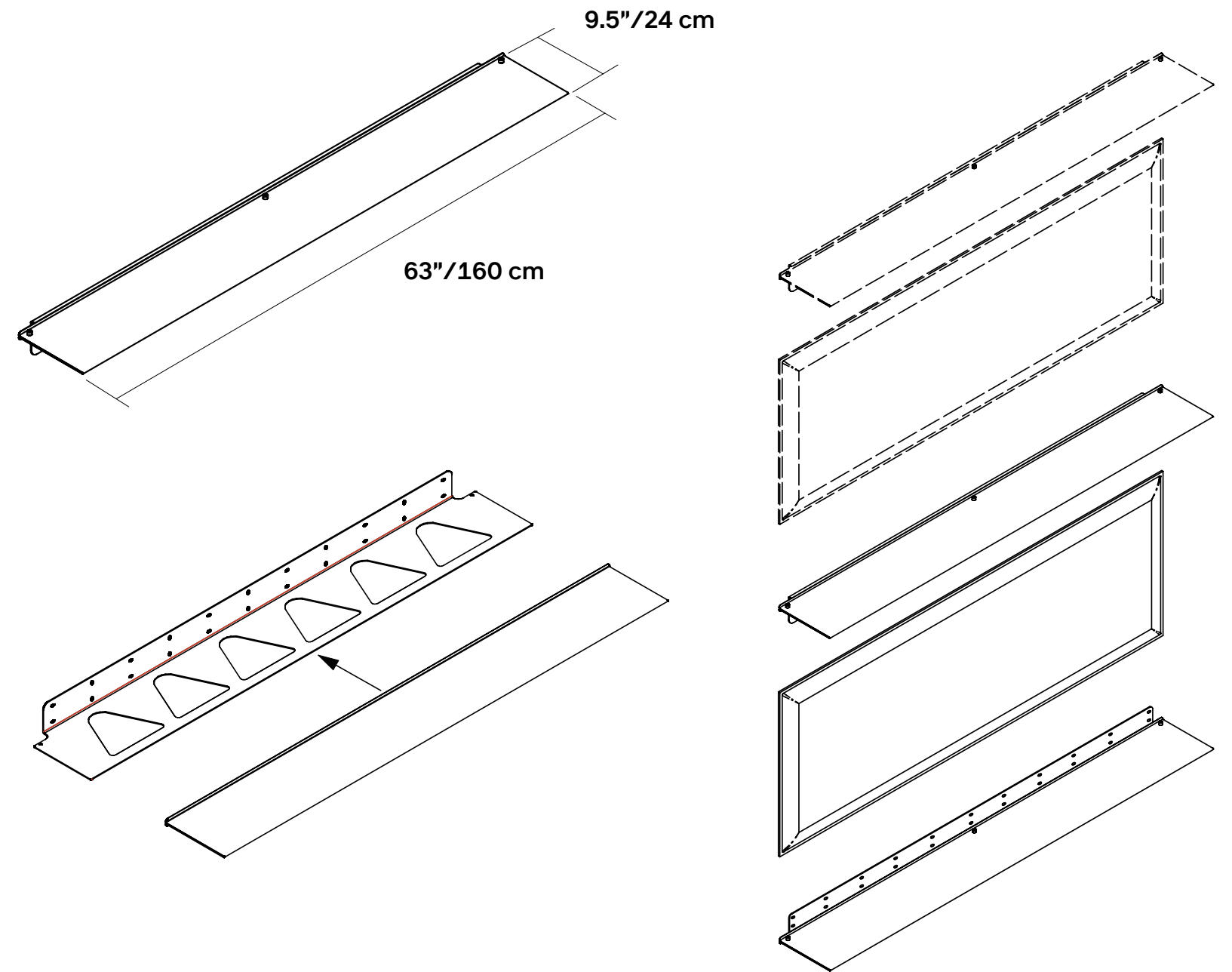
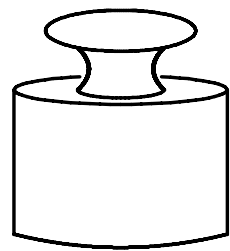
– +10% Custom service fee

POWDER COATED STEEL SHELF

For direct surface mounting on wall. Panels sold separately. Screws to fasten bracket to wall not included.

Self size	63" x 9.5"
Part No	40025009
QTY	01 shelf
Finish	Matte White

MAX LOAD:
66 lbs. per Shelf



BOTANICA



BOTANICA

BOTANICA WALL & CEILING

A modular frame designed for both wall and ceiling installations. Fabricated in chrome-plated tubular steel, it features a distinctive 3D curvature of the tube. The ceiling-mounted version of the frame comes complete with adjustable cables for suspension.

BOTANICA TOTEM

In the free standing version, the 6 adjustable panels are supported by a chrome-plated tubular frame with powder-coated steel base.

BOTANICA SINGLE WALL MOUNT

The single panel can be anchored to the wall with chrome-plated steel bracket.

Specs	Polyester internal padding with SNOWSOUND technology, polyester covering in Trevira CS® fabric
	Single material and 100% recyclable
	Eco friendly – Greenguard Gold
	Durable, tackable double-sided surface
	Patented variable density composition
	Class A sound absorption with NRC 1.0 (ISO 354/ASTM C423/ISO 11654)
	Absorbs 94% of human speech frequencies
	Class A fire and smoke safety (UL 723/ASTM E84) CAL 133, 117 pass
	Sleek profile at only 1.4” thick
	Ceiling mounted/Wall mounted/Freestanding
	CE certified for ceiling application
Design	Mario Trimarchi

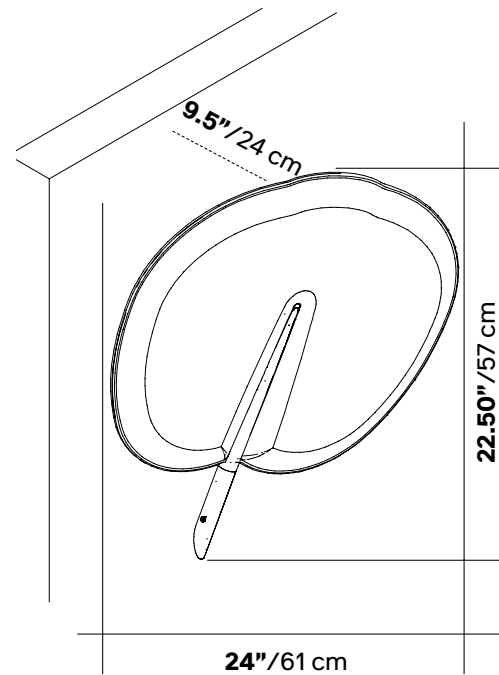


BOTANICA COMPLETE KITS

Call your representative for stock levels and availability

SINGLE PANEL WALL MOUNT

For direct surface mounting on wall.



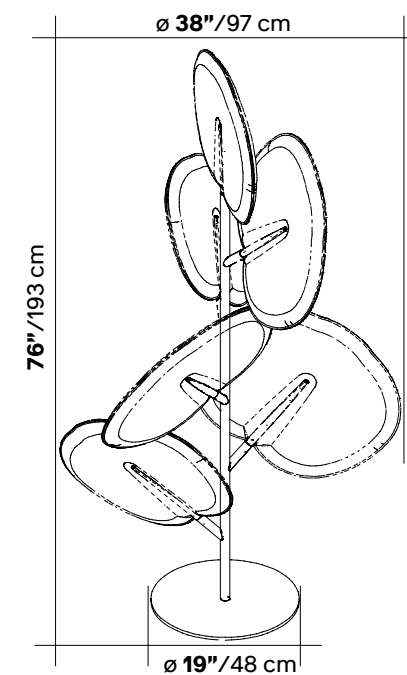
Color	Part No
White	40037042
Olive Green	40037043
Charcoal Gray	40037044

Special Order Color
MOQ: 80

Panels available in special order colors. Special order colors require:

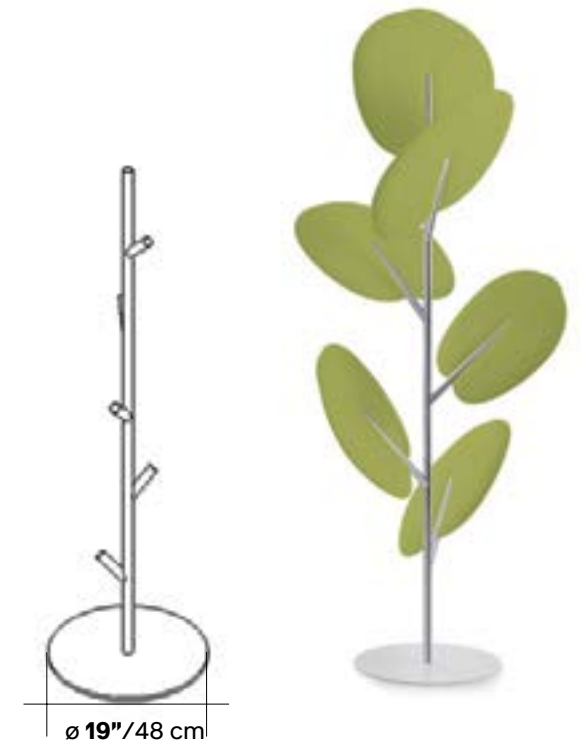
- MOQ varies from size to size
- Lead time up to 14-16 weeks
- +10% Custom service fee

TOTEM



Color	Part No
White	40037045
Olive Green	40037046
Charcoal Gray	40037047

Special Order Color
MOQ: 80



Kit includes	06 Botanica panels
	01 Stand

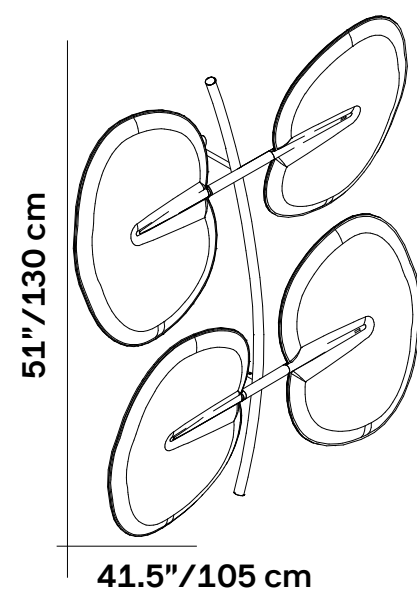
For larger swatches & full color options, please refer to pages 32-34.

BOTANICA COMPLETE KITS

Call your representative for stock levels and availability

4 PANEL WALL MOUNT

For direct surface mounting on wall.



Color	Part No
White	40037048
Olive Green	40037049
Charcoal Gray	40037050

Special Order Color
MOQ: 80

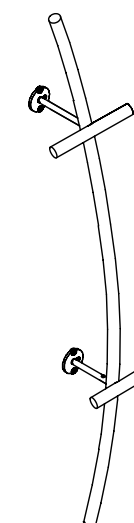
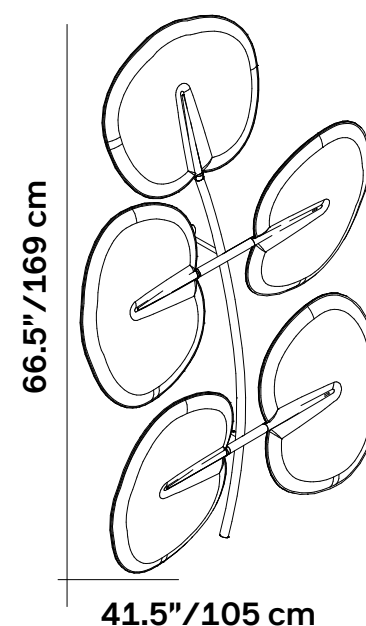
Kit includes	04 Botanica panels
	01 Wall frame

Panels available in special order colors. Special order colors require:

- MOQ varies from size to size
- Lead time up to 14-16 weeks
- +10% Custom service fee

5 PANEL WALL MOUNT

For direct surface mounting on wall.



Color	Part No
White	40037051
Olive Green	40037060
Charcoal Gray	40037061

Special Order Color
MOQ: 80

Kit includes	05 Botanica panels
	01 Wall frame

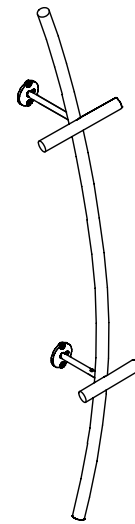
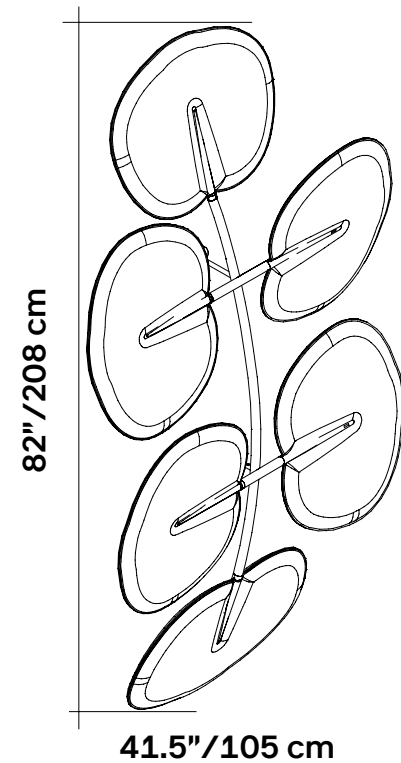
For larger swatches & full color options, please refer to pages 32-34.

BOTANICA COMPLETE KITS

Call your representative for stock levels and availability

6 PANEL WALL MOUNT

For direct surface mounting on wall.



Color	Part No
White	40037052
Olive Green	40037062
Charcoal Gray	40037063

Special Order Color
MOQ: 80

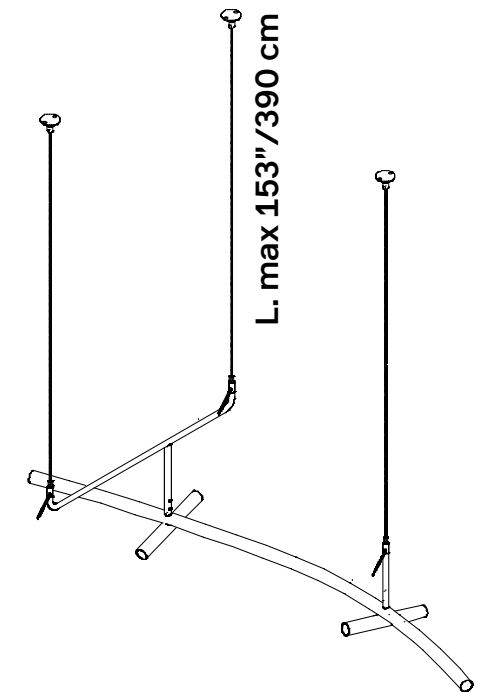
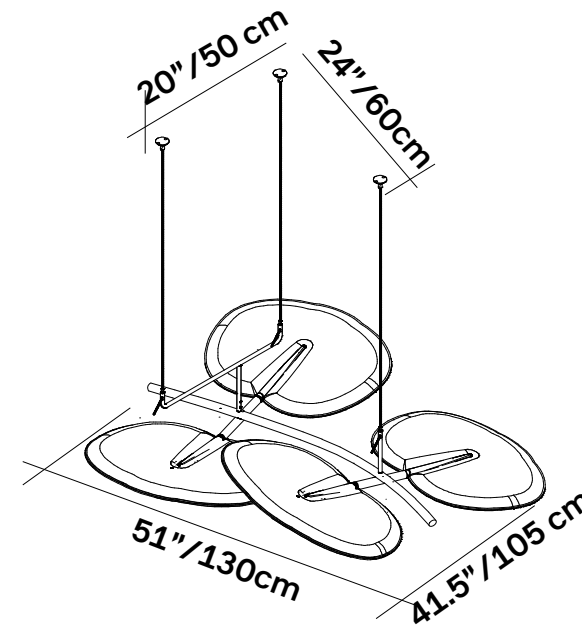
Kit includes	06 Botanica panels
	01 Wall frame

Panels available in special order colors. Special order colors require:

- MOQ varies from size to size
- Lead time up to 14-16 weeks
- +10% Custom service fee

4 PANEL CEILING SUSPENDED

For direct surface mounting on wall.



Color	Part No
White	40037013
Olive Green	40037014
Charcoal Gray	40037015

Special Order Color
MOQ: 80

Kit includes	04 Botanica panels
	01 Ceiling frame
	03 Ceiling plates
	03 Cables

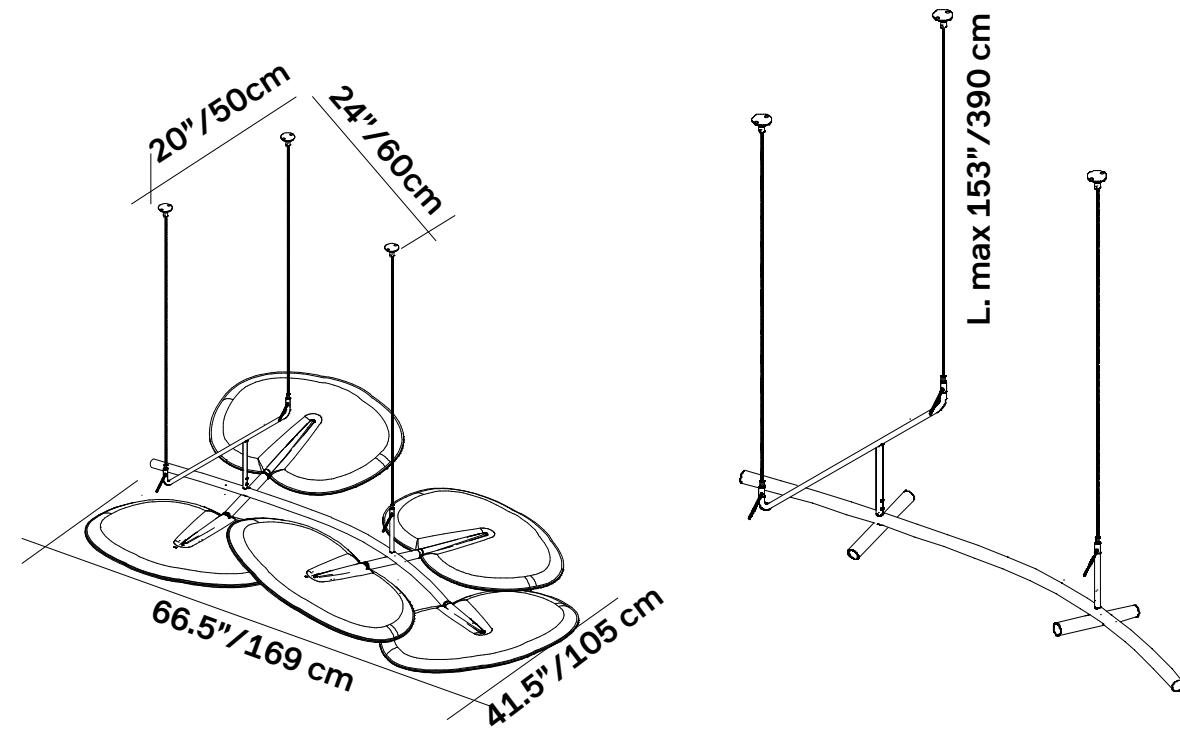
For larger swatches & full color options, please refer to pages 32-34.

BOTANICA COMPLETE KITS

Call your representative for stock levels and availability

5 PANEL CEILING SUSPENDED

For direct surface mounting on wall.



Color	Part No	Kit includes	05 Botanica panels
White	40037016		01 Ceiling frame
			03 Ceiling plates
Olive	40037017		03 Cables
Green			
Charcoal	40037018		
Gray			

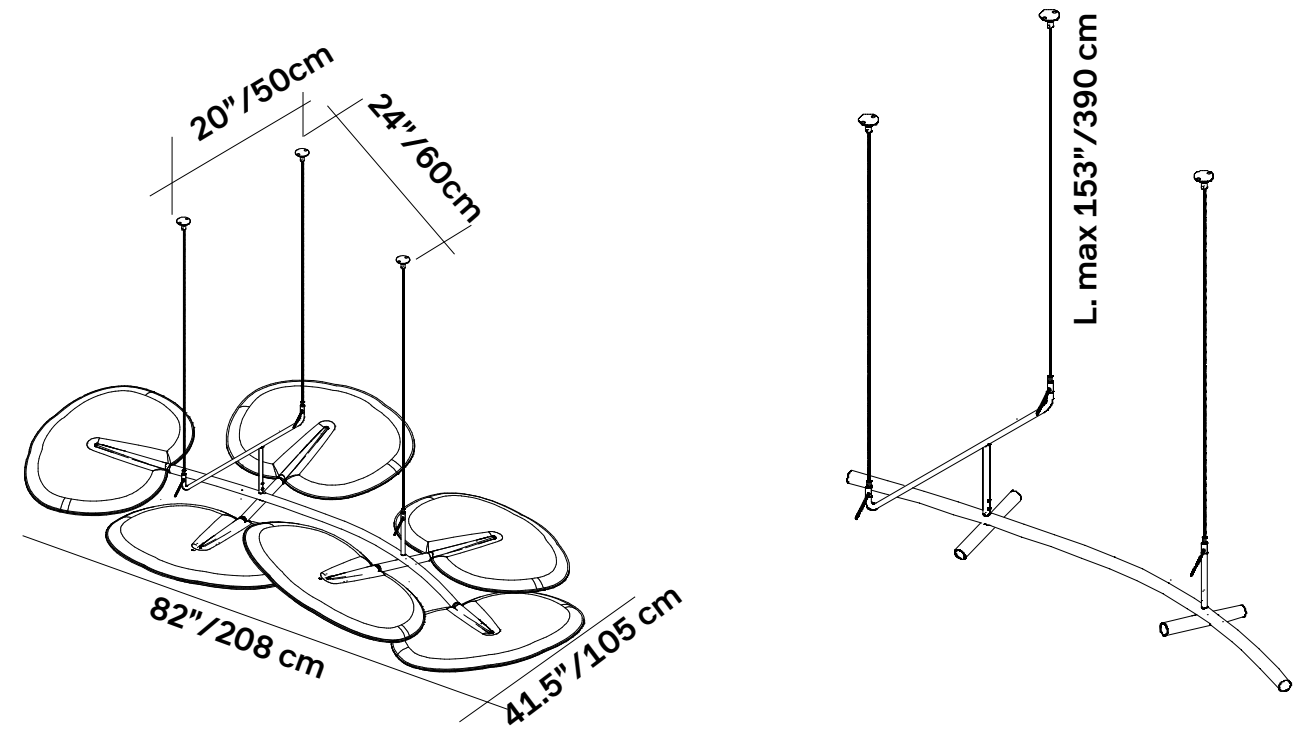
Special Order Color
MOQ: 80

Panels available in special order colors. Special order colors require:

- MOQ varies from size to size
- Lead time up to 14-16 weeks
- +10% Custom service fee

6 PANEL CEILING SUSPENDED

For direct surface mounting on wall.



Color	Part No	Kit includes	06 Botanica panels
White	40037019		01 Ceiling frame
			03 Ceiling plates
Olive	40037020		03 Cables
Green			
Charcoal	40037021		
Gray			

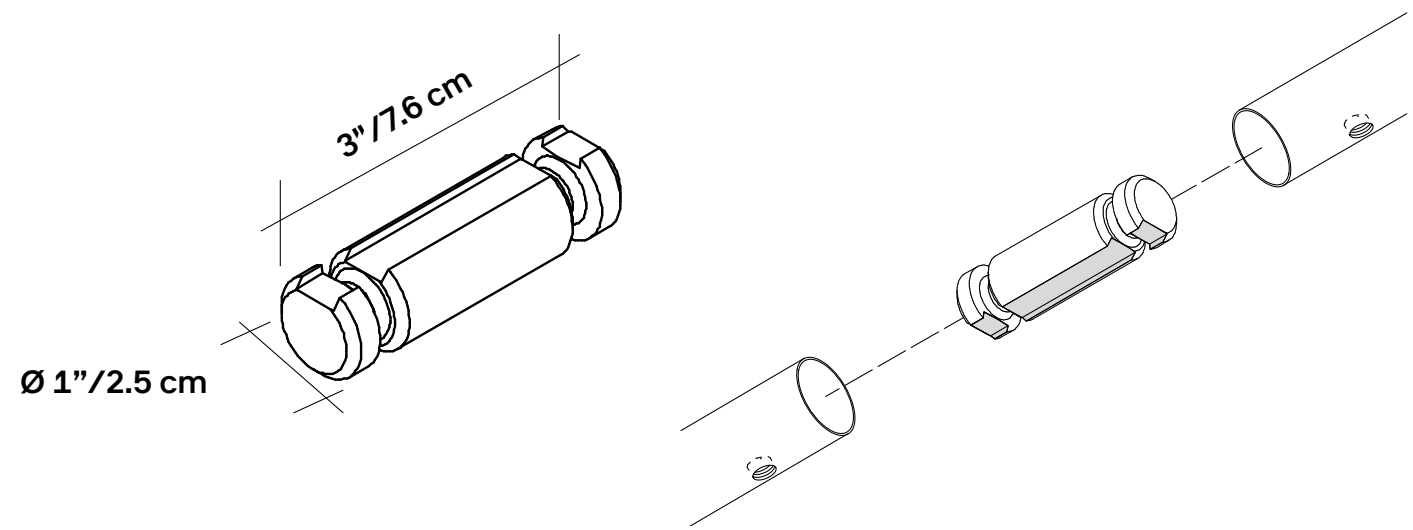
Special Order Color
MOQ: 80

For larger swatches & full color options, please refer to pages 32-34.

CONNECTING JOINT

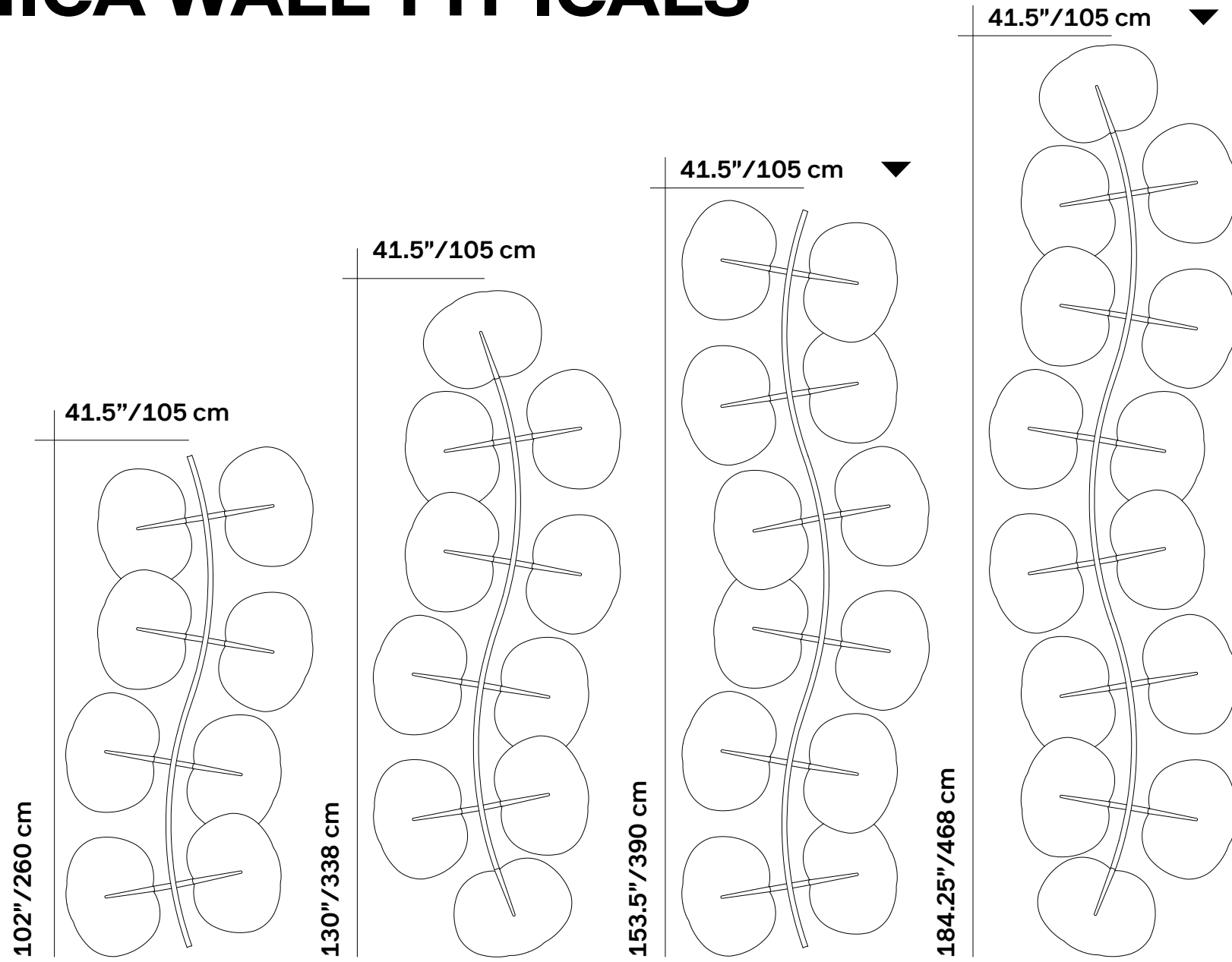
For direct surface mounting on wall. Panels sold separately. Screws to fasten bracket to wall not included.

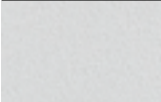


Part No	40037007
QTY	02
Finish	Chrome



BOTANICA WALL TYPICALS

Call your representative for stock levels and availability

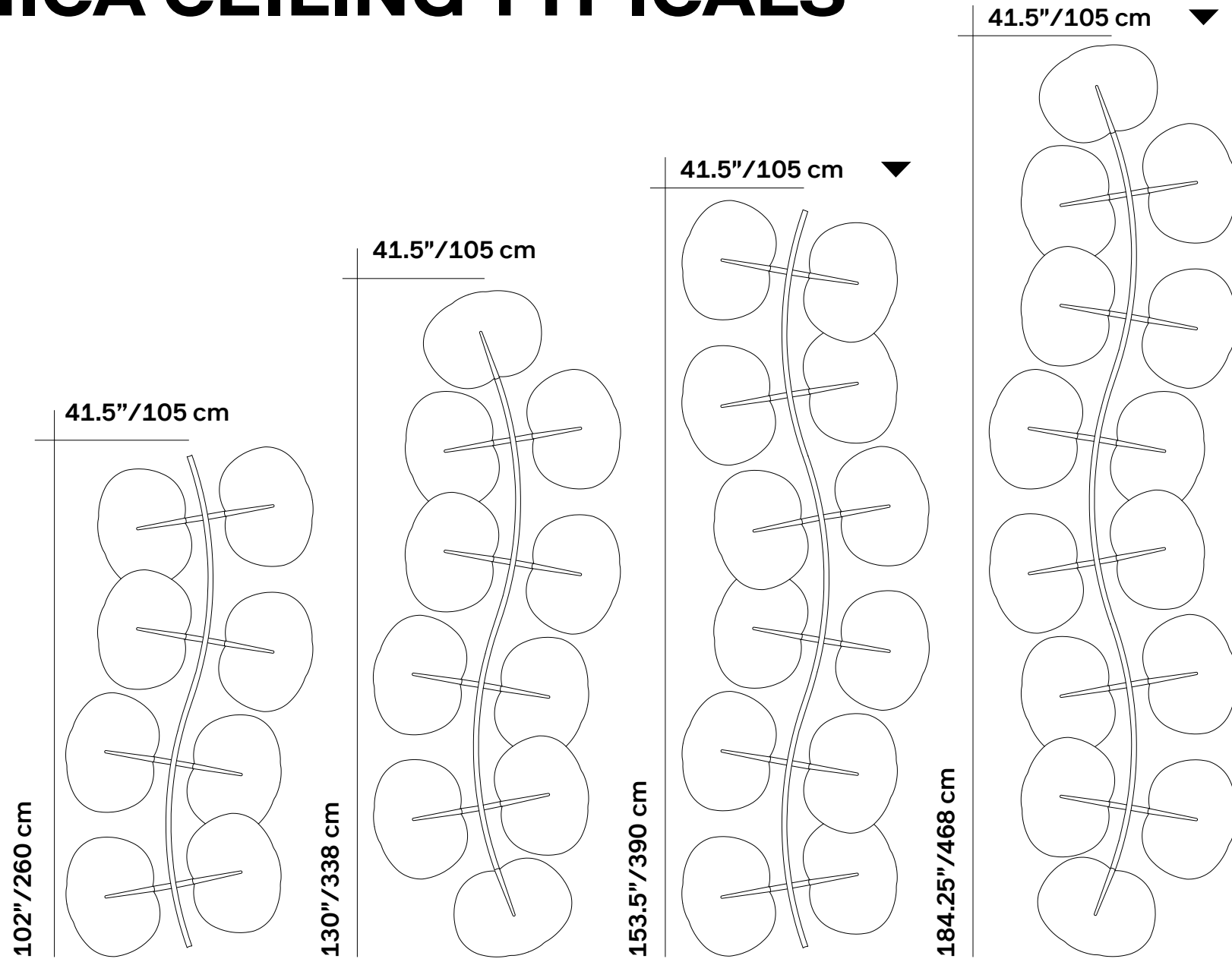


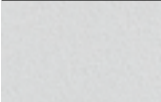


	Color	Part No	Part No	Part No	Part No
	White	40037053	40037066	40037059	40037070
	Olive Green	40037064	40037067	40037069	40037071
	Charcoal Gray	40037065	40037054	40037055	40037056

For larger swatches & full color options, please refer to pages 32–34.

BOTANICA CEILING TYPICALS

Call your representative for stock levels and availability



	Color	Part No	Part No	Part No	Part No
	White	40037022	40037025	40037028	40037031
	Olive Green	40037023	40037026	40037029	40037032
	Charcoal Gray	40037024	40037027	40037030	40037033

For larger swatches & full color options, please refer to pages 32–34.

BOW



BOW



BOW is a system of scalable, modular, sound-absorbing elements inspired by the shapes of boat bows and hulls. The Bow product family consists of two elements, each boasting a sculptural, raised profile that creates an air gap between the panel and the wall. Bow's two shapes—Hourglass and Shield—are modular, complementary, and can be nested together like precisely machined puzzle pieces. The elements attach to the wall or ceiling by means of special metal attachments and magnets, making them easy to reposition and remove.

Specs	Polyester internal padding with SNOWSOUND technology, polyester covering in Trevira CS® fabric
	Single material and 100% recyclable
	Eco friendly – Greenguard Gold
	Durable, tackable double-sided surface
	Patented variable density composition
	Class A sound absorption with NRC 1.0 (ISO 354/ASTM C423/ISO 11654)
	Absorbs 94% of human speech frequencies
	Class A fire and smoke safety (UL 723/ASTM E84)
	CAL 133, 117 pass
	3D dimensional composition with sleek profile at only 1.4" thick
	Ceiling mounted/Wall mounted
Design	King & Miranda

BOW HOURGLASS & BOW SHIELD

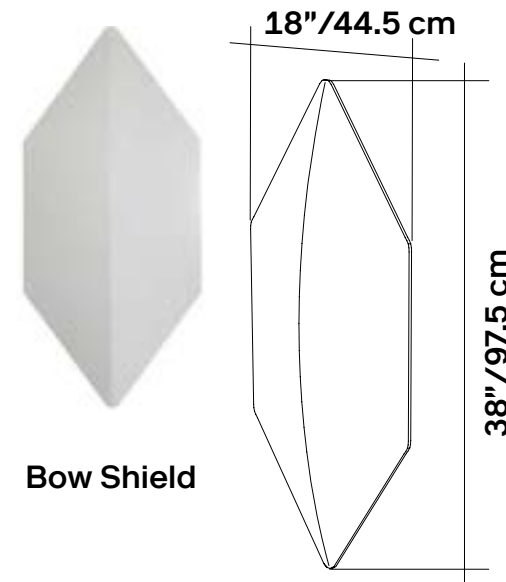
Call your representative for stock levels and availability

Ceiling support cables **REQUIRED** whenever Bow “Hourglass” and Bow “Shield” are applied to the ceiling.



Bow Hourglass

Maximum Depth
3"/7.5cm



Bow Shield

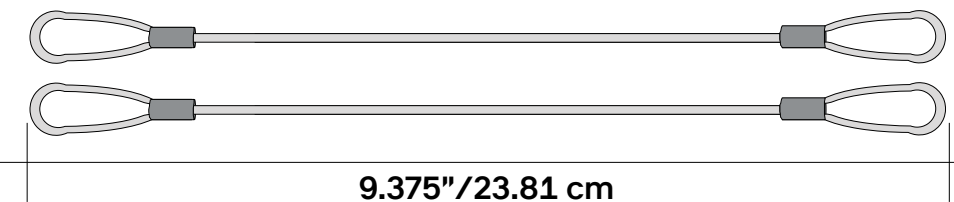
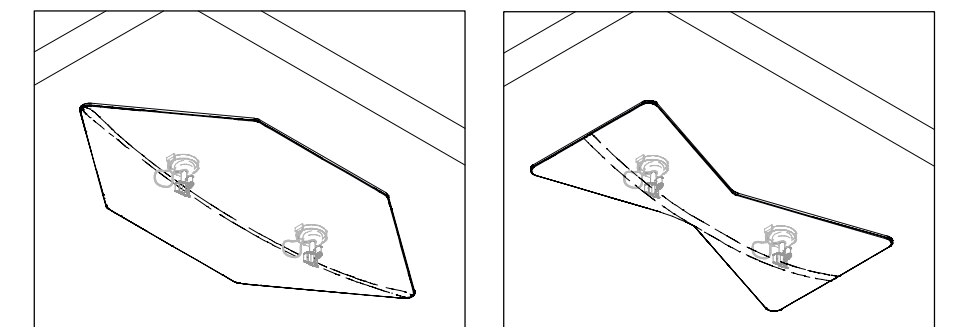
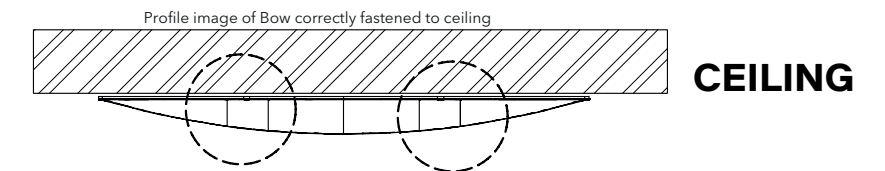
Maximum Depth
3"/7.5cm

Color	Part No	Part No
White	40046005	40046006
	Special Order Color MOQ: 70	Special Order Color MOQ: 60

Ceiling cable length	9.375"/23.81 cm
Part No	40046007
QTY	2
Finish	Chrome

Kit includes	01 panel
	01 set of mounting hardware

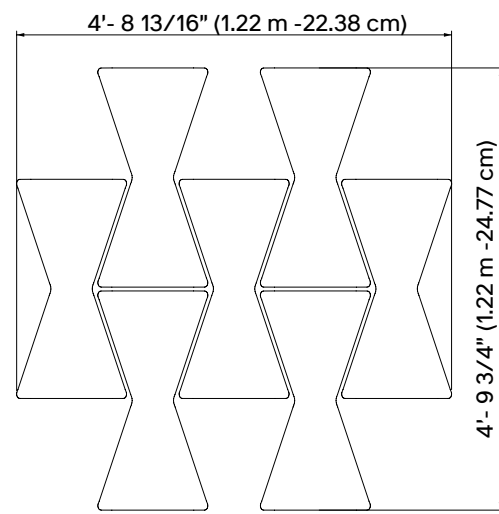
* Wall & ceiling mountable



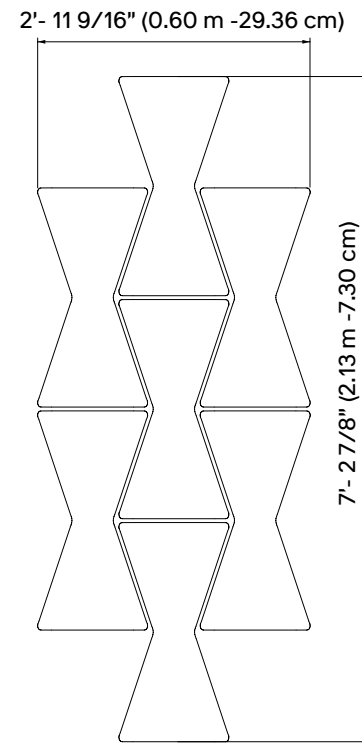
Panels available in special order colors. Special order colors require:

- MOQ varies from size to size
- Lead time up to 14-16 weeks
- +10% Custom service fee

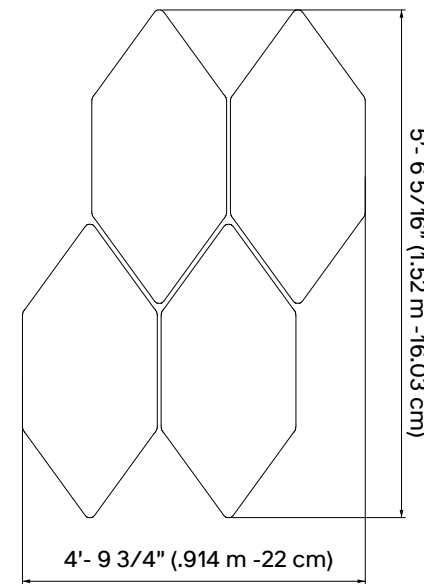
BOW WALL TYPICALS



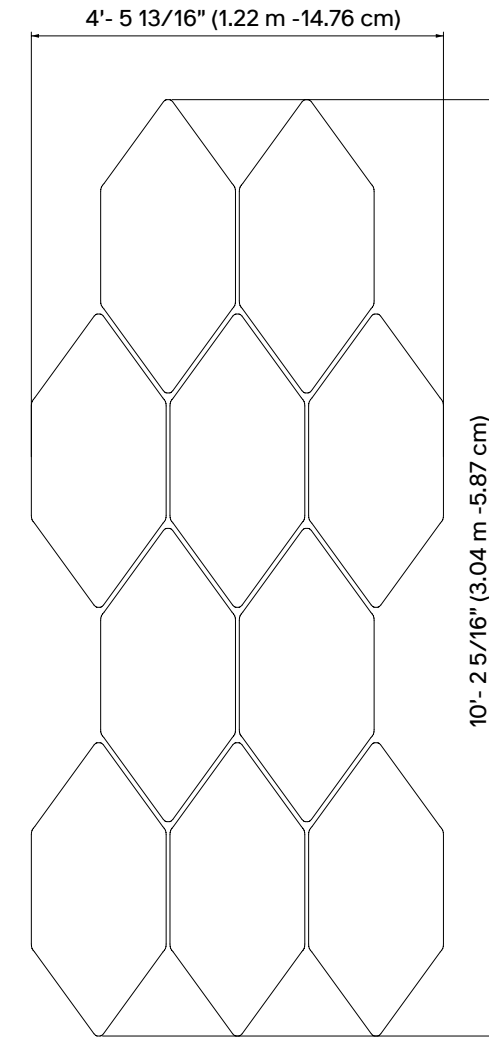
Panels 7 Hourglass Panels



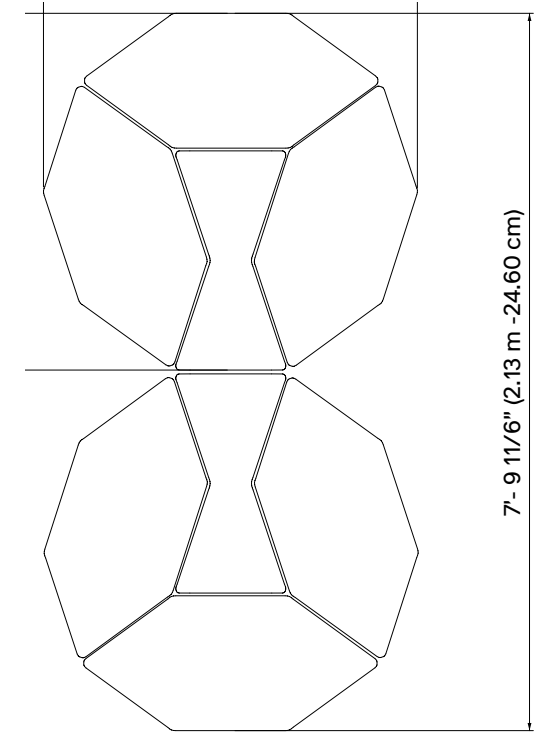
7 Hourglass Panels



4 Shield Panels



10 Shield Panels



**6 Shield Panels
2 Hourglass Panels**

CLIMBING



CLIMBING



CLIMBING (WALL MOUNTED) is an organic system that offers free combinability, transcending the rules of regularity. Formally and conceptually inspired by nature, it creates unique and diverse surfaces. The volumes, reminiscent of pebbles and stone walls, generate a distinct and irregular interplay of light, enhancing acoustic performance.

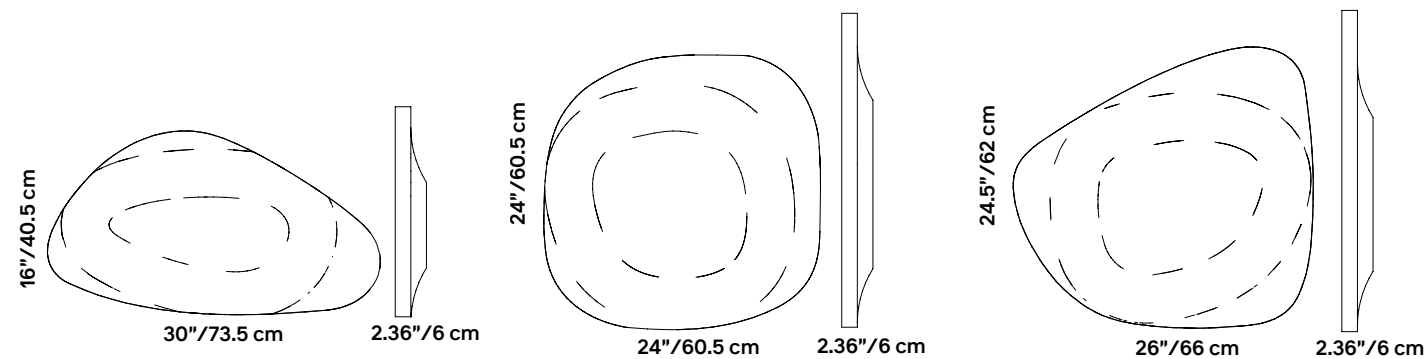
Specs	Single material and 100% recyclable
	Eco friendly – Greenguard Gold
	Class A sound absorption with (ISO 354)
	Class A fire and smoke safety (UL 723/ASTM E84)
	CAL 133, 117 pass
	Wall mounted
Design	Rafaello Manzoni

CLIMBING COMPLETE KIT FIBER 3

Call your representative for stock levels and availability.

Climbing panels are “made-to-order.” Lead time 12 weeks (month of August excluded). Final screws to fasten bracket to wall not included.

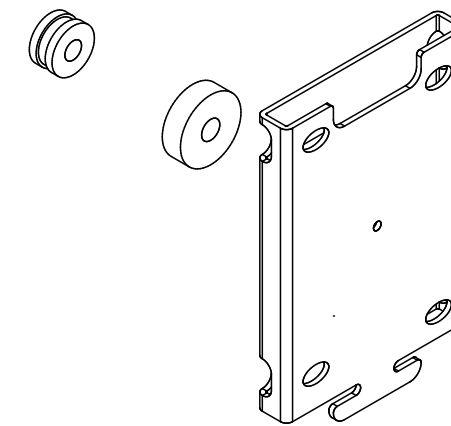
Kit includes	01 Climbing panel
	Magnetic mounting brackets









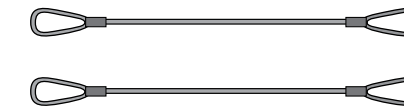
16" x 30"

24" x 24"

24.5" x 26"



Color	Part No	Part No	Part No
 300 Gray Ice	CLM1F3-300	CLM2F3-300	CLM3F3-300
 305 Anthracite	CLM1F3-302	CLM2F3-302	CLM3F3-302
 309 Gray Green	CLM1F3-309	CLM2F3-309	CLM3F3-309
 311 Carbon Gray	CLM1F3-311	CLM2F3-311	CLM3F3-311
 312 Patina	CLM1F3-312	CLM2F3-312	CLM3F3-312
 313 Evergreen	CLM1F3-313	CLM2F3-313	CLM3F3-313



Optional Safety Cables

Panel size	Fits All Sizes
Part No	40046007
QTY	01 Pair
Finish	Steel

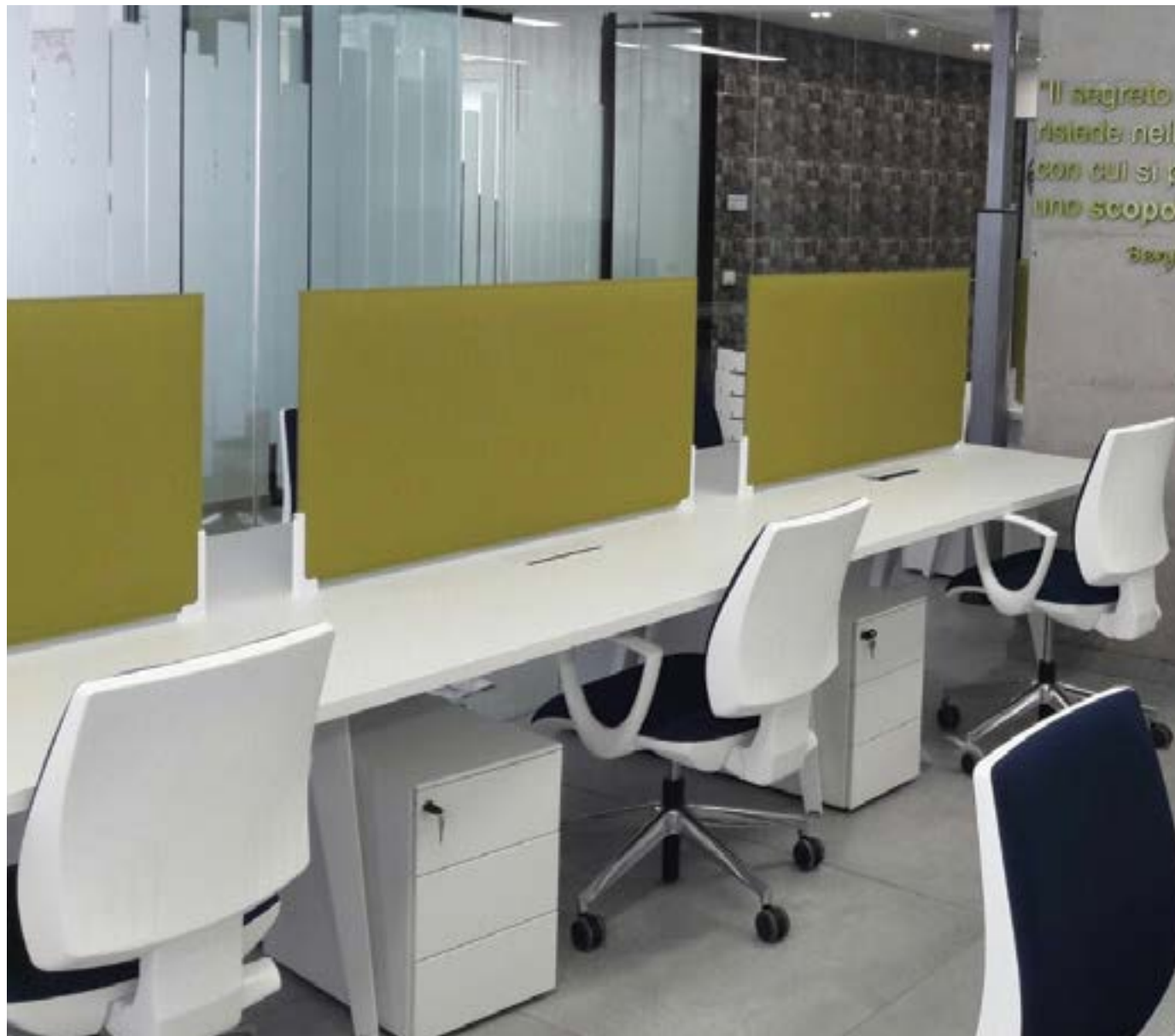
For larger swatches & full color options, Please refer to pages 300-303.

CORNER

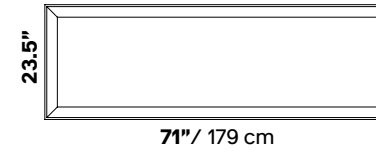
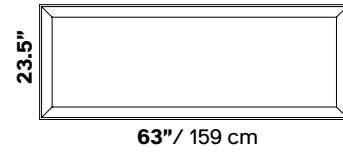
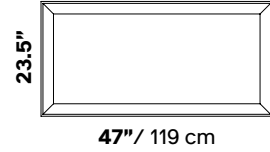
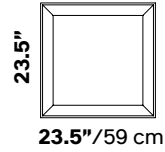


CORNER

CORNER is a system that utilizes Snowsound® patented acoustic panels to partition workspaces, providing a visual barrier while enhancing acoustic comfort. The ultra-thin 35 mm panels are coupled with desk mounting hardware that seamlessly connects the panel's 'corners.' This system can be retrofitted into existing spaces or specified as an architectural element during the design phase.



Specs	Polyester internal padding with SNOWSOUND technology, polyester covering in Trevira CS® fabric
	Single material and 100% recyclable
	Eco friendly – Greenguard Gold
	Durable, tackable double-sided surface
	Patented variable density composition
	Class A sound absorption with NRC 1.0 (ISO 354/ASTM C423/ISO 11654)
	Absorbs 94% of human speech frequencies
	Class A fire and smoke safety (UL 723/ASTM E84)
	CAL 133, 117 pass
	Sleek profile at only 1.4” thick
	Desk mounted
Design	Mark Sadler



	Color	Part No	Part No	Part No	Part No
	White	40025140	40025649	40025002	
	Silver	40025141	40025650	40025001	40025661
	Gray				
	Charcoal	40025142	40025651	40025003	40025723
	Gray				
	Slate	40025296	40025659	40025295	40025663
	Blue				
	Beige	40025207**	40025652**	40020055**	
	Dove	40025208**	40025653**	40025004**	
	Gray				
	Sun	40025209**	40025654**	40020056**	
	Yellow				
	Carrot	40025211**	40025655**	40025006**	
	Orange				
	Red	40025210**	40025656**	40020057**	
		Special Order Color MOQ: 70	Special Order Color MOQ: 50	Special Order Color MOQ: 50	Special Order Color MOQ: 30

** Extended lead time

Extended lead time colors require: up to 10–12 weeks

Quick Ship items only show item number without additional notation

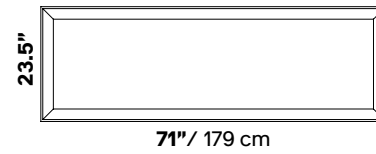
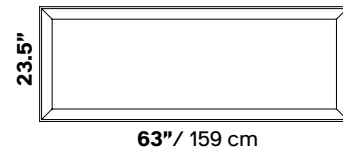
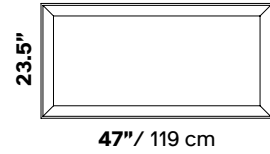
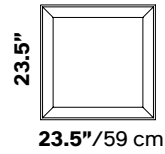
For larger swatches & full color options, please refer to pages 32–34.



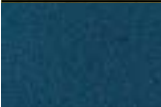


Panels available in special order colors. Special order colors require:

– MOQ varies from size to size

– Lead time up to 14–16 weeks

– +10% Custom service fee



	Color	Part No	Part No	Part No	Part No
	Rustic Brick	40025288**	40025658**	40025287**	
	Olive Green	40025213**	40025657**	40020058**	
	Dark Teal	40025304**	40025660**	40025303**	
	Blue			40025005**	
	Cool White		40025679**	40025664**	
		Special Order Color MOQ: 70	Special Order Color MOQ: 50	Special Order Color MOQ: 50	Special Order Color MOQ: 30

** Extended lead time

Extended lead time colors require: up to 10–12 weeks

Quick Ship items only show item number without additional notation

For larger swatches & full color options, please refer to pages 32–34.

Panels available in special order colors. Special order colors require:

– MOQ varies from size to size

– Lead time up to 14–16 weeks

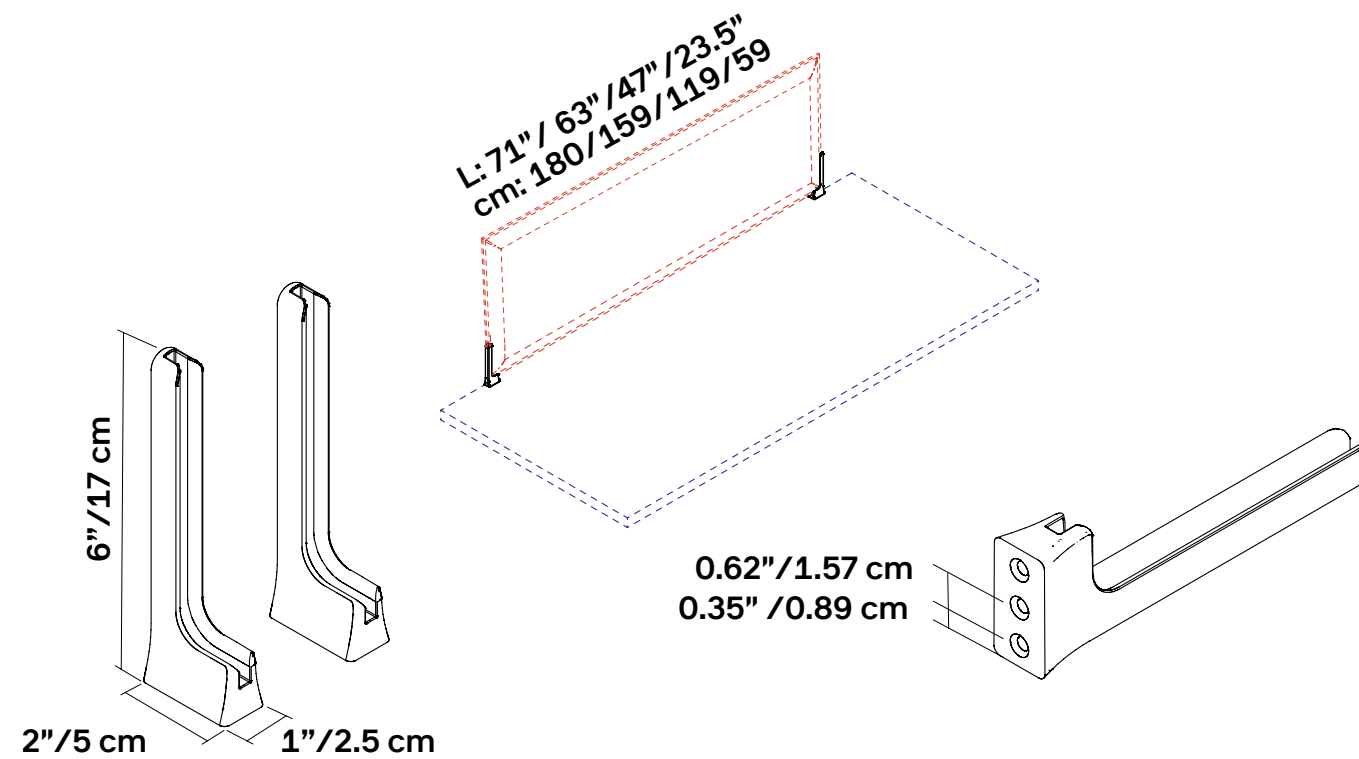
– +10% Custom service fee

CORNER PANELS BRACKETS

DIRECT MOUNT BRACKET

Pair of direct mount brackets in powder-coated zamac to be fixed to desktop with screws (screws not included).

Panel size	Fits All Sizes	Fits All Sizes
Part No	40025007	40025008
QTY	01 pair	01 pair
Finish	Silver Gray	Matte White



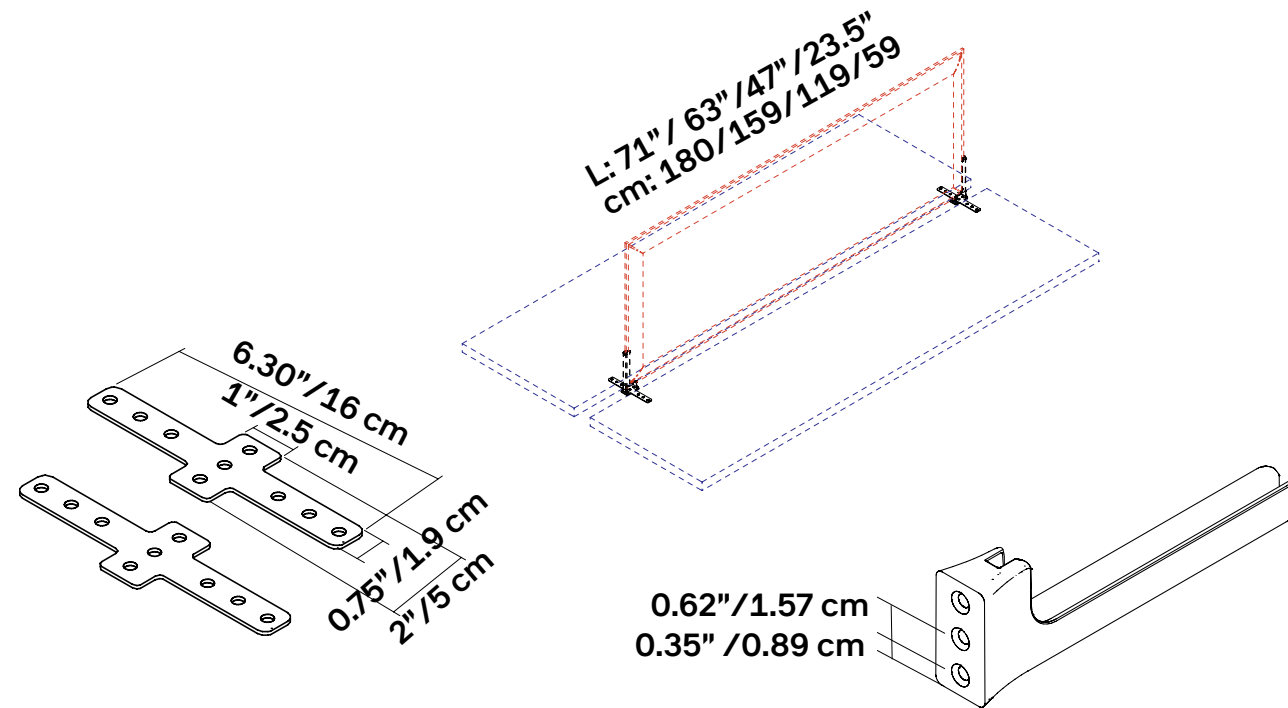
CORNER PANELS BRACKETS

BRIDGE BRACKETS

Pair of bridge brackets to use corner panel between 2 desks.

To be used with brackets (Part #40025007 silver gray or #40025008 matte white).

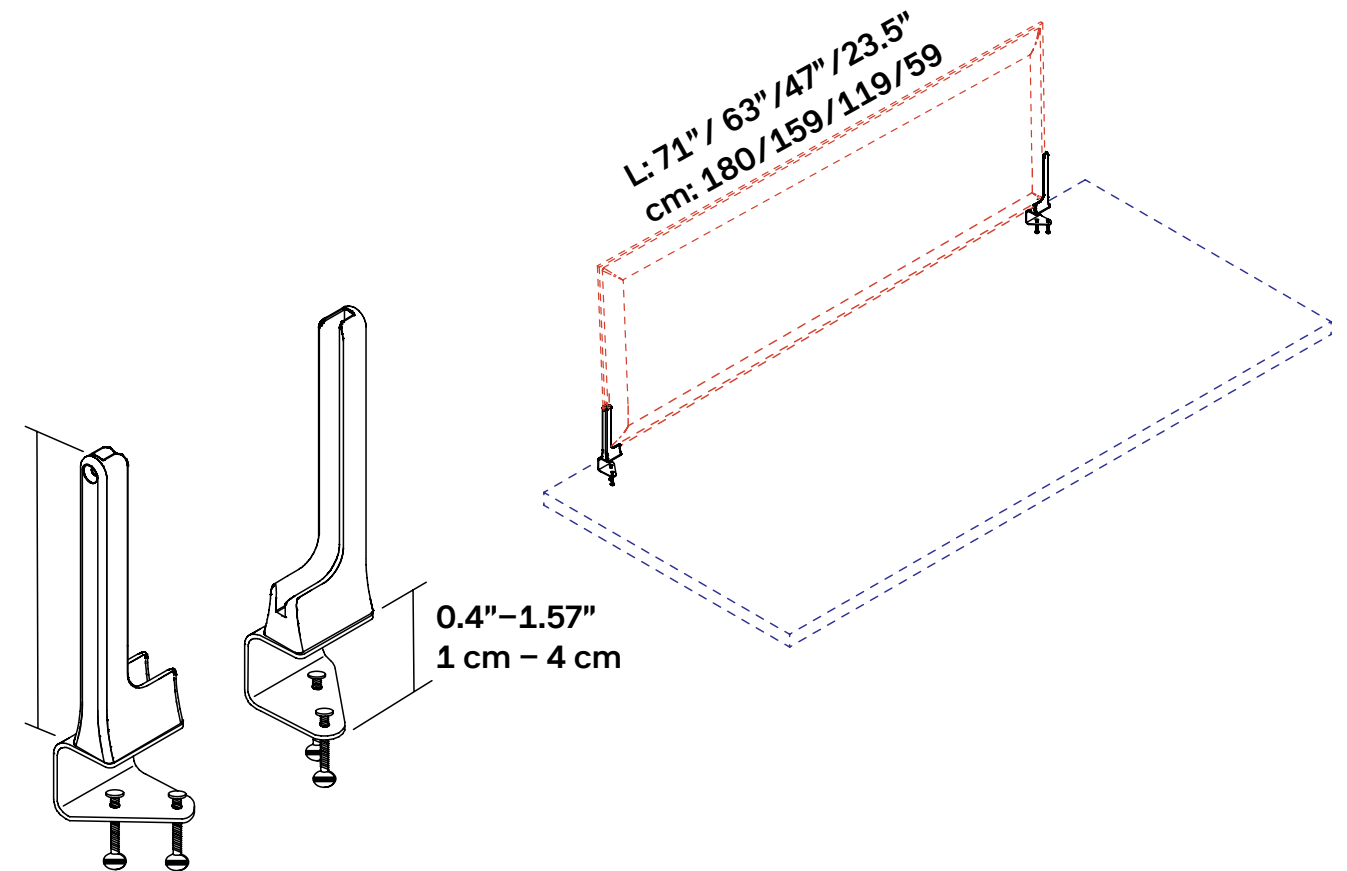
Panel size	Fits All Sizes	Fits All Sizes
Part No	40025016	40025017
QTY	01 pair	01 pair
Finish	Silver Gray	Matte White



CLAMP BRACKETS

Pair of brackets with clamp connection in powder-coated steel and zamac for connection to the desktop.

Panel size	Fits All Sizes	Fits All Sizes
Part No	40025067	40025066
QTY	01 pair	01 pair
Finish	Silver Gray	Matte White

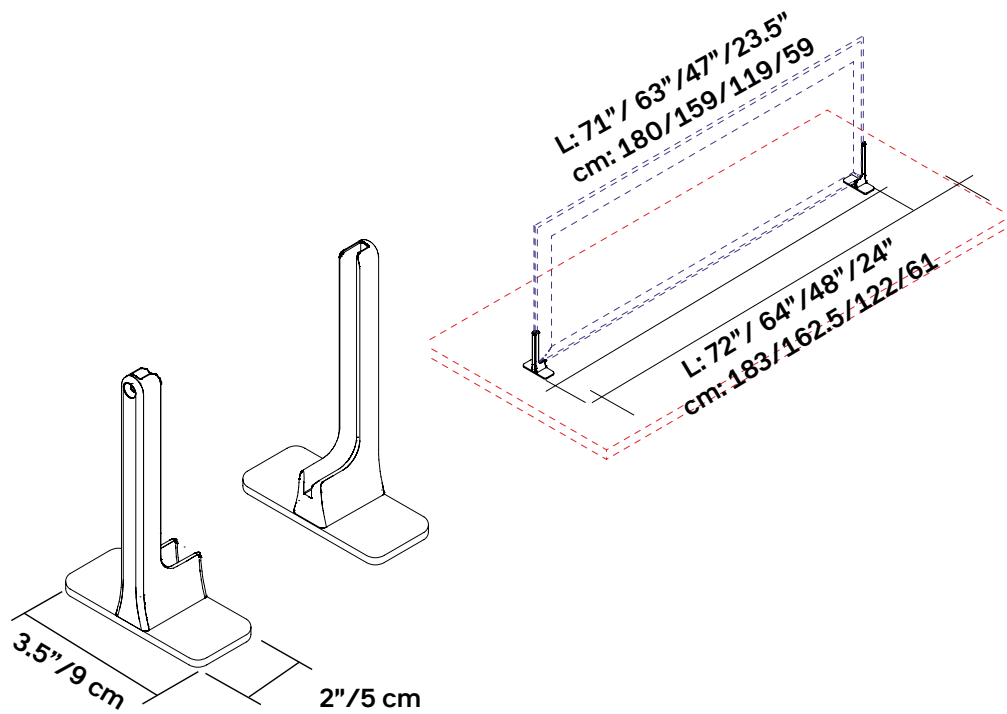


CORNER PANELS BRACKETS

SHORT FREE-STANDING BASES

Pair of free-standing brackets with weighted bases in powder-coated steel are used as desktop dividers.

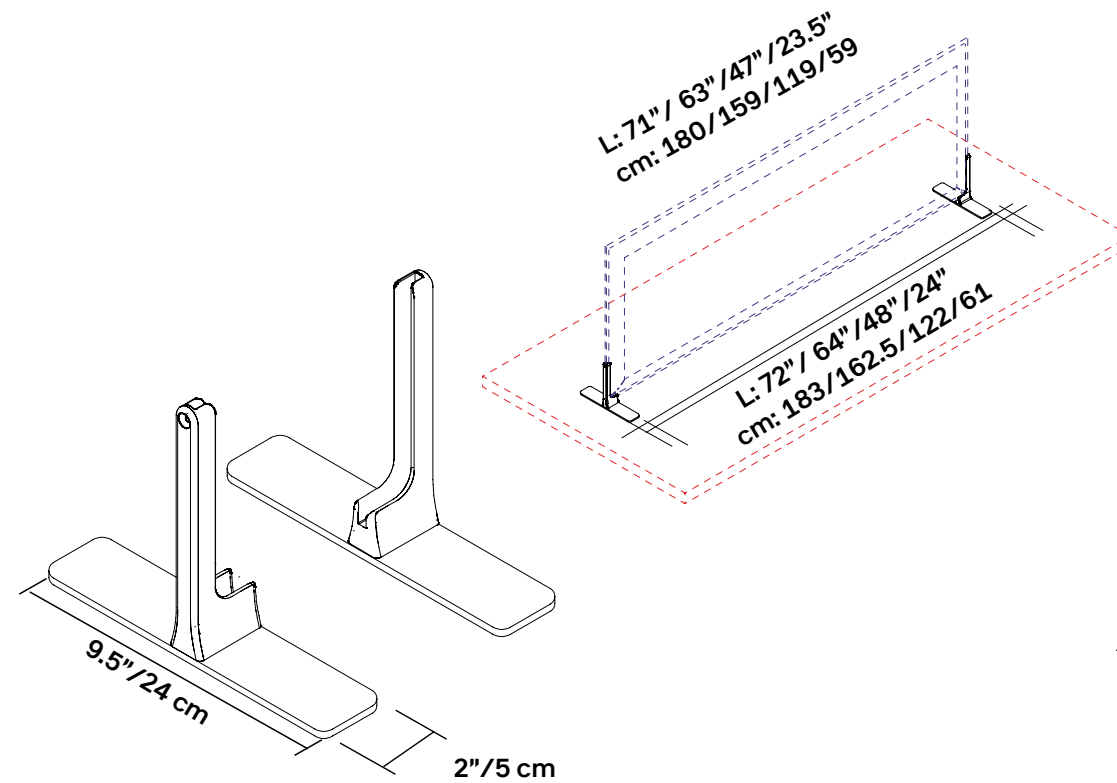
Panel size	Fits All Sizes	Fits All Sizes
Part No	40025095	40025149
QTY	01 pair	01 pair
Finish	Silver Gray	Matte White



LONG FREE-STANDING BASES

Pair of free-standing brackets with weighted bases in powder-coated steel are used as desktop dividers.

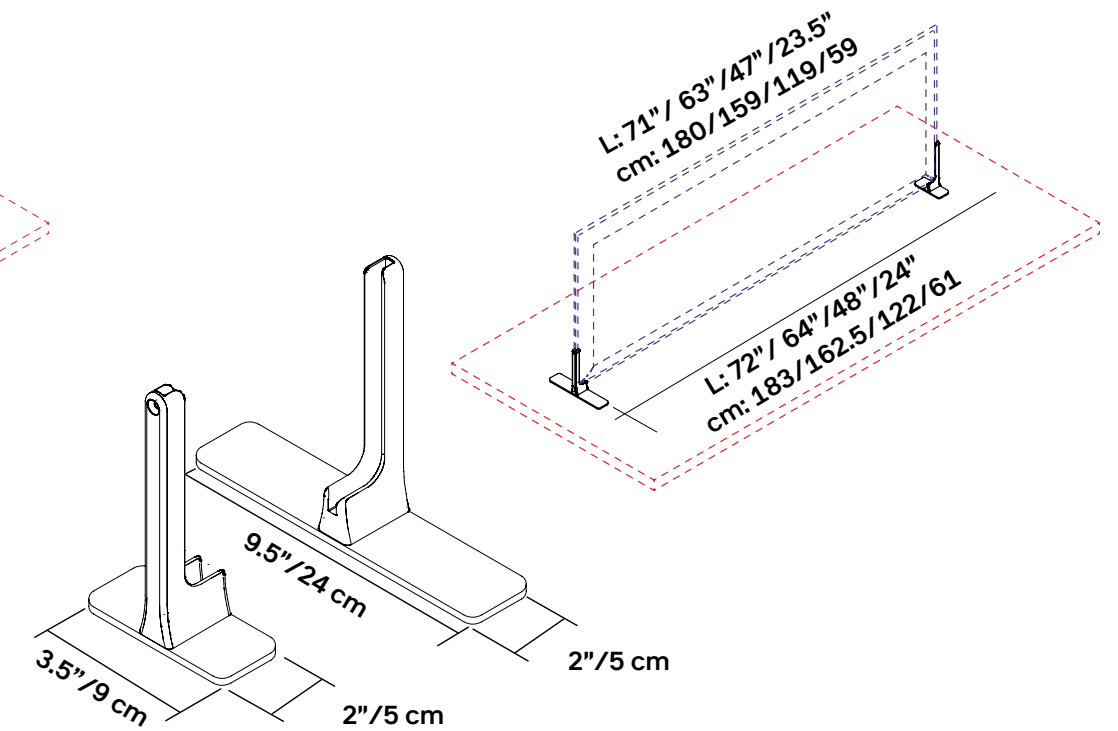
Panel size	Fits All Sizes	Fits All Sizes
Part No	40025150	40025151
QTY	01 pair	01 pair
Finish	Silver Gray	Matte White



SHORT & LONG FREE-STANDING BASES

Two different size desktop brackets with weighted base plates for free-standing applications. The two sizes differ in the length of the supporting feet.

Panel size	Fits All Sizes	Fits All Sizes
Part No	40025103	40025104
QTY	01 pair	01 pair
Finish	Silver Gray	Matte White

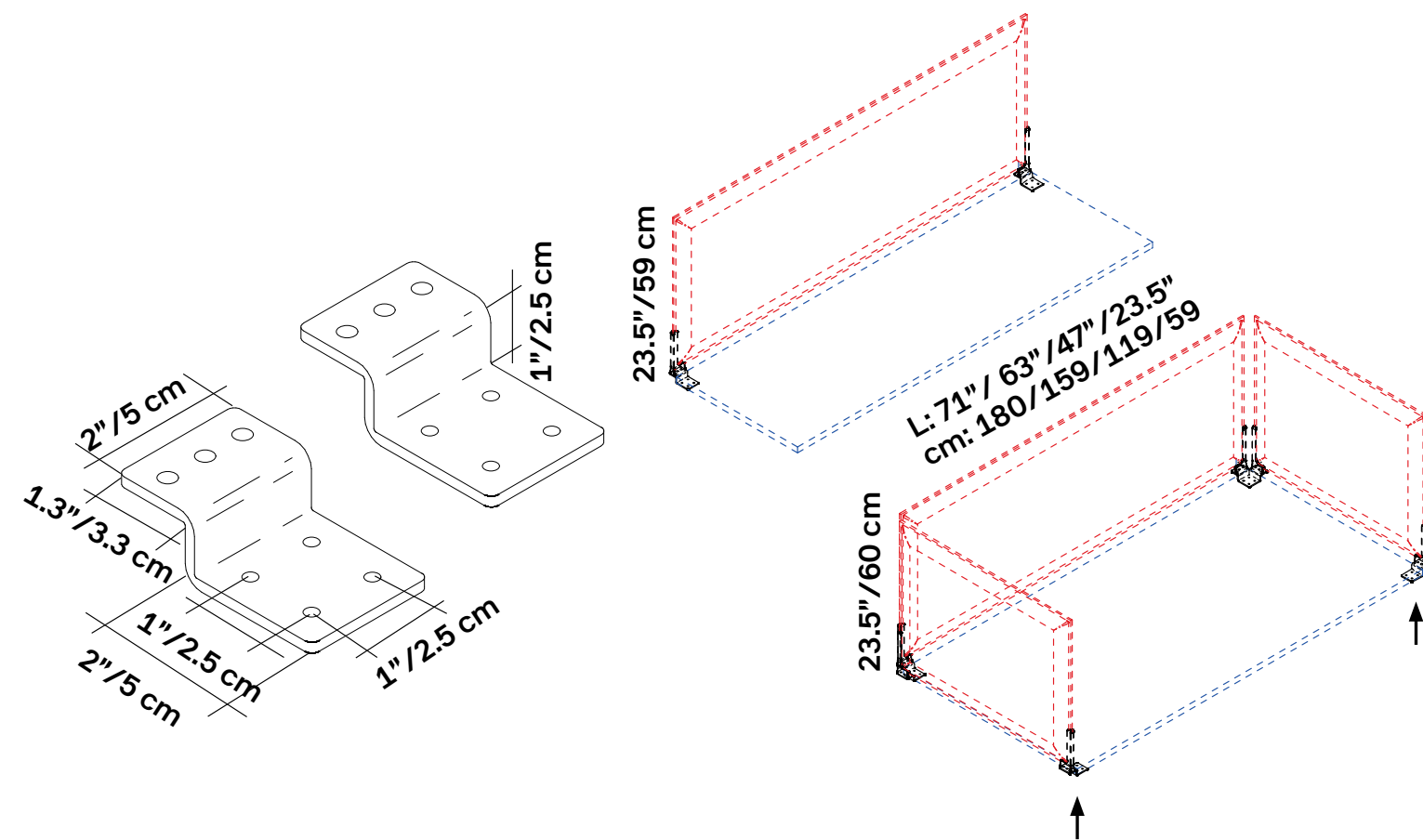


CORNER PANELS BRACKETS

DIRECT MOUNT BRACKETS FIXED TO DESKTOP

Pair of brackets with clamp connection in powder-coated steel and zamac for connection to the desktop.

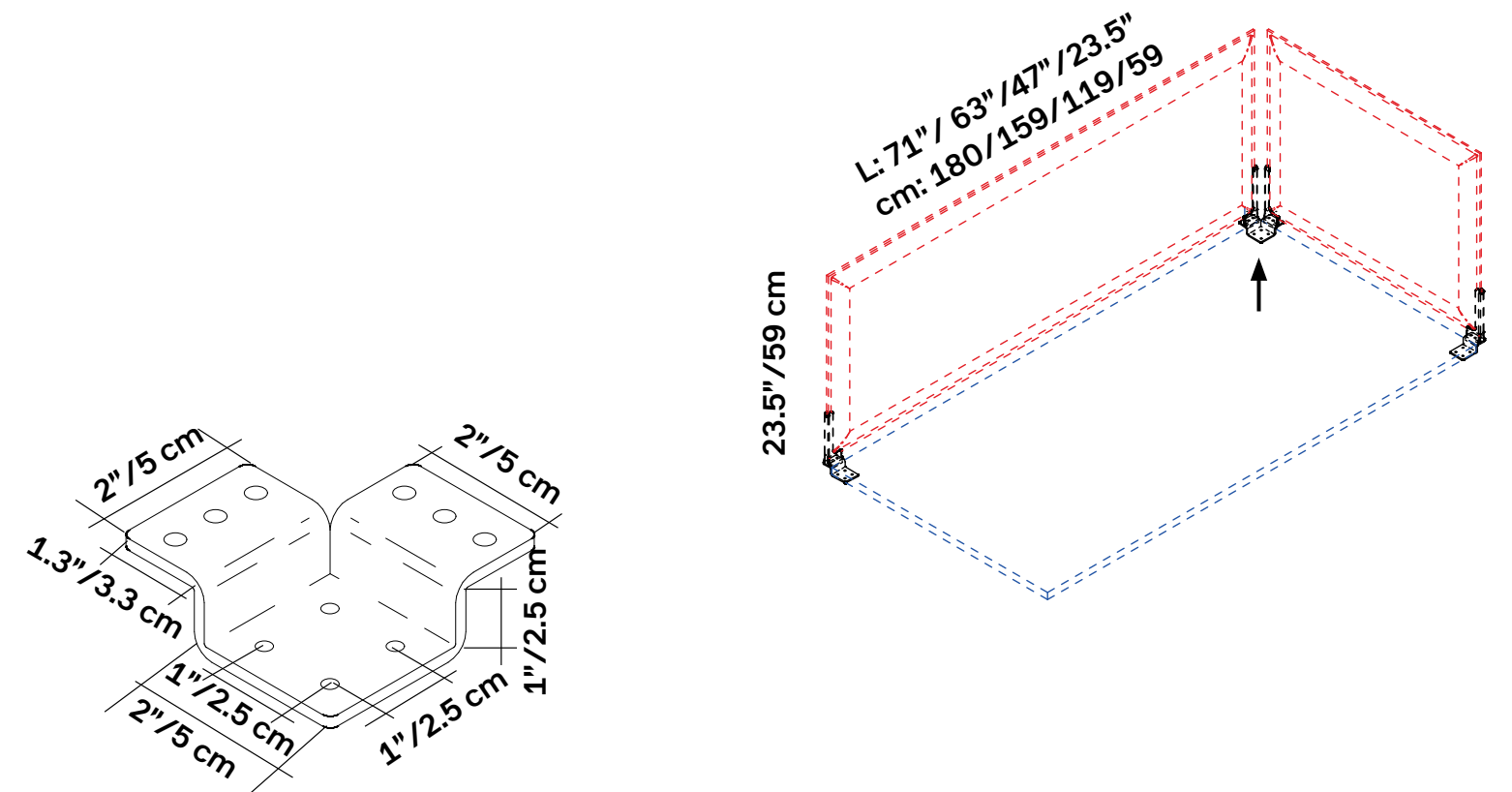
Panel size	Fits All Sizes	Fits All Sizes
Part No	40025262	40025263
QTY	01 pair	01 pair
Finish	Silver Gray	Matte White



DIRECT MOUNT BRACKETS FOR CORNERS

Pair of free-standing brackets with weighted bases in powder-coated steel are used as desktop dividers.

Panel size	Fits All Sizes	Fits All Sizes
Part No	40025260	40025261
QTY	01 pair	01 pair
Finish	Silver Gray	Matte White



DISC



DISC

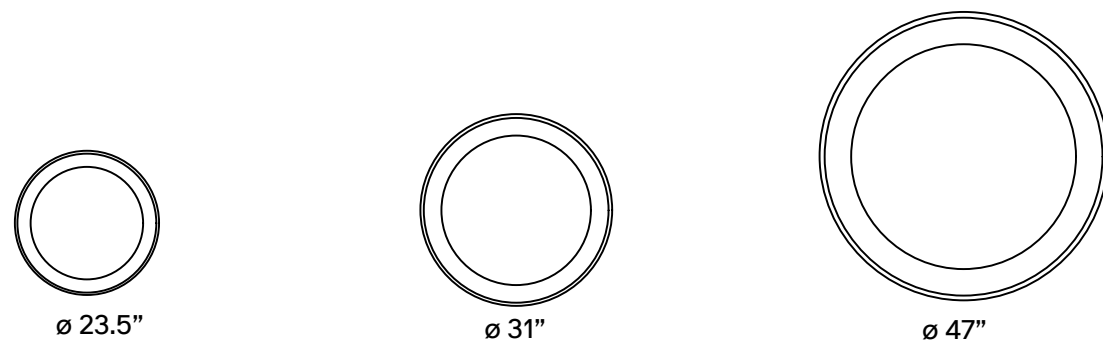
DISC is a panel featuring polyester internal padding with Snowsound® Technology variable density and covered in Trevira CS® fabric. It offers a quick and easy wall mounting solution for select Snowsound panels. The metal strips used to mount the panels come in different sizes, allowing for the repositioning of the panels during installation to achieve the desired effect.

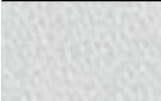

Specs	Polyester internal padding with Snowsound technology, polyester covering in Trevira CS® fabric
	Single material and 100% recyclable
	Eco friendly – Greenguard Gold
	Durable, tackable double-sided surface
	Patented variable density composition
	Class A sound absorption with NRC 1.0 (ISO 354/ASTM C423/ISO 11654)
	Absorbs 94% of human speech frequencies
	Class A fire and smoke safety (UL 723/ASTM E84)
	CAL 133, 117 pass
	Sleek profile at only 1.4” thick
	Wall mounted
Design	Snowsound Lab



DISC PANELS & WALL MOUNTING HARDWARE

Call your representative for stock levels and availability

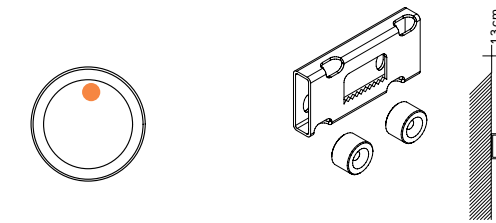


	Color	Part No	Part No	Part No
	White	7S59-0001	7S79-0001	7S119-0001
	Charcoal Grey	7S59-8007	7S79-0001	7S119-8007
		Special Order Color MOQ: 50	Special Order Color MOQ: 30	Special Order Color MOQ: 18

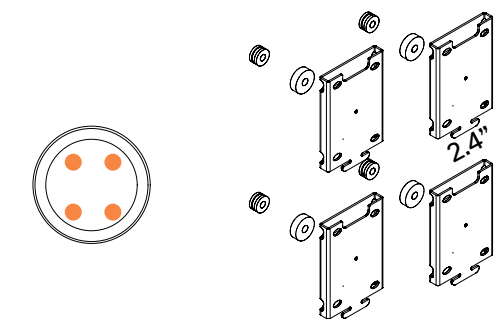
Panels available in special order colors. Special order colors require:

- MOQ varies from size to size
- Lead time up to 14-16 weeks
- +10% Custom service fee

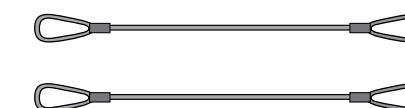
For larger swatches & full color options, please refer to pages 32-34.



Panel size	Fits All Sizes
Part No	7S377
QTY	01
Finish	Steel



Panel size	Fits All Sizes
Part No	40025844
QTY	Set of 04
Finish	Steel



Optional Safety Cables

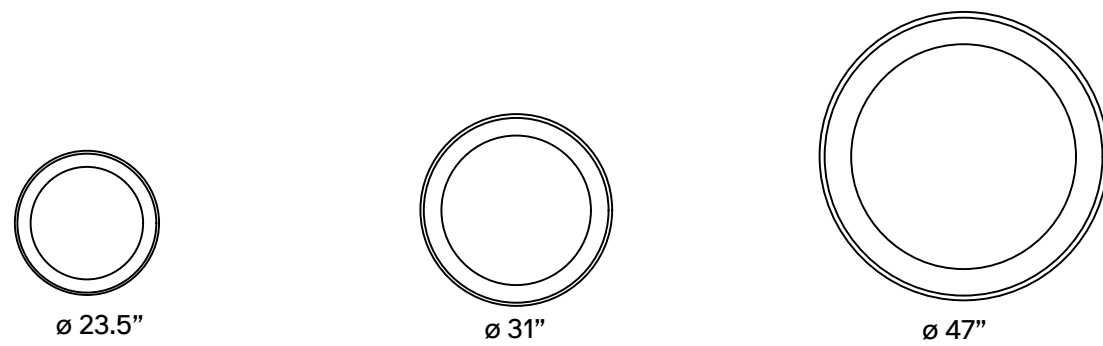
Panel size	Fits All Sizes
Part No	40046007
QTY	01
Finish	Matte White

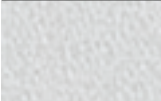

DISC CEILING SUSPENDED COMPLETE KIT

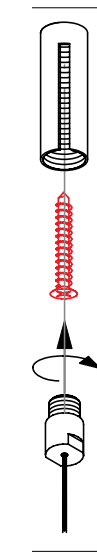
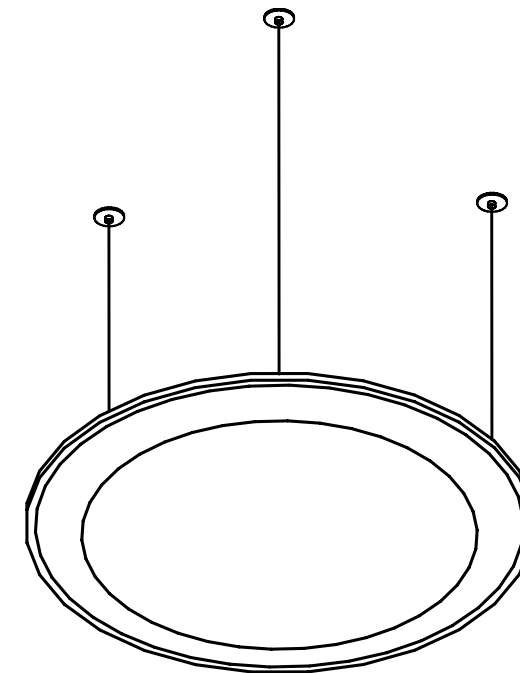
Kit includes

01 panel

01 ceiling suspended hardware



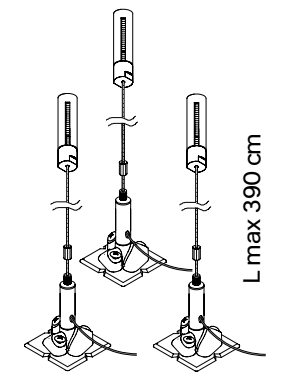
	Color	Part No	Part No	Part No
	White	7S59-376/3-C-0001	7S79-376/3-C-0001	7S119-376/3-C-0001
	Charcoal Grey	7S59-376/3-C-8007	7S79-376/3-C-8007	7S119-376/3-C-8007



Ceiling mount detail.

Hole ø 4.5 mm

← Screw not included.



Connections detail •included•

DUNES



DUNES



DUNES is a wall-applied acoustic solution composed of two layers of Snowsound Fiber Boucle Textiles. One layer serves as a flat base backing, while the other creates a three-dimensional sound-absorbing pocket formed by repeating pleats held in place by steel clips. Imagine Dunes as a three-dimensional tapestry, where the topographies between the backing fabric and the air pockets in the hollow reliefs of the upper layer of Snowsound Fiber contribute to its exceptional acoustic performance. Dunes combines poetry and function to offer a captivating aesthetic with the unparalleled acoustic performance for which Snowsound is renowned.

Specs	Single material and 100% recyclable
	Eco friendly – Greenguard Gold
	Class A sound absorption with (ISO 354)
	Easy to clean and sanitize. Meets CDC Guidelines.
	Class A fire and smoke safety (UL 723/ASTM E84)
	CAL 133, 117 pass
	Wall mounted
Design	Felicia Arvid

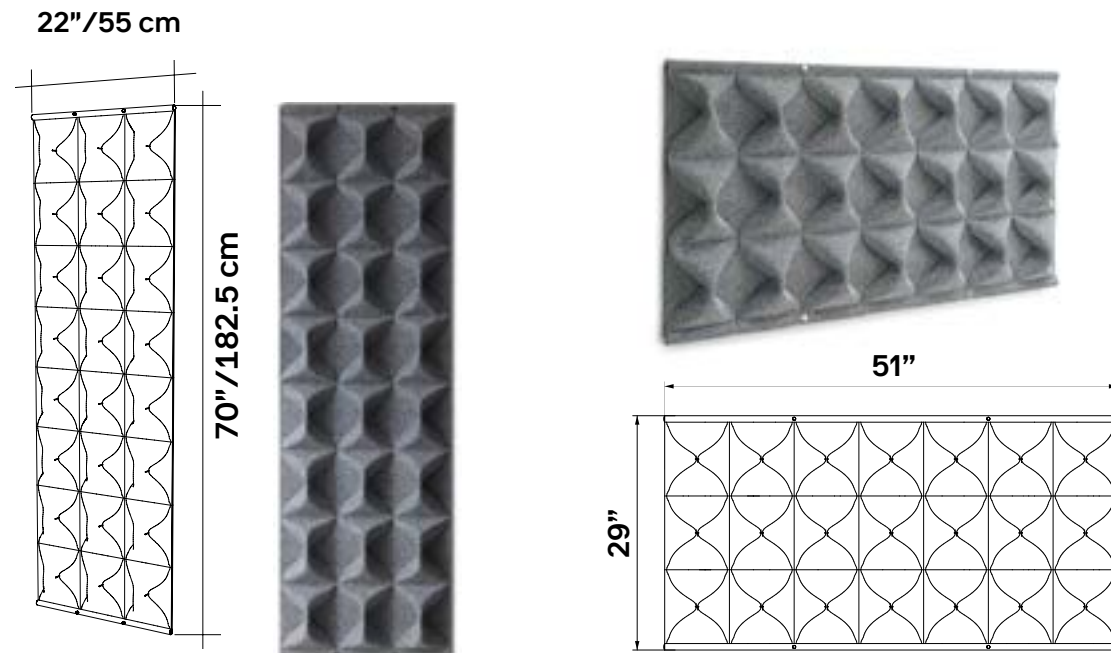
DUNES HORIZONTAL PANELS COMPLETE KIT

Call your representative for stock levels and availability

Kit includes

01 Fiber 8 Bouclè fabric

Mounting hardware



Color	Part No	Part No
801 Gray Ice	40045016**	7KL30-801**

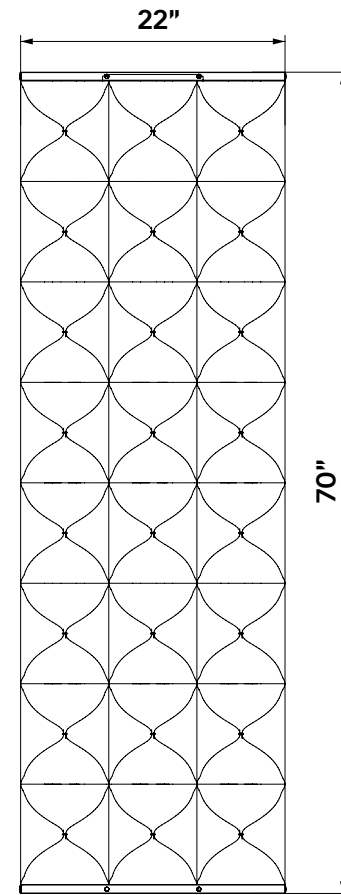
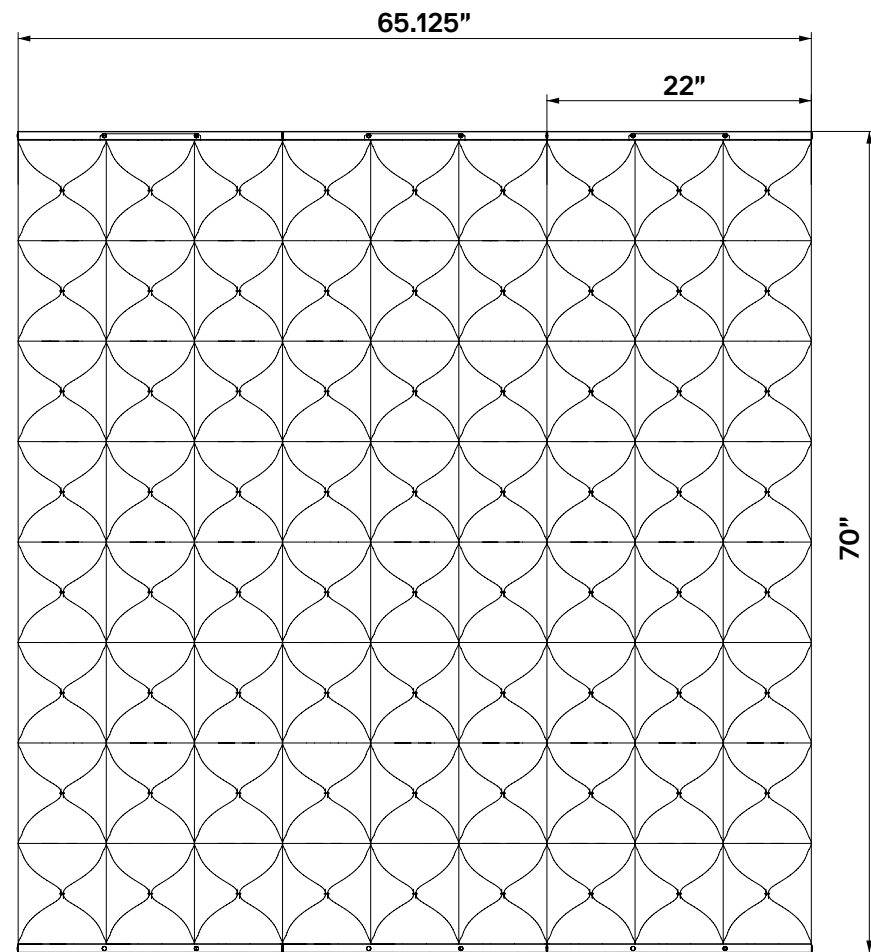
** Extended lead time

Extended lead time colors require: up to 10–12 weeks

For larger swatches & full color options, Please refer to pages 300–303.

DUNES WALL TYPICALS

Call your representative for stock levels and availability



Panels

03 Dunes Panels

01 Dunes Panel

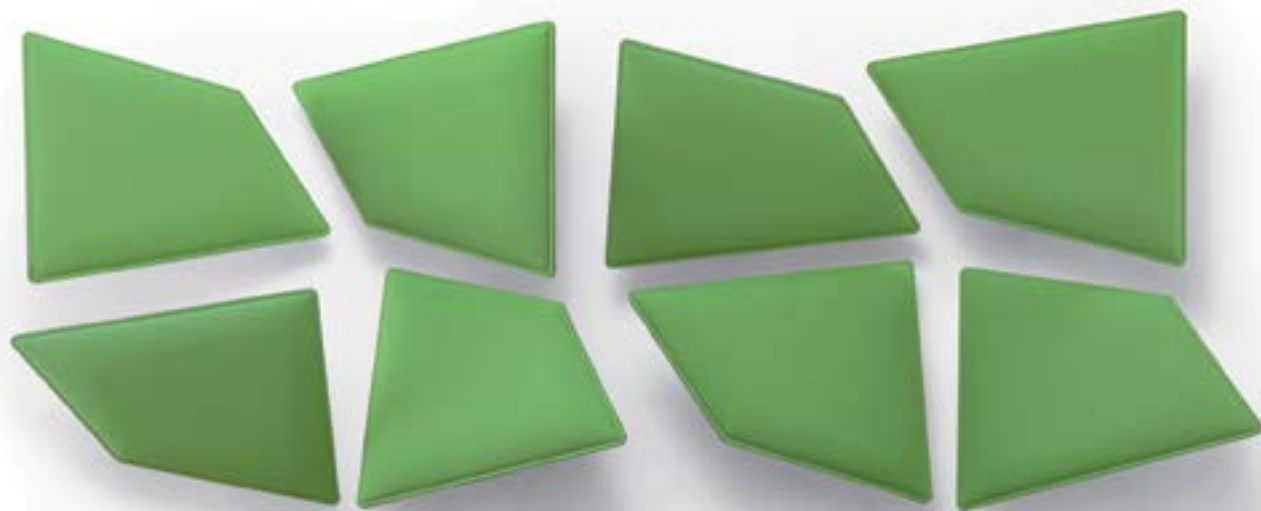
FLAP/FLAP GRANDE



FLAP/FLAP GRANDE

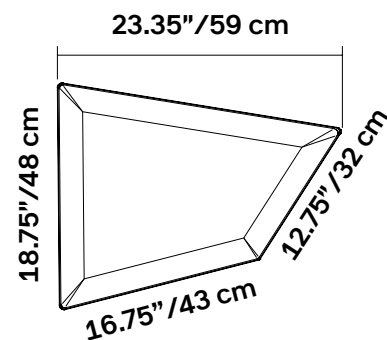
FLAP / FLAP GRANDE Panels utilizing patented Snowsound® technology to visually and acoustically enhance interior spaces. Designers can configure these uniquely shaped panels into artistic wall or ceiling patterns.

Specs	Polyester internal padding with Snowsound technology, polyester covering in Trevira CS® fabric
	Single material and 100% recyclable
	Eco friendly – Greenguard Gold
	Durable, tackable double-sided surface
	Patented variable density composition
	Class A sound absorption with NRC 1.0 (ISO 354/ASTM C423/ISO 11654)
	Absorbs 94% of human speech frequencies
	Class A fire and smoke safety (UL 723/ASTM E84)
	CAL 133, 117 pass
	Sleek profile at only 1.4” thick
	Tilts and rotates
	Ceiling mounted/Wall mounted/Freestanding
Design	Alberto and Francesco Meda

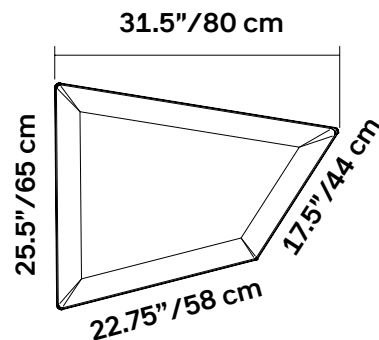


FLAP PANEL / GRANDE COMPLETE SET

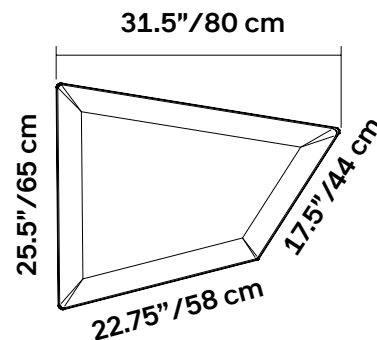
Call your representative for stock levels and availability



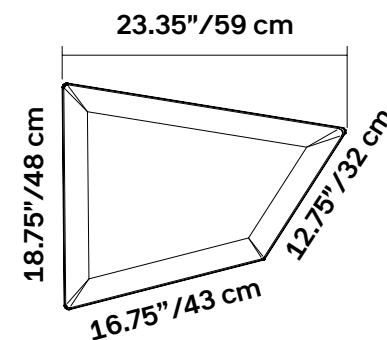
Flap



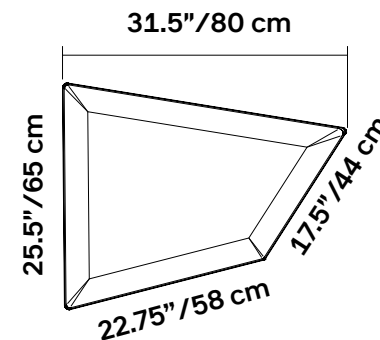
Flap Grande with 3.9" Mounting Arm



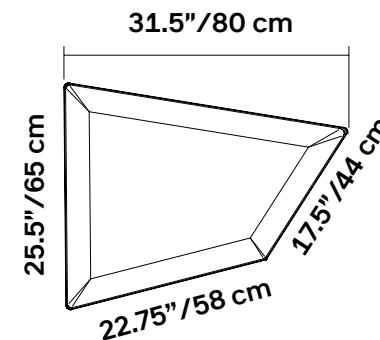
Flap Grande with 9" Mounting Arm



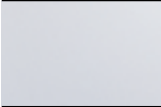








Flap






Flap Grande with 3.9" Mounting Arm



Flap Grande with 9" Mounting Arm

	Color	Part No	Part No	Part No
	White	40023007	40023030	40023034
	Silver Gray	40023008	40023022	40023035
	Charcoal Gray	40023021	40023031	40023037
	Beige	40023006	40023032	40023038
	Dove Gray	40023020	40023023	40023036
	Sun Yellow	40023009	40023024	40023039
	Carrot Orange	40023010	40023025	40023040
	Red	40023011	40023026	40023041
	Olive Green	40023079	40023027	40023042

For larger swatches & full color options, please refer to pages 32–34.
Quick Ship items only show item number without additional notation
Panels available in special order colors.

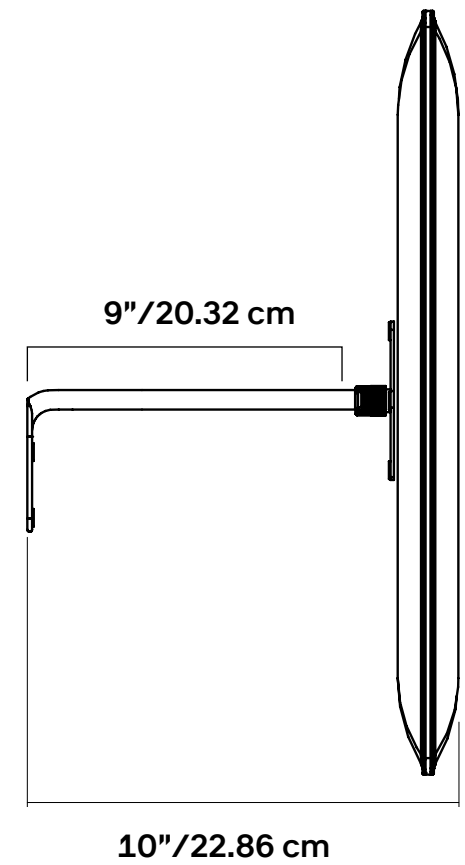
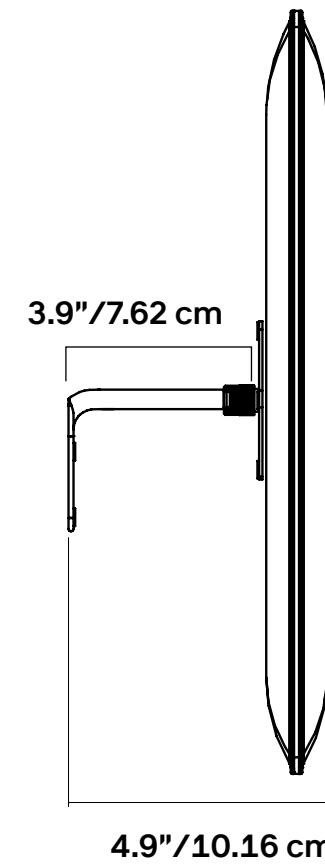
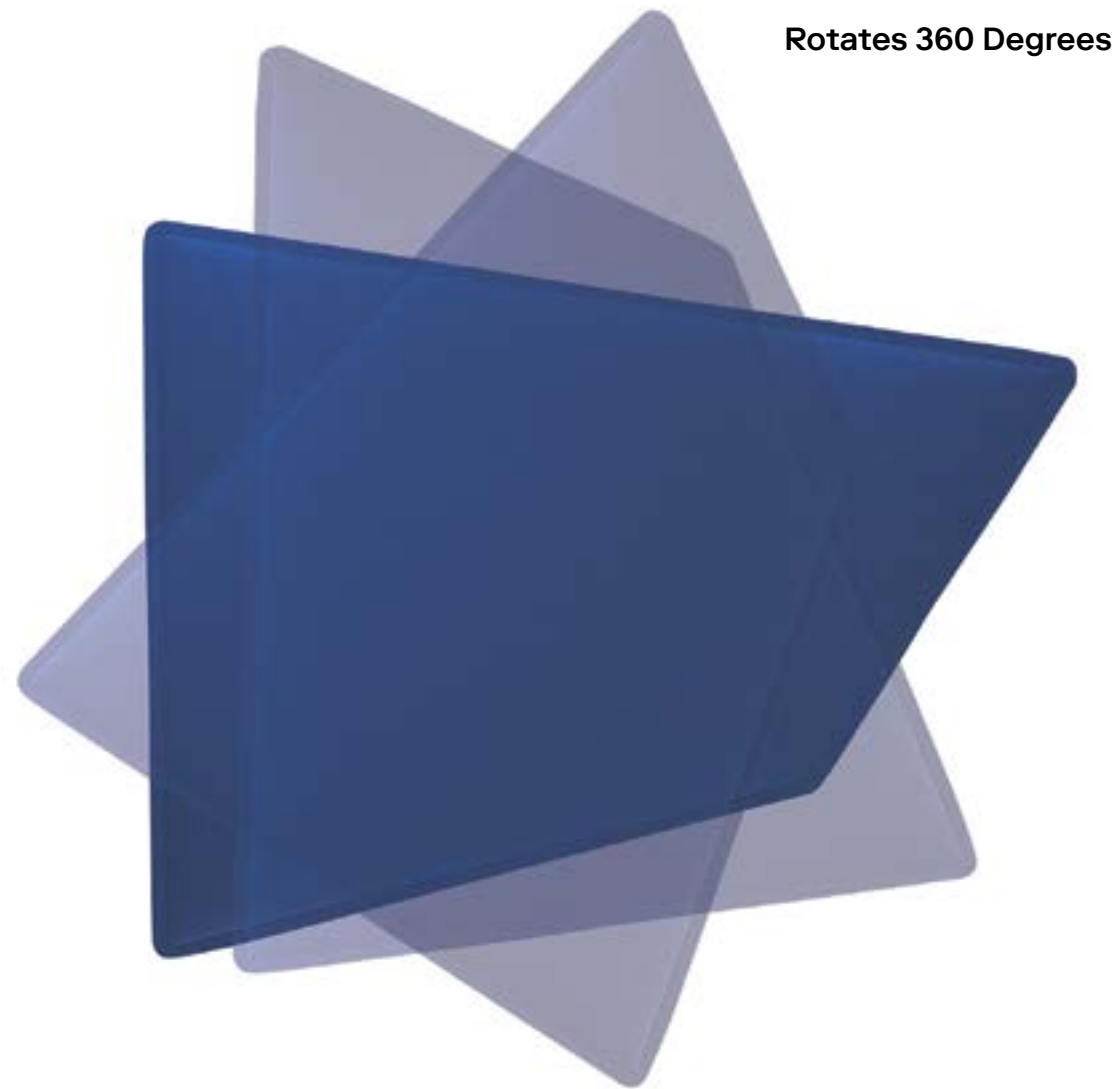
	Color	Part No	Part No	Part No
	Apple Green	40023012	40023028	40023043
	Blue	40023013	40023029	40023044
	Black	40023014	40023033	40023045
		Special Order Color MOQ: 80	Special Order Color MOQ: 60	Special Order Color MOQ: 60
			Includes 3 in. (7.62 cm) Mounting Arm	Includes 8 in. (20.32 cm) Mounting Arm

Special order colors require:
– MOQ varies from size to size
– Lead time up to 14–16 weeks
– +10% Custom service fee

MOUNTING ARMS FOR FLAP PANEL

For direct surface mounting on wall or ceiling, please specify one of the two arms below.

Arm Length	3.9" (7.62 CM)	9" (20.32 CM)
Part No	40024007	40024008
QTY	01	01
Finish	Chrome	Chrome



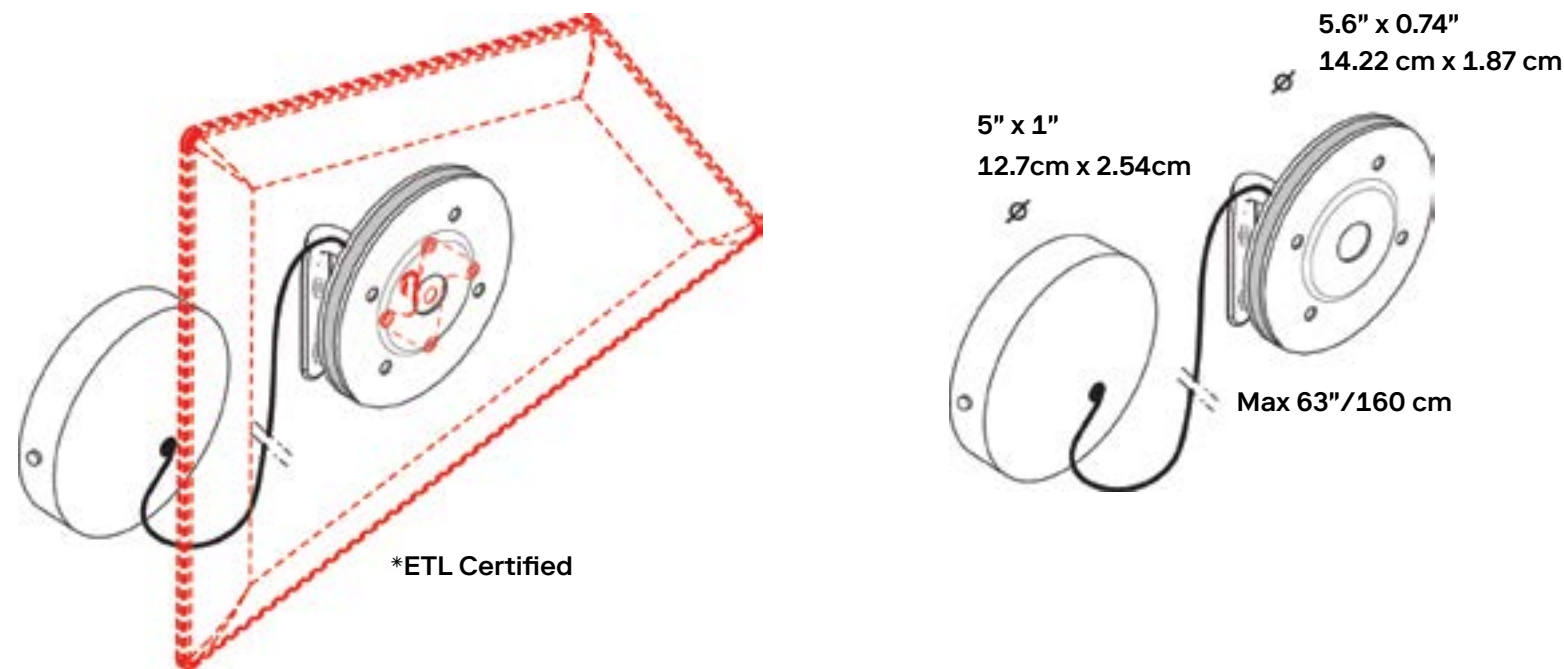
FLAP / FLAP GRANDE LED KIT

FLAP LED KIT - SINGLE LIGHT

Led back lighting system for Flap and Flap Grande

Led	Single light
Part No	40025093
QTY	01 Kit

LED	24V.5.6W
	AWM 2464#, 20AWG, 80°C, 300V x 6.5'
Input	AC 100-240V, 50/60Hz, 230mA
Output	DC 24V, 0.42A
Chip Brand	AAA
Lumens	550
Color Temperature	3000K

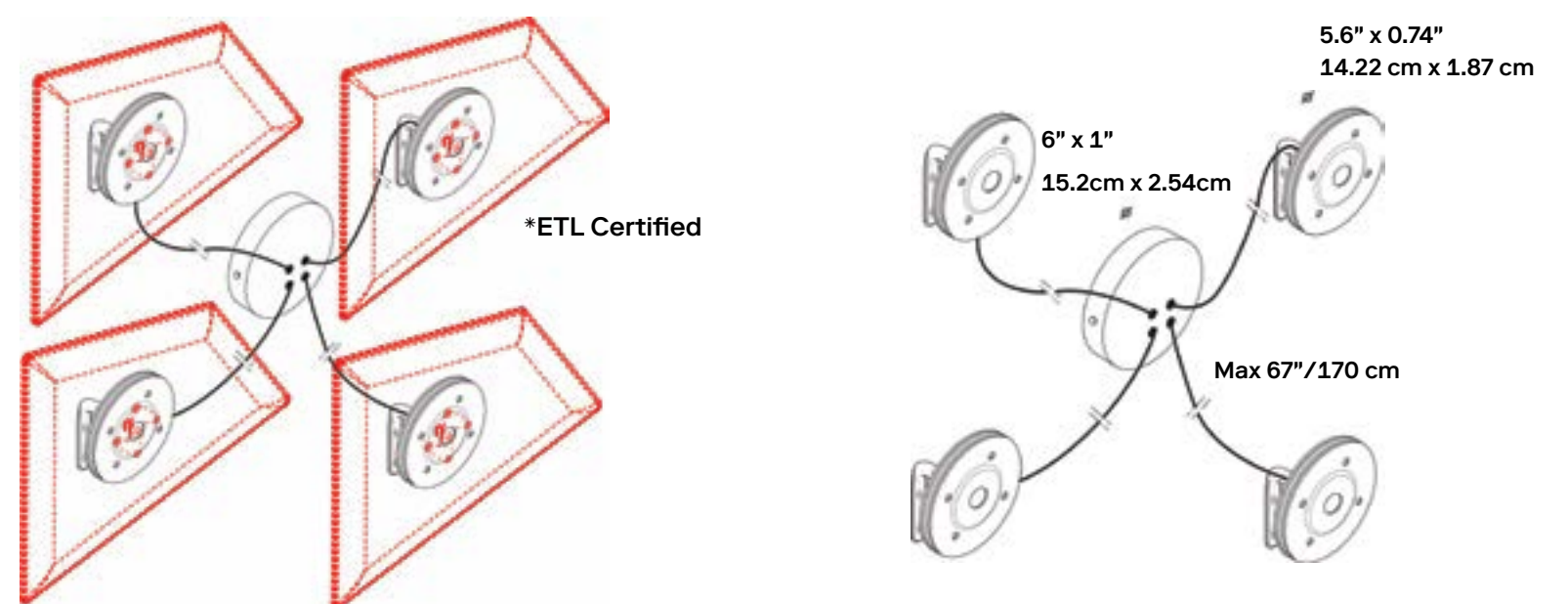


FLAP LED KIT - 4 LIGHT PACK

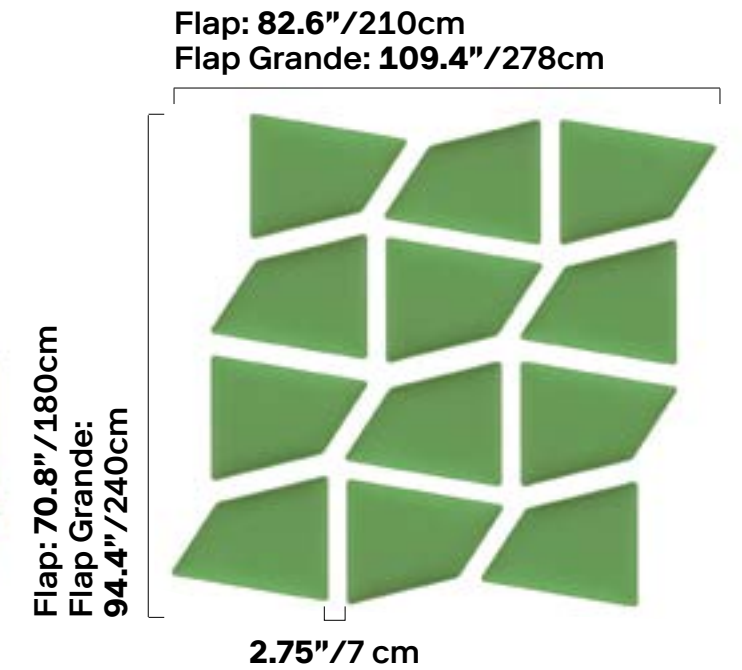
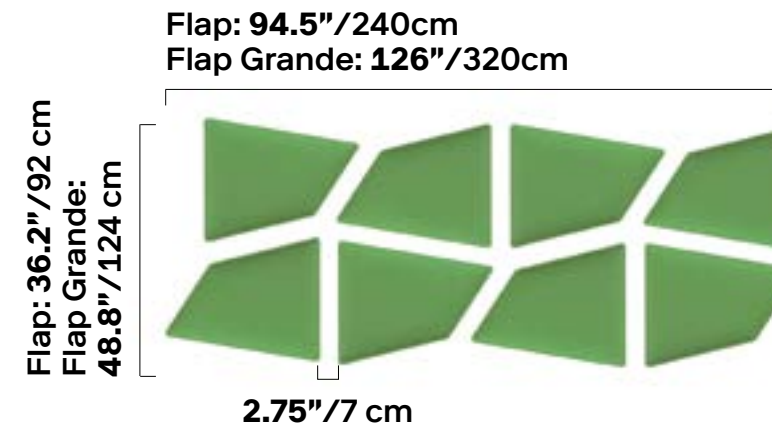
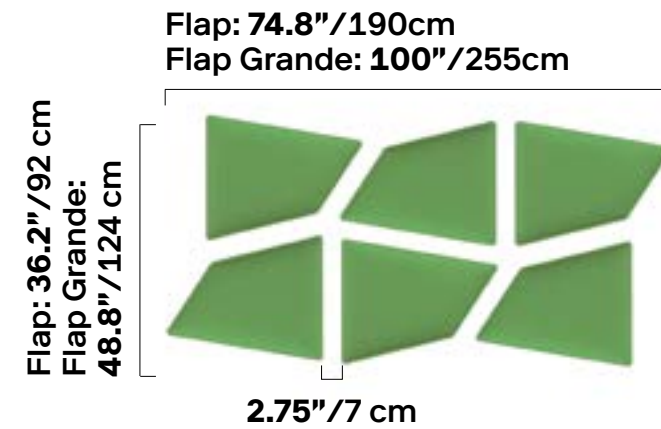
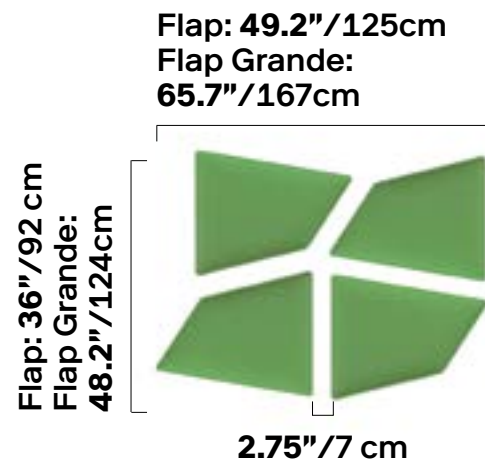
Led back lighting system for Flap and Flap Grande

Led	04 Light pack
Part No	40025092
QTY	01 Kit

LED	4 Led 24V.5.6W
	AWM 2464#, 20AWG, 80°C, 300V x 6.5'
Input	AC 100-240V, 50/60Hz, 230mA
Output	DC 24V, 0.42A
Chip Brand	AAA
Lumens	550
Color Temperature	3000K



FLAP / FLAP GRANDE TYPICALS



Panels FLAP W/ 3.9" ARM

FLAP W/ 3.9" ARM

FLAP W/ 3.9" ARM

FLAP W/ 3.9" ARM

FLAP W/ 9" ARM

FLAP W/ 9" ARM

FLAP W/ 9" ARM

FLAP W/ 9" ARM

FLAP GRANDE W/ 3.9" ARM

FLAP GRANDE W/ 3.9" ARM

FLAP GRANDE W/ 3.9" ARM

FLAP GRANDE W/ 3.9" ARM

FLAP GRANDE W/ 9" ARM

FLAP GRANDE W/ 9" ARM

FLAP GRANDE W/ 9" ARM

FLAP GRANDE W/ 9" ARM

FLAP / FLAP GRANDE INSTALLATION

Example for the use of templates provided
With flap/ flap grande

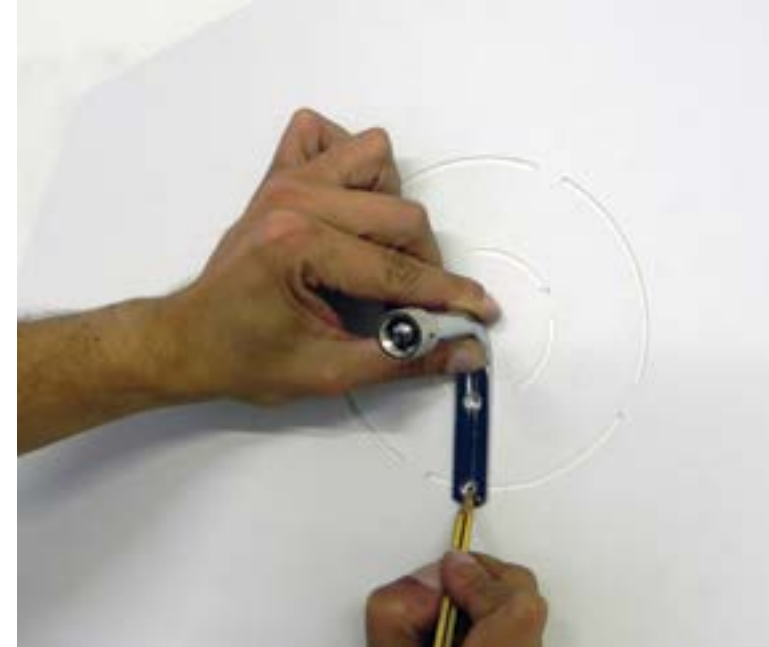
Step 1



Step 2



Step 3



Step 4



Step 5



Step 6



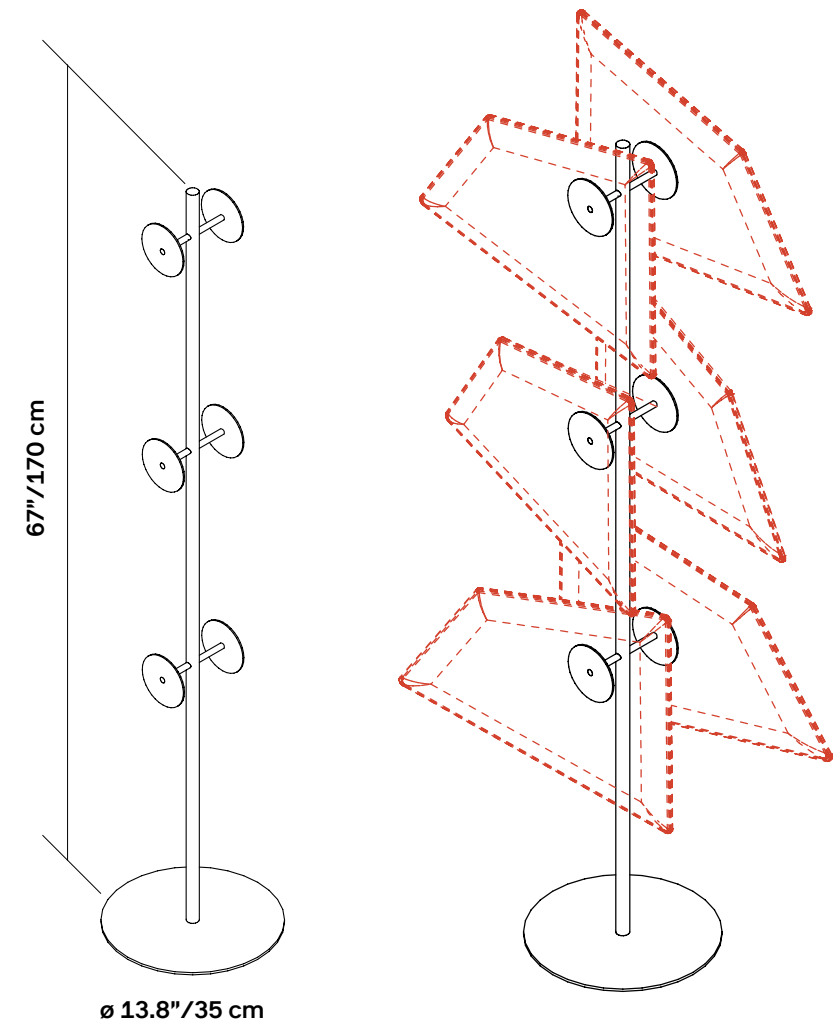
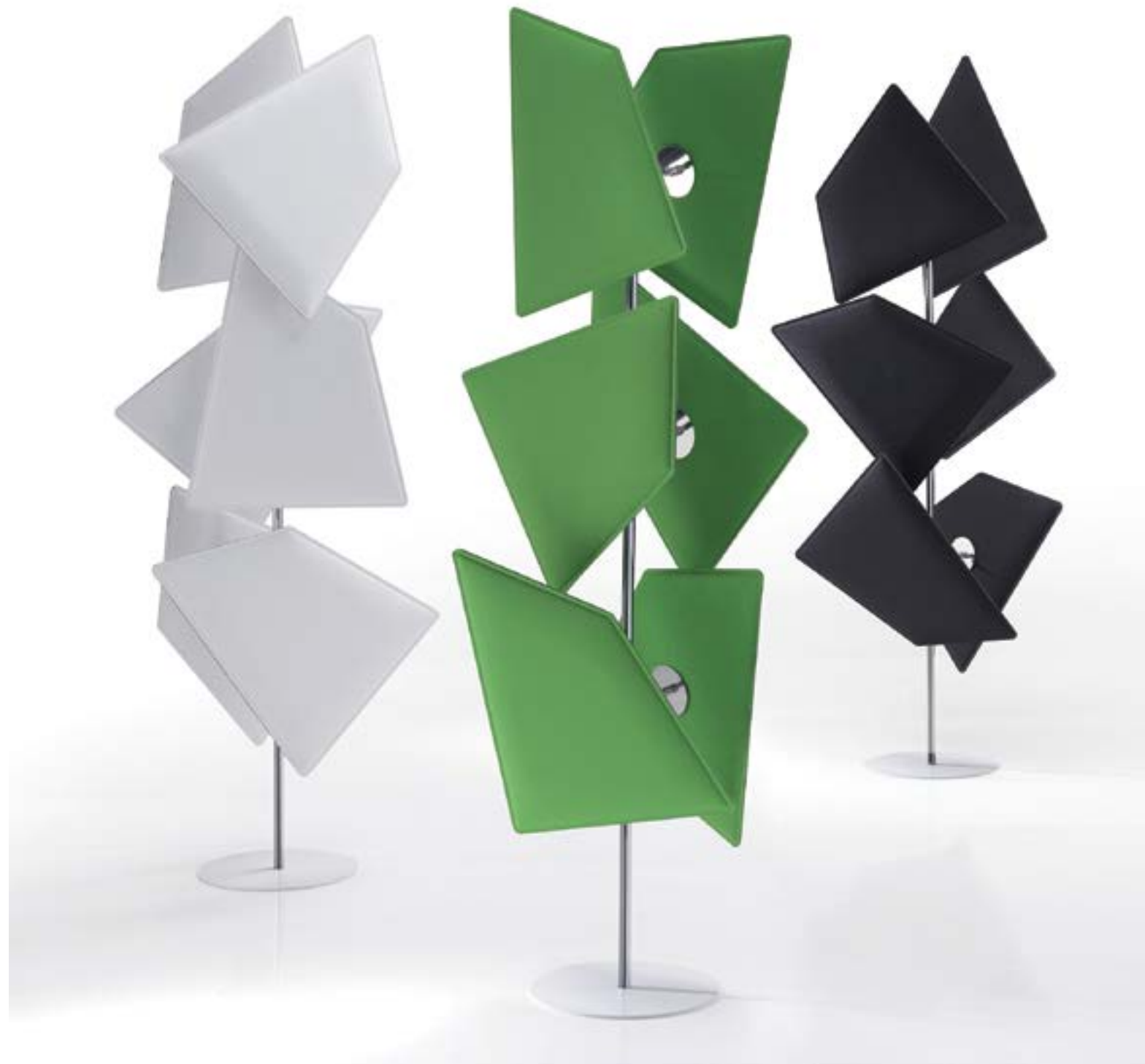
FLAP TOTEM COMPLETE HARDWARE KIT

(USE ONLY WITH FLAP PANELS)

Please specify FLAP panels separately on pg. 93.

*Not compatible with FLAP GRANDE.

Panel size	19" x 23" (48.2 x 58.4 CM)
Part No	40024026
QTY	01 Totem
Finish	Chrome pole matte white base
Includes	Pole, base and decorative back plates



FLAP CHAIN



FLAP CHAIN

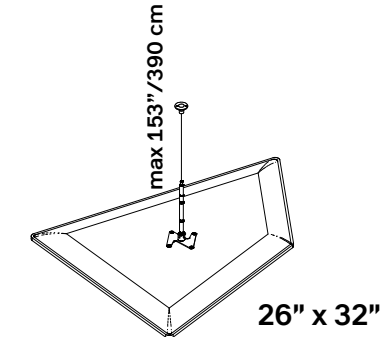
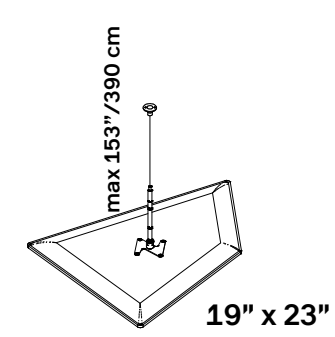
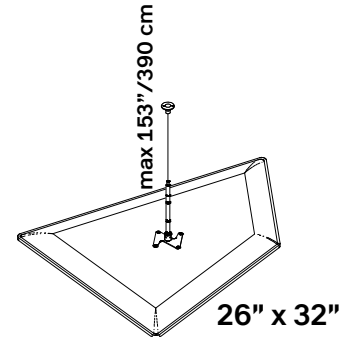
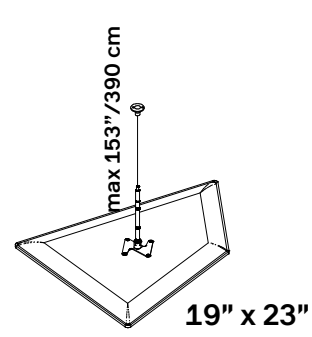
FLAP CHAIN is an infinitely modular ceiling-suspended frame application designed for use with FLAP and FLAP GRANDE panels. Featuring a chrome-plated rod and cable height adjustment system, FLAP CHAIN allows for the suspension of panels in various designs. The application comes equipped with a ceiling fixing kit consisting of a ceiling plate with two holes and steel cable. Panels can be tilted in any direction and can rotate 360 degrees.


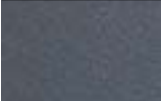
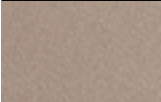










Specs	Polyester internal padding with Snowsound technology, polyester covering in Trevira CS® fabric
	Single material and 100% recyclable
	Eco friendly – Greenguard Gold
	Durable, tackable double-sided surface
	Patented variable density composition
	Class A sound absorption with NRC 1.0 (ISO 354/ASTM C423/ISO 11654)
	Absorbs 94% of human speech frequencies
	Class A fire and smoke safety (UL 723/ASTM E84)
	CAL 133, 117 pass
	Sleek profile at only 1.4” thick
	Ceiling suspended
	CE certified for ceiling application
	Modular
	Tilts and rotates
Design	Alberto and Francesco Meda

FLAP CHAIN COMPLETE SET

Call your representative for stock levels and availability



	Color	Part No	Part No
	White	40023095	40023107
	Silver Gray	40023096	40023108
	Charcoal Gray	40023105	40023117
	Beige	40023097	40023109
	Dove Gray	40023104	40023116
	Sun Yellow	40023098	40023110
	Carrot Orange	40023099	40023111
	Red	40023100	40023112
	Olive Green	40023106	40023118

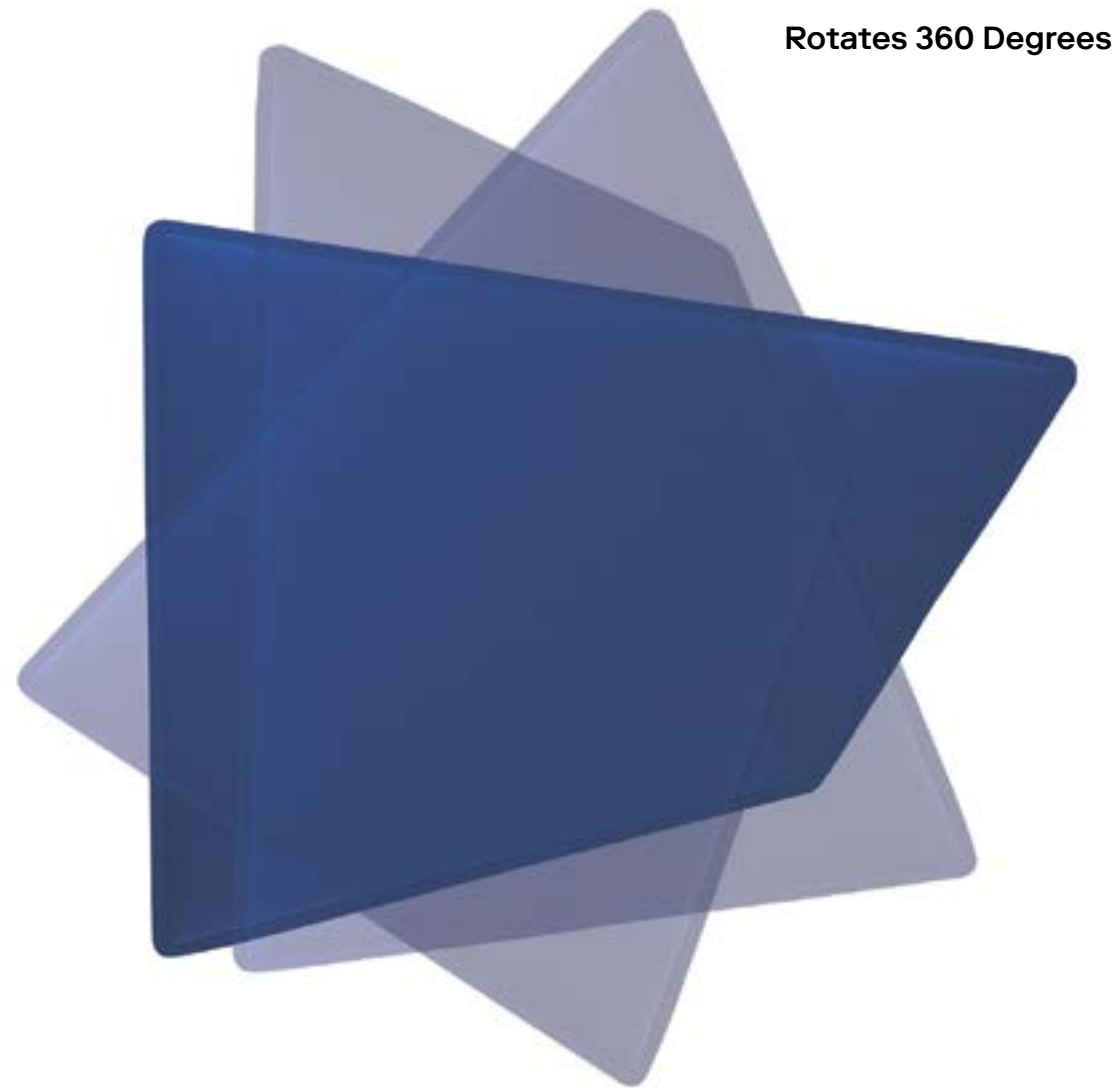
	Color	Part No	Part No
	Apple Green	40023101	40023113
	Blue	40023102	40023114
	Black	40023103	40023115
		Special Order Color MOQ: 80	Special Order Color MOQ: 60

For larger swatches & full color options, please refer to pages 32–34.
Quick Ship items only show item number without additional notation
Panels available in special order colors.

Special order colors require:
– MOQ varies from size to size
– Lead time up to 14–16 weeks
– +10% Custom service fee

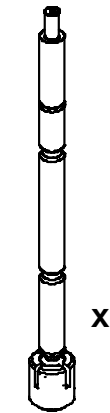
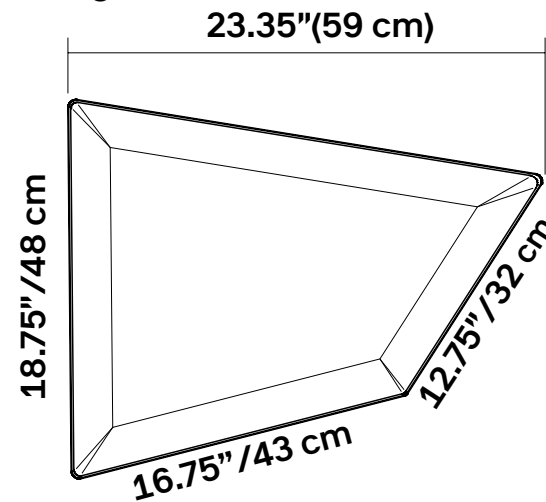
FLAP CHAIN COMPLETE SET

Kit includes	01 Panel
	01 Cable
	01 Ceiling plate
	01 7.8"/20cm arm



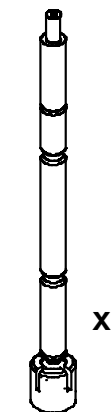
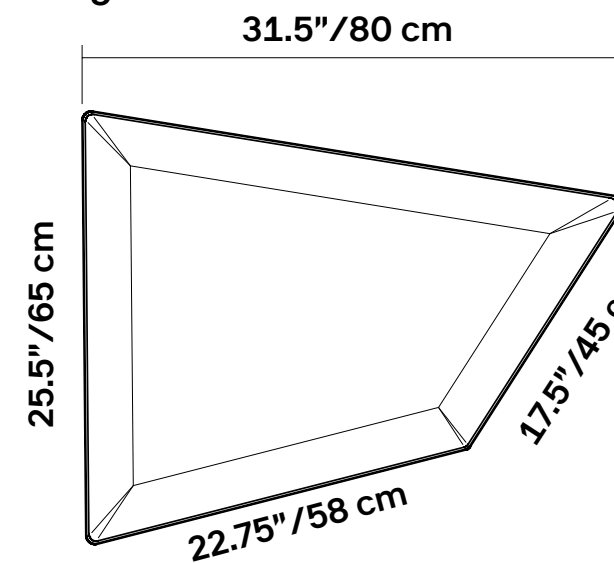
Flap Chain 19" x 23"

Weight: 2.26 lbs



Flap Chain 26" x 32"

Weight: 3.5 lbs

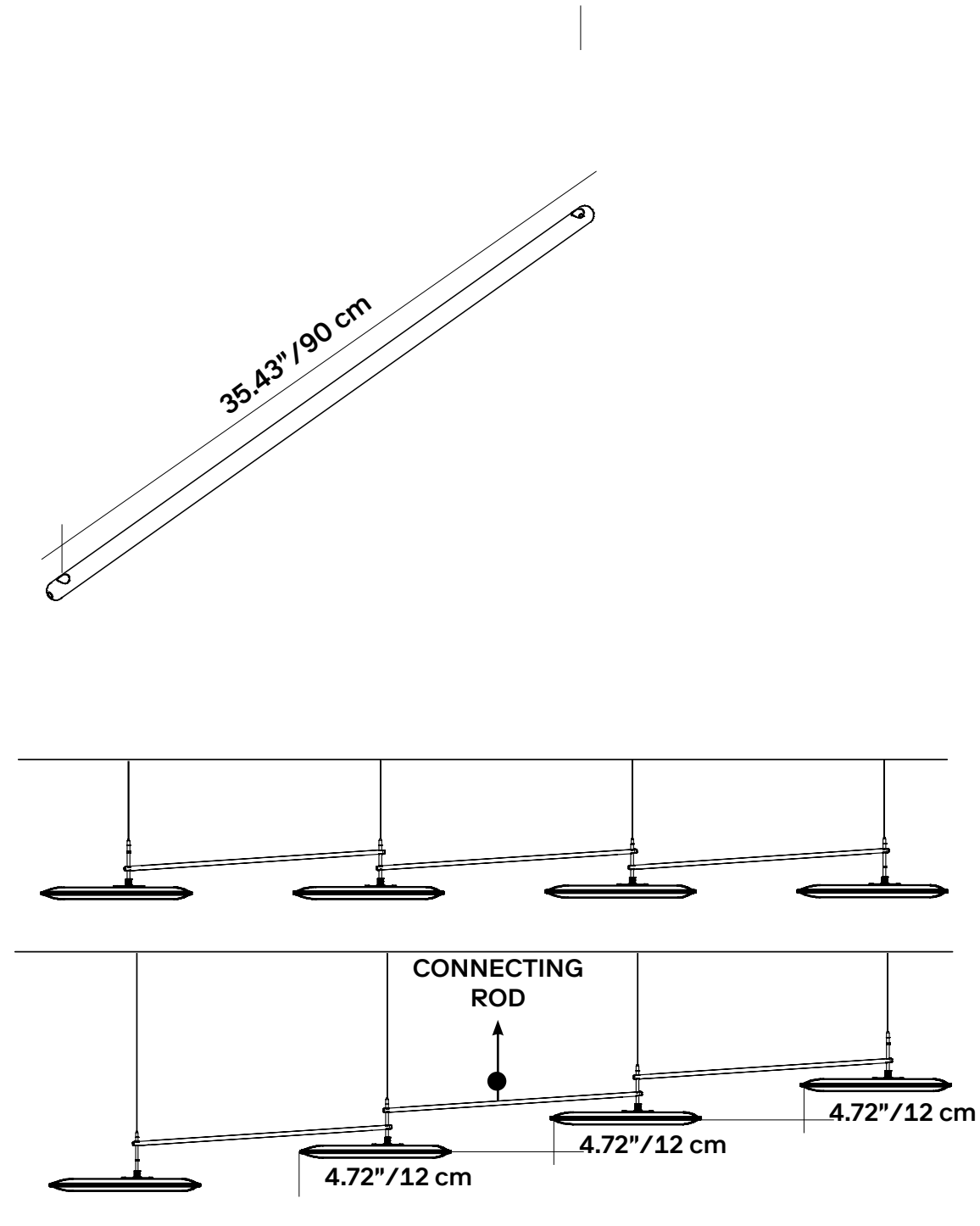


STEEL CONNECTING ROD

FLAP LED KIT - 4 LIGHT PACK

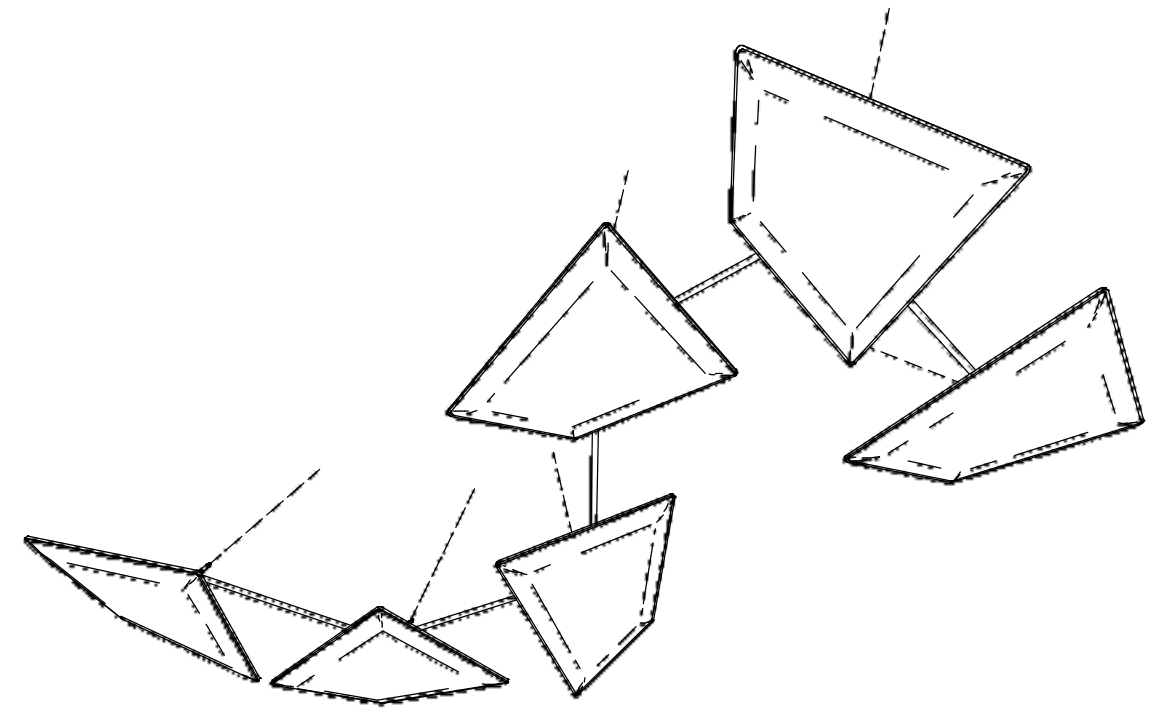
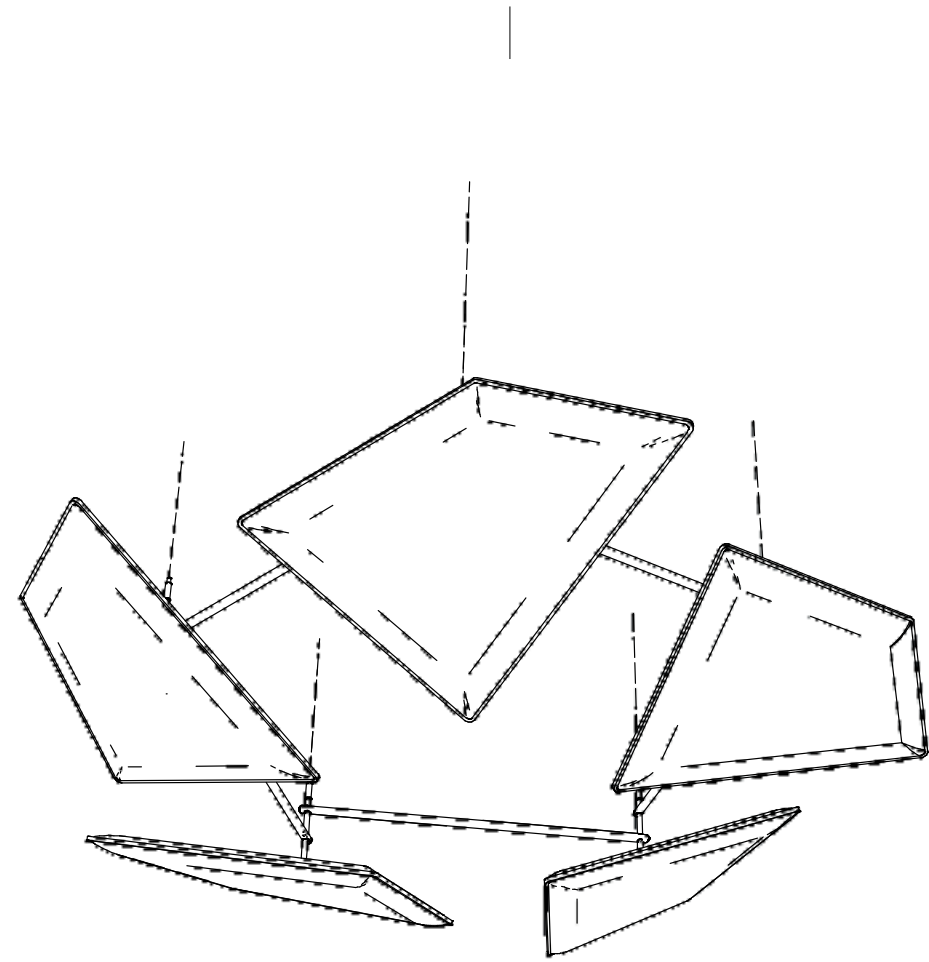
Led back lighting system for Flap and Flap Grande

Panel size	Both Sizes
Part No	40025161
QTY	01 Rod
Finish	Chrome Plated



NOTE: Flap Chain arrangement is compatible with both FLAP sizes: Standard and Grande. Panels on the chain system can be mixed with both sizes or all the same.

FLAP CHAIN TYPICALS



FLAP CHANDELIER



FLAP CHANDELIER

FLAP CHANDELIER frames come in either fixed or modular designs. The arms articulate off the center beam, providing added flexibility. Panels can rotate and tilt as desired within the frame.



Specs	Polyester internal padding with Snowsound technology, polyester covering in Trevira CS® fabric
	Single material and 100% recyclable
	Eco friendly – Greenguard Gold
	Durable, tackable double-sided surface
	Patented variable density composition
	Class A sound absorption with NRC 1.0 (ISO 354/ASTM C423/ISO 11654)
	Absorbs 94% of human speech frequencies
	Class A fire and smoke safety (UL 723/ASTM E84)
	CAL 133, 117 pass
	Sleek profile at only 1.4” thick
	Ceiling suspended
	Tilts and rotates
Design	Alberto and Francesco Media

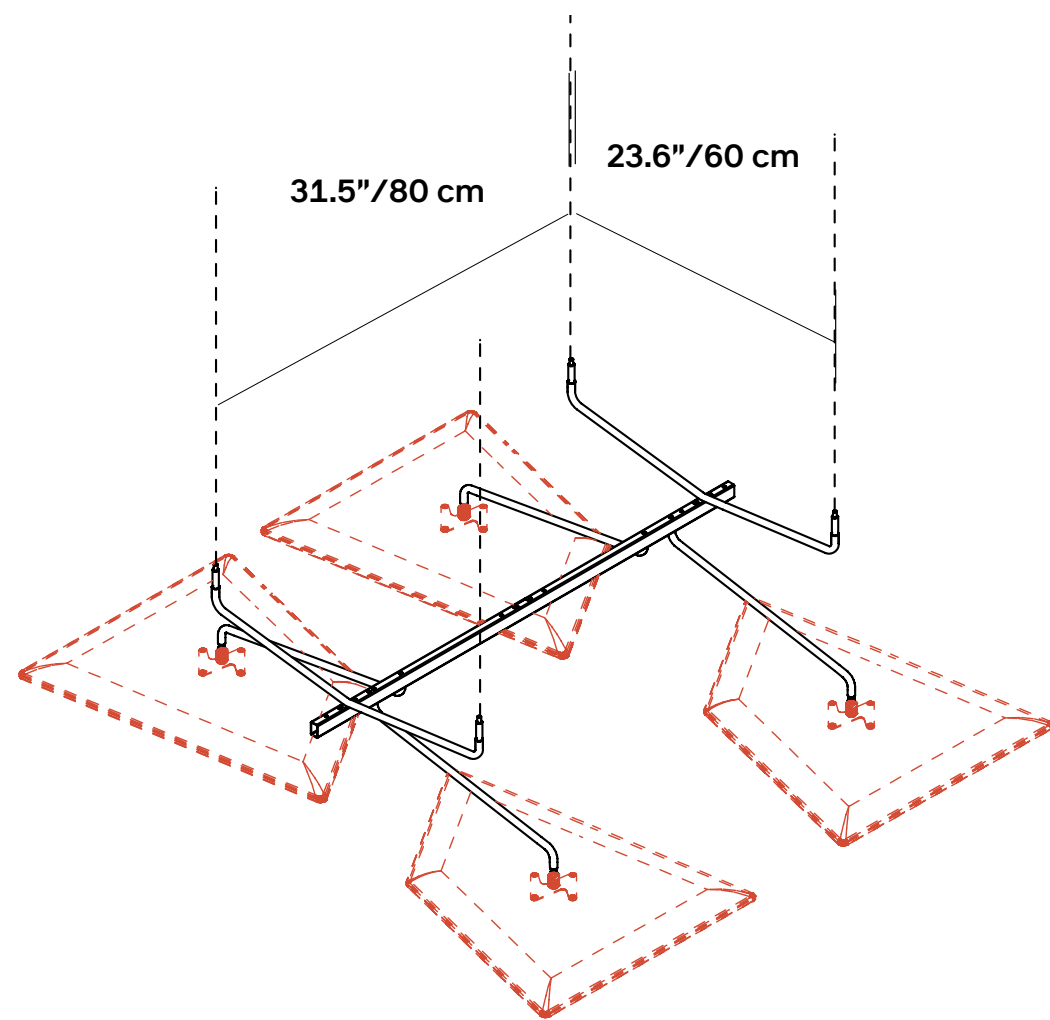
FLAP CHANDELIER 4 PANEL CEILING HARWARE FRAME

Please specify FLAP panels separately on pg. 93.

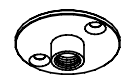
*Not compatible with FLAP GRANDE.

Complete system

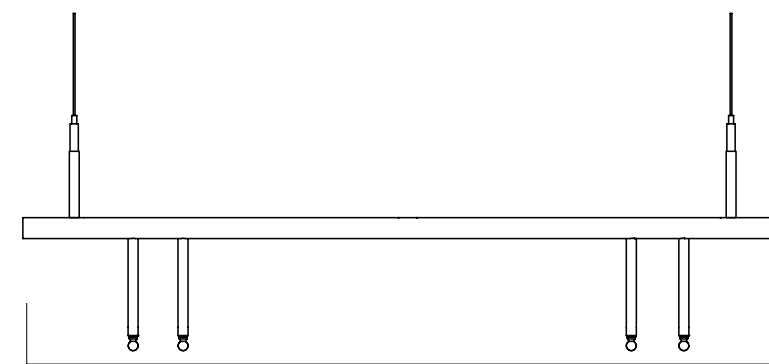
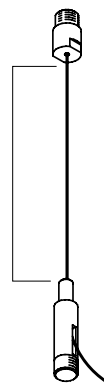
Kit includes	01 Center beam support
	02 Upward hanging support
	01 Ceiling plate with aircraft cables
	04 Brackets to fasten panels
Frame Style	04 Panel Frame
Part No	40024009
QTY	01 Frame
Finish	Chrome
Weight	12.2 lbs.



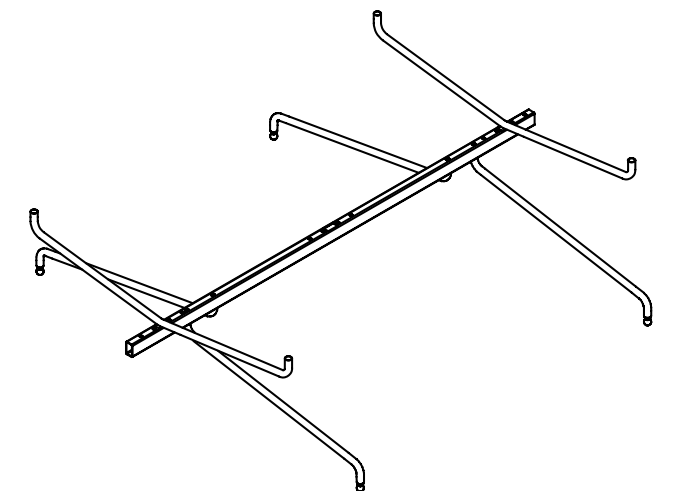
ø 1.50\"/>



max 153\"/>



36.4\"/>



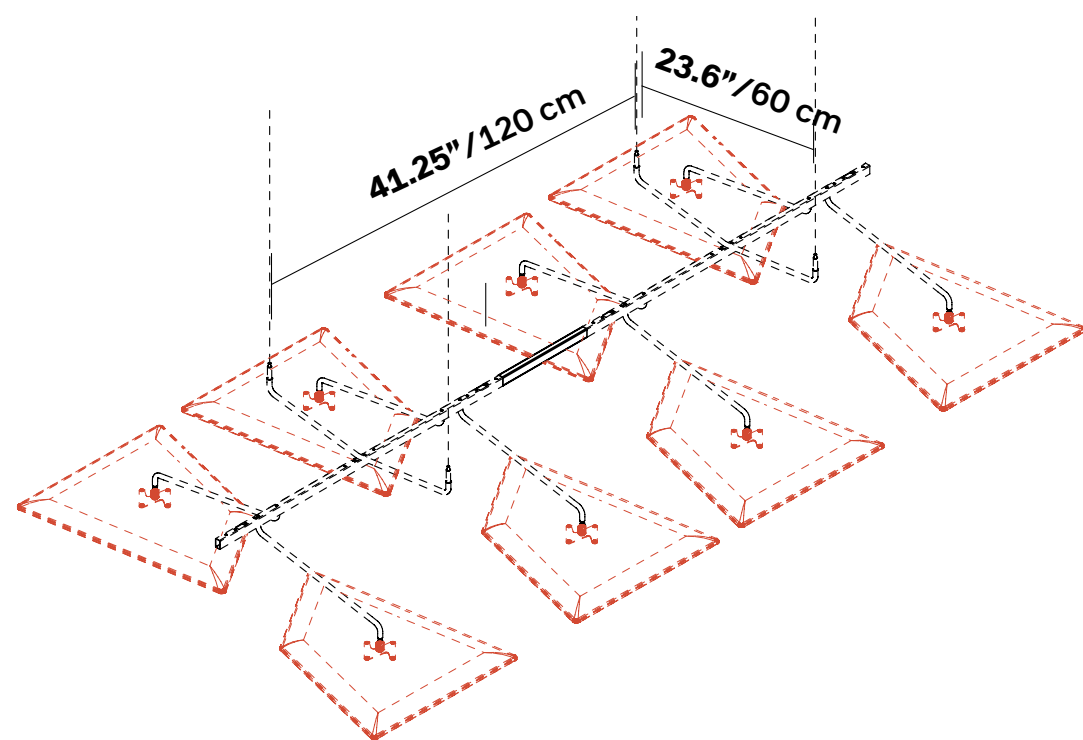
FLAP CHANDELIER 8 PANEL CEILING HARDWARE FRAME

Please specify FLAP panels separately on pg. 93.

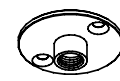
*Not compatible with FLAP GRANDE.

Complete system

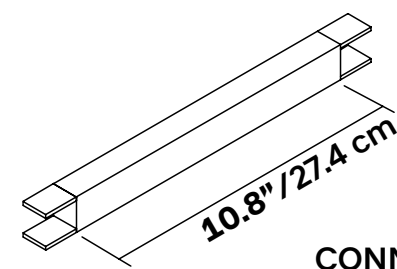
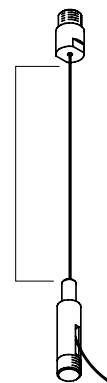
Kit includes	02 Center beam support
	02 Upward hanging support
	02 Ceiling plate with aircraft cables
	08 Brackets to fasten panels
	01 connection joint
Frame Style	08 Panel Frame
Part No	40024010
QTY	01 Frame
Finish	Chrome
Weight	23.4 lbs.



ø 1.50" / 3.8 cm



max 153" / 390 cm



CONNECTION JOINT

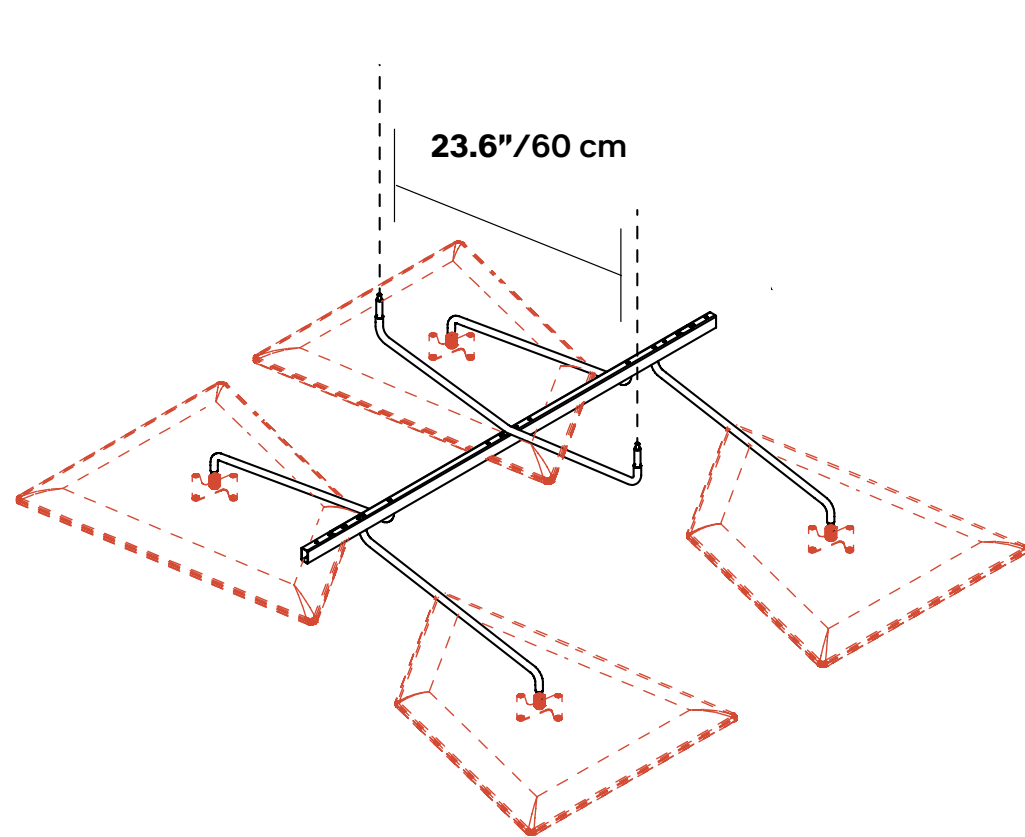
FLAP CHANDELIER 4 PANEL CEILING FRAME HARDWARE KIT (MODULAR ADDER)

Please specify FLAP panels separately on pg. 93.

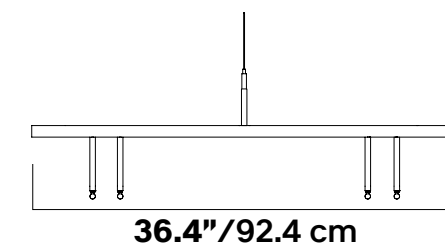
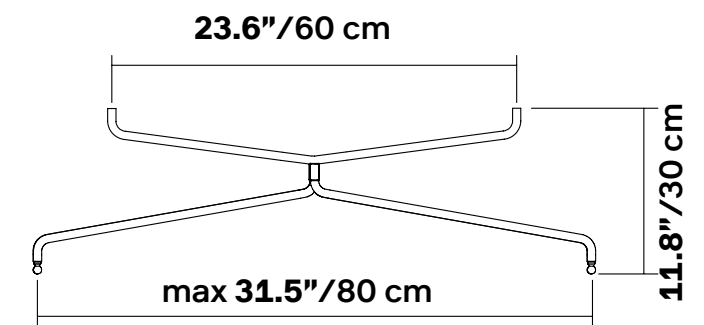
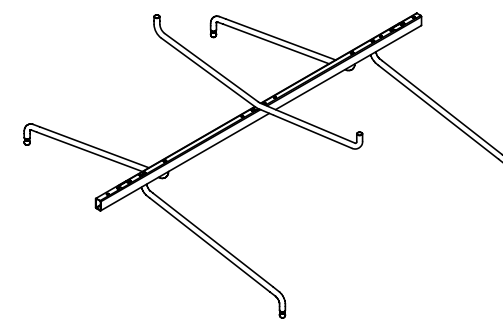
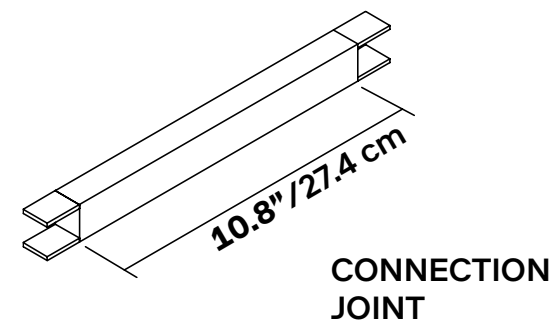
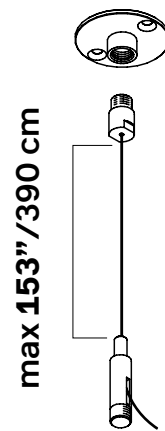
*Not compatible with FLAP GRANDE.

Complete system

Kit includes	02 Center beam support
	02 Hanging support
	02 Set ceiling plate with aircraft cables
	04 Brackets to fasten panels
	01 connection joint
Frame Style	Modular adder 4 panel frame
Part No	40024011
QTY	01 Frame
Finish	Chrome
Weight	12.2 lbs.

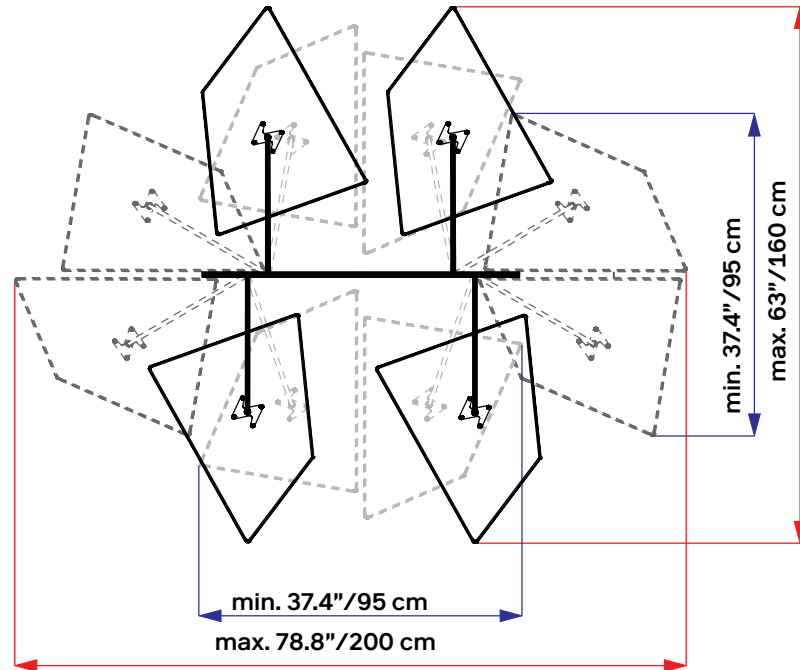


ø 1.50"/3.8 cm

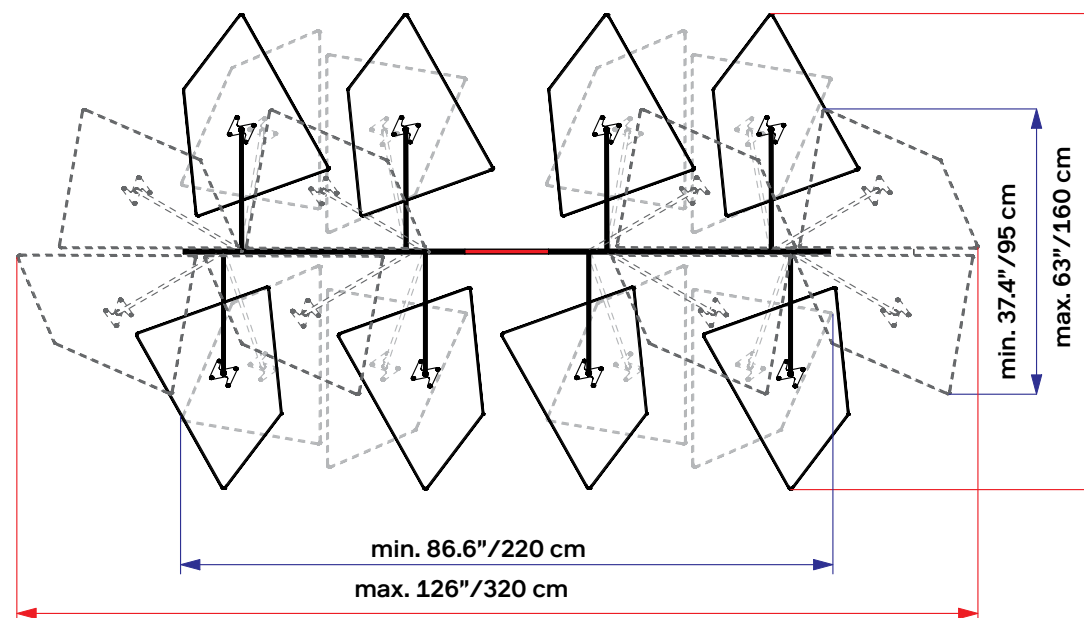


FLAP CHANDELIER LAYOUT DIMENSIONS

4 FLAP CHANDELIER



8 FLAP CHANDELIER



To create a (12) FLAP CHANDELIER, simply add qty (1) part #40024011 to the (8) FLAP CHANDELIER + qty (12). FLAP panels on page 93.

4 FLAP CHANDELIER

Part No	40024009
Size	Approx. 4.5 ft x 4.5 ft (1.4 m x 1.4 m)

8 FLAP CHANDELIER

Part No	40024010
Size	Approx. 8.25 ft x 4.5 ft (2.5 m x 1.4 m)

12 FLAP CHANDELIER

Size	Approx. 12 ft x 4.5 ft (3.6 m x 1.4 m)
------	--

16 FLAP CHANDELIER

Size	Approx. 16 ft x 4.5 ft (4.8 m x 1.4 m)
------	--

FLAP WINGS



FLAP WINGS

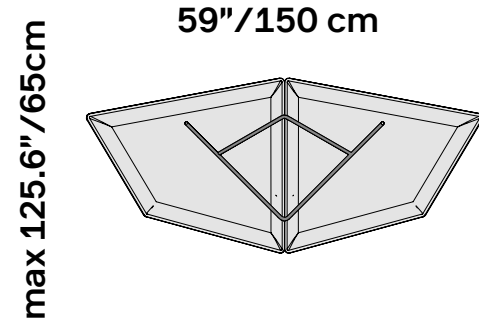
FLAP WINGS is a striking ceiling-suspended design that incorporates FLAP GRANDE panels joined together with a back frame. The system is equipped with a chrome-plated steel frame, aircraft cables, and ceiling plates for suspension from the ceiling.

Specs	Polyester internal padding with Snowsound technology, polyester covering in Trevira CS® fabric
	Single material and 100% recyclable
	Eco friendly – Greenguard Gold
	Durable, tackable double-sided surface
	Patented variable density composition
	Class A sound absorption with NRC 1.0 (ISO 354/ASTM C423/ISO 11654)
	Absorbs 94% of human speech frequencies
	Class A fire and smoke safety (UL 723/ASTM E84)
	CAL 133, 117 pass
	Sleek profile at only 1.4” thick
	Ceiling suspended
	CE certified for ceiling application
	Weight less than 10lbs.
Design	Alberto and Francesco Meda



FLAP WINGS COMPLETE SET

Call your representative for stock levels and availability



Color	Part No
White	40023046
Silver Gray	40023047
Charcoal Gray	40023049
Beige	40023050
Dove Gray	40023048
Sun Yellow	40023051
Carrot Orange	40023052
Red	40023053
Olive Green	40023054

Color	Part No
Apple Green	40023055
Blue	40023056
Black	40023057
	Special Order Color MOQ: 60

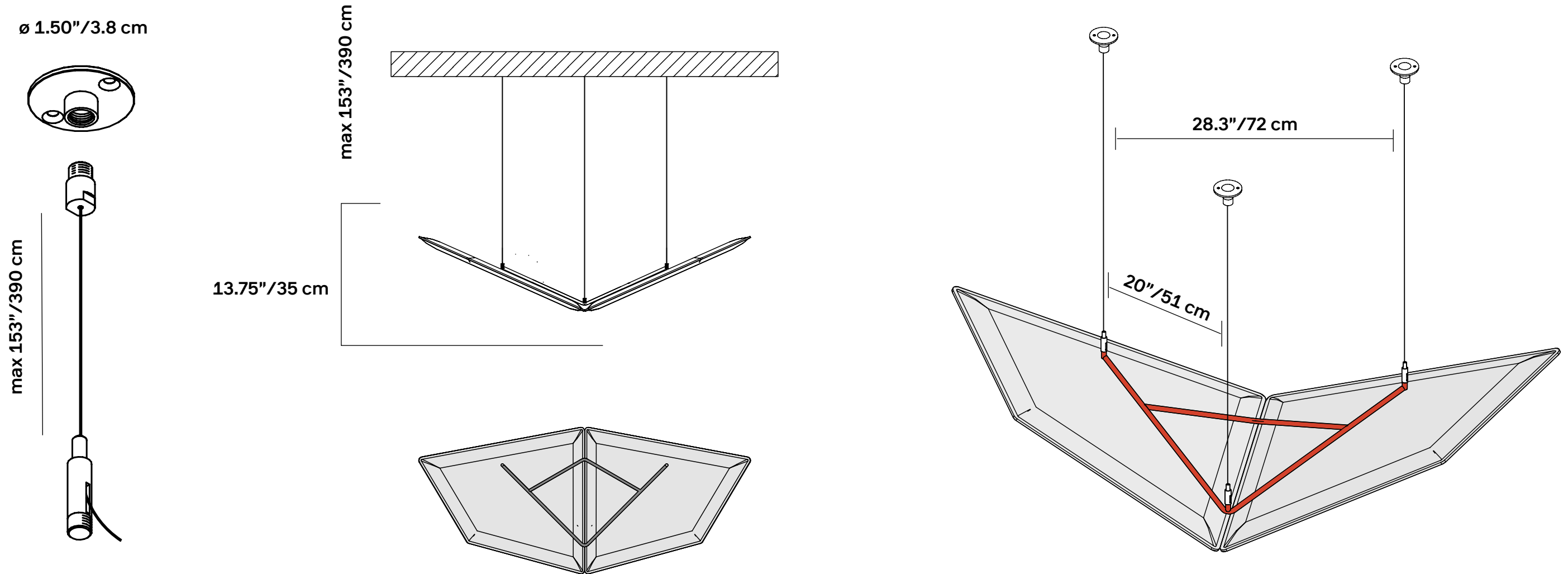
Quick Ship items only show item number without additional notation
For larger swatches & full color options, please refer to pages 32–34.

Panels available in special order colors. Special order colors require:
– MOQ varies from size to size
– Lead time up to 14–16 weeks
– +10% Custom service fee

FLAP WINGS COMPLETE SET

Complete System Weight: 7.5 lbs.

Ceiling kit includes	02 Flap Grande panels
	03 chrome ceiling plates
	03 steel cables
	03 adjustable cable locks
	01 hanging frame



FLAT/FLAT LUX/FLAT TOTEM



FLAT/FLAT LUX/ FLAT TOTEM



FLAT WALL / CEILING MOUNT

Equipped with a chrome-plated metal plate for wall or ceiling fixing, the panel can be tilted in any direction and can rotate 360 degrees. Despite their irregular shape, the panels can form innumerable combinations, including rectangles and squares.

FLAT TOTEM

This divider is composed of 12 FLAT panels set against each other and supported by a chrome-tubular steel structure mounted on a painted metal base. The panels, characterized by their flat front surface, can be tilted and rotated.

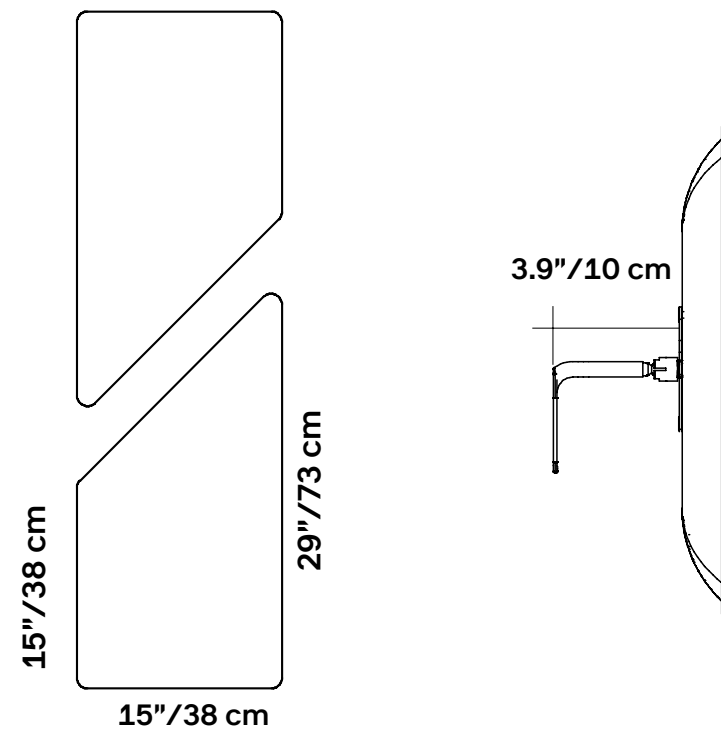
Specs	Polyester internal padding with SNOWSOUND technology,
	polyester covering in Trevira CS® fabric
	Single material and 100% recyclable
	Eco friendly – Greenguard Gold
	Durable, tackable double-sided surface
	Patented variable density composition
	Class A sound absorption with NRC 1.0 (ISO 354/ASTM C423/ISO 11654)
	Absorbs 94% of human speech frequencies
	Class A fire and smoke safety (UL 723/ASTM E84)
	CAL 133, 117 pass
	Sleek profile at only 1.4” thick
	Ceiling mounted/Wall mounted/Freestanding
Design	Alberto and Francesco Meda

FLAT/FLAT LUX/FLAT TOTEM WALL/CEILING COMPLETE KIT

Call your representative for stock levels and availability

15" X 15" X 29" PANELS

For direct surface mounting on wall or ceiling.

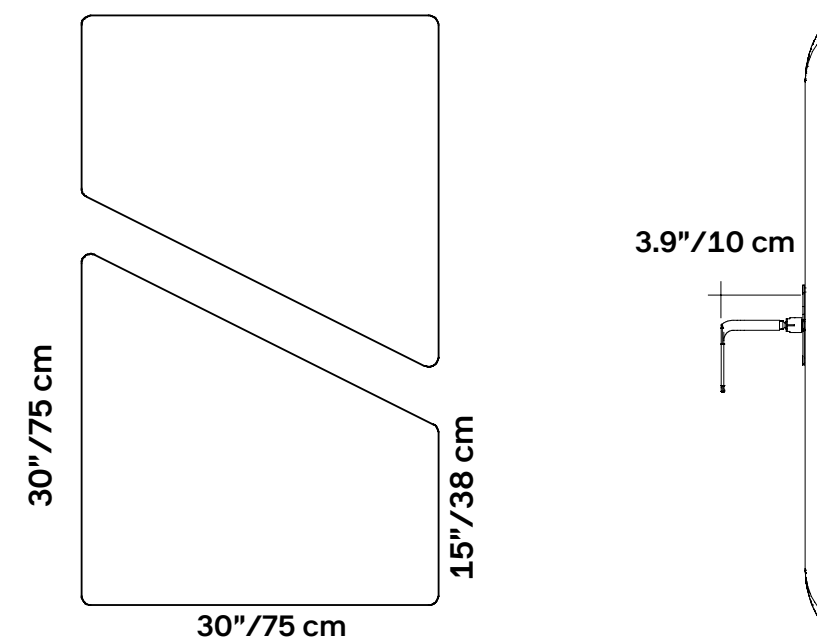


Color	Part No	Kit includes	02 Flat panels
White	40036259		02 3" brackets
Special Order Color MOQ: 45			

For larger swatches & full color options, please refer to pages 32–34.

15" X 30" X 30" PANELS

For direct surface mounting on wall or ceiling.

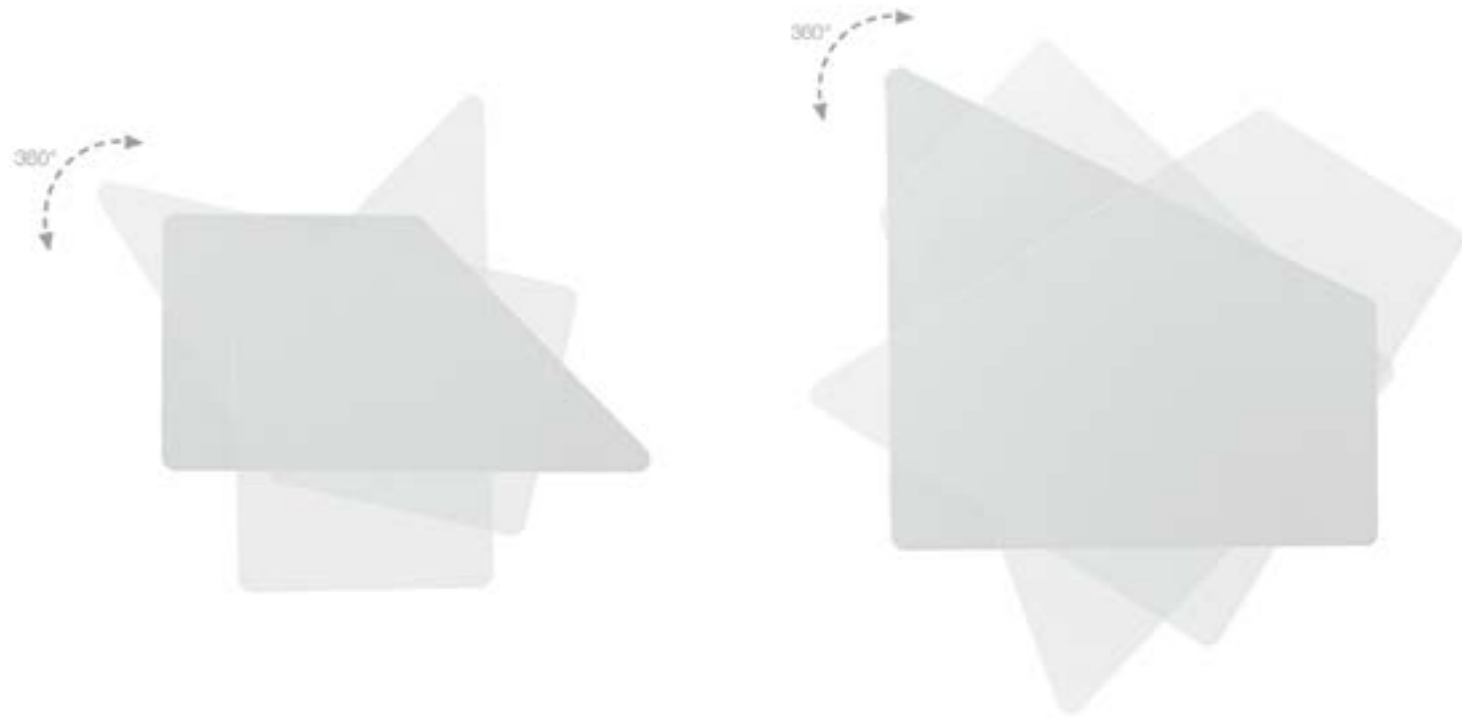


Color	Part No	Kit includes	02 Flat panels
White	40036258		02 3" brackets
Special Order Color MOQ: 30			

Panels available in special order colors. Special order colors require:

- MOQ varies from size to size
- Lead time up to 14–16 weeks
- +10% Custom service fee

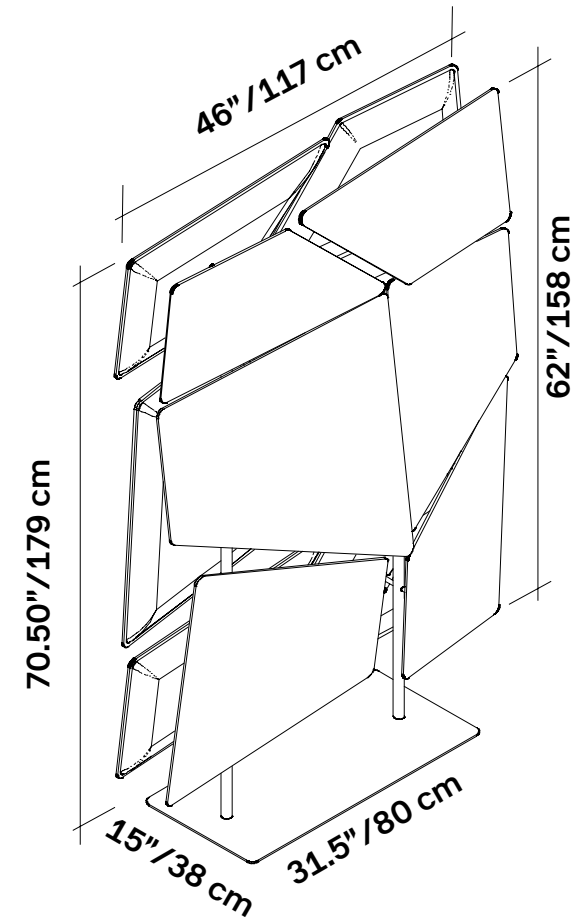
FLAT/FLAT LUX/FLAT TOTEM WALL/CEILING COMPLETE KIT



Equipped with chrome-plated metal plate for wall fixing. The panel can be tilted in any direction and can rotate 360 degrees. Despite their irregular shape, the panels can create innumerable combinations, including rectangles and squares.

FLAT TOTEM KIT

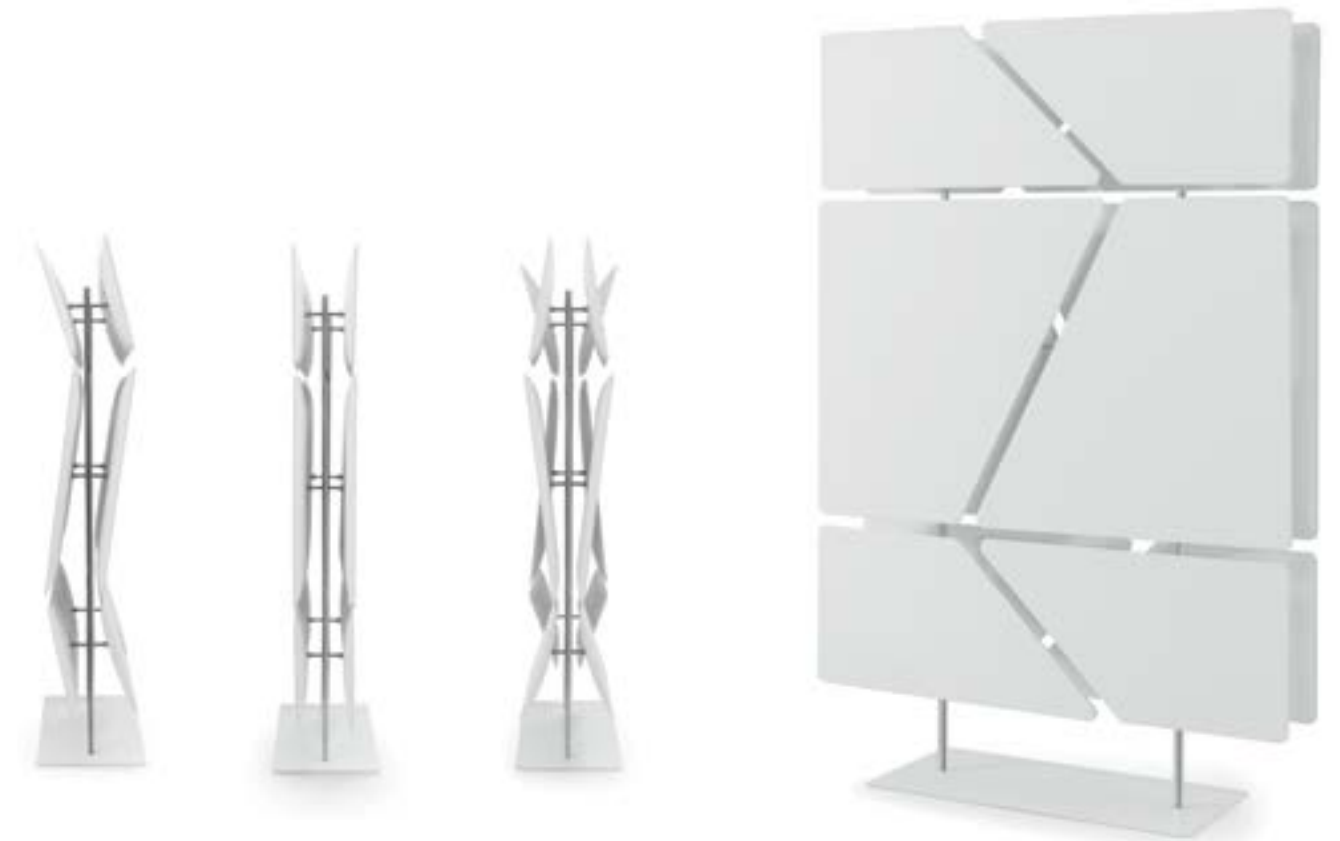
Call your representative for stock levels and availability



Color	Part No
White	40036260

For direct surface mounting on wall.

Kit includes	04 pairs (15" x 15" x 29") small panels
	02 pairs (15" x 30" x 30") large panels
	(12 panels total) with stand.



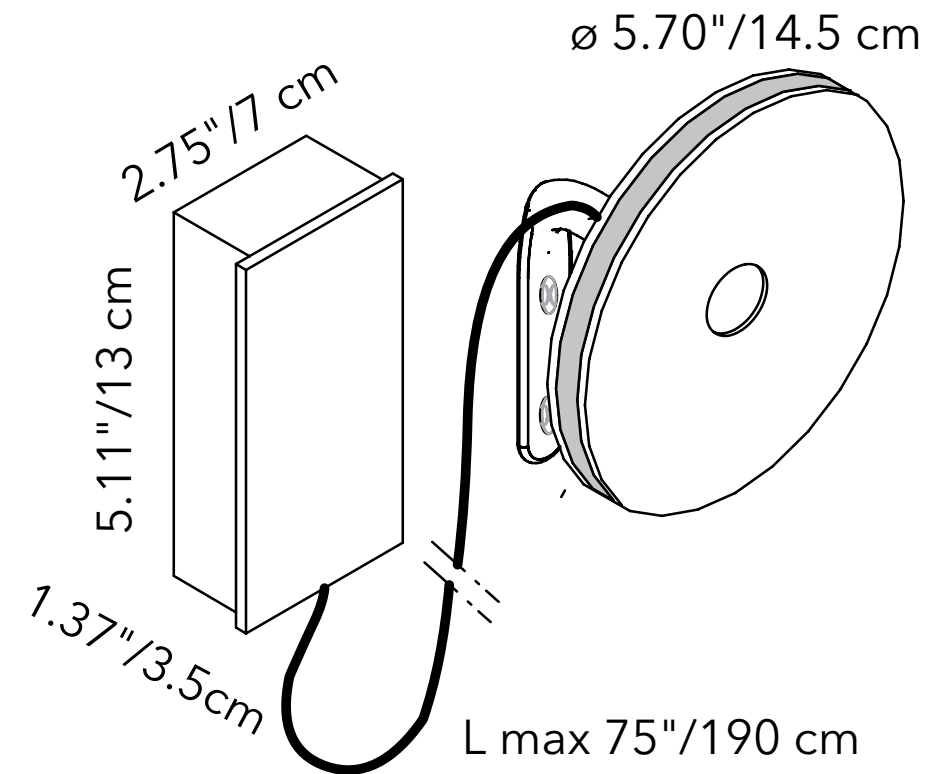
For larger swatches & full color options, please refer to pages 32–34.

FLAT LUX

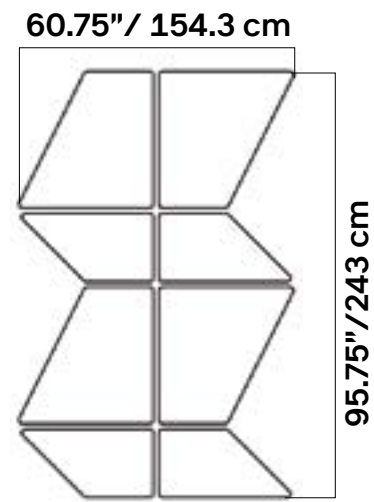
FLAP LED KIT - 4 LIGHT PACK

Led back lighting system for Flap and Flap Grande
LED (6 W – 3000° K) Complete with power supply

Led	Single Light	04 Light pack
Part No	40025093	40025092
QTY	01 Kit	01 Kit

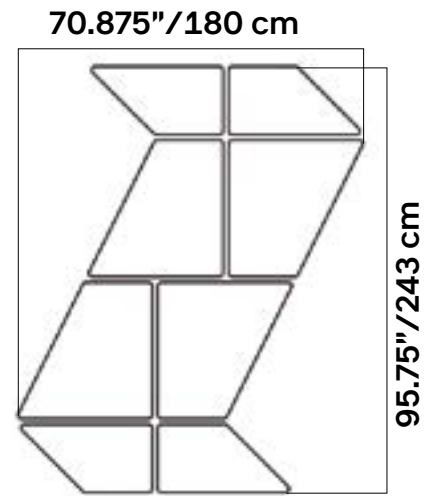


FLAT WALL/CEILING TYPICALS



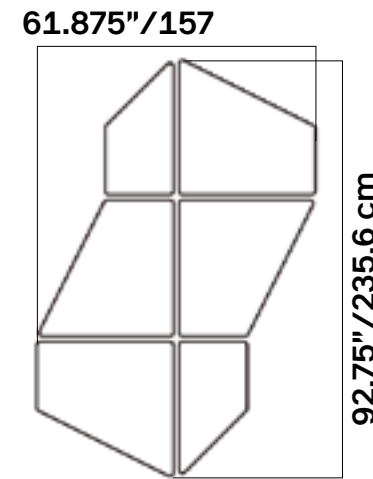
Part No 40036259
02 FLAT SMALL (PAIR)

Part No 40036258
02 FLAT LARGE (PAIR)



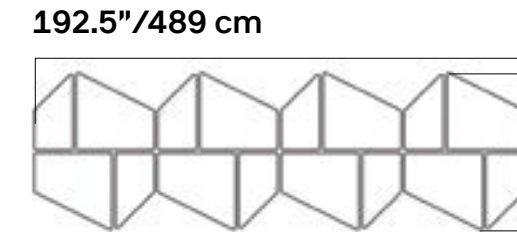
40036259
02 FLAT SMALL (PAIR)

40036258
02 FLAT LARGE (PAIR)



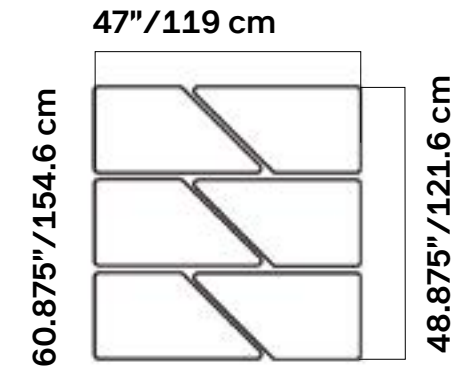
40036259
01 FLAT SMALL (PAIR)

40036258
02 FLAT LARGE (PAIR)

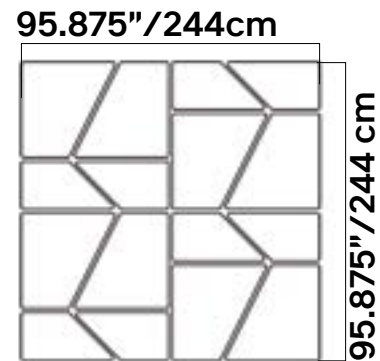


40036259
04 FLAT SMALL (PAIR)

40036258
04 FLAT LARGE (PAIR)

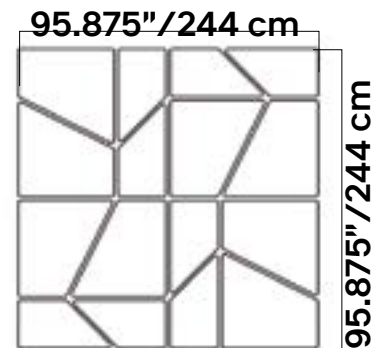


40036259
03 FLAT SMALL (PAIR)



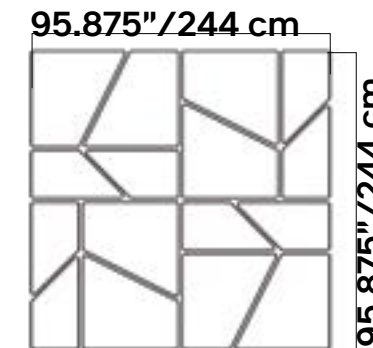
Part No 40036259
04 FLAT SMALL (PAIR)

Part No 40036258
04 FLAT LARGE (PAIR)



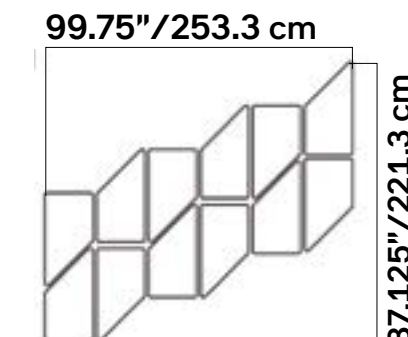
40036259
04 FLAT SMALL (PAIR)

40036258
04 FLAT LARGE (PAIR)



40036259
04 FLAT SMALL (PAIR)

40036258
04 FLAT LARGE (PAIR)



40036259
06 FLAT SMALL (PAIR)

FLAT WALL/CEILING TYPICALS

Note: Approximate 2" (5 cm) gap between panels for spacing

Angled inward/outward



Flat



Rotated/ tilted



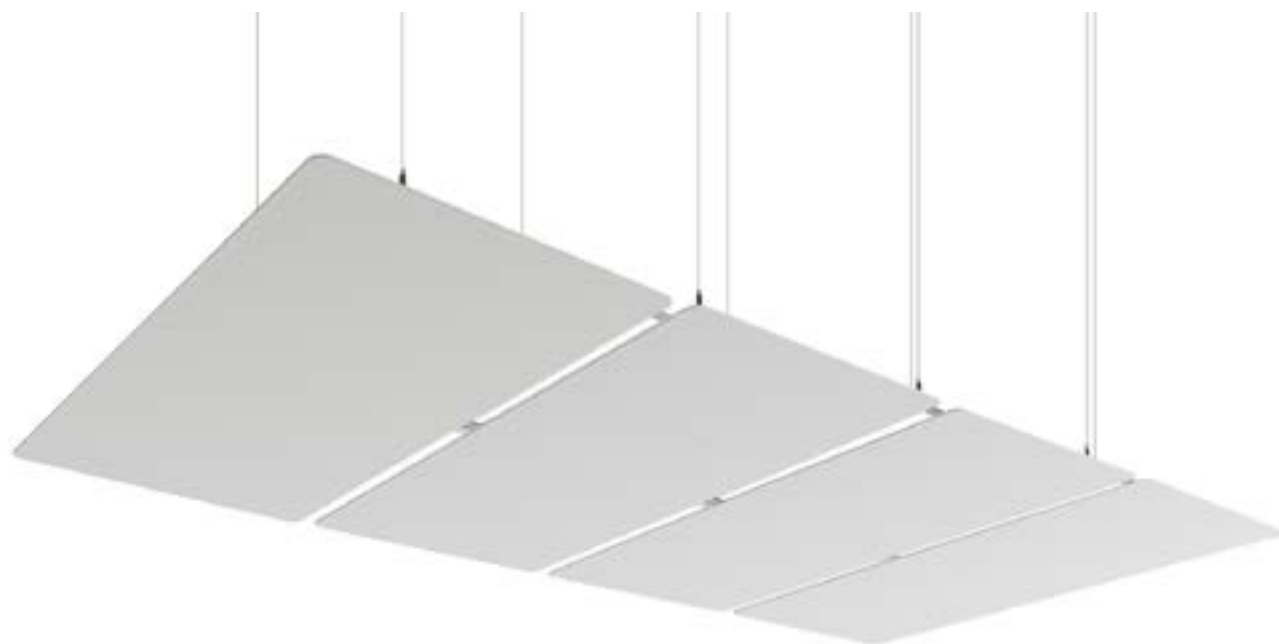
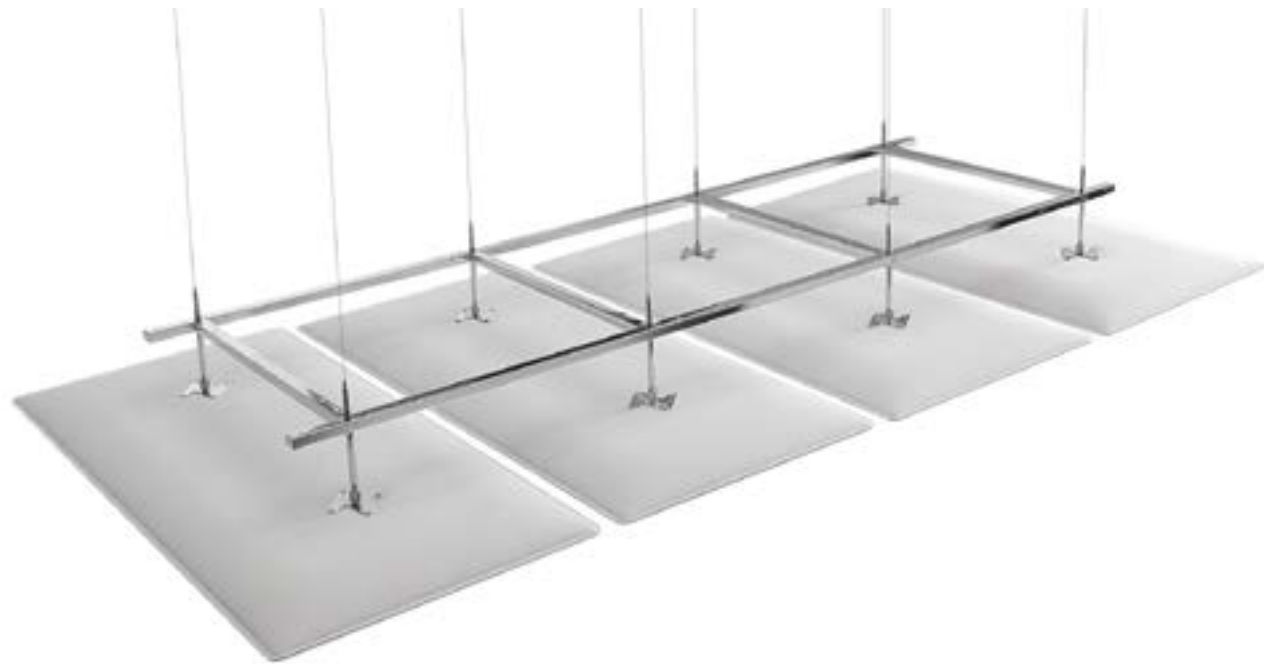
FLOAT



FLOAT

FLOAT Panels constitute a modular sound-absorbing system crafted with polyester internal padding featuring Snowsound® Technology variable density. They are covered with Trevira CS® fabric. Thanks to their minimalist design and numerous compositional possibilities, Float panels provide elegant and functional solutions suitable for both small and large spaces.

Specs	Polyester internal padding with SNOWSOUND technology, polyester covering in Trevira CS® fabric
	Single material and 100% recyclable
	Eco friendly – Greenguard Gold
	Durable, tackable double-sided surface
	Patented variable density composition
	Class A sound absorption with NRC 1.0 (ISO 354/ASTM C423/ISO 11654)
	Absorbs 94% of human speech frequencies
	Class A fire and smoke safety (UL 723/ASTM E84)
	CAL 133, 117 pass
	Sleek profile at only 1.4” thick
	Ceiling suspended
	CE certified for ceiling application
Design	Alberto and Francesco Meda

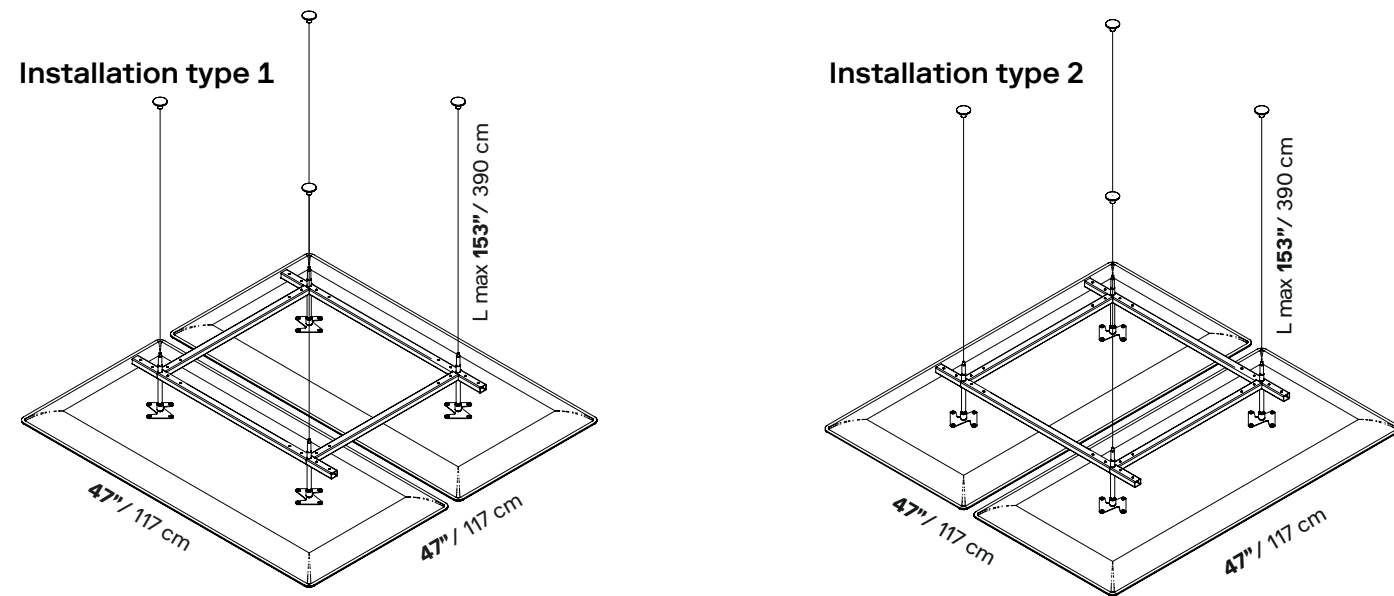


FLOAT COMPLETE KIT

Call your representative for stock levels and availability

STARTING MODULE 2 PANEL 47" X 47"

For ceiling suspended mounting

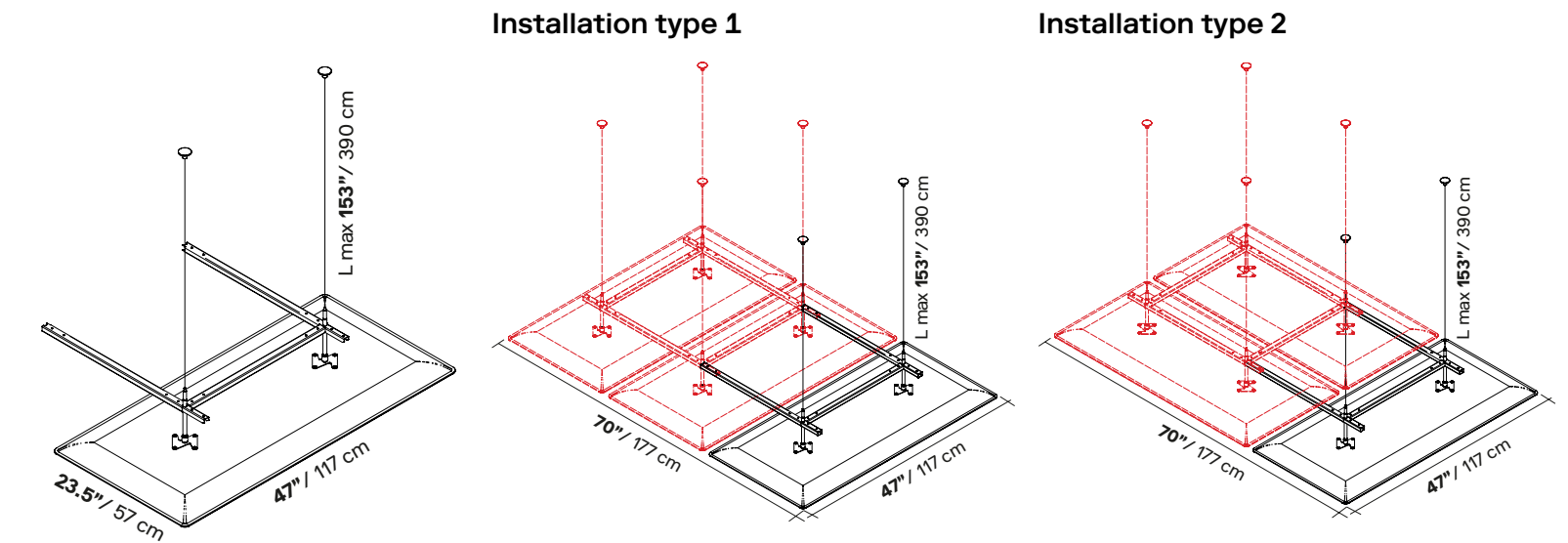


Color	Part No
White	40051069
Special Order Color MOQ: 50	

Kit includes
02 Adjustable panels
04 Suspension cables
04 Ceiling plates
01 Ceiling frame
02 Hangings

ADDER MODULE - SINGLE UNIT 1 PANEL 23.5" X 47"

For ceiling suspended mounting



Color	Part No
White	40052007
Special Order Color MOQ: 60	

Kit includes
01 Adjustable panels
02 Suspension cables
02 Ceiling plates
01 Ceiling frame
02 Hangings

For larger swatches & full color options, please refer to pages 32–34.

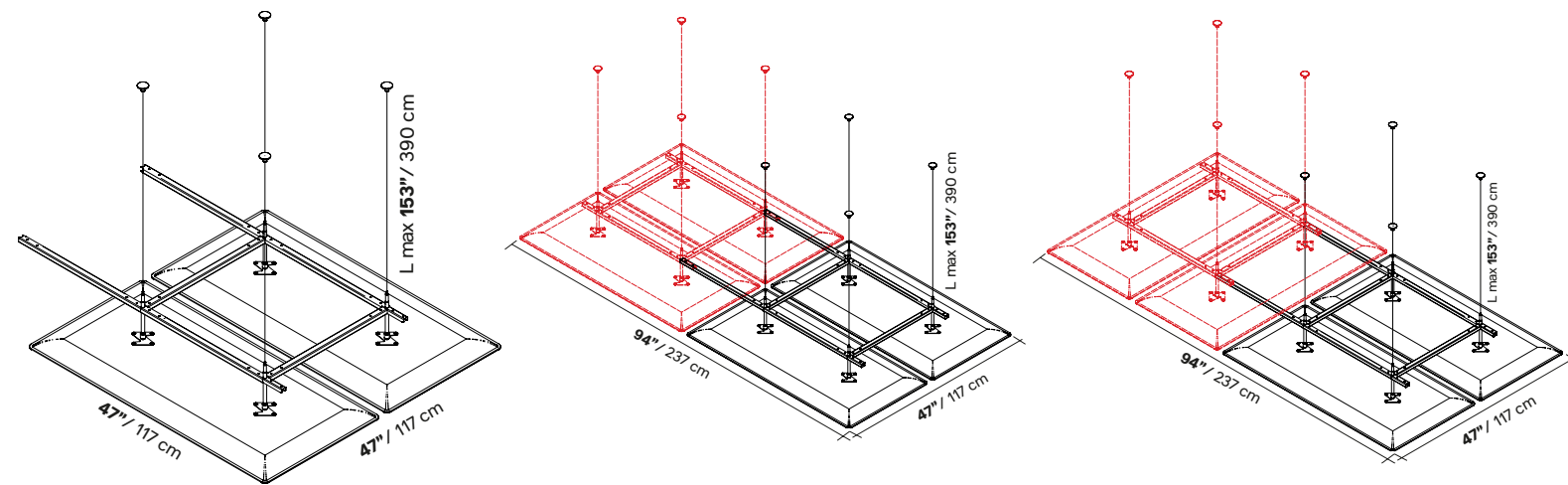
Panels available in special order colors. Special order colors require:

- MOQ varies from size to size,
- Lead time up to 14–16 weeks
- +10% Custom service fee

FLOAT COMPLETE KIT

ADDER MODULE - DOUBLE UNIT 2 PANEL 47" X 47"

For ceiling suspended mounting



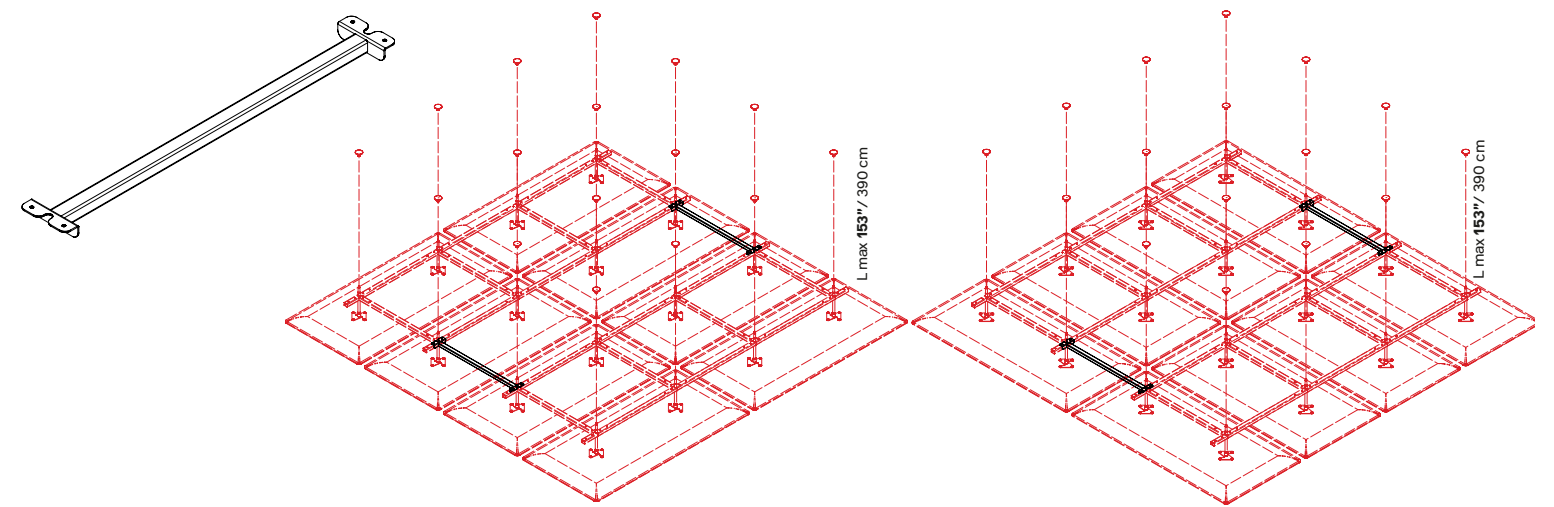
Color	Part No
White	40052008
Special Order Color MOQ: 60	

Kit includes	02 Adjustable panels
	02 Suspension cables
	02 Ceiling plates
	01 Ceiling Frame
	04 Hangings

For larger swatches & full color options, please refer to pages 32–34.
Panels available in special order colors.

CONNECTOR JOINT

Examples of using connector joint spacer



Part No	40052006
QTY	01
Finish	Chrome

Special order colors require:
– MOQ varies from size to size
– Lead time up to 14–16 weeks
– +10% Custom service fee

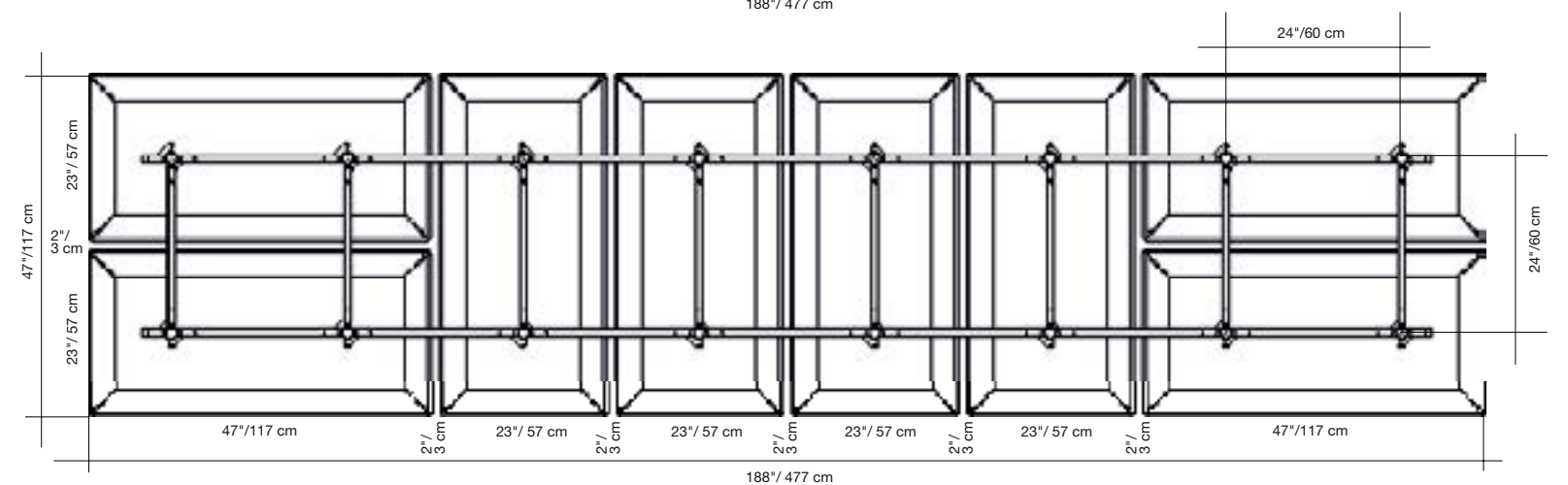
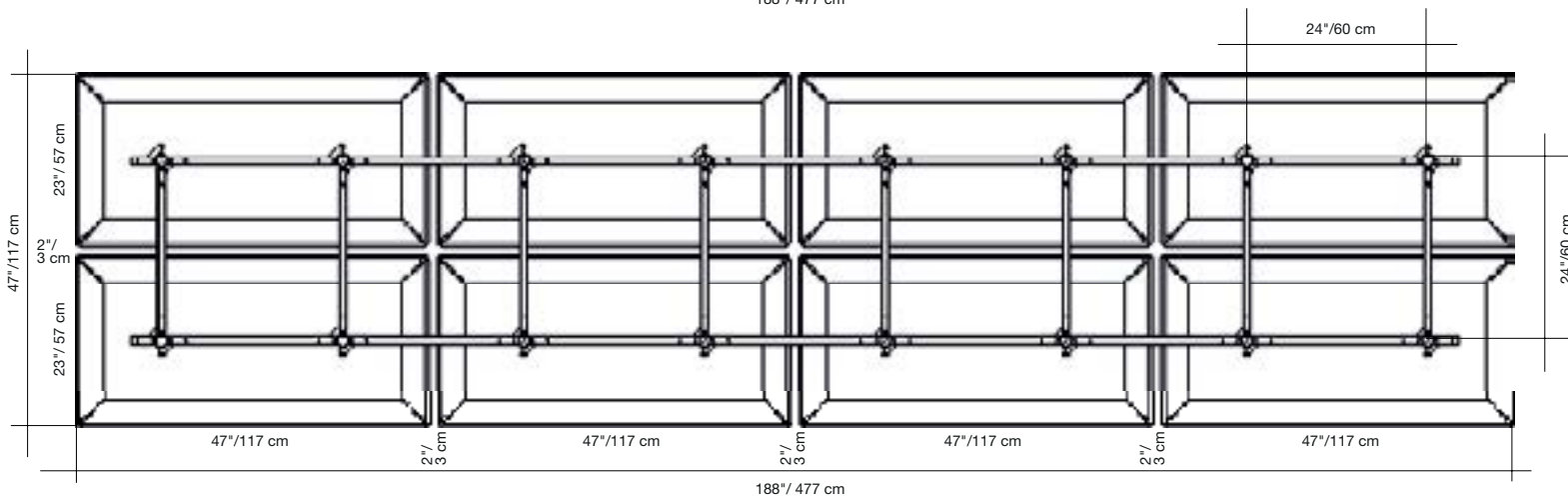
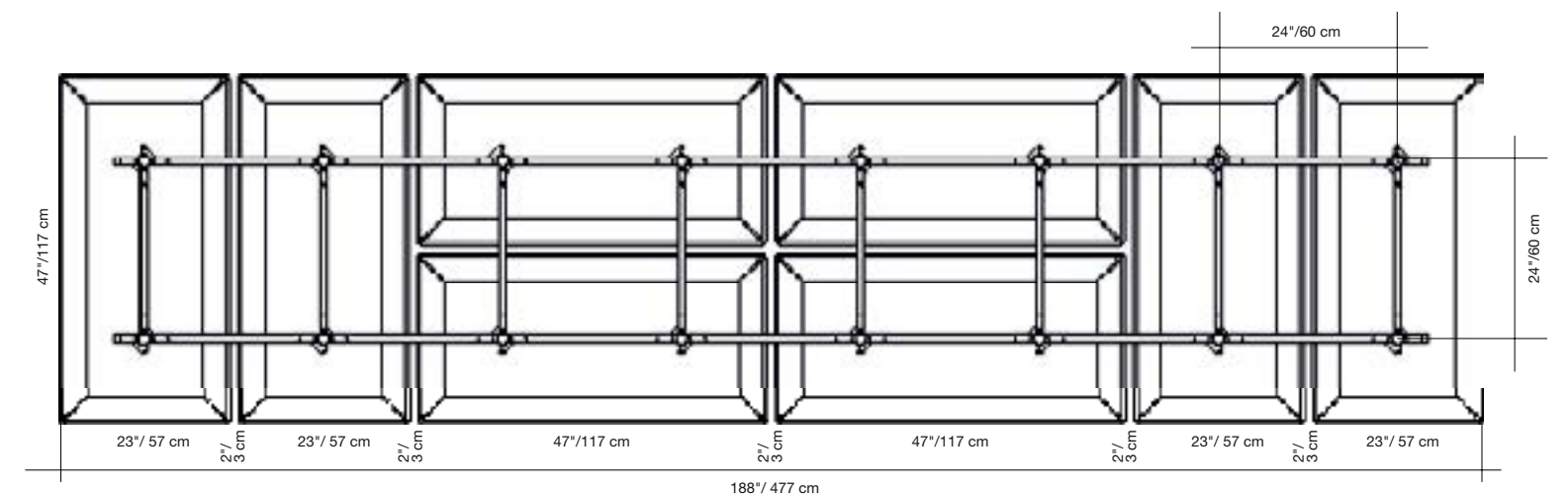
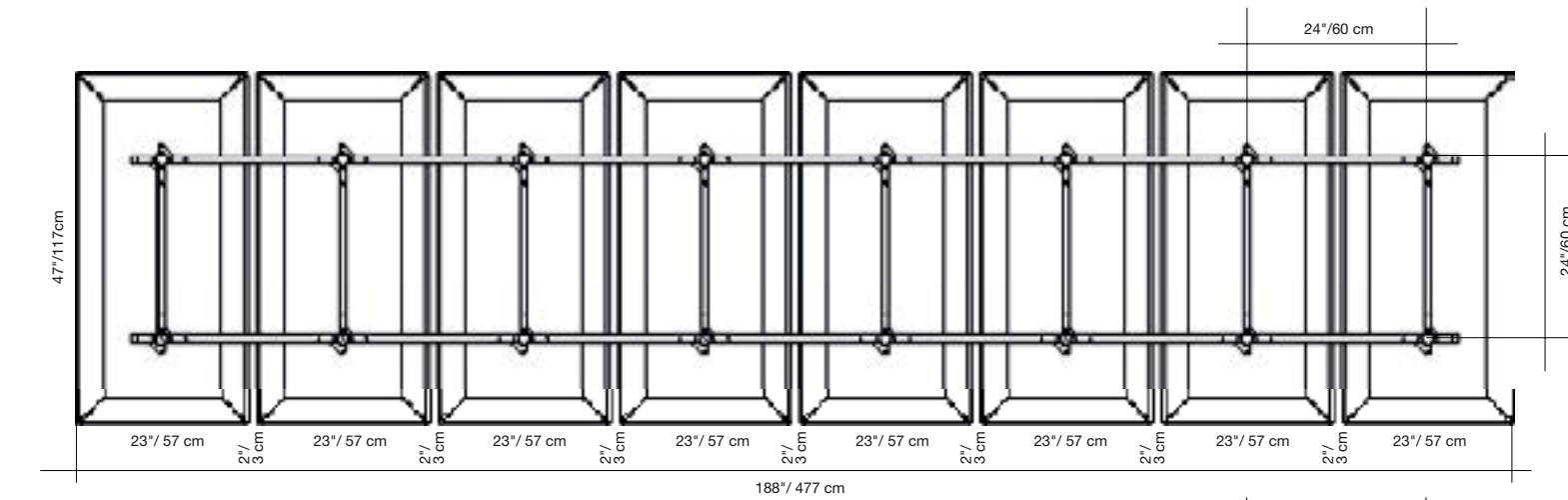
FLOAT CEILING TYPICALS

Part No

40051069 + 40052008

QTY

01 Starting Module + 03 Adder Module



GIOTTO/GIOTTO LUX



GIOTTO/GIOTTO LUX

GIOTTO WALL: This panel features polyester internal padding with Snowsound® Technology variable density and is covered with Trevira CS® fabric. It comes complete with a wall mounting bracket available in chrome-plated steel or gloss black finish.

GIOTTO LUX: These sound-absorbing panels have a circular shape, with a central light fixture made of enameled metal housing a LED light source. The fixture is protected by a shade in frosted white polyethylene, ensuring uniform light distribution.

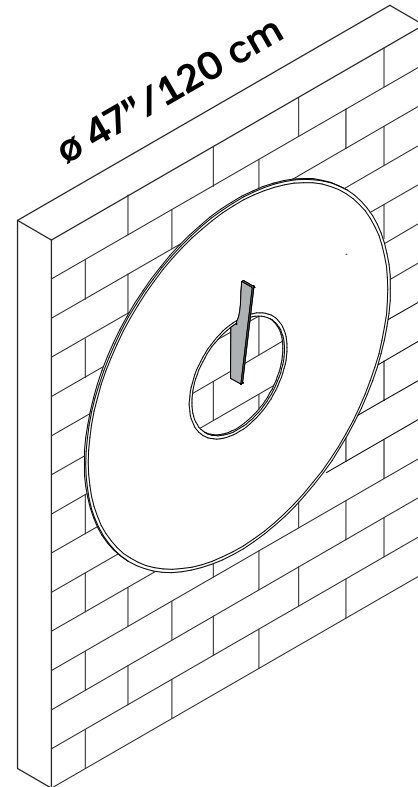
GIOTTO CEILING: This panel features polyester internal padding with Snowsound® Technology variable density and is covered with Trevira CS® fabric. It comes equipped with a steel frame and a "Kit" for ceiling suspension, which includes 3 ceiling plates with 2 holes each, 3 steel cables, and 3 cable fasteners for the frame.



Specs	Polyester internal padding with SNOWSOUND technology, polyester covering in Trevira CS® fabric
	Single material and 100% recyclable
	Eco friendly – Greenguard Gold
	Durable, tackable double-sided surface
	Patented variable density composition
	Class A sound absorption with NRC 1.0 (ISO 354/ASTM C423/ISO 11654)
	Absorbs 94% of human speech frequencies
	Class A fire and smoke safety (UL 723/ASTM E84)
	CAL 133, 117 pass
	Sleek profile at only 1.4” thick
	Ceiling suspended
	Wall mounted
Design	Sezgin Asku

GIOTTO WALL/CHROME PLATED COMPLETE KIT

Call your representative for stock levels and availability



Color	Part No
White	40025190
Silver Gray	40025191
Beige	40025192
Carrot Orange	40025679**

Special Order Color
MOQ: 18

** Extended lead time

Extended lead time colors require: up to 10–12 weeks

Quick Ship items only show item number without additional notation

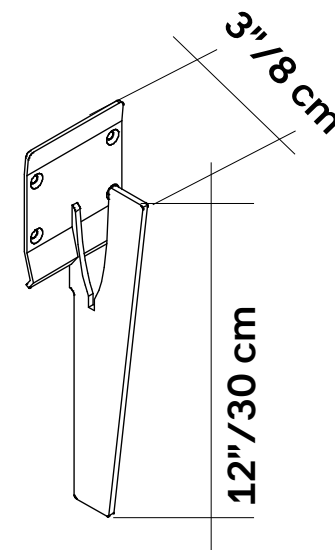
For larger swatches & full color options, please refer to pages 32–34.

SNOWSOUND

Kit includes

01 Wall mount bracket

01 Giotto Panel



Chrome-plated Bracket

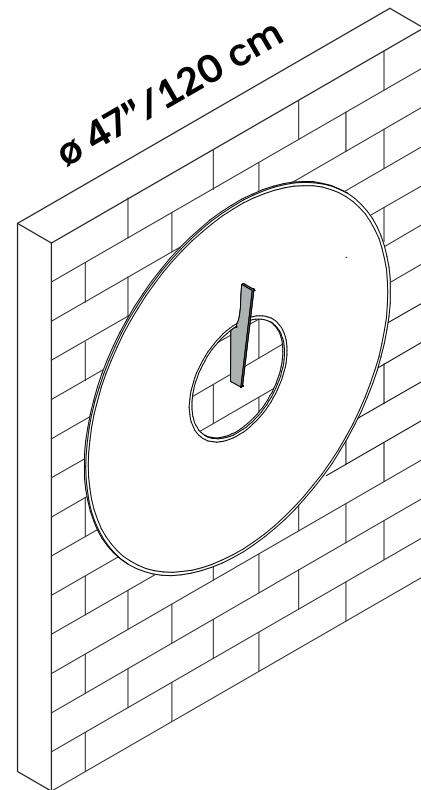
Panels available in special order colors. Special order colors require:

- MOQ varies from size to size
- Lead time up to 14–16 weeks
- +10% Custom service fee

Spec Guide 2024 V1.0

GIOTTO WALL/BLACK GLOSS COMPLETE KIT

Call your representative for stock levels and availability

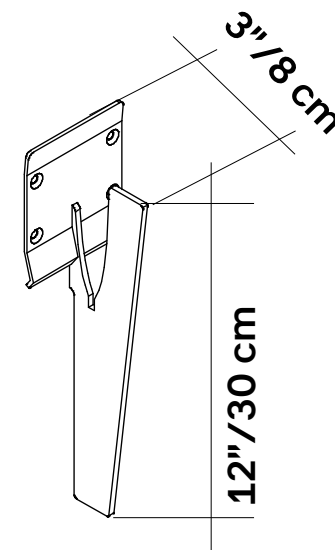


Color	Part No
White	40025186
Silver Gray	40025187
Beige	40025188
Carrot Orange	40025189**

Special Order Color
MOQ: 18

** Extended lead time
Extended lead time colors require: up to 10–12 weeks
Quick Ship items only show item number without additional notation
For larger swatches & full color options, please refer to pages 32–34.

Kit includes	01 Wall mount bracket
	01 Giotto Panel

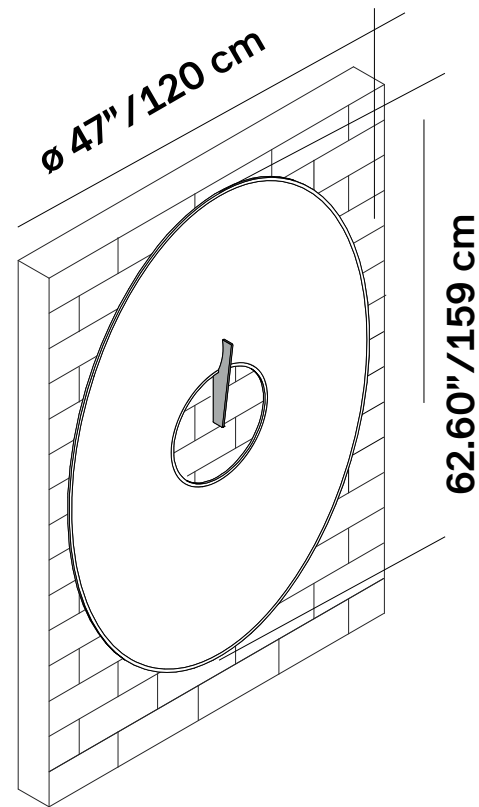


Gloss Black Bracket

Panels available in special order colors. Special order colors require:
– MOQ varies from size to size
– Lead time up to 14–16 weeks
– +10% Custom service fee

GIOTTO OVAL WALL/CHROME PLATED COMPLETE KIT

Call your representative for stock levels and availability



Color	Part No
White	40025264**
Silver	40025265**
Gray	
Beige	40025266**
Carrot	40025267**
Orange	

Special Order Color
MOQ: 18

** Extended lead time

Extended lead time colors require: up to 10–12 weeks

Quick Ship items only show item number without additional notation

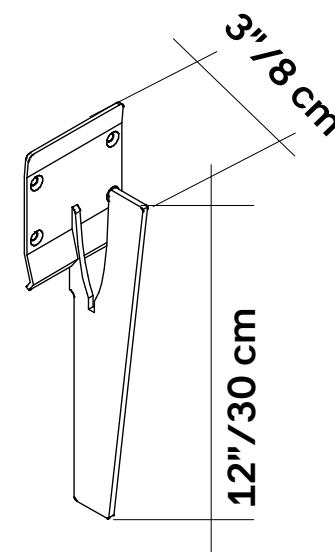
For larger swatches & full color options, please refer to pages 32–34.

SNOWSOUND

Kit includes

01 Wall mount bracket

01 Giotto oval panel



Chrome-plated Bracket

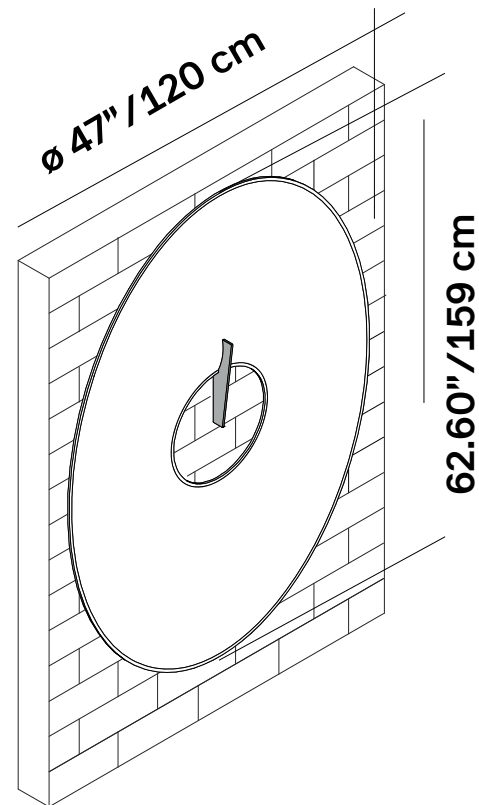
Panels available in special order colors. Special order colors require:

- MOQ varies from size to size
- Lead time up to 14–16 weeks
- +10% Custom service fee

Spec Guide 2024 V1.0

GIOTTO OVAL WALL/BLACK GLOSS COMPLETE KIT

Call your representative for stock levels and availability



Color	Part No
White	40025268**
Silver Gray	40025269**
Beige	40025270**
Carrot Orange	40025271**

Special Order Color
MOQ: 18

** Extended lead time

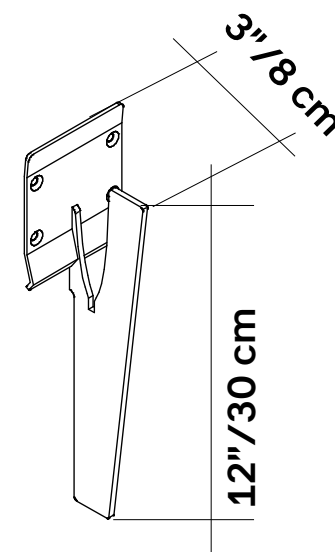
Extended lead time colors require: up to 10–12 weeks

Quick Ship items only show item number without additional notation

For larger swatches & full color options, please refer to pages 32–34.

SNOWSOUND

Kit includes	01 Wall mount bracket
	01 Giotto oval panel



Gloss Black Bracket

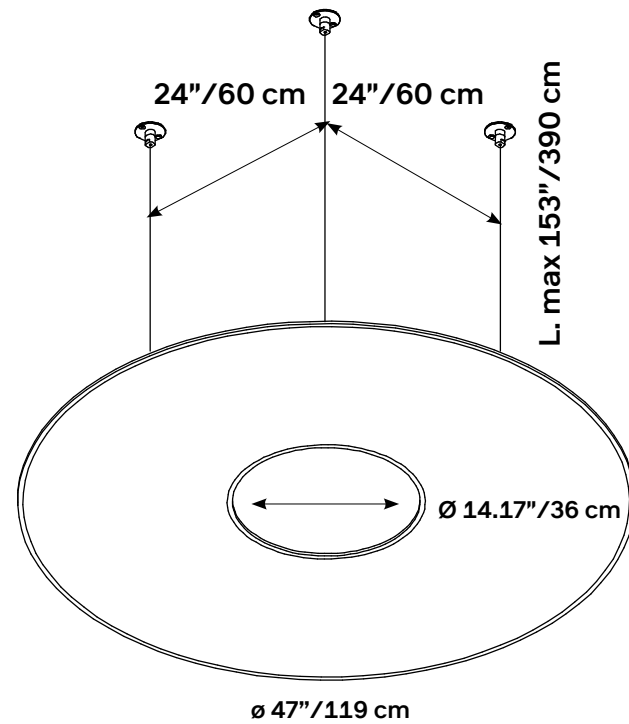
Panels available in special order colors. Special order colors require:

- MOQ varies from size to size
- Lead time up to 14–16 weeks
- +10% Custom service fee

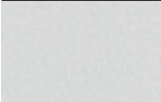
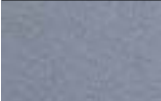
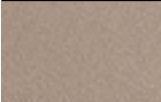


Spec Guide 2024 V1.0

GIOTTO CEILING COMPLETE KIT

Call your representative for stock levels and availability



Kit includes	01 Steel frame
	03 Ceiling plates
	03 Cables
	03 Cable fasteners for frame
	01 Giotto panel
Weight	11.9 lbs

	Color	Part No
	White	40025194
	Silver	40025195
	Gray	
	Beige	40025196
	Carrot Orange	40025197**

Special Order Color
MOQ: 18

** Extended lead time
Extended lead time colors require: up to 10–12 weeks
Quick Ship items only show item number without additional notation
For larger swatches & full color options, please refer to pages 32–34.

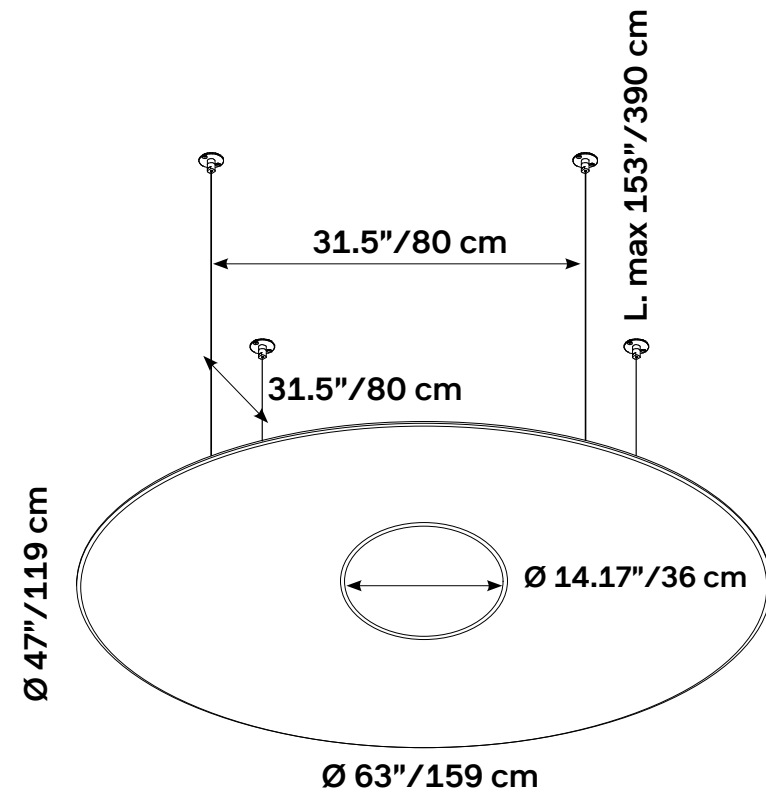


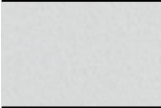

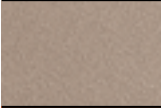


Panels available in special order colors. Special order colors require:

- MOQ varies from size to size
- Lead time up to 14–16 weeks
- +10% Custom service fee

GIOTTO OVAL CEILING COMPLETE KIT

Call your representative for stock levels and availability



	Color	Part No
	White	40025272**
	Silver	40025273**
	Gray	
	Beige	40025275**
	Carrot Orange	40025274**

Special Order Color
MOQ: 18

** Extended lead time

Extended lead time colors require: up to 10–12 weeks

Quick Ship items only show item number without additional notation

For larger swatches & full color options, please refer to pages 32–34.

Kit includes	01 Steel frame
	04 Ceiling plates
	04 Cables
	04 Cable fasteners for frame
	01 Giotto oval panel
Weight	17.6 lbs

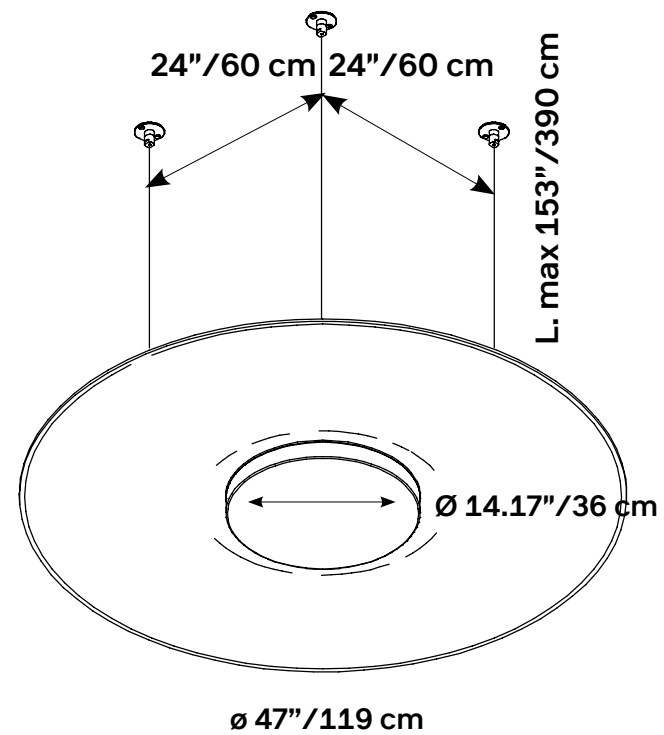


Panels available in special order colors. Special order colors require:

- MOQ varies from size to size
- Lead time up to 14–16 weeks
- +10% Custom service fee

GIOTTO CEILING LUX COMPLETE KIT

Call your representative for stock levels and availability



Kit includes	01 Giotto panel with lighting system
Wattage/Lumens	25W/1200LM
CCT	3000K
Projected Lifetime	30,000 hours
Operating Temperature	20°C – 50°C

Color	Part No
White	40025276
Silver Gray	40025277
Beige	40025278
Carrot Orange	40025279**

Special Order Color
MOQ: 18

** Extended lead time

Extended lead time colors require: up to 10–12 weeks

Quick Ship items only show item number without additional notation

For larger swatches & full color options, please refer to pages 32–34.

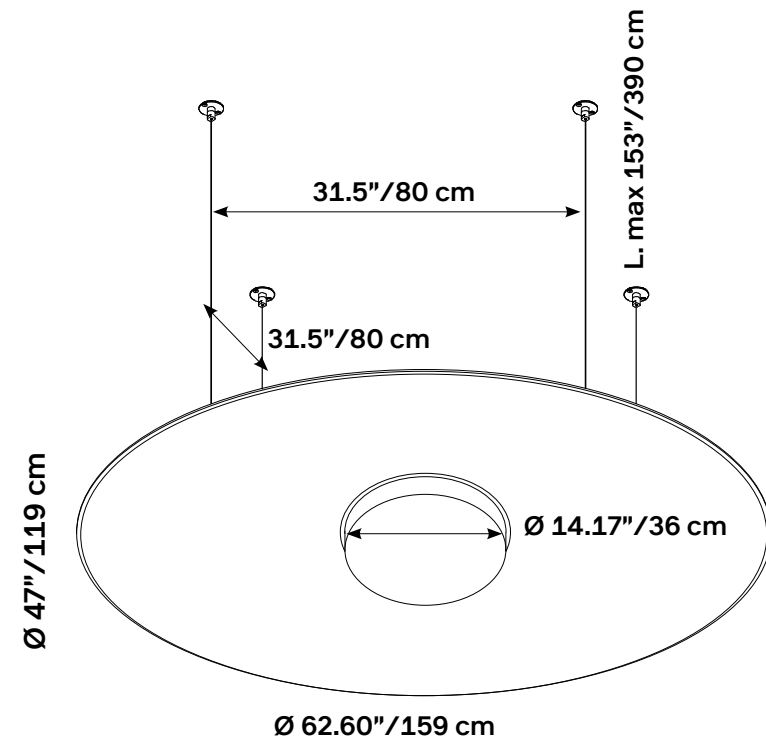


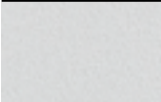

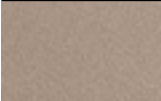


Panels available in special order colors. Special order colors require:

- MOQ varies from size to size
- Lead time up to 14–16 weeks
- +10% Custom service fee

OVAL CEILING LUX COMPLETE KIT

Call your representative for stock levels and availability



	Color	Part No
	White	40025280**
	Silver	40025281**
	Gray	
	Beige	40025282**
	Carrot Orange	40025283**

Special Order Color
MOQ: 18

** Extended lead time

Extended lead time colors require: up to 10–12 weeks

Quick Ship items only show item number without additional notation

For larger swatches & full color options, please refer to pages 32–34.

SNOWSOUND

Kit includes	01 Oval panel with lighting system
Wattage/Lumens	25W/1200LM
CCT	3000K
Projected Lifetime	30,000 hours
Operating Temperature	20°C – 50°C

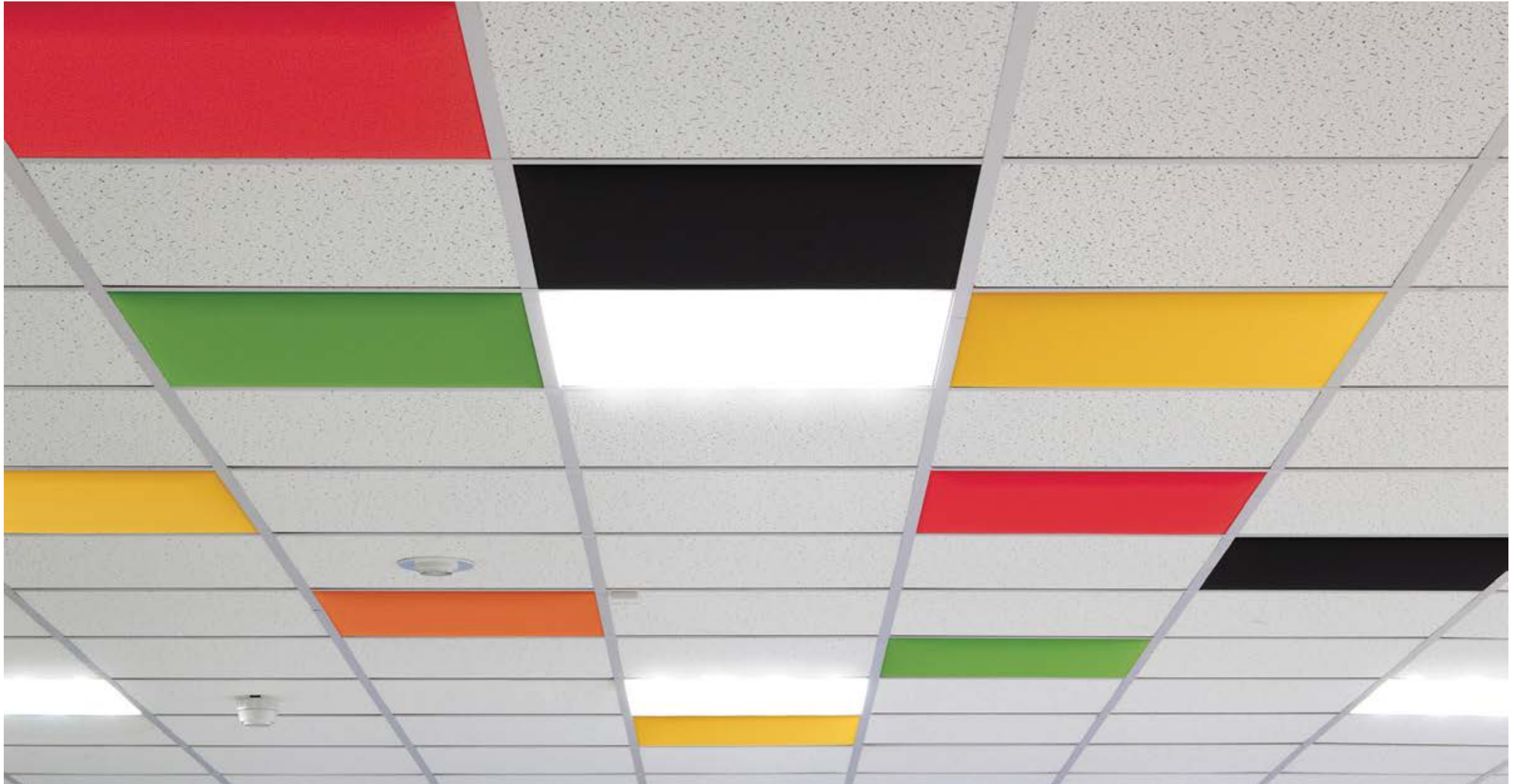


Panels available in special order colors. Special order colors require:

- MOQ varies from size to size
- Lead time up to 14–16 weeks
- +10% Custom service fee

Spec Guide 2024 V1.0

IN

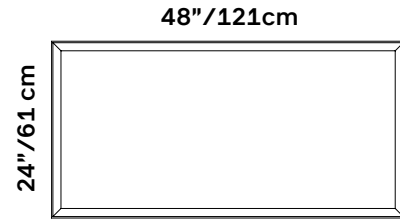
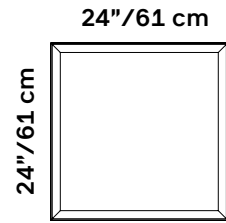


IN

IN patented Snowsound® panels seamlessly integrate into standard 2' x 2' or 2' x 4' drop ceiling grids, either as a highlight or blending naturally with the existing colors. They offer superior acoustic comfort compared to traditional Acoustic Ceiling Tiles (ACT). This system is adaptable for retrofitting into existing spaces or specifying architecturally during the design phase. IN panels are compatible with the following grid systems: 15/16ths T-bar, 9/16ths T-bar, 9/16ths bolt slot.

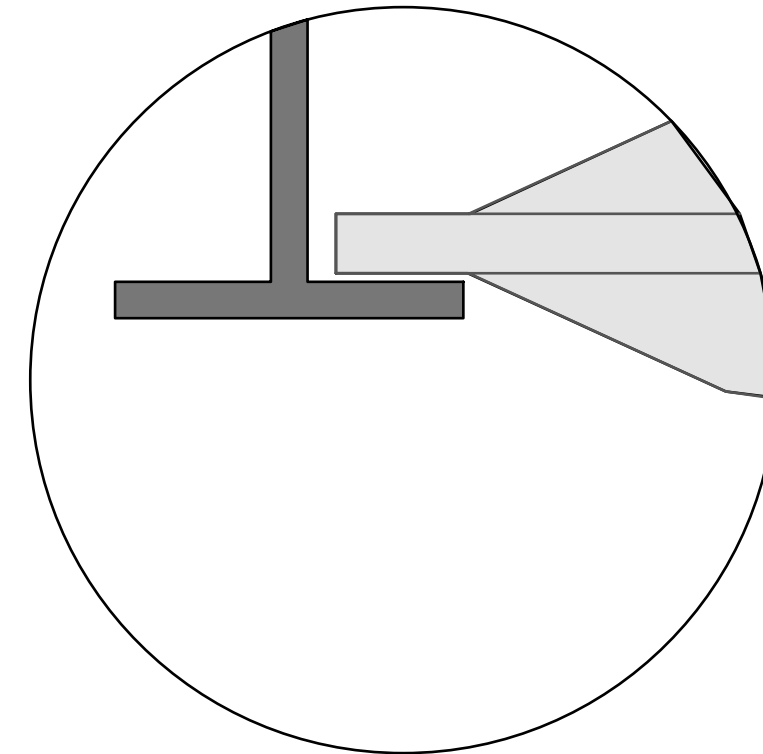


Specs	Polyester internal padding with SNOWSOUND technology, polyester covering in Trevira CS® fabric
	Single material and 100% recyclable
	Eco friendly – Greenguard Gold
	Durable, tackable double-sided surface
	Patented variable density composition
	Class A sound absorption with NRC 1.0 (ISO 354/ASTM C423/ISO 11654)
	Absorbs 94% of human speech frequencies
	Class A fire and smoke safety (UL 723/ASTM E84)
	CAL 133, 117 pass
	Sleek profile at only 1.4” thick
	CE certified for ceiling grids
	Weight 0.7 lbs/S.F.
Design	Snowsound Lab



Color	Part No	Part No
White	40020061	40020070
Beige	40020063	
Sun Yellow	40020064	
Carrot Orange	40024020	
Red	40020065	
Olive Green	40020066	
Blue	40020068	
	Special Order Color MOQ: 50	Special Order Color MOQ: 50

Designed to fit in a 2' x 2' (.61m x .61 m) acoustical drop ceiling grid.
Fine line grid, 9/16ths bolt slot grid & T-bar grid compatible.



Quick Ship items only show item number without additional notation
For larger swatches & full color options, please refer to pages 32–34.
Panels are available to order in all other colors shown on pages 32–34, MOQ required.

Special order colors require:
– MOQ varies from size to size
– Lead time up to 14–16 weeks
– +10% Custom service fee

INDUSTRIAL



INDUSTRIAL

INDUSTRIAL panels are constructed from variable density polyester and are devoid of external covering. They are equipped with supports for easy installation on ceilings, walls, or suspension via cables. This versatility ensures accessibility and effectiveness in addressing acoustic needs across diverse settings.

Specs	Single material and 100% recyclable
	Eco friendly – Greenguard Gold
	Class A sound absorption with (ISO 354)
	40mm thickness
	Class A fire and smoke safety (UL 723/ASTM E84)
Design	SNOWSOUND Lab



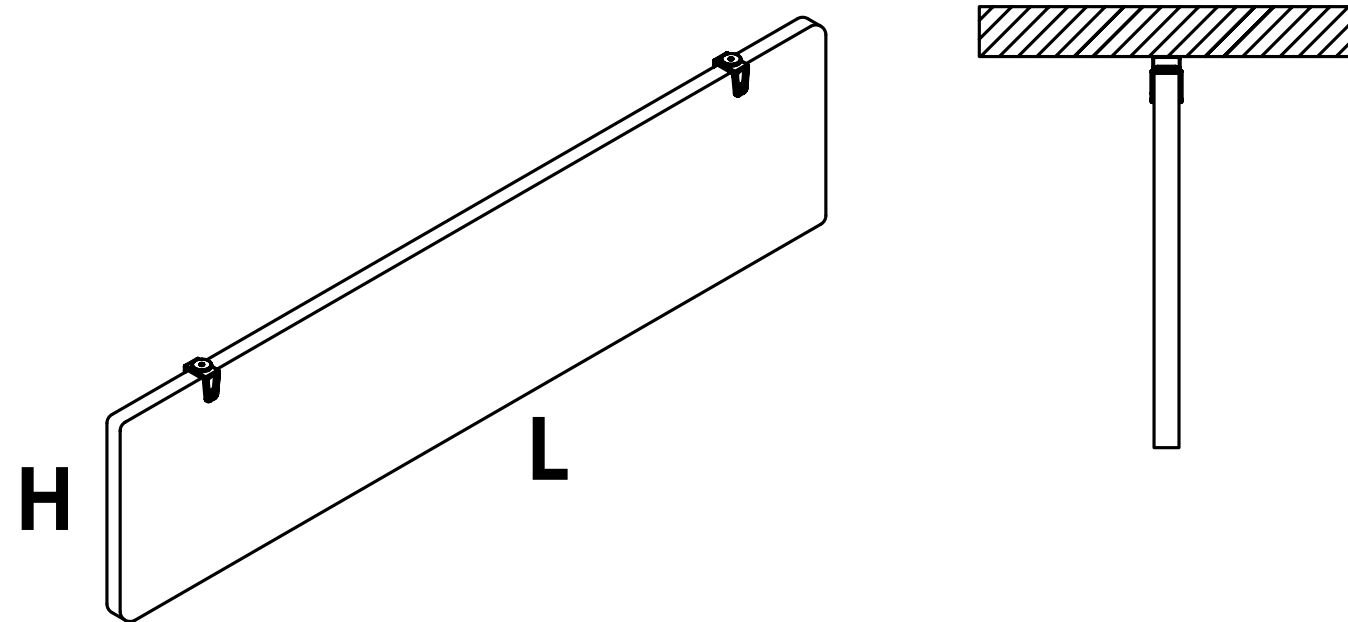
DIRECT MOUNTED BAFFLE COMPLETE SET

Call your representative for stock levels and availability

Kit includes	08 or 04 Industrial Panels
	16 or 08 sets (2 per panel) of chrome ceiling plates and panel hardware

Quantity of panels and hardware based on kit number and panel size.

Size	8.5" H x 47" L	8.5" H x 63" L	16" H x 63" L	23.5" H x 63" L	31.5" H x 47" L
QTY	08	08	04	04	04
Part No	7IN122/BD	7IN162/BD	7IN164/BD	7IN166/BD	7IN128/BD



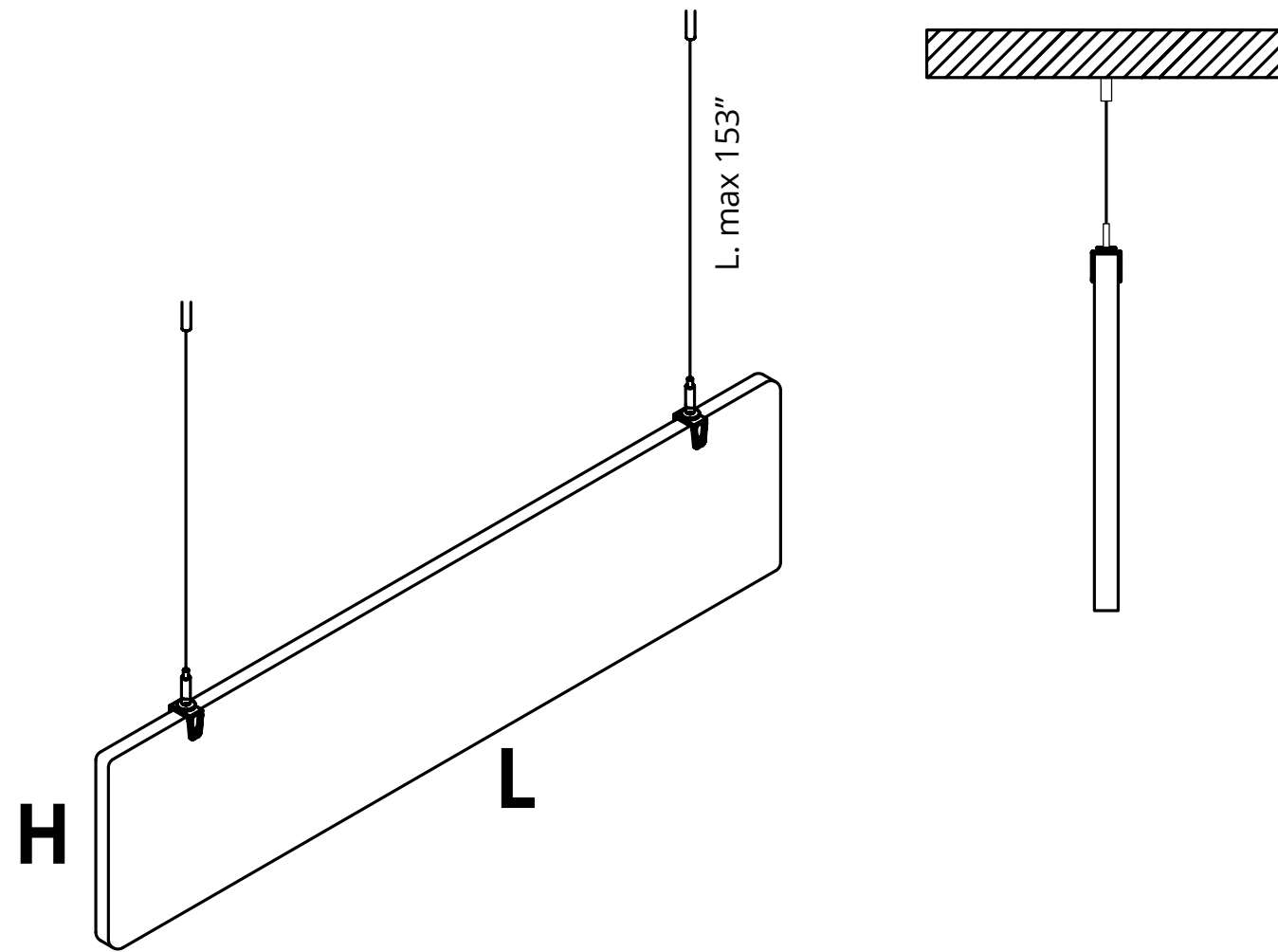
SUSPENDED BAFFLE COMPLETE SET

Call your representative for stock levels and availability

Kit includes	08 or 04 Industrial Panels
	16 or 08 sets (2 per panel) of chrome ceiling plates and panel hardware

Quantity of panels and hardware based on kit number and panel size.

Size	8.5" H x 47" L	8.5" H x 63" L	16" H x 63" L	23.5" H x 63" L	31.5" H x 47" L
QTY	08	08	04	04	04
Part No	7IN122/B	7IN162/B	7IN164/B	7IN166/B	7IN128/B



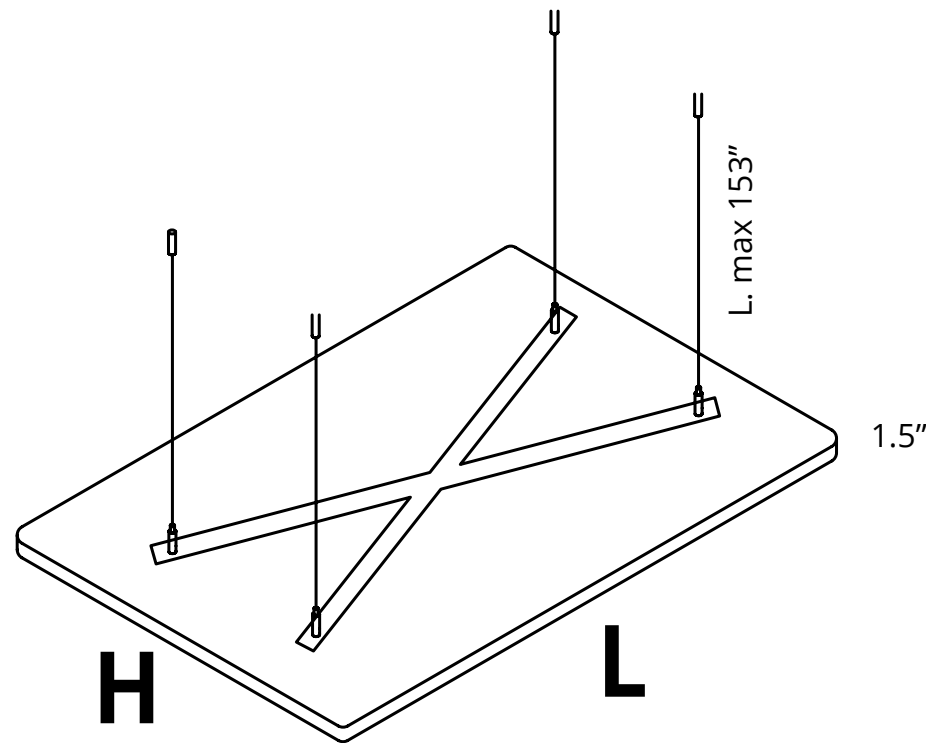
CEILING SUSPENDED CLOUD COMPLETE SET

Call your representative for stock levels and availability

Kit includes	04 or 02 Industrial Panels
	04 or 02 sets of frames
	16 or 08 sets (4 per panel) of ceiling plates, cables, and connectors to frame

Quantity of panels and hardware based on kit number and panel size.

Size	31.5" H x 47" L	23.5" H x 63" L	47" H x 63" L
QTY	04	04	02
Part No	7IN128/CC	7IN166/CC	7IN1612/CC



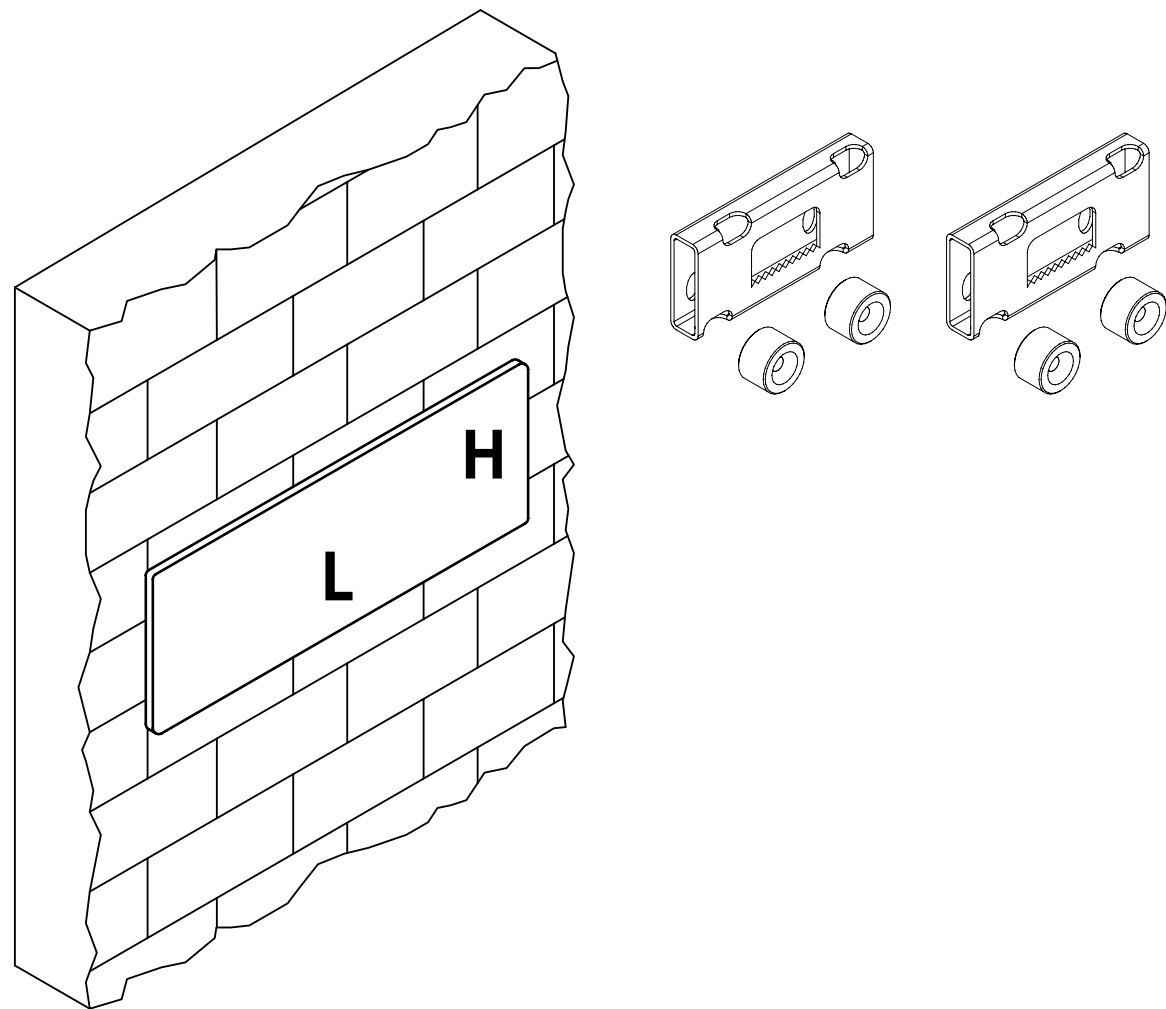
WALL MOUNTED COMPLETE SET

Call your representative for stock levels and availability

Kit includes	04 or 02 Industrial Panels
	08 or 04 sets (2 per panel) of Snowfix Smart wall connection hardware

Quantity of panels and hardware based on kit number and panel size.

Size	31.5" H x 47" L	23.5" H x 63" L	47" H x 63" L
QTY	04	04	02
Part No	7IN128/WD	7IN166/WD	7IN1612/WD



INTEGRAL



INTEGRAL

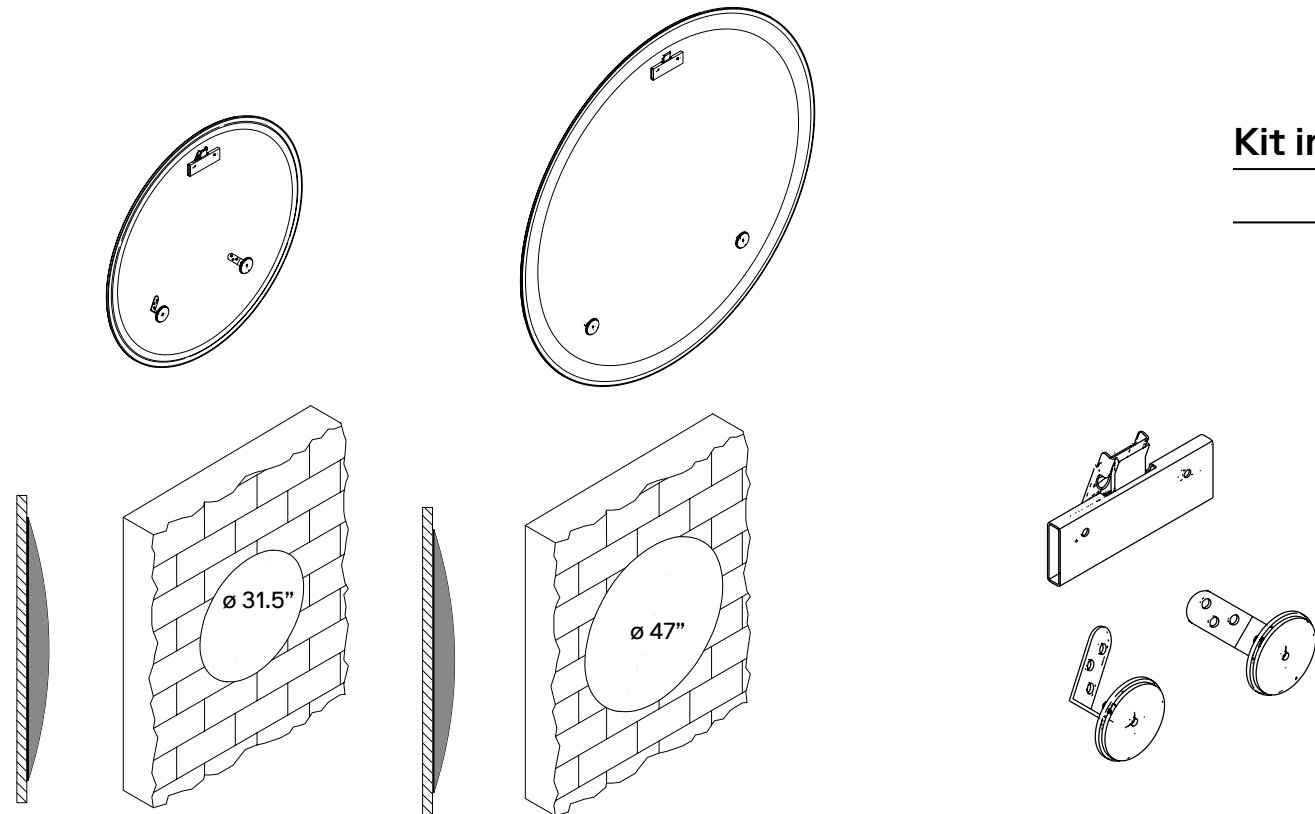
INTEGRAL convex circular sound-absorbing panels can be mounted on the wall, spaced 5 cm apart, or suspended from the ceiling using three height-adjustable cables. They offer the option to accessorize with indirect LED lighting, seamlessly combining lighting and acoustic functions. When used as a wall panel with LED light, they create a wall-washing lighting effect.



Specs	Polyester internal padding with SNOWSOUND technology, polyester covering in Trevira CS® fabric
	Single material and 100% recyclable
	Eco friendly – Greenguard Gold
	Durable, tackable double-sided surface
	Patented variable density composition
	Class A sound absorption with NRC 1.0 (ISO 354/ASTM C423/ISO 11654)
	Absorbs 94% of human speech frequencies
	Class A fire and smoke safety (UL 723/ASTM E84)
	CAL 133, 117 pass
	Sleek profile at only 1.4” thick
	CE certified for ceiling grids
	Weight 0.7 lbs/S.F.
Design	Bartoli Design

INTEGRAL WALL FLAT - COMPLETE KIT

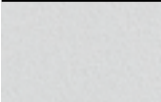
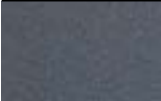


Call your representative for stock levels and availability



Kit includes

01 Wall mount bracket

01 Integral Panel

	Color	Part No	Part No
	White	7IB80W-0001	7IB120W-0001
	Charcoal Gray	7IB80W-8007	7IB120W-8007
	Teal	7IB80W-6075	7IB120W-6075
	Black	7IB80W-8033	7IB120W-8033
		Special Order Color MOQ: 50	Special Order Color MOQ: 20



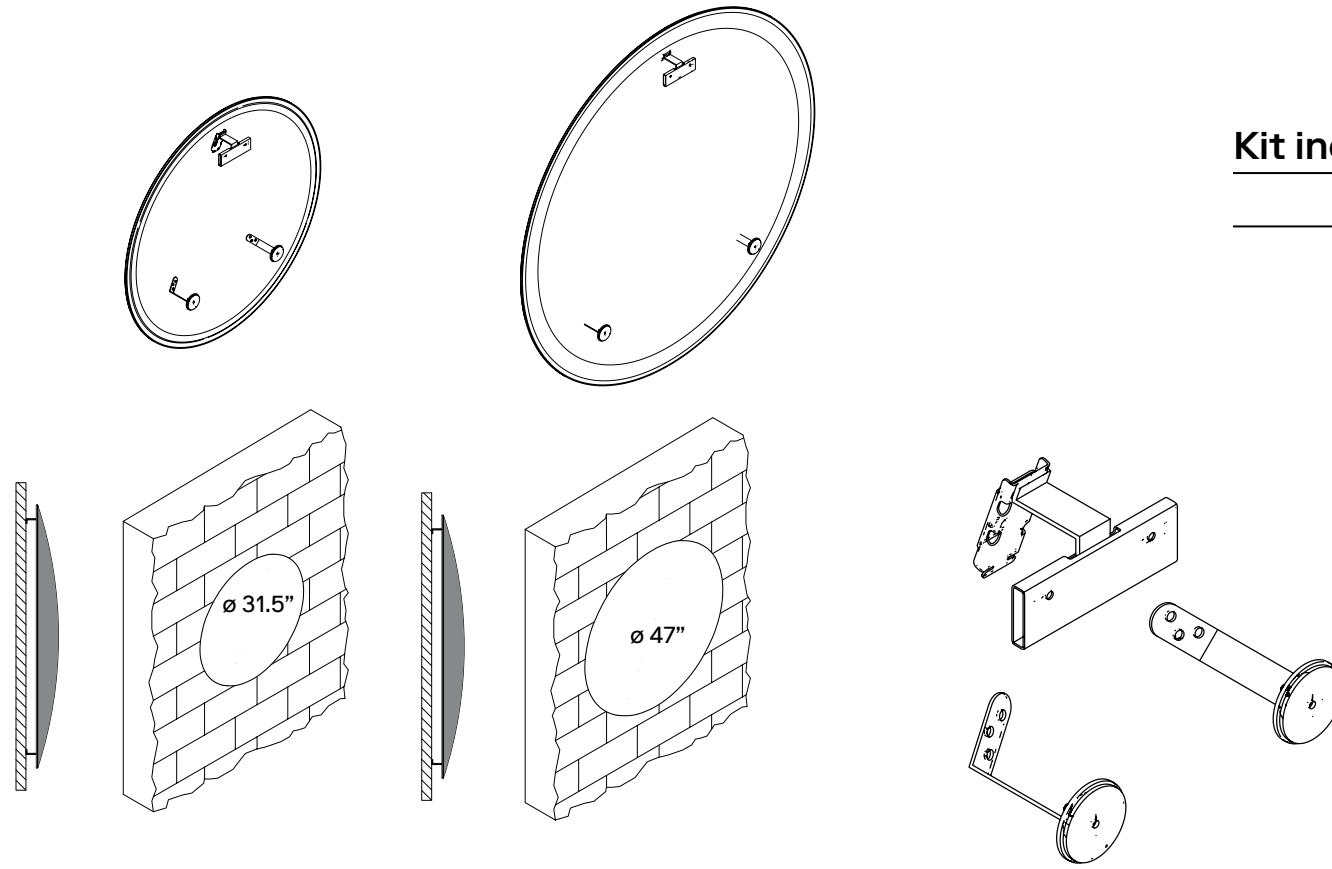
For larger swatches & full color options, please refer to pages 32-34.

Panels available in special order colors. Special order colors require:

- MOQ varies from size to size
- Lead time up to 14-16 weeks
- +10% Custom service fee

INTEGRAL WALL 2.5" SPACER - COMPLETE KIT

Call your representative for stock levels and availability



Kit includes

01 Wall mount bracket

01 Integral Panel

Color	Part No	Part No
White	7IB80WD-0001	7IB120WD-0001
Charcoal	7IB80WD-8007	7IB120WD-8007
Gray		
Teal	7IB80WD-6075	7IB120WD-6075
Black	7IB80WD-8033	7IB120WD-8033

Special Order Color
MOQ: 50

Special Order Color
MOQ: 20



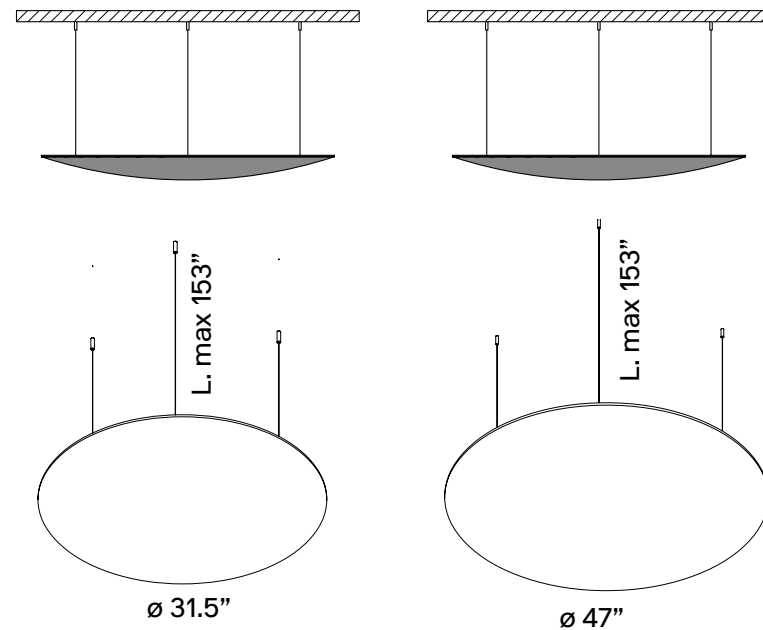
For larger swatches & full color options, please refer to pages 32-34.
Spacer Bracket option allows for light strip purchased separately, provided by others.

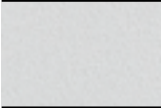



Panels available in special order colors. Special order colors require:

- MOQ varies from size to size
- Lead time up to 14-16 weeks
- +10% Custom service fee

INTEGRAL 3-POINT CEILING COMPLETE KIT

Call your representative for stock levels and availability



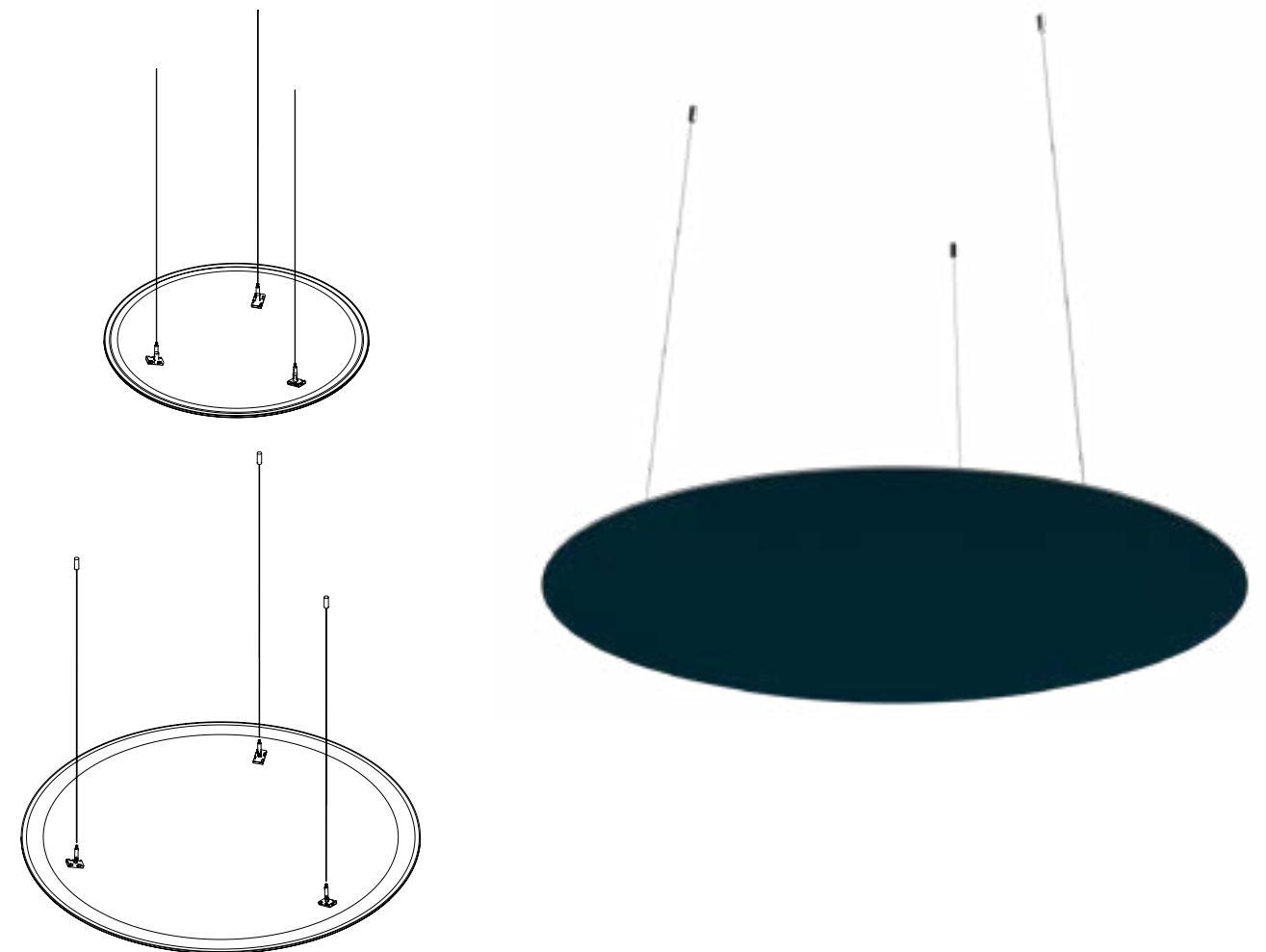
	Color	Part No	Part No
	White	7IB80C-0001	7IB120C-0001
	Charcoal Gray	7IB80C-8007	7IB120C-8007
	Teal	7IB80C-6075	7IB120C-6075
	Black	7IB80C-8033	7IB120C-8033
	Special Order Color	Special Order Color	
	MOQ: 50	MOQ: 20	

For larger swatches & full color options, please refer to pages 32-34.
Suspended option allows for uplight purchased separately, provided by others.

Kit includes

01 Wall mount bracket

01 Integral Panel

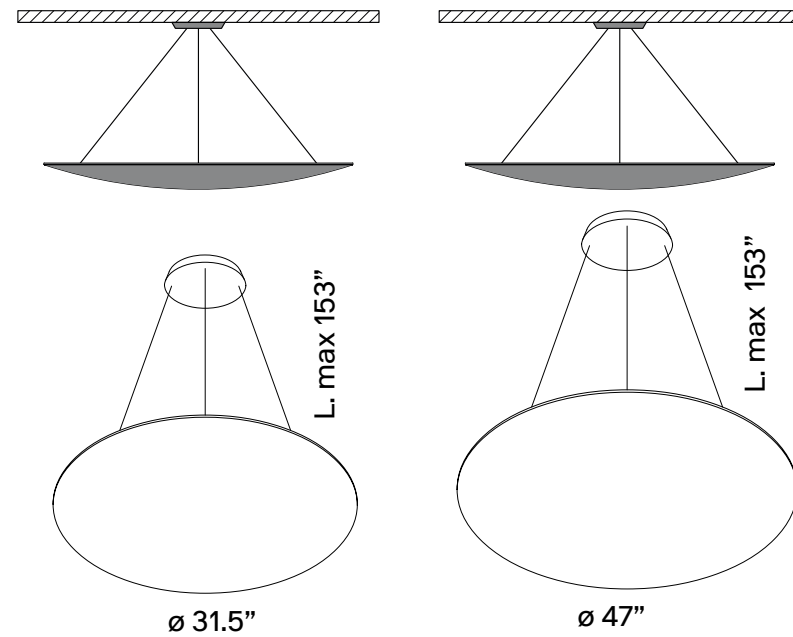


Panels available in special order colors. Special order colors require:

- MOQ varies from size to size
- Lead time up to 14-16 weeks
- +10% Custom service fee

INTEGRAL CENTER POINT CEILING COMPLETE KIT

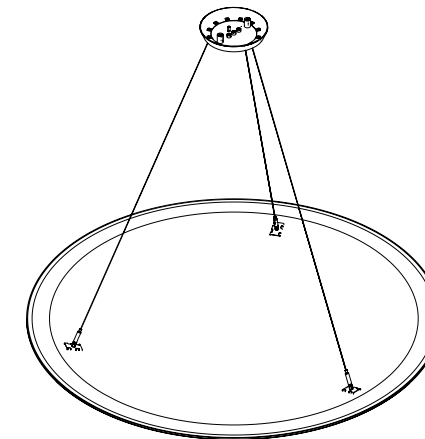
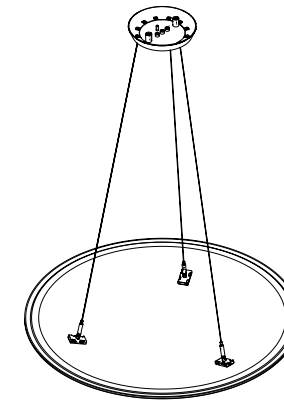
Call your representative for stock levels and availability

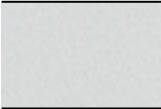






Kit includes

01 Wall mount bracket

01 Integral Panel



	Color	Part No	Part No
	White	7IB80CLR-0001	7IB120CLR-0001
	Charcoal	7IB80CLR-8007	7IB120CLR-8007
	Gray		
	Teal	7IB80CLR-6075	7IB120CLR-6075
	Black	7IB80CLR-8033	7IB120CLR-8033
		Special Order Color MOQ: 50	Special Order Color MOQ: 20

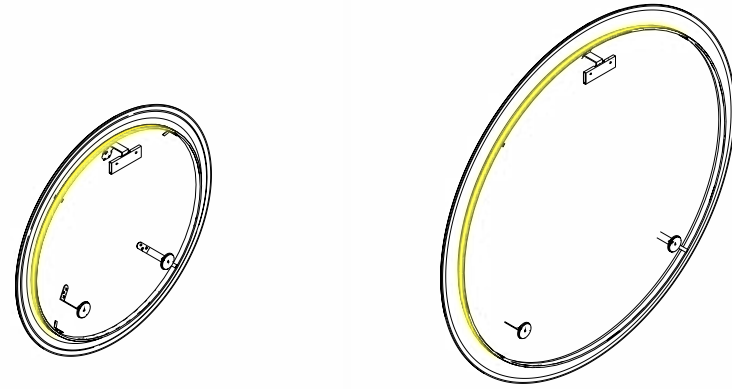
For larger swatches & full color options, please refer to pages 32–34.

Panels available in special order colors. Special order colors require:

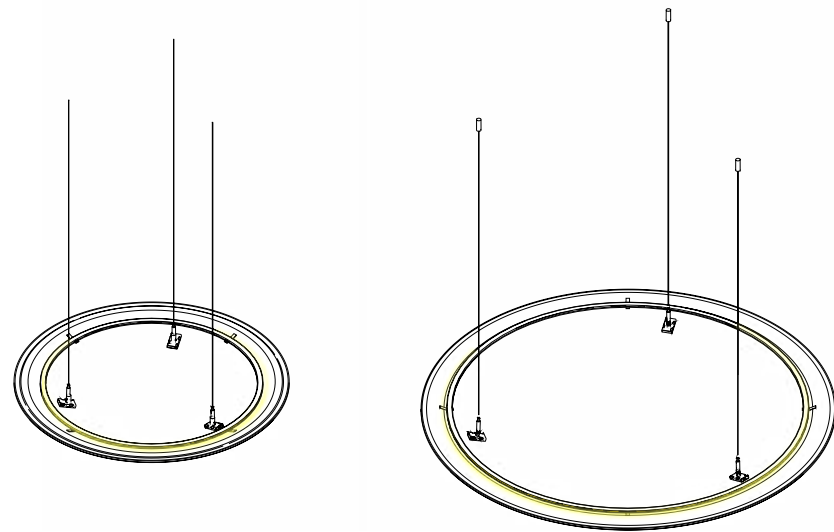
- MOQ varies from size to size
- Lead time up to 14–16 weeks
- +10% Custom service fee

INTEGRAL LED LIGHT OPTIONAL HARDWARE

Call your representative for stock levels and availability



Size	Part No
For 31.5" \varnothing Wall 40W LED/3000K	7IBL80W
For 47" \varnothing Wall 64W LED/3000K	7IBL120W



Size	Part No
For 31.5" \varnothing Ceiling 38W LED/3000K	7IBL80C
For 47" \varnothing Ceiling 62W LED/3000K	7IBL120C

LED kits includes LED frame and transformer to be connected to existing electrical system. LED frame and transformer to be installed directly to back of panel. Wall hardware and panel not included, see pages 134-137 for panel and hardware.

SNOWSOUND



MIA



MIA

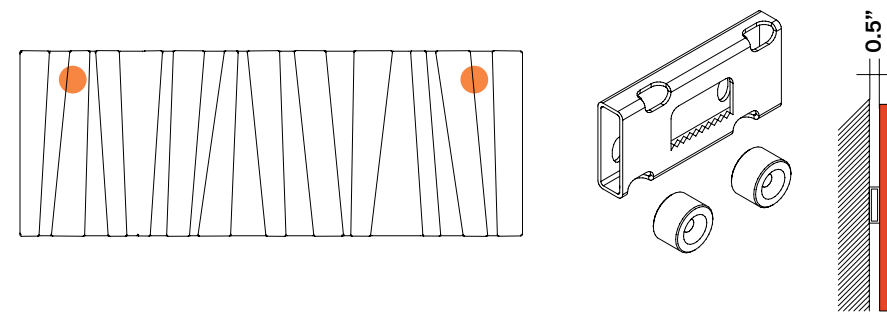
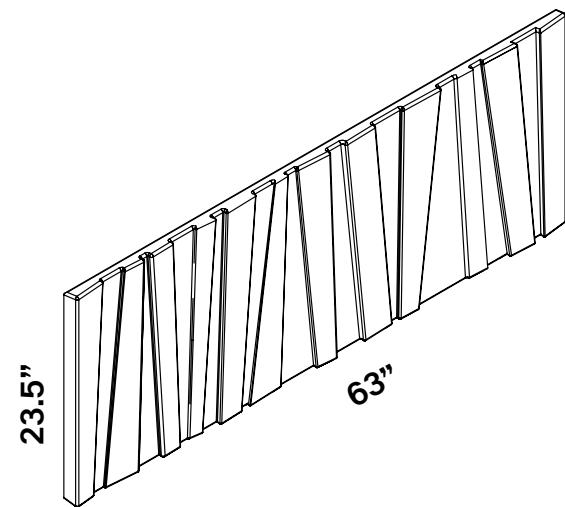


MIA is a sound-absorbing panel featuring a unique, handcrafted random draping of the fabric. It consists of an internal core with Snowcustom technology and an external covering in Snowsound Fiber Textile 3 melange acoustic fabric. MIA panels are fixed to the wall using either magnetic one-piece brackets or simple two-piece brackets.

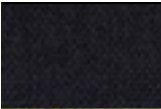

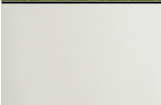
Specs	Single material and 100% recyclable
	Eco friendly – Greenguard Gold
	Class A sound absorption with (ISO 354)
	Easy to clean and sanitize. Meets CDC Guidelines.
	Class A fire and smoke safety (UL 723/ASTM E84)
	CAL 133, 117 pass
	Wall mounted
Design	Marta Martino

MIA 23.5" X 63" COMPLETE KIT FIBER 3

Call your representative for stock levels and availability.



Snowfix Smart panels hangers

Color	Part No
 302 Anthracite	7MM166-302
 309 Gray Green	7MM166-309
 316 Ivory	7MM166-316

Panel size	Fits All Sizes
QTY	02
Finish	Steel

Screws to fasten bracket to wall not included.

For larger swatches & full color options, Please refer to pages 300-303.
For special request to use other Fiber 3 Melange colors, please contact your local representative for minimum quantities and feasibility.

MINIMAL



MINIMAL

The MINIMAL system enables the subdivision of work surfaces using Snowsound technology panels by simply placing them inside the brackets. The MINIMAL brackets, made of cast metal, are characterized by their small size and essential design. The system is available in both clamp version or for direct fixing to the desktop.



* Fixed to desk

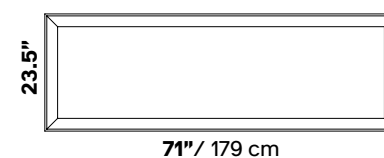
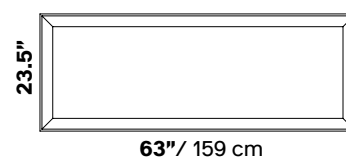
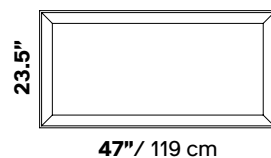
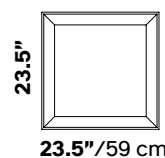
* Clamped to desk



Specs	Polyester internal padding with SNOWSOUND technology, polyester covering in Trevira CS® fabric
	Single material and 100% recyclable
	Eco friendly – Greenguard Gold
	Durable, tackable double-sided surface
	Patented variable density composition
	Class A sound absorption with NRC 1.0 (ISO 354/ASTM C423/ISO 11654)
	Absorbs 94% of human speech frequencies
	Class A fire and smoke safety (UL 723/ASTM E84)
	CAL 133, 117 pass
	Sleek profile at only 1.4” thick
	Desk mounted
Design	Snowsound Lab

MINIMAL PANELS

Call your representative for stock levels and availability



	Color	Part No	Part No	Part No	Part No
	White	40025140	40025649	40025002	
	Silver	40025141	40025650	40025001	40025661
	Gray				
	Charcoal	40025142	40025651	40025003	40025723
	Gray				
	Slate	40025296	40025659	40025295	40025663
	Blue				
	Beige	40025207**	40025652**	40020055**	
	Dove	40025208**	40025653**	40025004**	
	Gray				
	Sun	40025209**	40025654**	40020056**	
	Yellow				
	Carrot	40025211**	40025655**	40025006**	
	Orange				
	Red	40025210**	40025656**	40020057**	

** Extended lead time

Extended lead time colors require: up to 10–12 weeks

Quick Ship items only show item number without additional notation

For larger swatches & full color options, please refer to pages 32–34.

Panels available in special order colors. Special order colors require:

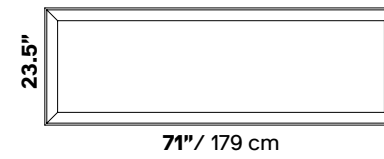
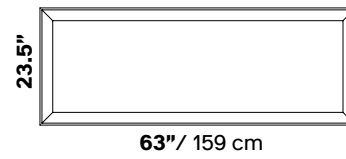
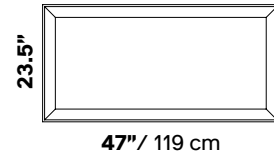
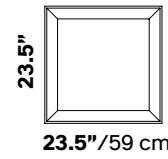
– MOQ varies from size to size






– Lead time up to 14–16 weeks

– +10% Custom service fee

MINIMAL PANELS

Call your representative for stock levels and availability



	Color	Part No	Part No	Part No	Part No
	Rustic Brick	40025288**	40025658**	40025287**	
	Olive Green	40025213**	40025657**	40020058**	
	Dark Teal	40025304**	40025660**	40025303**	
	Blue			40025005**	
	Cool White		40025679**	40025664**	
		Special Order Color MOQ: 70	Special Order Color MOQ: 50	Special Order Color MOQ: 50	Special Order Color MOQ: 30

** Extended lead time

Extended lead time colors require: up to 10–12 weeks

Quick Ship items only show item number without additional notation

For larger swatches & full color options, please refer to pages 32–34.

Panels available in special order colors. Special order colors require:

– MOQ varies from size to size

– Lead time up to 14–16 weeks

– +10% Custom service fee

MINIMAL BRACKETS

DIRECT MOUNT BRACKETS - PAIR

Mount bracket connections are fixed to the desktop with screws and the panel is inserted inside the brackets (screws not included).



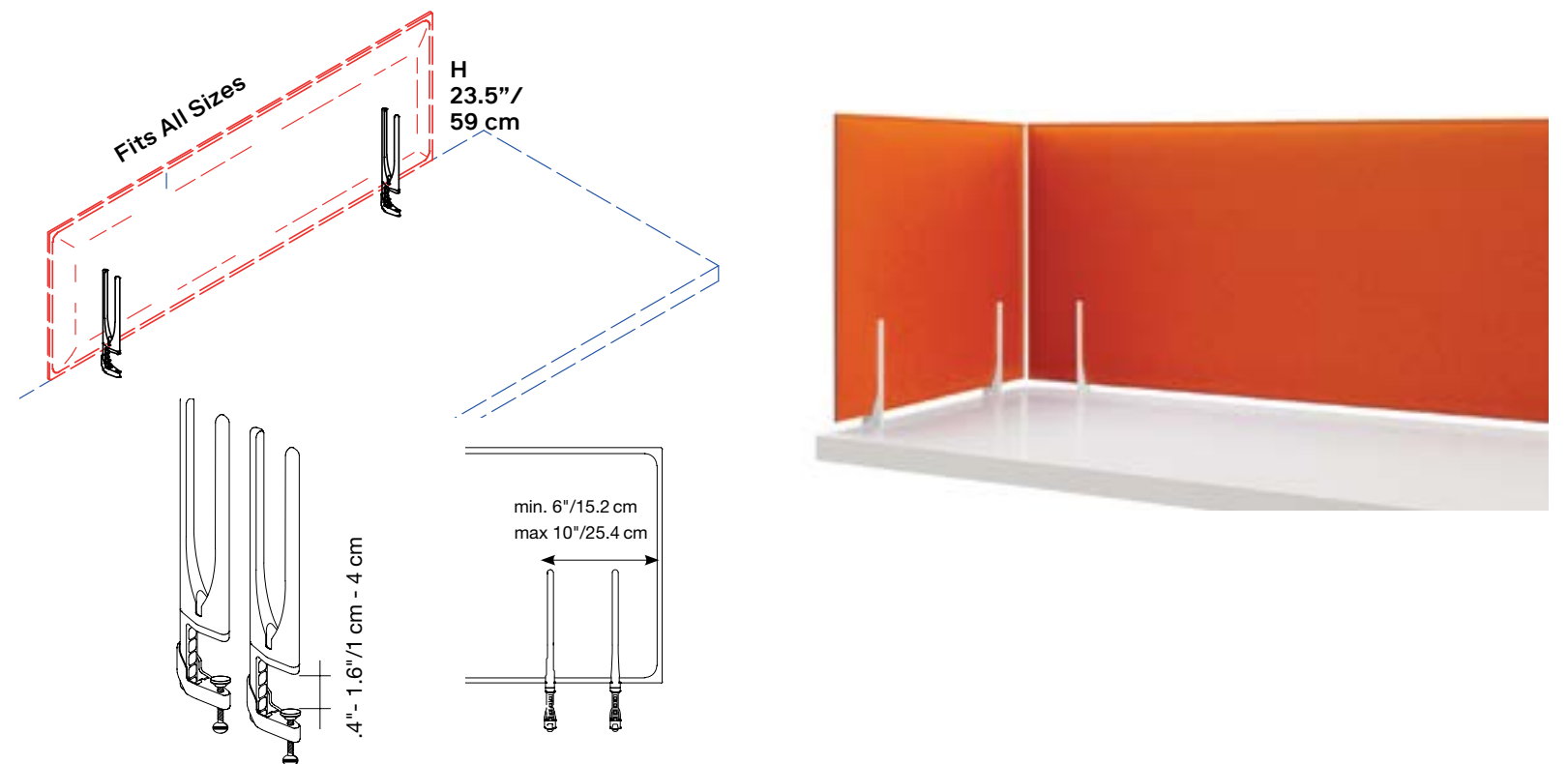
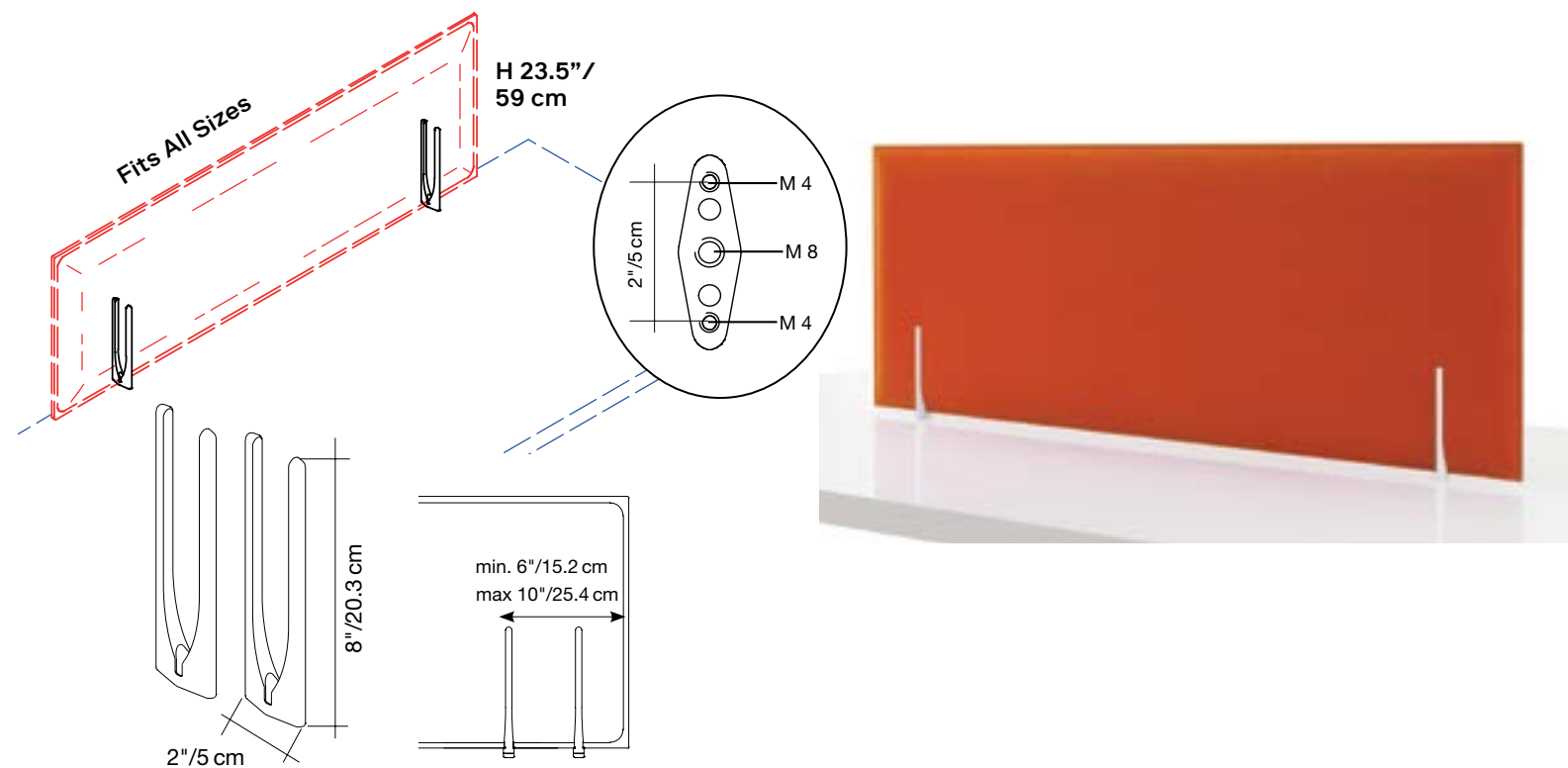
Panel Size	Fits all sizes	Fits all sizes	Fits all sizes
Part No	40038001	40038005	40038007
QTY	01 Pair	01 Pair	01 Pair
Finish	Silver Gray	Matte White	Matte Black

CLAMP BRACKETS - PAIR

Bracket connections are clamped to the desk and the panel is inserted inside the brackets.



Panel Size	Fits all sizes	Fits all sizes	Fits all sizes
Part No	40038008	40038009	40038010
QTY	01 Pair	01 Pair	01 Pair
Finish	Silver Gray	Matte White	Matte Black



MINIMAL BRACKETS

DESKTOP STAND BRACKETS - PAIR

Pair of brackets with base in powder coated steel.



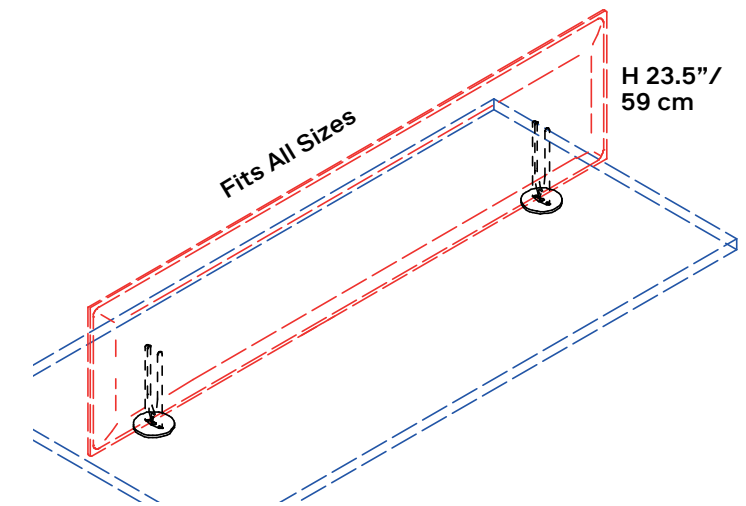
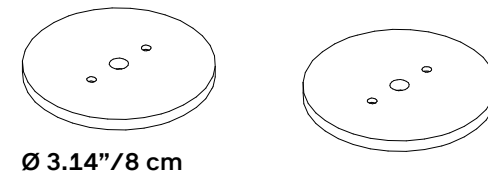
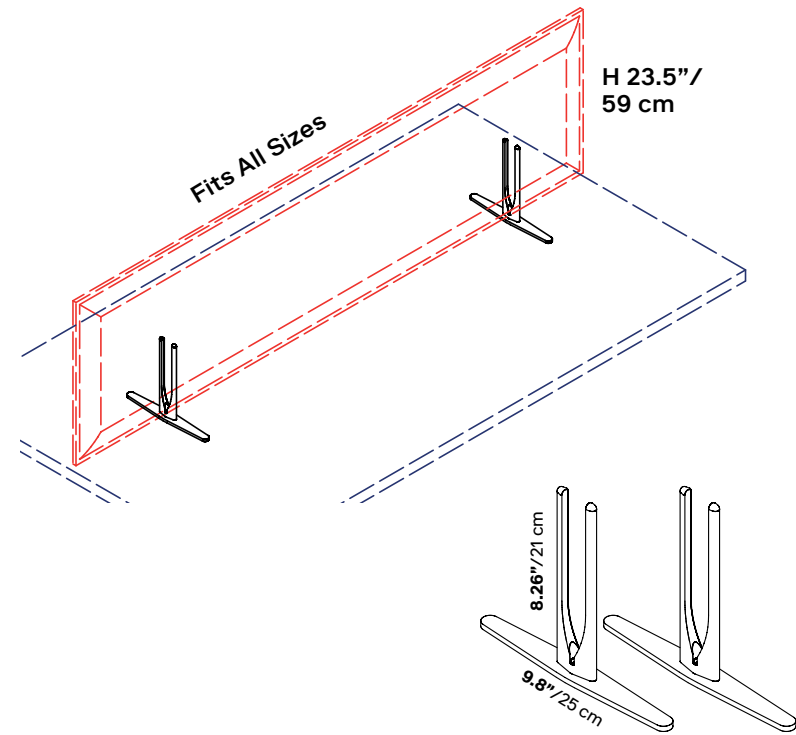
Panel Size	Fits all sizes	Fits all sizes	Fits all sizes
Part No	40025847	40025848	40025853
QTY	01 Pair	01 Pair	01 Pair
Finish	Silver Gray	Matte White	Matte Black

DESK CIRCULAR BRACKETS - PAIR

Pair of powder coated steel bases fixed to desktop with MINIMAL fixed brackets 40038001, 40038005, 40038007.



Panel Size	Fits all sizes
Part No	40038006
QTY	01 Pair
Finish	Silver Gray



*Available on special order basis – made to order. Pricing TBD based on quantity.

MITESCO



MITESCO

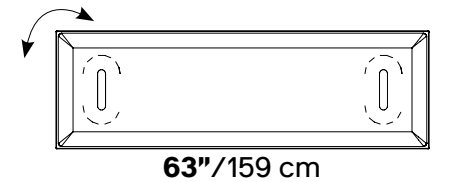
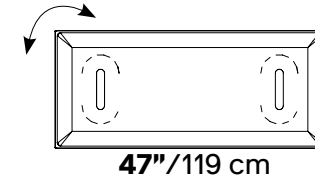
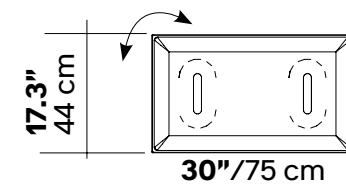
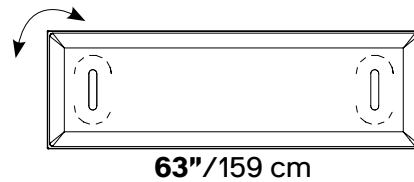
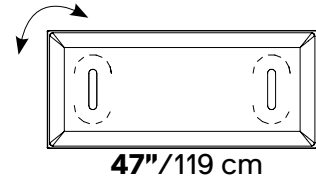
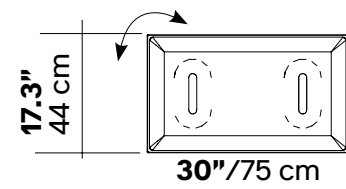


The MITESCO panel features polyester internal padding with Snowsound® Technology variable density and is covered in Trevira CS® fabric. It can be directly fixed to the wall using screws (not included) or applied in various other ways using the range of mounting hardware options (see pages 53 to 59).

Specs	Polyester internal padding with Snowsound technology, polyester covering in Trevira CS® fabric
	Single material and 100% recyclable
	Eco friendly – Greenguard Gold
	Durable, tackable double-sided surface
	Patented variable density composition
	Class A sound absorption with NRC 1.0 (ISO 354/ASTM C423/ISO 11654)
	Absorbs 94% of human speech frequencies
	Class A fire and smoke safety (UL 723/ASTM E84)
	CAL 133, 117 pass
	leek profile at only 1.4” thick
	Ceiling suspended
	Ceiling mounted/Wall mounted/Freestanding
Design	Michele De Lucchi

MITESCO PANELS

Call your representative for stock levels and availability



	Color	Part No	Part No	Part No
	White	40020027	40020018	40020007
	Silver	40020028	40020019	40020008
	Gray			
	Charcoal	40020046	40020040	40020039
	Gray			
	Beige	40020029**	40020020	40020009
	Dove	40020045**	40020043**	40020038
	Gray			
	Sun	40020030**	40020021**	40020010
	Yellow			
	Carrot	40020031**	40020022**	40020011
	Orange			
	Red	40020032**	40020023	40020012
	Olive	40020044**	40020042**	40020041
	Green			

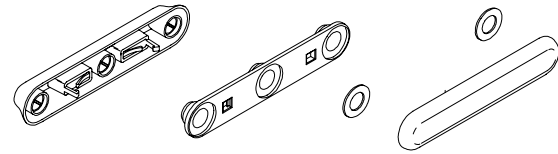
	Color	Part No	Part No	Part No
	Apple	40020033**	40020024**	40020013
	Green			
	Blue	40020034**	40020025**	40020014
	Black	40020035**	40020026**	40020015
		Special Order Color	Special Order Color	Special Order Color
		MOQ: 70	MOQ: 60	MOQ: 50











** Extended lead time
 Extended lead time colors require: up to 10–12 weeks
 For larger swatches & full color options, please refer to pages 32–34.

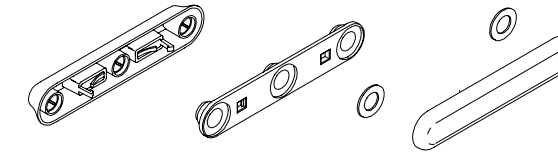
Panels available in special order colors. Special order colors require:
 – MOQ varies from size to size
 – Lead time up to 14–16 weeks
 – +10% Custom service fee




PANEL CONNECTION BRACKETS AND CAPS

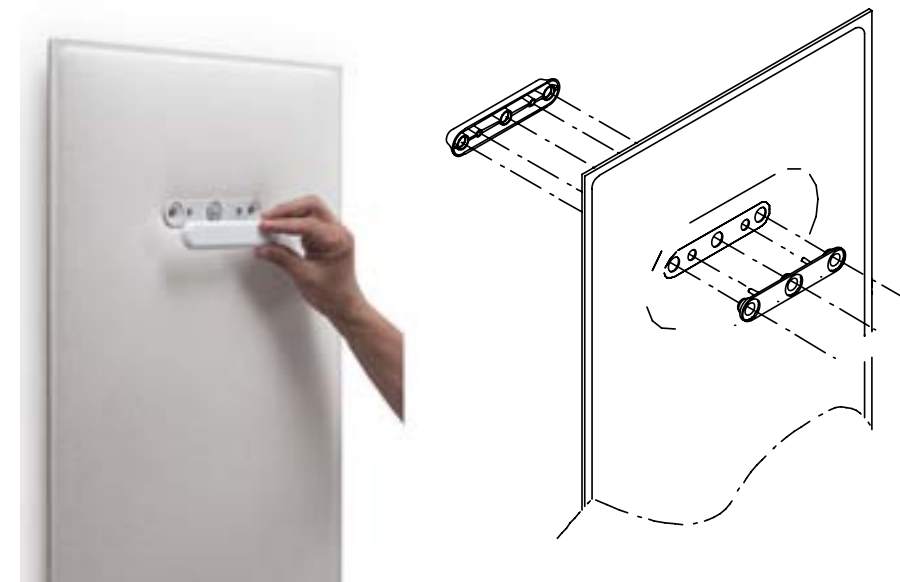
Call your representative for stock levels and availability



	Color	Part No
	White	40021151
	Silver	40047033
	Gray	
	Charcoal	40047027
	Beige	40047021
	Dove Gray	40047028
	Sun Yellow	40047034
	Carrot Orange	40047031
	Red	40047032
	Olive Green	40021107



	Color	Part No
	Apple Green	40047029
	Blue	40047025
	Black	40047024
	Special Order Color	MOQ: 70



Set of connection brackets and front caps to be used when mounting MITESCO panels. Complete kit, qty (1) per panel specified. (Screws not included).

Connection brackets to be used for all MITESCO panels. *Not needed for MITESCO desk options.

MITESCO WALL / CEILING

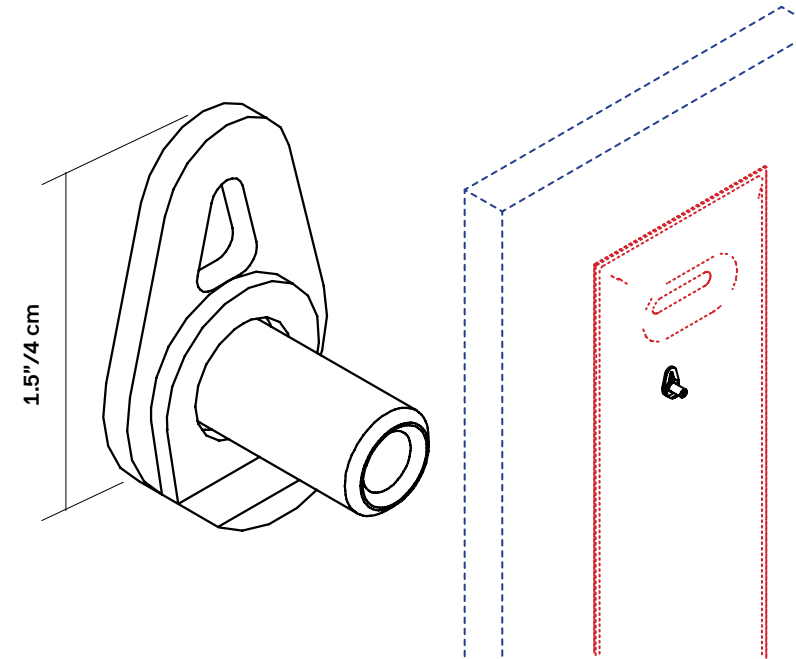
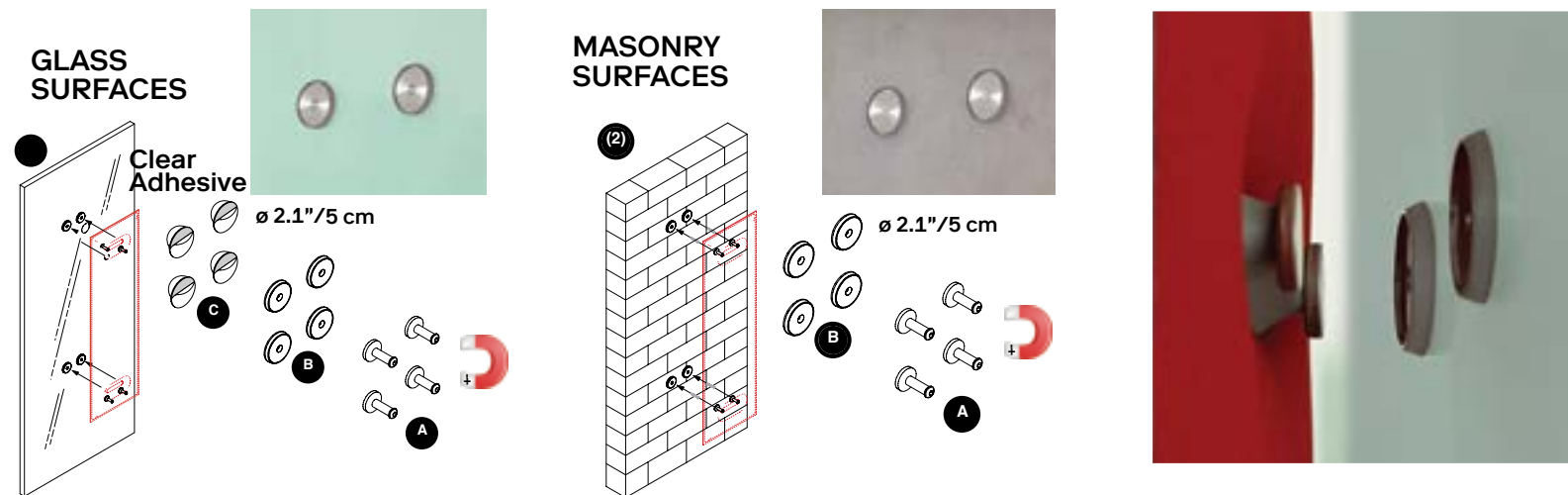
MAGNETIC WALL FIXING KIT - HARDWARE ONLY

Panel Size	Fits all 3 sizes
Part No	40021049
QTY	01 Set
Finish	Silver Gray

Kit Includes	04 Magnets
	04 Steel polished steel plates
	04 double-sided clear adhesive tape discs

WALL HANGING - OPTIONAL

Panel Size	Fits all 3 sizes
Part No	40021029
QTY	01
Finish	Silver Gray



Please specify panel connection brackets and caps separately on page 157.

* For ultimate bond allow 24 hours for adhesive tape to cure before attaching panels to glass mounted plates.

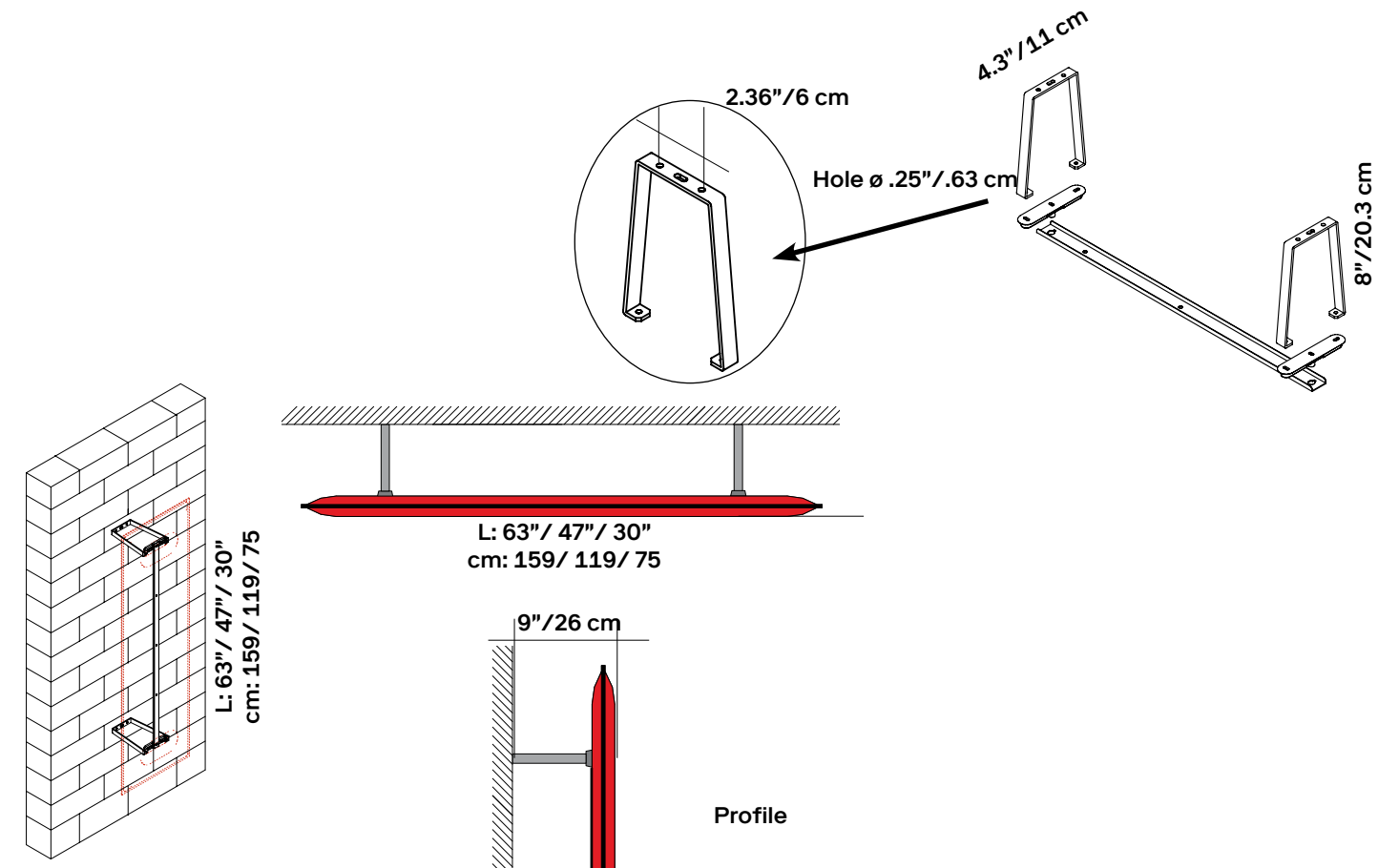
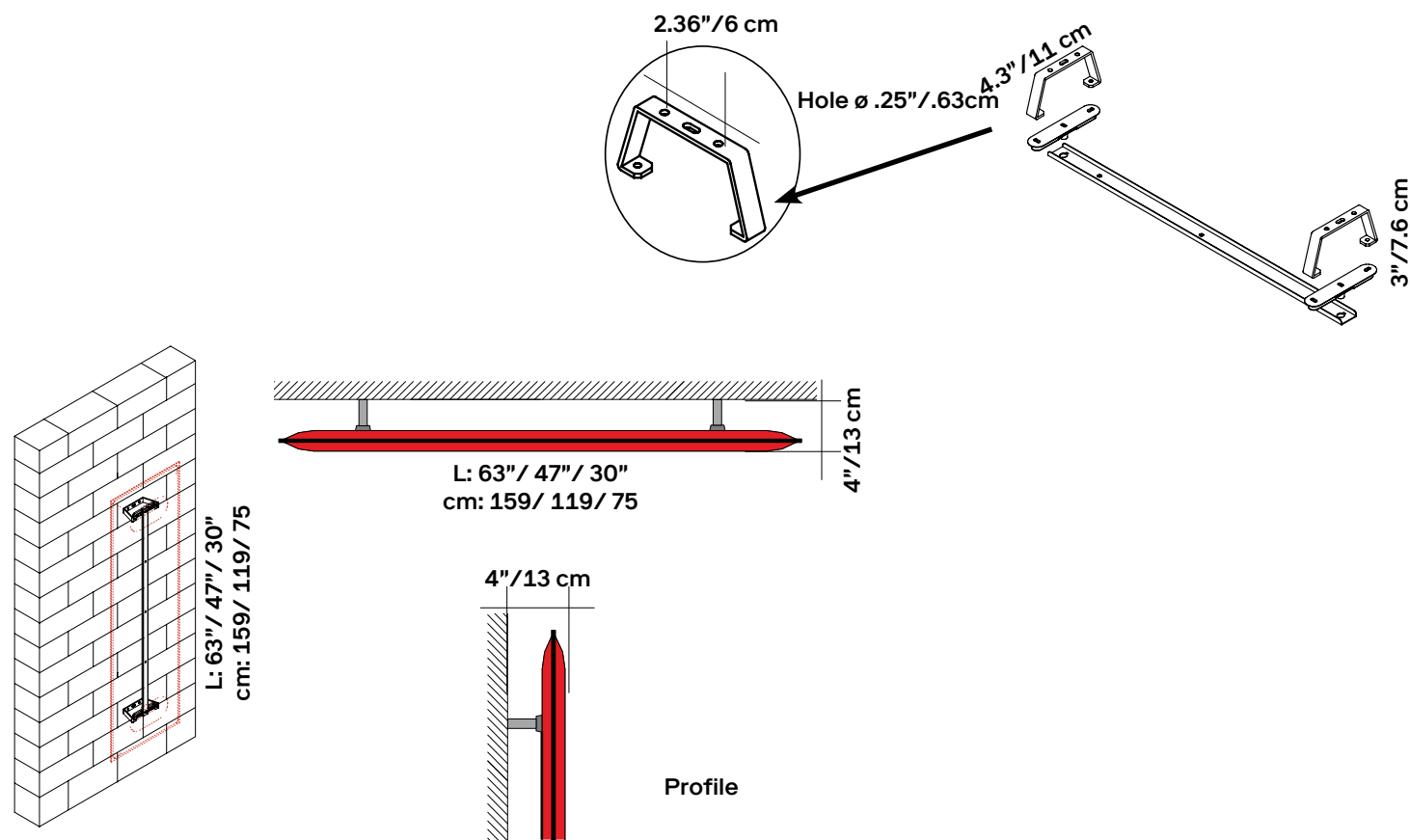
MITESCO WALL / CEILING

3" WALL/CEILING SPACER KIT - HARDWARE ONLY

Panel Size	63"/159cm	47"/119cm	30"/75cm
Part No	40021033	40021032	40021031
QTY	01	01	01
Finish	Silver Gray	Silver Gray	Silver Gray

8" WALL/CEILING SPACER KIT - HARDWARE ONLY

Panel Size	63"/159cm	47"/119cm	30"/75cm
Part No	40021036	40021035	40021034
QTY	01	01	01
Finish	Silver Gray	Silver Gray	Silver Gray

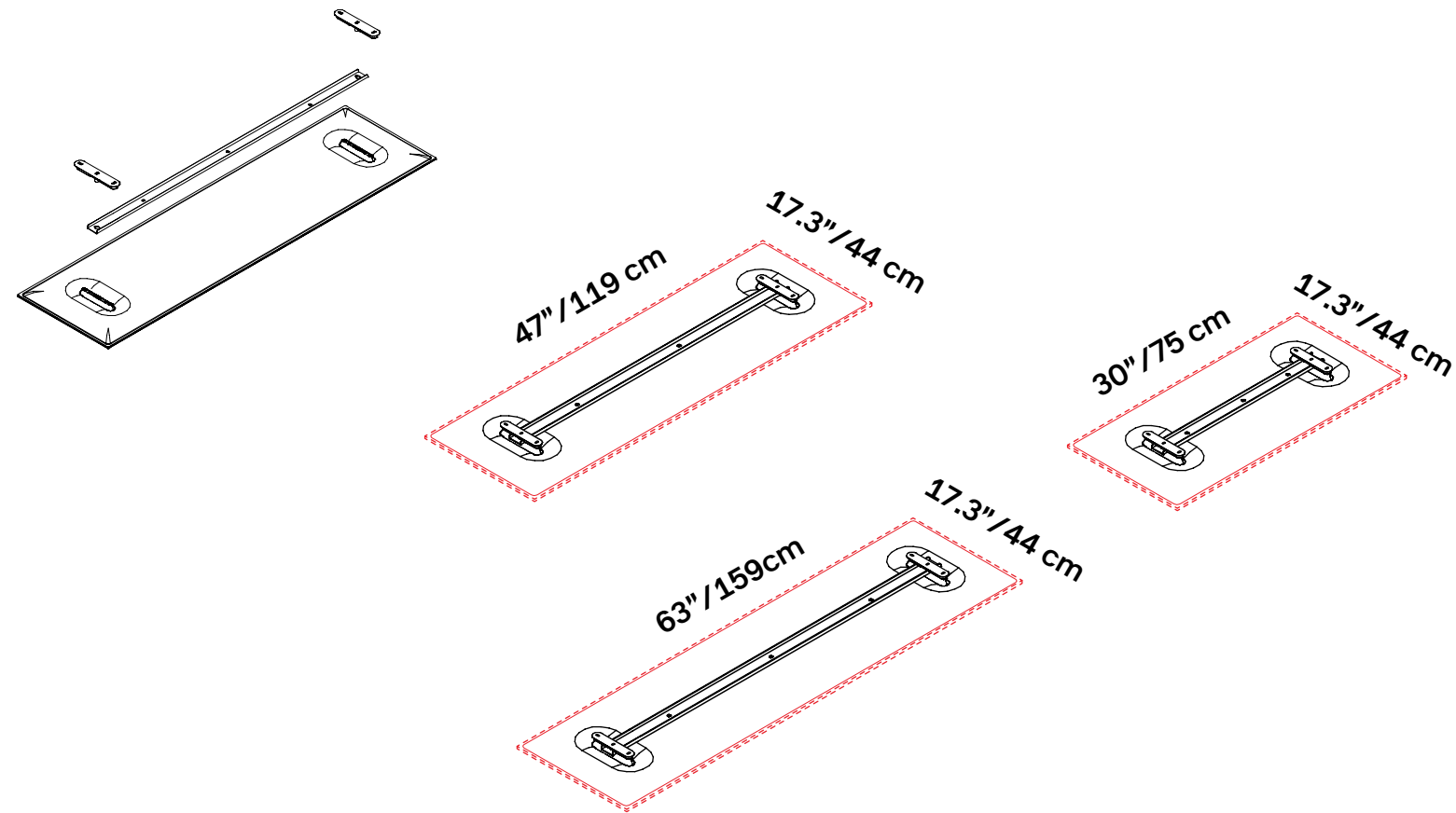


Please specify panel connection brackets and caps separately on page 157.

MITESCO WALL / CEILING

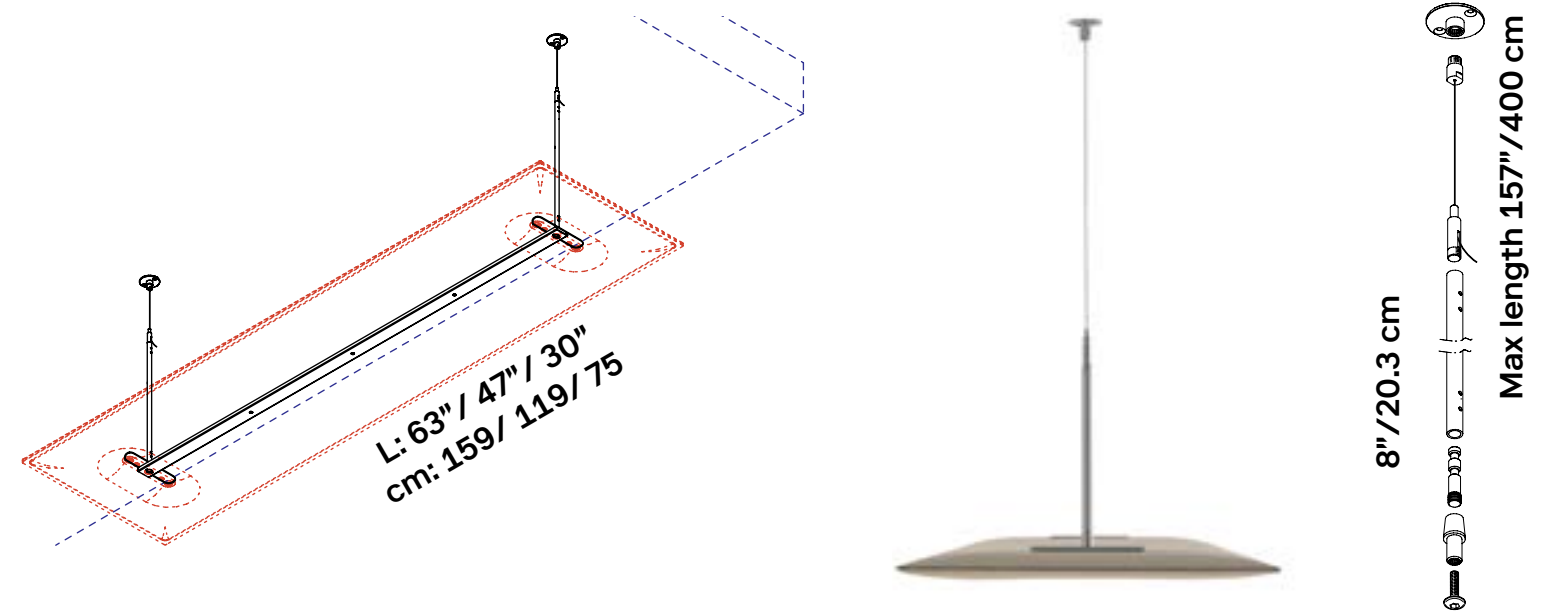
FLAT CEILING SUPPORT SPINE - HARDWARE ONLY

Panel Size	63"/159cm	47"/119cm	30"/75cm
Part No	40021123	40021124	40021125
QTY	01	01	01
Finish	Silver Gray	Silver Gray	Silver Gray



CEILING SUSPENDED KIT - HARDWARE ONLY

Panel Size	63"/159cm	47"/119cm	30"/75cm
Part No	40021116	40021117	40021118
QTY	01	01	01
Finish	Silver Gray	Silver Gray	Silver Gray
Weight	10.8 lbs.	7.7 lbs	3.9 lbs.

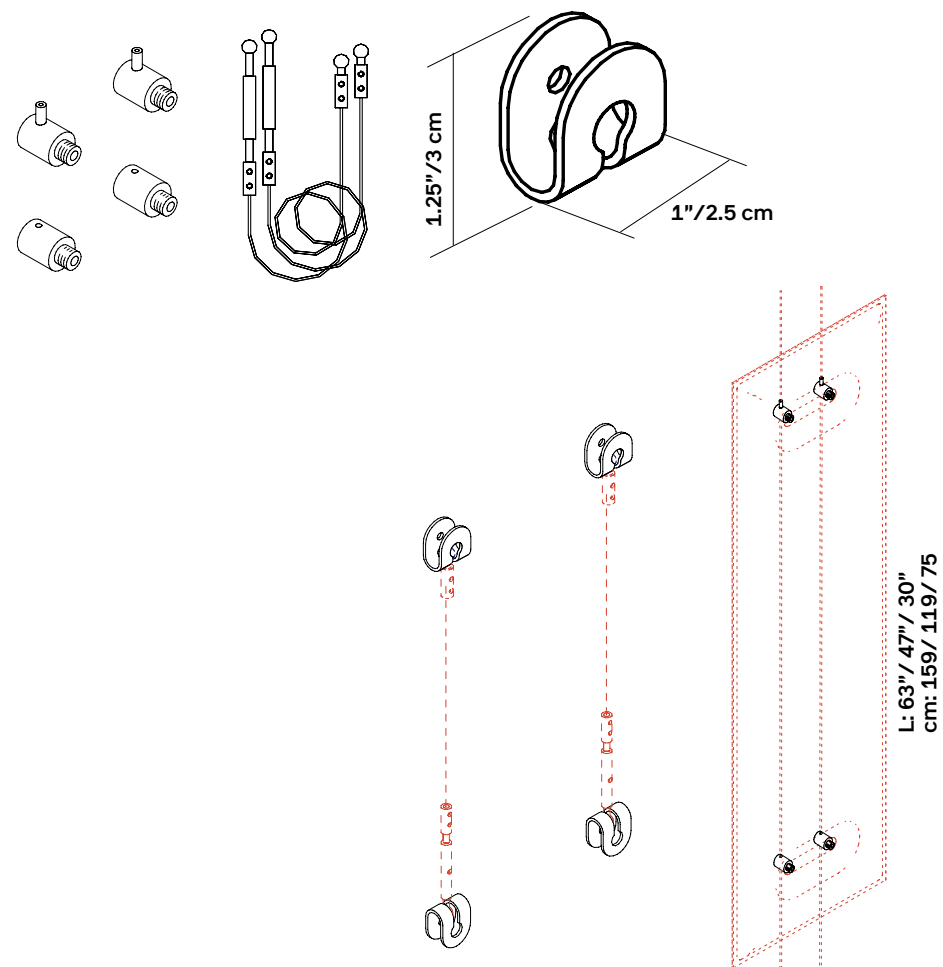


Please specify panel connection brackets and caps separately on page 157.

MITESCO ON CABLES

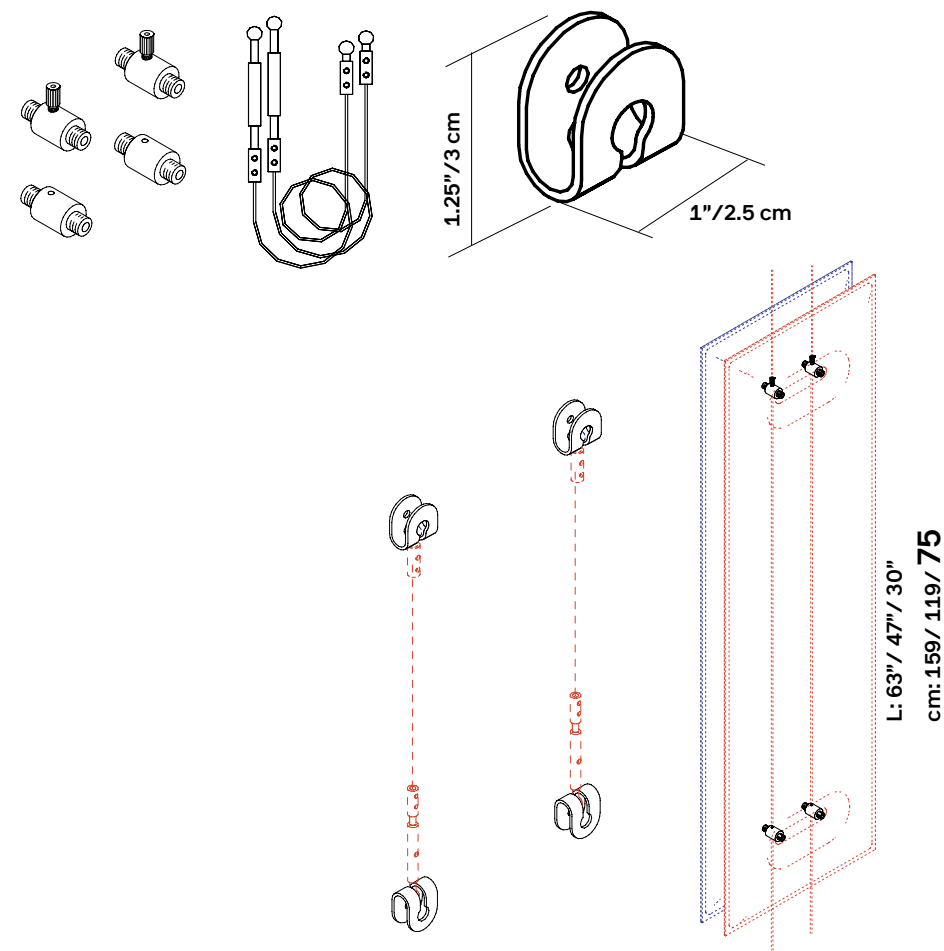
ON CABLES - SINGLE SIDE WALL MOUNTED KIT

Panel Size	Fits all 3 sizes	Kit Includes	04 Single sided steel clamps
Part No	40021099		02 Steel cables
QTY	01 Kit		04 Wall fixing
Finish	Silver Gray		
Max Load	22 lbs.		



ON CABLES - DOUBLE SIDE WALL MOUNTED KIT

Panel Size	Fits all 3 sizes	Kit Includes	04 Double sided steel clamps
Part No	40021101		02 Steel cables
QTY	01 Kit		04 Wall fixing
Finish	Silver Gray		
Max Load	22 lbs.		



Please specify panel connection brackets and caps separately on page 157.

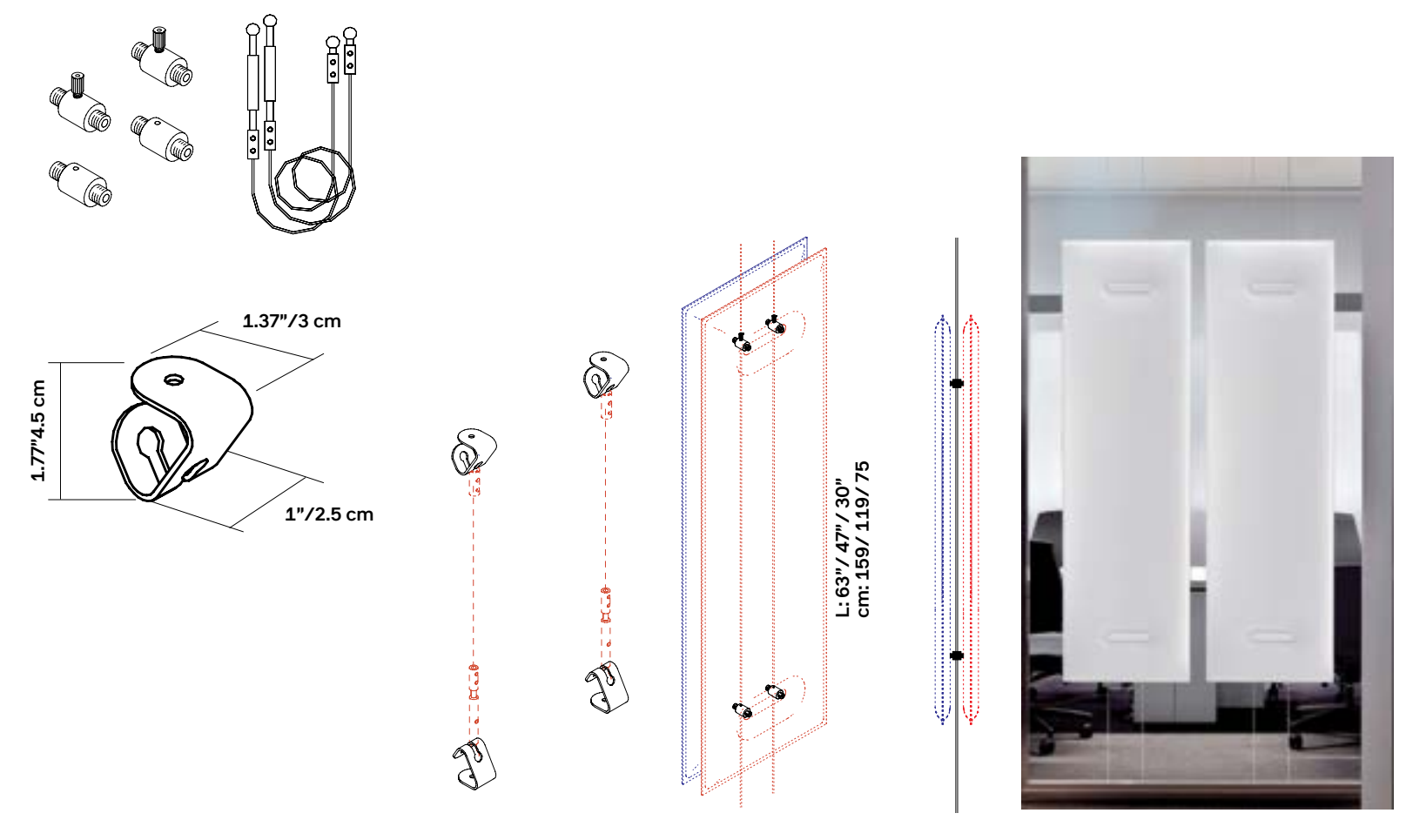
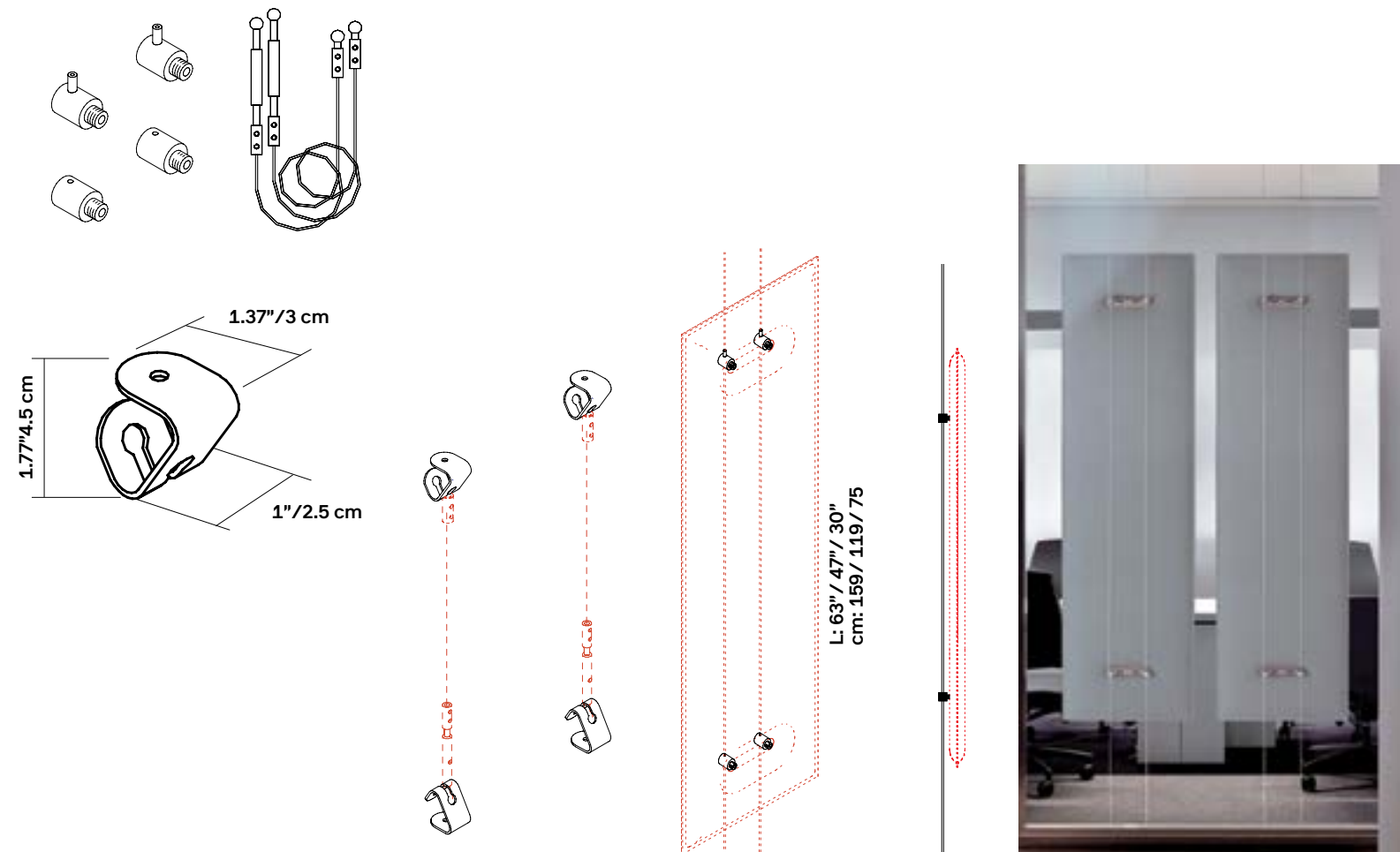
MITESCO ON CABLES

ON CABLES - SINGLE SIDE FLOOR / CEILING KIT

Panel Size	Fits all 3 sizes	Kit Includes	04 Single sided steel clamps
Part No	40021098		02 Steel cables
QTY	01 Kit		04 Floor/ceiling fixing
Finish	Silver Gray		
Max Load	22 lbs.		

ON CABLES - DOUBLE SIDE FLOOR / CEILING KIT

Panel Size	Fits all 3 sizes	Kit Includes	04 Double sided steel clamps
Part No	40021100		02 Steel cables
QTY	01 Kit		04 Floor/ceiling fixing
Finish	Silver Gray		
Max Load	22 lbs.		



Please specify panel connection brackets and caps separately on page 157.

MITESCO TOTEM

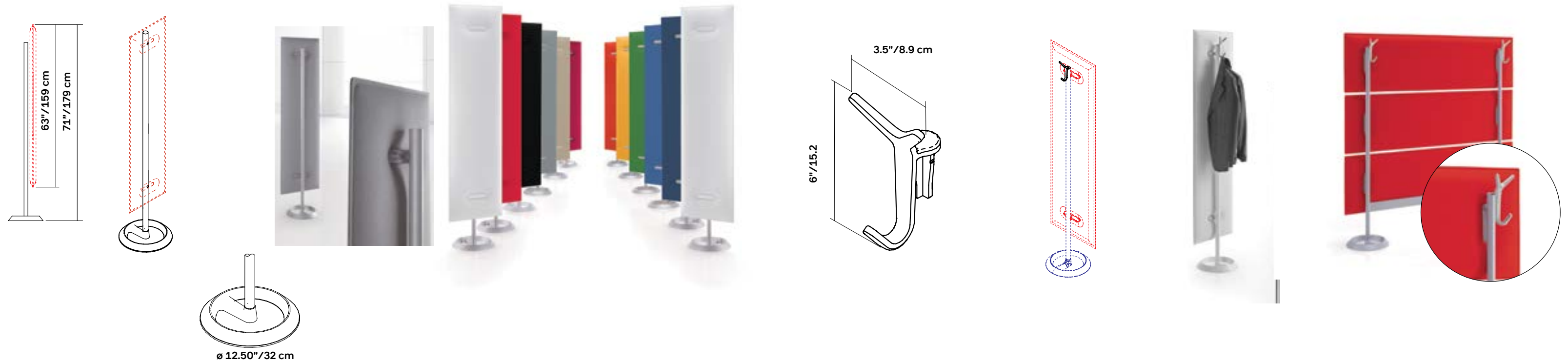
TOTEM HARDWARE - FOR 63" MITESCO PANEL

Panel Size	63"/159cm	Kit Includes	Pole
Part No	40021038		Base
QTY	01 Kit		
Finish	Silver Gray		

COAT HOOK - ACCESSORY

Compatible with TOTEM structure item # 40021038 or any single sided MITESCO divider screen.

Panel Size	Totem/Mitesco Dividers
Part No	40021050
QTY	01 Kit
Finish	Silver Gray



Please specify panel connection brackets and caps separately on page 157.

MITESCO DIVIDER SCREENS

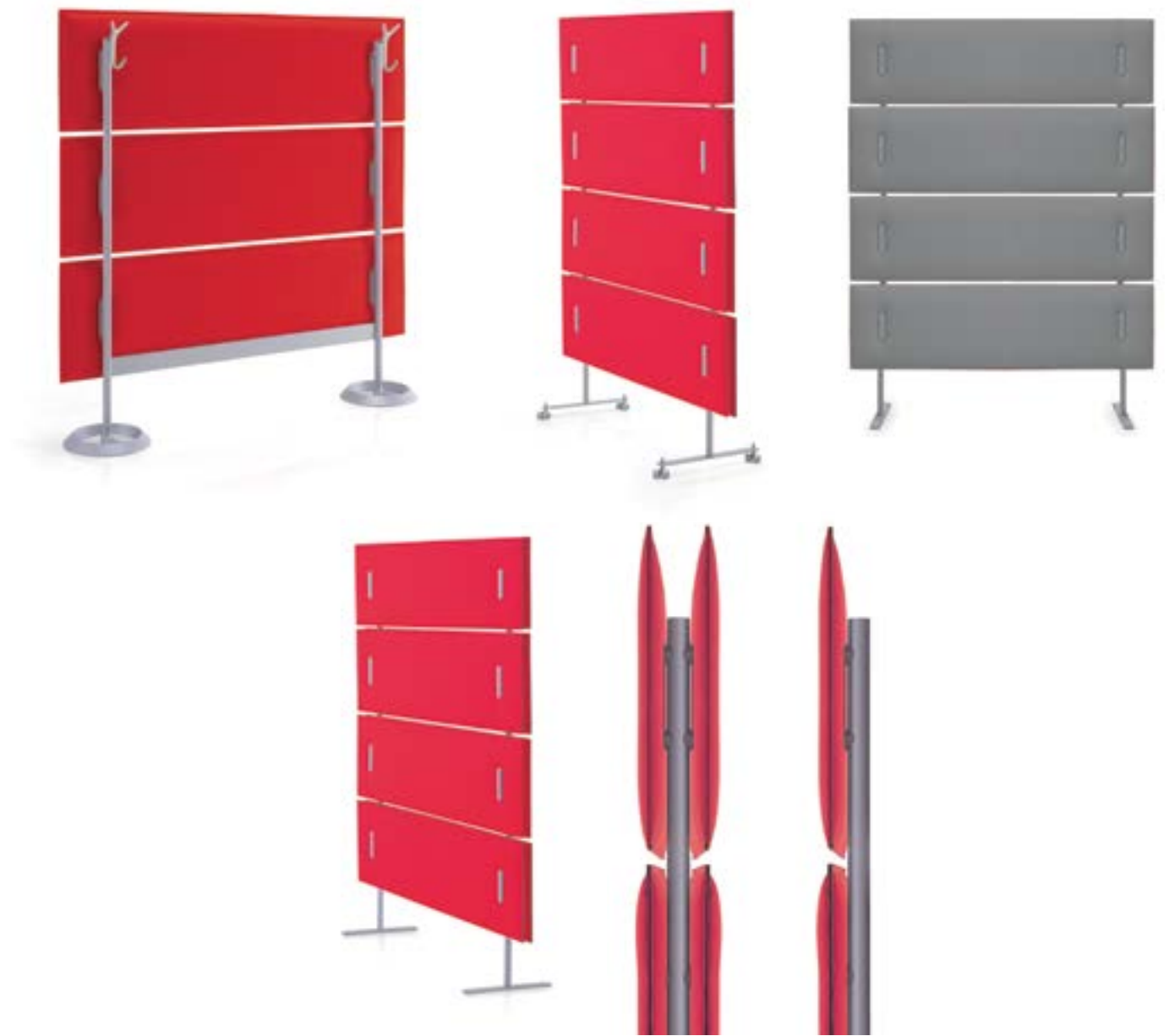
MITESCO DIVIDER SCREENS - 3 TIER

A structure in powder-coated steel with bases in powder-coated cast iron to mount 3 or 6 (3 panels on each side) MITESCO panels.



MITESCO DIVIDER SCREENS - 4 TIER

A structure in powder-coated steel with bases in powder-coated cast iron to mount 4 or 8 (4 panels on each side) MITESCO panels.



MITESCO DIVIDER SCREENS

SINGLE-SIDED FRAME (ROUND BASE)

For 3 MITESCO panels

Includes: poles, beam and bases

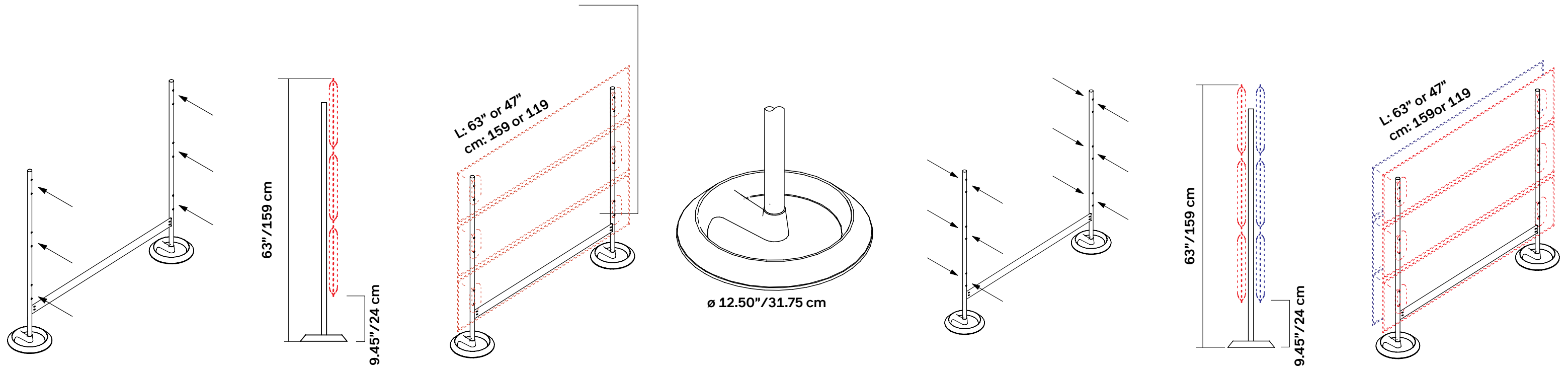
Panel Size	63"/159cm Wide	47"/119cm Wide
Part No	40021104	40021102
QTY	01 Frame	01 Frame
Finish	Silver Gray	Silver Gray

DOUBLE-SIDED FRAME (ROUND BASE)

For 6 MITESCO panels

includes: poles, beam and bases

Panel Size	63"/159cm Wide	47"/119cm Wide
Part No	40021105	40021103
QTY	01 Frame	01 Frame
Finish	Silver Gray	Silver Gray



Please specify panel connection brackets and caps separately on page 157.

MITESCO DIVIDER SCREENS

SINGLE-SIDED FRAME (FREESTANDING)

For 3 MITESCO panels

Includes: poles, beam and bases

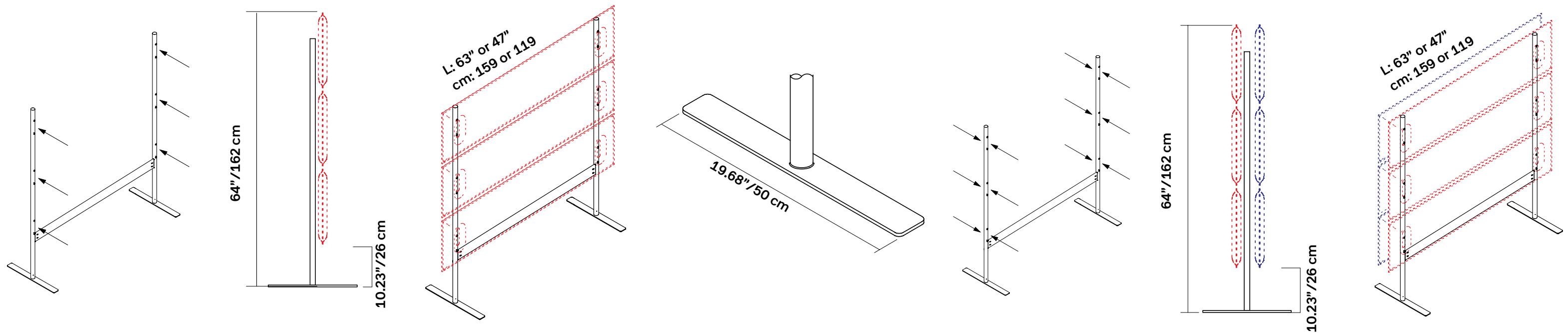
Panel Size	63"/159cm Wide	47"/119cm Wide
Part No	40021042	40021040
QTY	01 Frame	01 Frame
Finish	Silver Gray	Silver Gray

DOUBLE-SIDED FRAME (FREESTANDING)

For 6 MITESCO panels

includes: poles, beam and bases

Panel Size	63"/159cm Wide	47"/119cm Wide
Part No	40021044	40021043
QTY	01 Frame	01 Frame
Finish	Silver Gray	Silver Gray



Please specify panel connection brackets and caps separately on page 157.

MITESCO DIVIDER SCREENS

SINGLE-SIDED FRAME (CASTERS)

For 3 MITESCO panels

Includes: poles, beam and casters

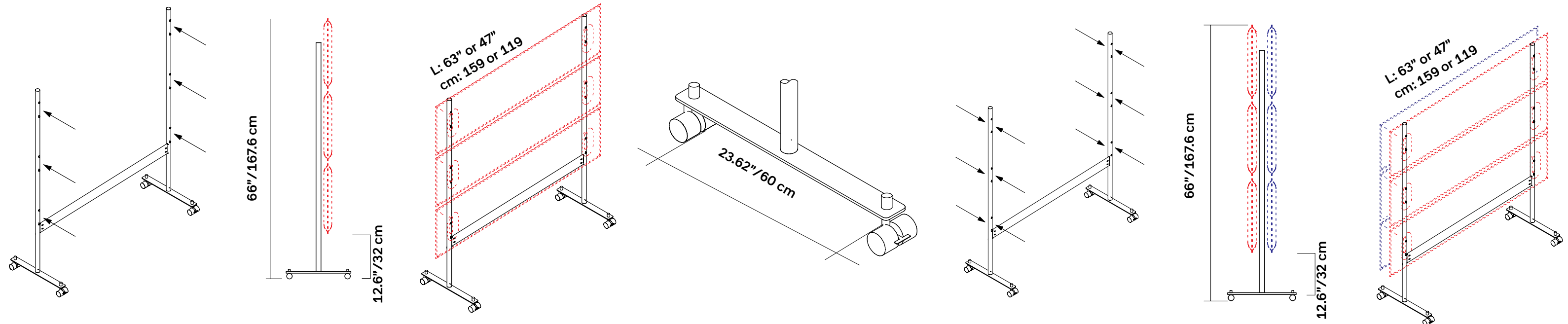
Panel Size	63"/159cm Wide	47"/119cm Wide
Part No	40021046	40021045
QTY	01 Frame	01 Frame
Finish	Silver Gray	Silver Gray

DOUBLE-SIDED FRAME (CASTERS)

For 6 MITESCO panels

includes: poles, beam and casters

Panel Size	63"/159cm Wide	47"/119cm Wide
Part No	40021048	40021047
QTY	01 Frame	01 Frame
Finish	Silver Gray	Silver Gray



Please specify panel connection brackets and caps separately on page 157.

MITESCO DIVIDER SCREENS

SINGLE-SIDED FRAME (FLOOR FIXED)

For 3 MITESCO panels

Includes: poles, beam and bases

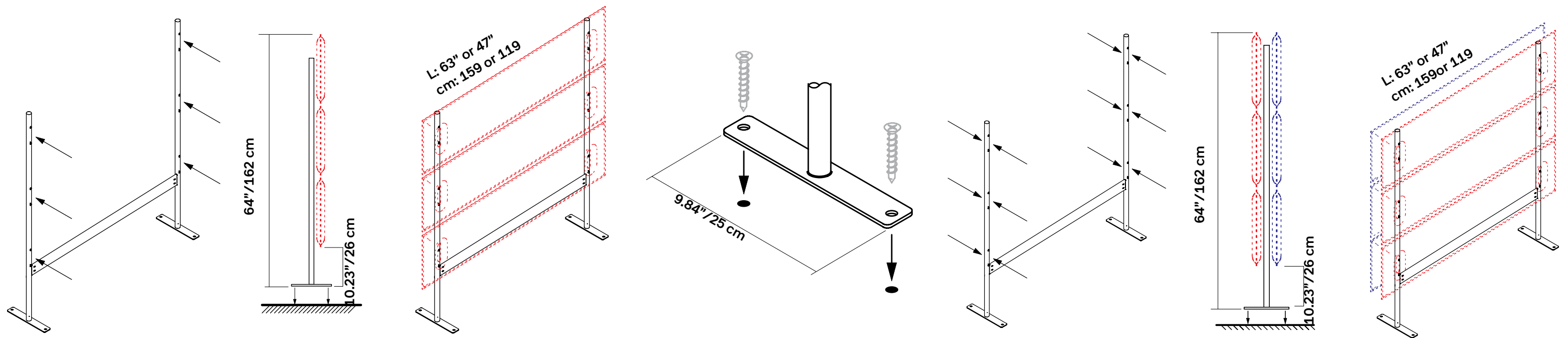
Panel Size	63"/159cm Wide	47"/119cm Wide
Part No	40021041	40021039
QTY	01 Frame	01 Frame
Finish	Silver Gray	Silver Gray

DOUBLE-SIDED FRAME (FLOOR FIXED)

For 6 MITESCO panels

includes: poles, beam and bases

Panel Size	63"/159cm Wide	47"/119cm Wide
Part No	40020082	40020083
QTY	01 Frame	01 Frame
Finish	Silver Gray	Silver Gray



Please specify panel connection brackets and caps separately on page 157.

MITESCO DIVIDER SCREENS

SINGLE-SIDED FRAME (FREESTANDING)

For 4 MITESCO panels

Includes: poles, beam and bases

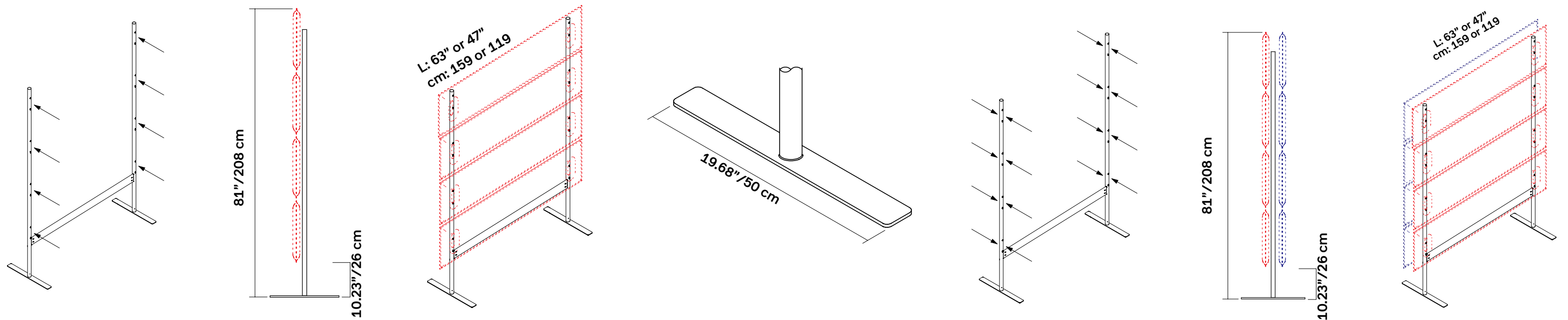
Panel Size	63"/159cm Wide	47"/119cm Wide
Part No	40020084	40020085
QTY	01 Frame	01 Frame
Finish	Silver Gray	Silver Gray

DOUBLE-SIDED FRAME (FREESTANDING)

For 8 MITESCO panels

Includes: poles, beam and bases

Panel Size	63"/159cm Wide	47"/119cm Wide
Part No	40021053	40020086
QTY	01 Frame	01 Frame
Finish	Silver Gray	Silver Gray



Please specify panel connection brackets and caps separately on page 157.

MITESCO DIVIDER SCREENS

SINGLE-SIDED FRAME (CASTERS)

For 4 MITESCO panels

Includes: poles, beam and casters

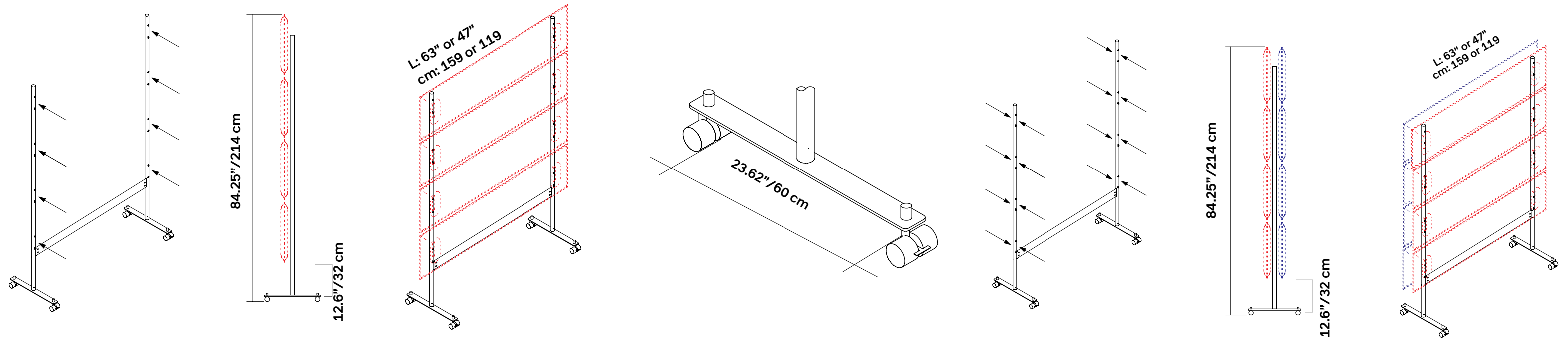
Panel Size	63"/159cm Wide	47"/119cm Wide
Part No	40020087	40020088
QTY	01 Frame	01 Frame
Finish	Silver Gray	Silver Gray

DOUBLE-SIDED FRAME (CASTERS)

For 8 MITESCO panels

Includes: poles, beam and casters

Panel Size	63"/159cm Wide	47"/119cm Wide
Part No	40021052	40020089
QTY	01 Frame	01 Frame
Finish	Silver Gray	Silver Gray



Please specify panel connection brackets and caps separately on page 157.

MITESCO DIVIDER SCREENS

SINGLE-SIDED FRAME (FLOOR FIXED)

For 4 MITESCO panels

Includes: poles, beam and bases

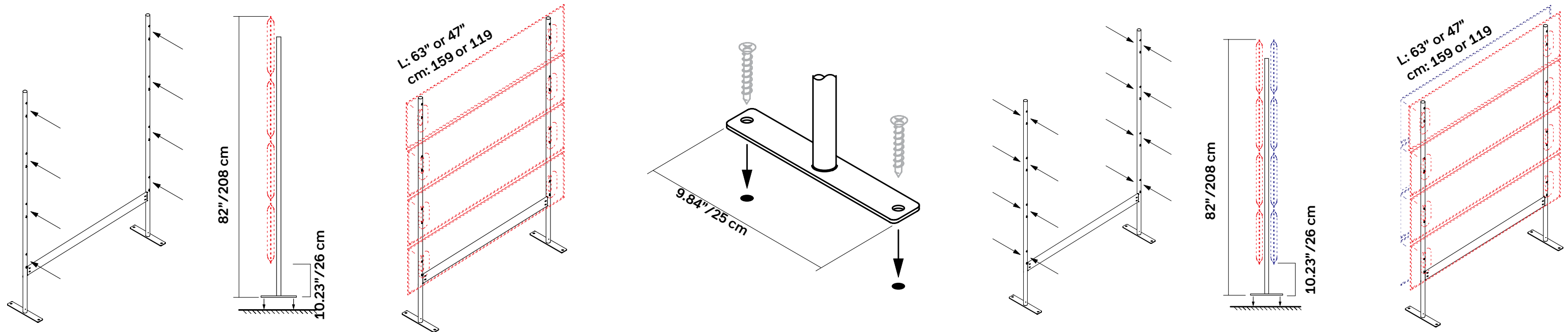
Panel Size	63"/159cm Wide	47"/119cm Wide
Part No	40020090	40020091
QTY	01 Frame	01 Frame
Finish	Silver Gray	Silver Gray

DOUBLE-SIDED FRAME (FLOOR FIXED)

For 8 MITESCO panels

Includes: poles, beam and bases

Panel Size	63"/159cm Wide	47"/119cm Wide
Part No	40020092	40020093
QTY	01 Frame	01 Frame
Finish	Silver Gray	Silver Gray



Please specify panel connection brackets and caps separately on page 157.

MITESCO DESK



MITESCO DESK

Using MITESCO panels with Snowsound® Technology variable density. Polyester covering in Trevira CS® fabric. The panel can be directly fixed on top of or under the desk (Screws not included), with powder-coated steel brackets to create a divider.

Specs	Polyester internal padding with Snowsound technology, polyester covering in Trevira CS® fabric
	Single material and 100% recyclable
	Eco friendly – Greenguard Gold
	Durable, tackable double-sided surface
	Patented variable density composition
	Class A sound absorption with NRC 1.0 (ISO 354/ASTM C423/ISO 11654)
	Absorbs 94% of human speech frequencies
	Class A fire and smoke safety (UL 723/ASTM E84)
	CAL 133, 117 pass
	leek profile at only 1.4” thick
	Desk mounted
Design	Michele De Lucchi

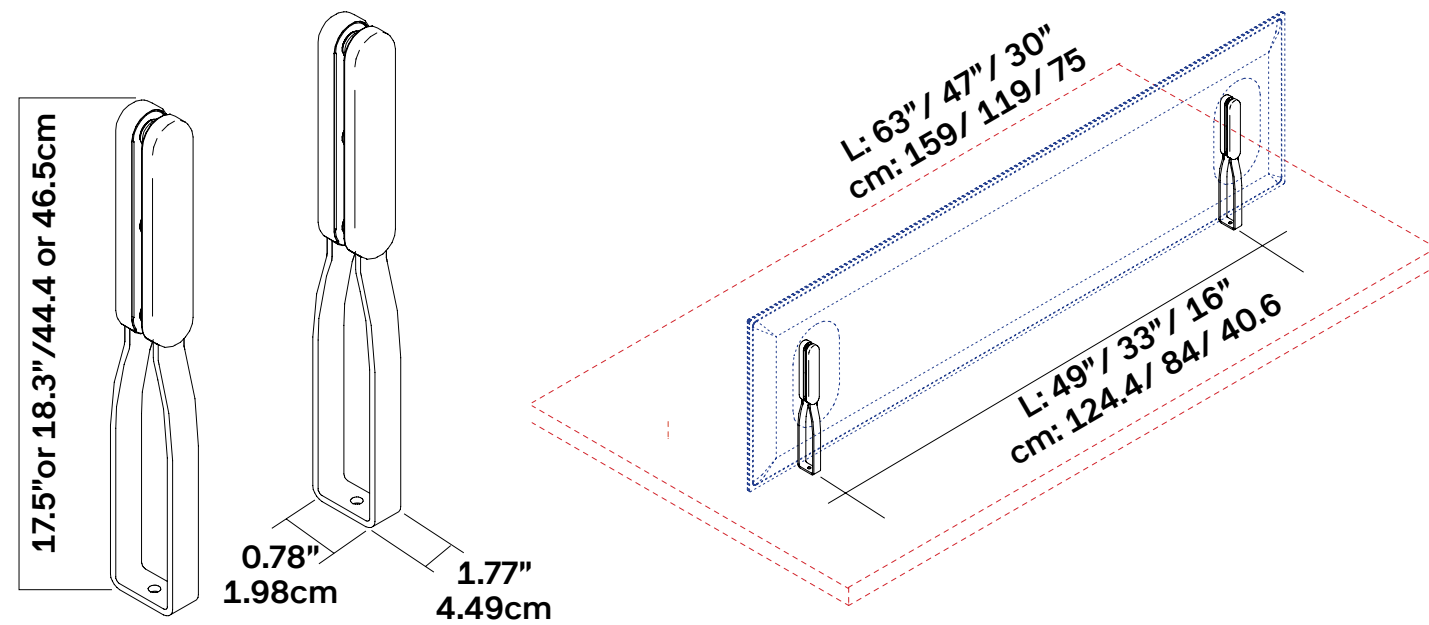


MITESCO DESK

DESK TOP BRACKET STEM - PAIR

Includes: Panel connections & front caps in gray high-tech polymer.

Panel Size	Fits all three sizes	Fits all three sizes
Part No	40021016	40021139
QTY	01 Set	01 Set
Finish	Silver Gray	Matte White

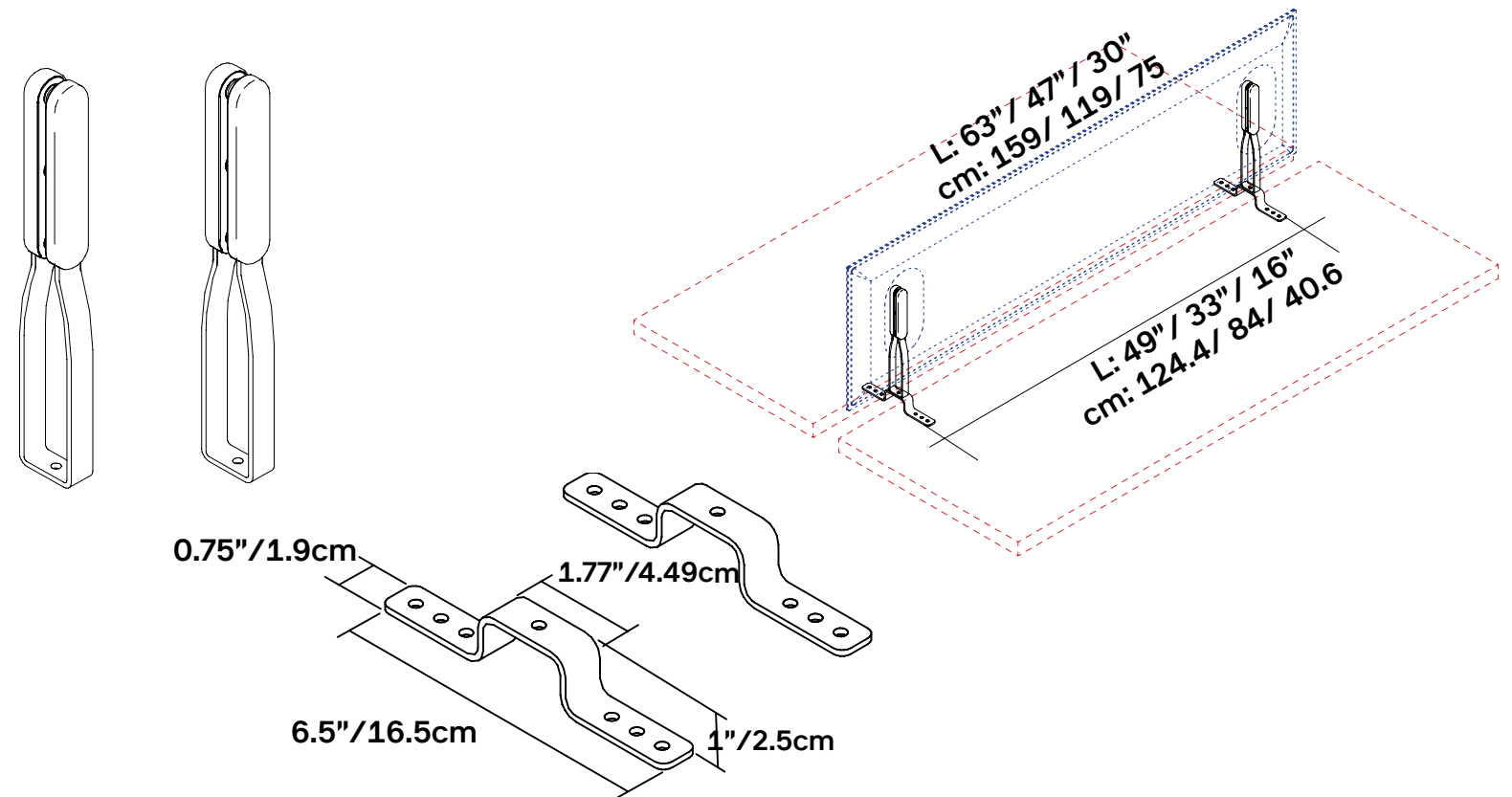


MITESCO connection caps not required.
Please specify MITESCO panel separately

DESK TOP BRIDGE BRACKET - PAIR

Includes: Panel connections & front caps in gray high-tech polymer.

Panel Size	Fits all three sizes	Fits all three sizes
Part No	40021141	40021147
QTY	01 Set	01 Set
Finish	Silver Gray	Matte White



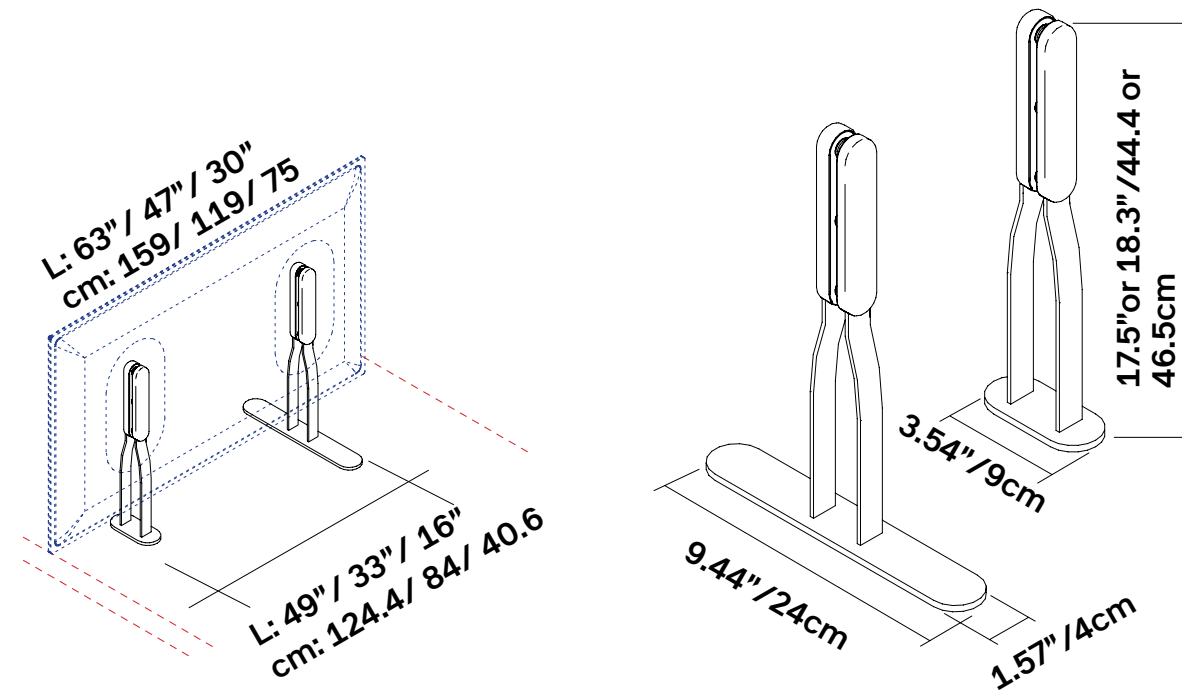
Use with Desk Top Bracket Stem
Please specify MITESCO panel separately

MITESCO DESK

FREESTANDING DESK TOP DIVIDER - SHORT/LONG PAIR

Includes: Panel connections & front caps in gray high-tech polymer.

Panel Size	Fits all three sizes
Part No	40021018
QTY	01 Set
Finish	Silver Gray



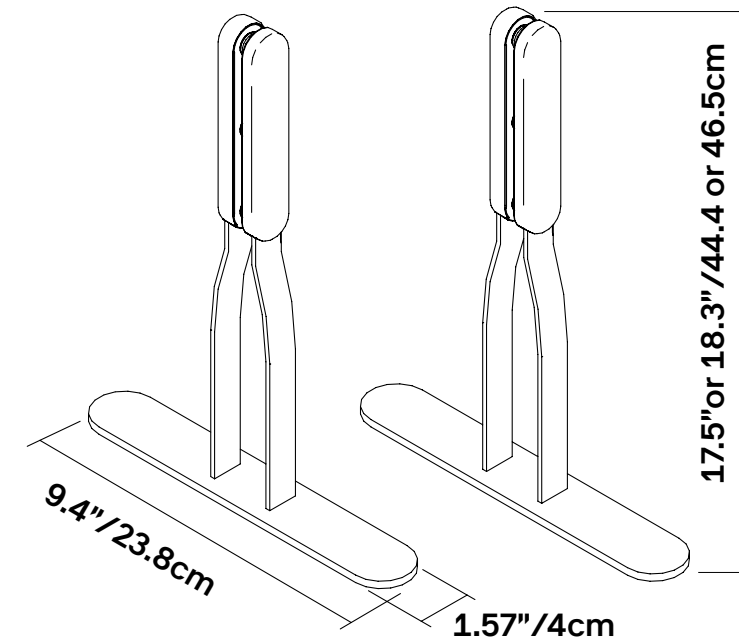
NOTE: MITESCO connection caps not required.
Please specify MITESCO panel separately

SNOWSOUND

FREESTANDING DESK TOP DIVIDER - LONG PAIR

Includes: Panel connections & front caps in gray high-tech polymer.

Panel Size	Fits all three sizes	Fits all three sizes
Part No	40021145	40021143
QTY	01 Set	01 Set
Finish	Silver Gray	Matte White



NOTE: MITESCO connection caps not required.
Please specify MITESCO panel separately

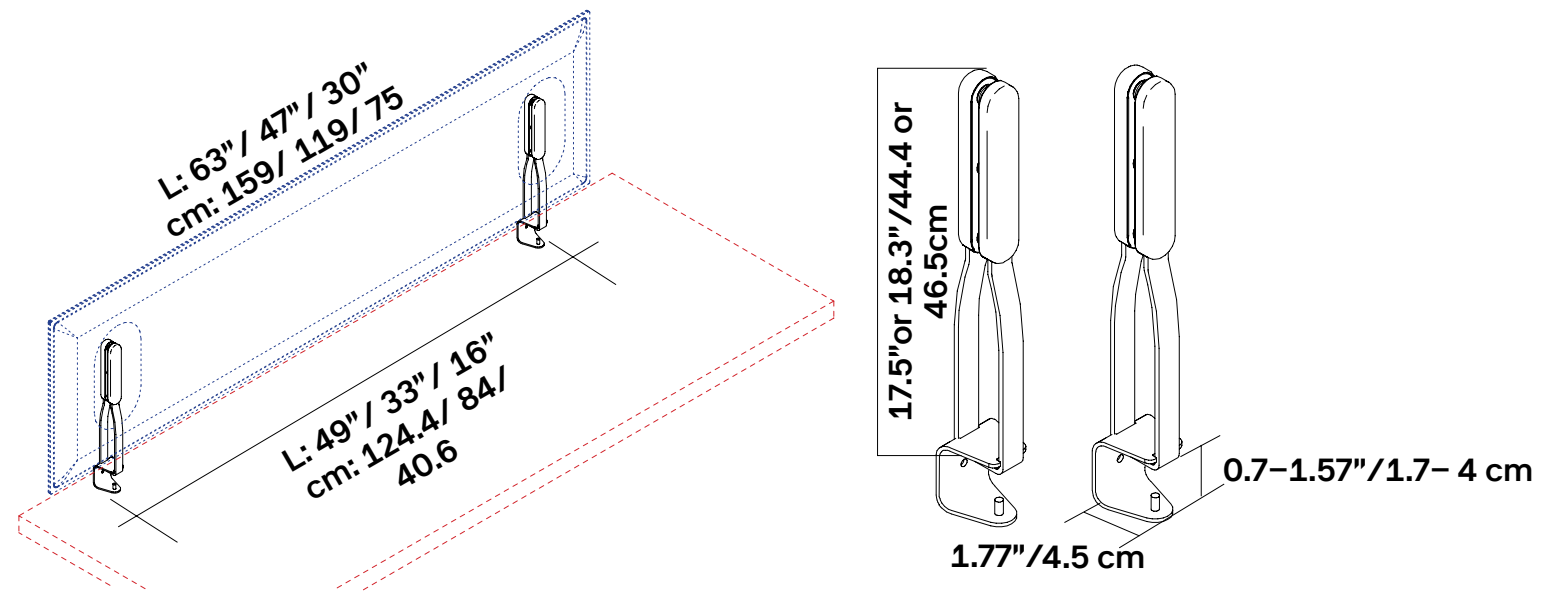
Spec Guide 2024 V1.0

MITESCO DESK

DESK TOP CLAMP BRACKETS - PAIR

Includes: Panel connections & front caps in gray high-tech polymer.

Panel Size	Fits all three sizes	Fits all three sizes
Part No	40021037	40021146
QTY	01 Set	01 Set
Finish	Silver Gray	Matte White

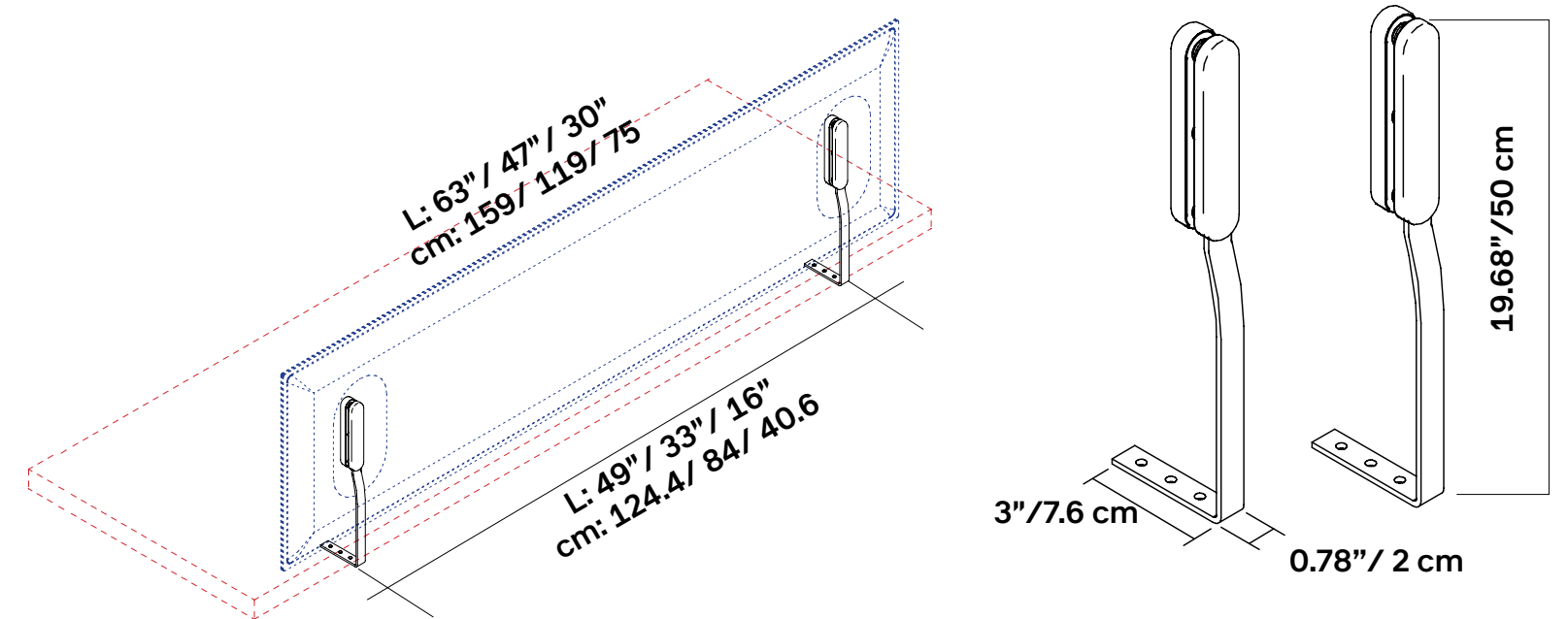


NOTE: MITESCO connection caps not required.
Please specify MITESCO panel separately

DESK TOP L-BRACKET - PAIR

Includes: Panel connections & front caps in gray high-tech polymer.

Panel Size	Fits all three sizes	Fits all three sizes
Part No	40021015	40021142
QTY	01 Set	01 Set
Finish	Silver Gray	Matte White



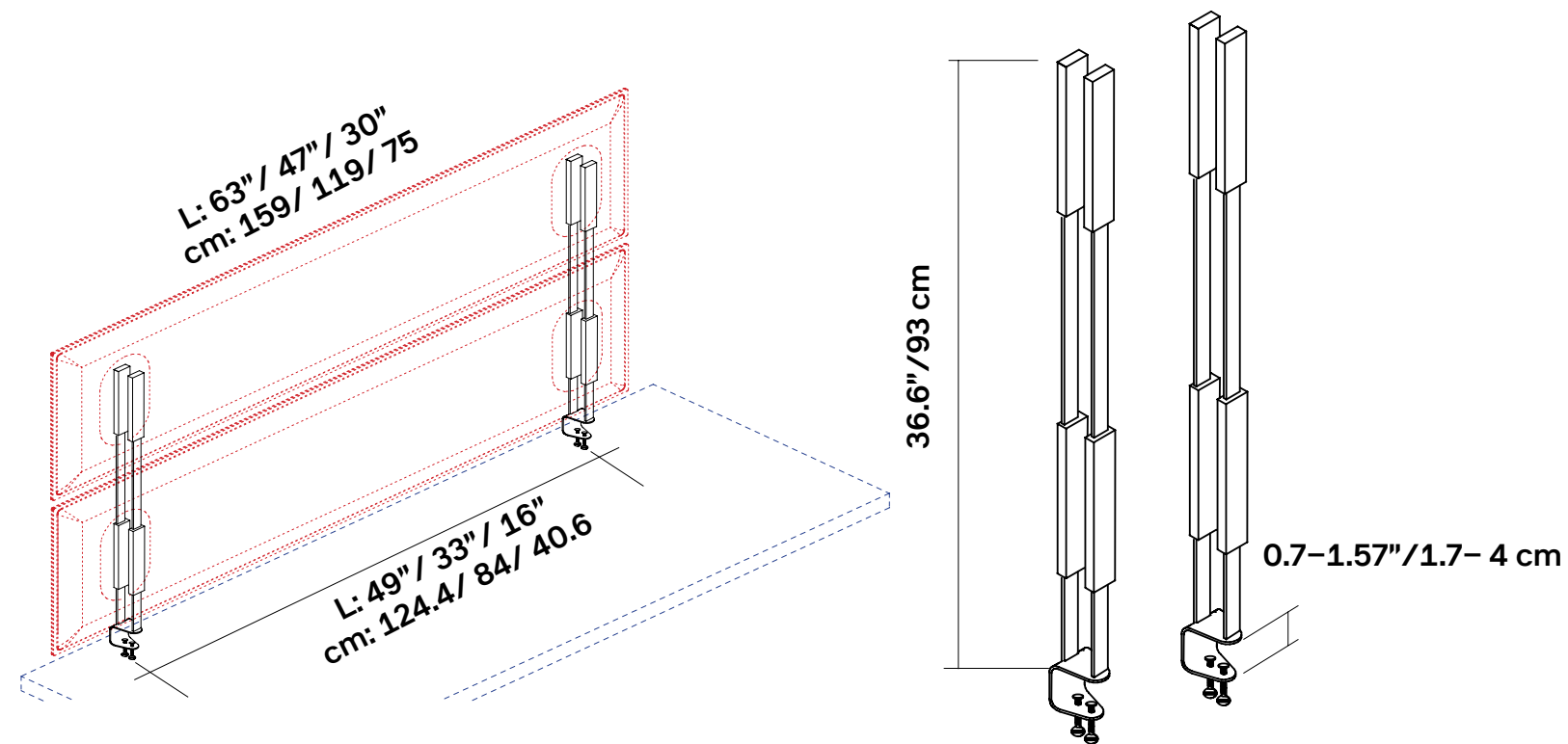
NOTE: MITESCO connection caps not required.
Please specify MITESCO panel separately

MITESCO DESK

DESK TOP DUAL CLAMP BRACKETS - PAIR

Includes: Panel connections & front caps in gray high-tech polymer.

Panel Size	Fits all three sizes	Fits all three sizes
Part No	40021056	40021087
QTY	01 Set	01 Set
Finish	Silver Gray	Matte White



NOTE: MITESCO connection caps not required.
Please specify MITESCO panel separately

OVERSIZE CEILING



OVERSIZE CEILING

OVERSIZE CEILING (CEILING SUSPENDED): The OVERSIZE system features large-size acoustic panels crafted with Snowsound® technology. These panels are suspended from the ceiling using a suspension kit, which includes a panel back frame, panel fasteners, aircraft cable, and ceiling plates.

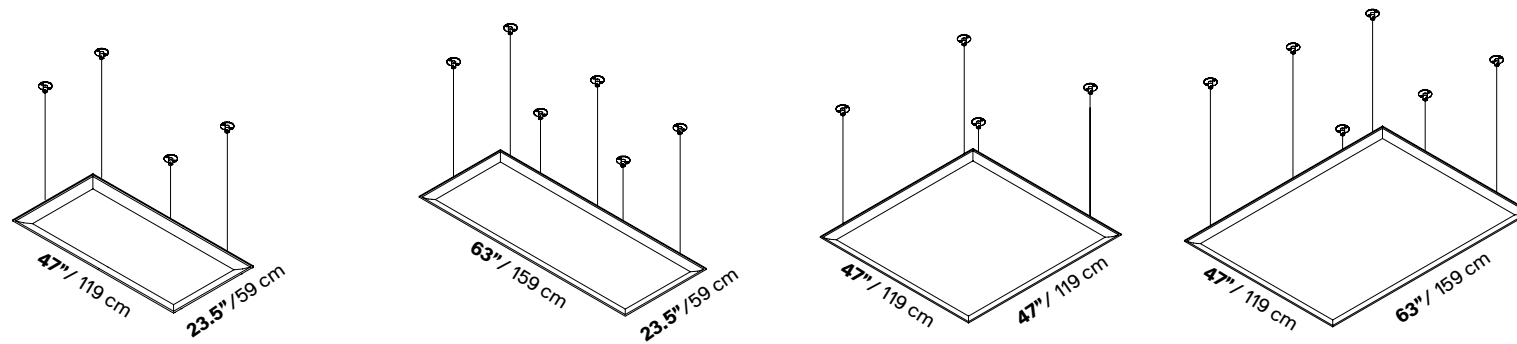
OVERSIZE CEILING (DIRECT FLUSH MOUNTED): The OVERSIZE fixing kit comprises two supports anchored to the ceiling, with the panel fixed directly atop using self-tapping screws. The frame and supports are joined together by an interlocking system.

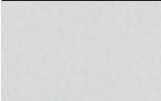










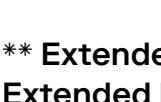





Specs	Polyester internal padding with Snowsound technology, polyester covering in Trevira CS® fabric
	Single material and 100% recyclable
	Eco friendly – Greenguard Gold
	Durable, tackable double-sided surface
	Patented variable density composition
	Class A sound absorption with NRC 1.0 (ISO 354/ASTM C423/ISO 11654)
	Absorbs 94% of human speech frequencies
	Class A fire and smoke safety (UL 723/ASTM E84)
	CAL 133, 117 pass
	Sleek profile at only 1.4” thick
	Ceiling suspended
Design	Snowsound Lab

OVERSIZE CEILING PANELS

Call your representative for stock levels and availability



	Color	Part No	Part No	Part No	Part No
	White	40025649	40025002	40025042	40025045
	Silver	40025650	40025001	40025043	40025046
	Gray				
	Charcoal	40025651	40025003	40025082	40025080
	Gray				
	Slate	40025659	40025295	40025299	40025300
	Blue				
	Beige	40025652**	40020055	40025313**	40025314**
	Dove	40025653**	40025004	40025044**	40025047**
	Gray				
	Sun	40025654**	40020056**	40025316**	40025240**
	Yellow				
	Carrot	40025655**	40025006	40025311**	40025241**
	Orange				
	Red	40025656**	40020057	40025315**	40025284**

** Extended lead time

Extended lead time colors require: up to 10–12 weeks

Quick Ship items only show item number without additional notation

For larger swatches & full color options, please refer to pages 32–34.

Panels available in special order colors. Special order colors require:

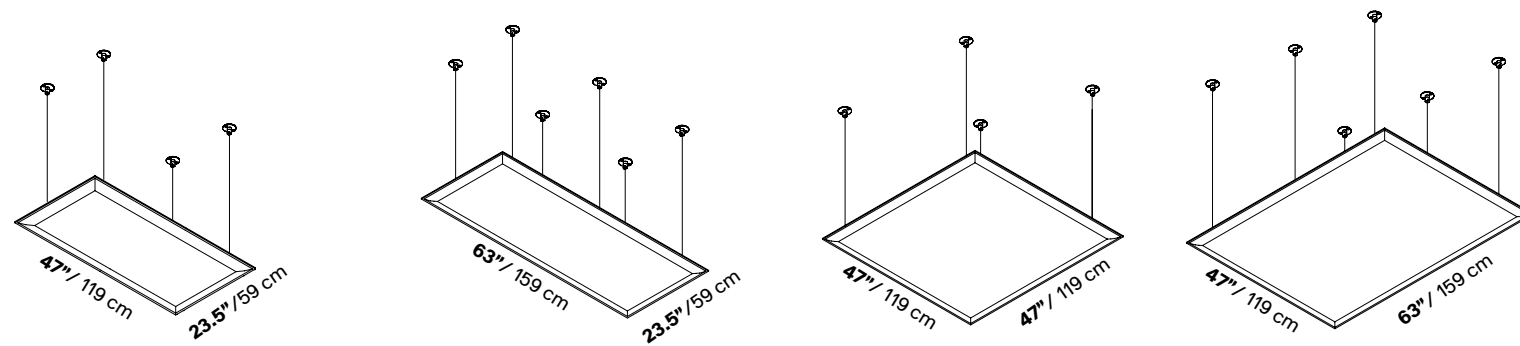
– MOQ varies from size to size







– Lead time up to 14–16 weeks

– +10% Custom service fee

OVERSIZE CEILING PANELS

Call your representative for stock levels and availability



	Color	Part No	Part No	Part No	Part No
	Rustic Brick	40025658**	40025287**	40025291**	40025292**
	Olive Green	40025657**	40020058	40025318**	40025319**
	Dark Teal	40025660**	40025303**	40025307**	40025308**
	Blue		40025005**		
	Cool White	40025679**	40020664**	40025309**	40025310**
	Black			40025733**	40025734**
		Special Order Color MOQ: 50	Special Order Color MOQ: 50	Special Order Color MOQ: 18	Special Order Color MOQ: 18

** Extended lead time

Extended lead time colors require: up to 10–12 weeks

Quick Ship items only show item number without additional notation

For larger swatches & full color options, please refer to pages 32–34.

Panels available in special order colors. Special order colors require:

– MOQ varies from size to size

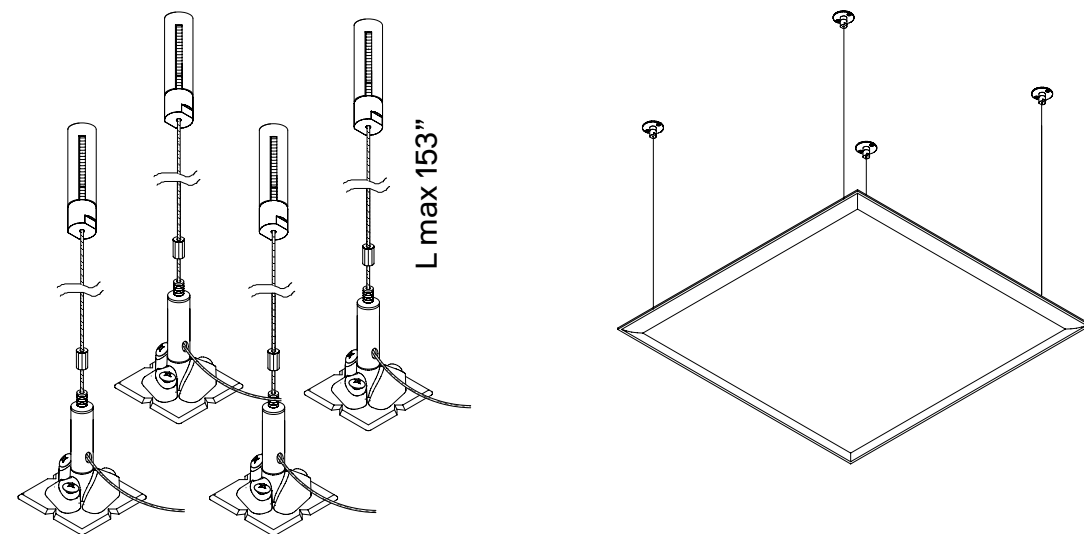
– Lead time up to 14–16 weeks

– +10% Custom service fee

OVERSIZE CEILING EASY HARDWARE

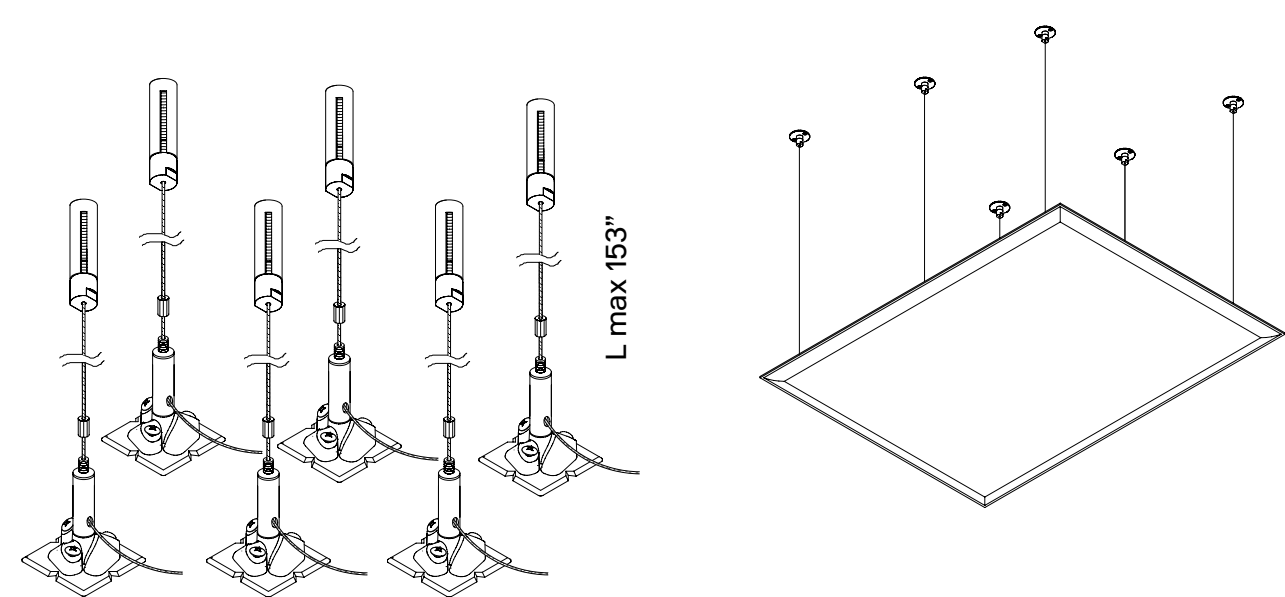
Note, Oversize Ceiling Easy Set of 4 hardware can be used with additionally available panels where the length or width does not exceed 47"

Panels	23.5" x 47" 47" x 47"
Part No	7S376/4-C
QTY	Set of 04
Finish	Steel



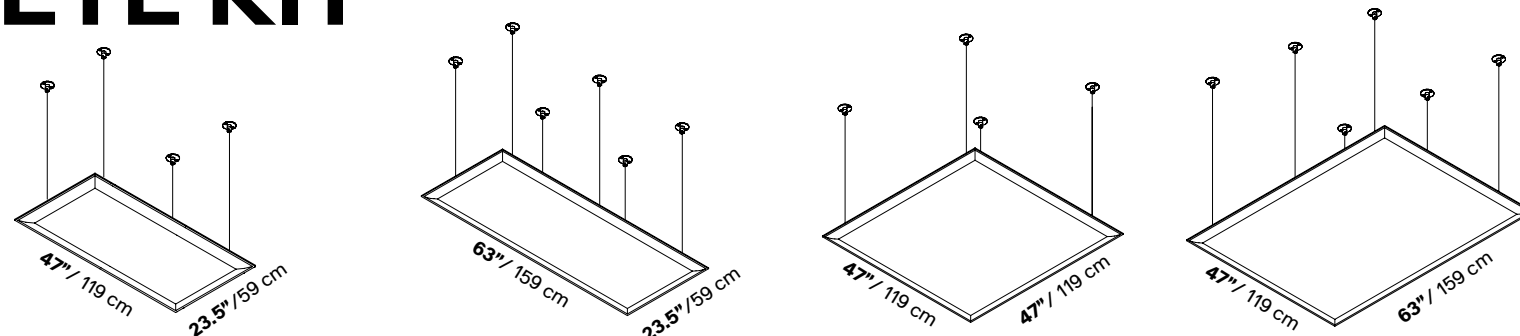
Note, Oversize Ceiling Easy Set of 6 hardware can be used with additionally available panels where the length or width exceeds 47"

Panels	23.5" x 63" 47" x 63"
Part No	7S376/6-C
QTY	Set of 06
Finish	Steel



OVERSIZE CEILING SUSPENDED COMPLETE KIT

Call your representative for stock levels and availability



Color	Part No	Part No	Part No	Part No
White	40025766	40025174	40025054	40025055
Silver	40025722	40025175	40025059	40025060
Gray				
Charcoal	40025774	40025176	40025100	40025097
Gray				
Slate	40025776	40025342	40025345	40025354
Blue				
Beige	40025768**	40025177	40025349**	40025358**
Dove	40025767**	40025178	40025064**	40025065**
Gray				
Sun	40025769**	40025179**	40025351**	40025360**
Yellow				
Carrot	40025773**	40025180	40025348**	40025357**
Orange				
Red	40025770**	40025181	40025350**	40025359**

** Extended lead time

Extended lead time colors require: up to 10–12 weeks

Quick Ship items only show item number without additional notation

For larger swatches & full color options, please refer to pages 32–34.

Panels available in special order colors. Special order colors require:

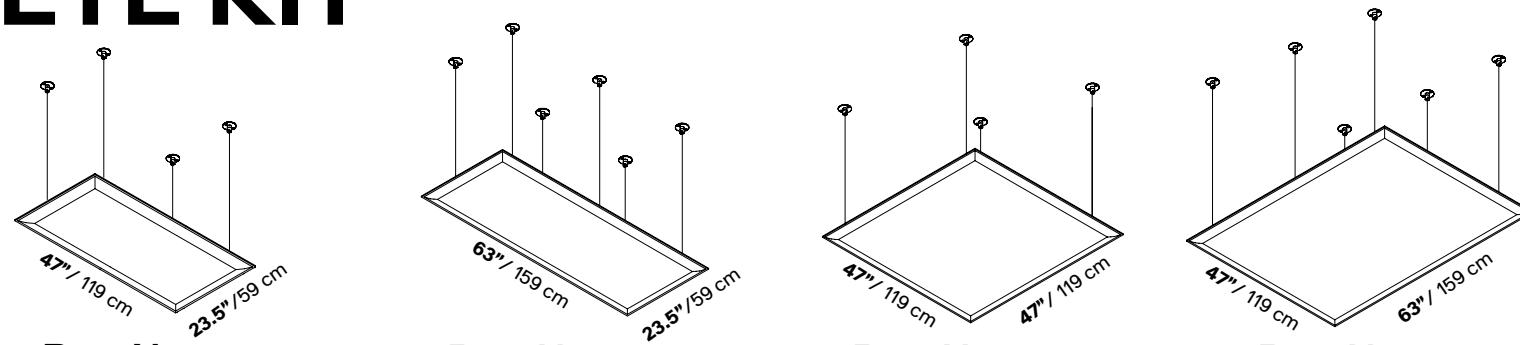
– MOQ varies from size to size

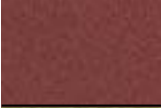





– Lead time up to 14–16 weeks

– +10% Custom service fee

OVERSIZE CEILING SUSPENDED COMPLETE KIT

Call your representative for stock levels and availability



	Color	Part No	Part No	Part No	Part No
	Rustic Brick	40025775**	40025341**	40025344**	40025353**
	Olive Green	40025771**	40025182	40025352**	40025361**
	Dark Teal	40025777**	40025343**	40025346**	40025355**
	Blue		40025184		
	Cool White	40025819**	40025779**	40025347**	40025356**
	Black			40025780**	40025781**
		Special Order Color MOQ: 50	Special Order Color MOQ: 50	Special Order Color MOQ: 18	Special Order Color MOQ: 18

** Extended lead time

Extended lead time colors require: up to 10–12 weeks

Quick Ship items only show item number without additional notation

For larger swatches & full color options, please refer to pages 32–34.

Panels available in special order colors. Special order colors require:

– MOQ varies from size to size

– Lead time up to 14–16 weeks

– +10% Custom service fee

OVERSIZE CEILING SUSPENDED COMPLETE KIT

For direct surface mounting on ceiling.

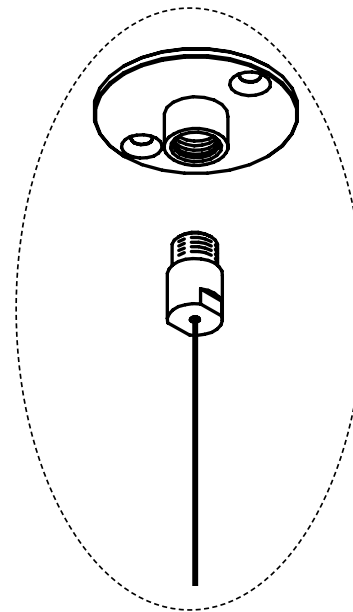
Kit includes	01 panel
	01 Hanging frame
	04 Cables
	04 Panel fasteners
	04 Ceiling plates
Weight	23.5" x 47": 12 lbs.
	23.5" x 63": 15 lbs.
	47" x 47": 18.5 lbs.
	47" x 63": 23 lbs.

MAXIMUM DROP FROM CEILING: 153"/390 cm

MINIMUM DROP FROM CEILING: 3.5"/9 cm



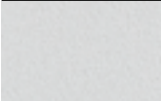








ø 1.50"/3.81 cm



OVERSIZE FLUSH CEILING MOUNTED COMPLETE KIT

Call your representative for stock levels and availability



	Color	Part No	Part No	Part No	Part No
	White	40025782	40025517	40025532	40025543
	Silver Gray	40025787	40025518	40025533	40025544
	Charcoal Gray	40025788	40025520	40025536	40025546
	Slate Blue	40025792	40025530	40025562	40025549
	Beige	40025784**	40025522	40025539**	40025552**
	Dove Gray	40025783**	40025523	40025535**	40025545**
	Sun Yellow	40025785**	40025526**	40025540**	40025554**
	Carrot Orange	40025789**	40025519	40025537**	40025548**
	Red	40025786**	40025525	40025538**	40025553**

** Extended lead time

Extended lead time colors require: up to 10–12 weeks

Quick Ship items only show item number without additional notation

For larger swatches & full color options, please refer to pages 32–34.

Panels available in special order colors. Special order colors require:

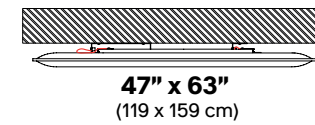
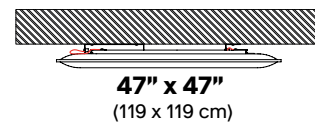
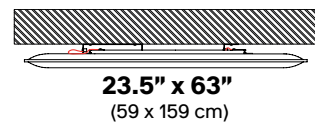
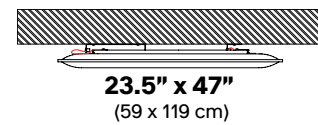
– MOQ varies from size to size







– Lead time up to 14–16 weeks

– +10% Custom service fee

OVERSIZE FLUSH CEILING MOUNTED COMPLETE KIT

Call your representative for stock levels and availability



	Color	Part No	Part No	Part No	Part No
	Rustic Brick	40025791**	40025529**	40025585**	40025547**
	Olive Green	40025790**	40025521	40025541**	40025555**
	Dark Teal	40025793**	40025531**	40025542**	40025550**
	Blue		40025524		
	Cool White	40025802**	40025795**	40025534**	40025551**
	Black			40025796**	40025797**
		Special Order Color MOQ: 50	Special Order Color MOQ: 50	Special Order Color MOQ: 18	Special Order Color MOQ: 18

** Extended lead time

Extended lead time colors require: up to 10–12 weeks

Quick Ship items only show item number without additional notation

For larger swatches & full color options, please refer to pages 32–34.

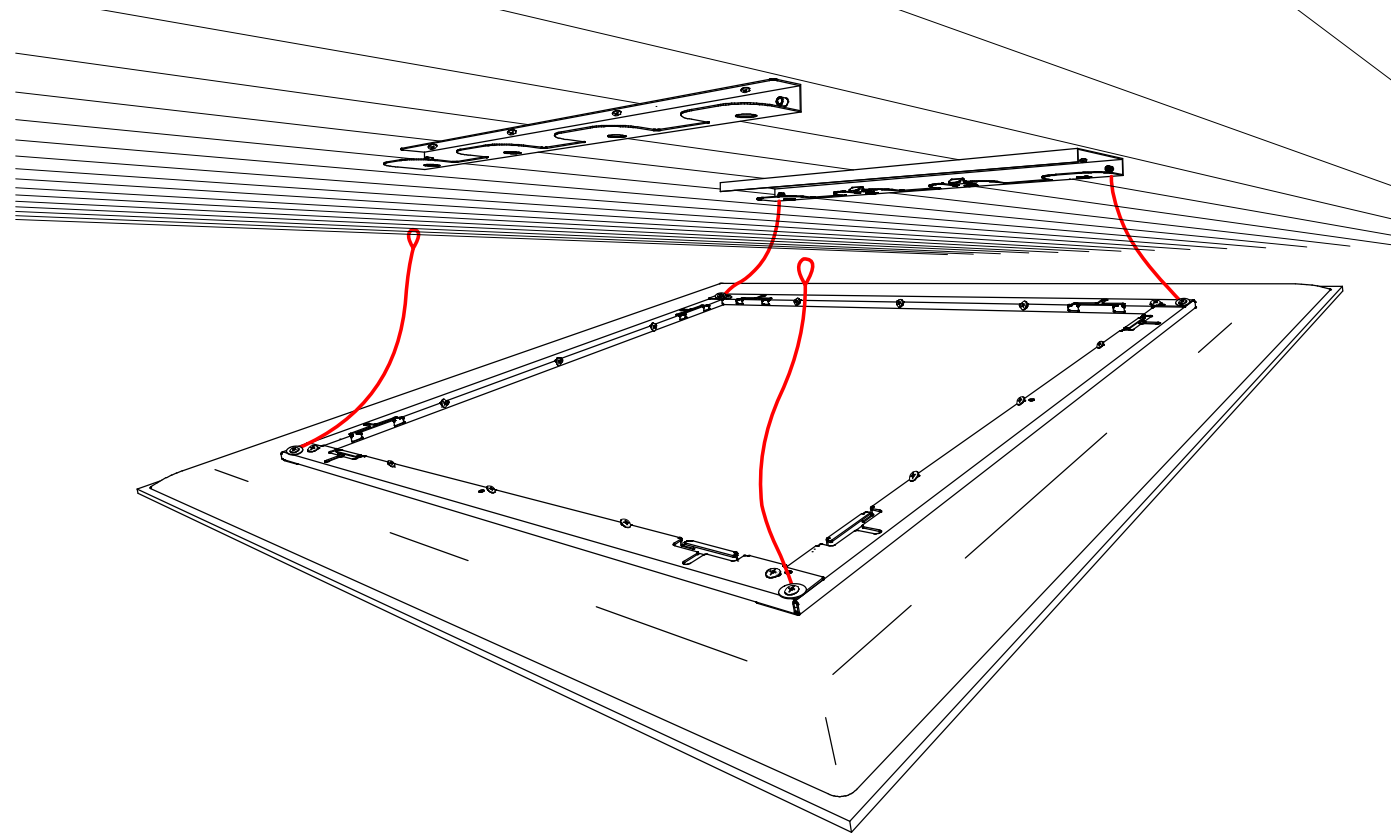
Panels available in special order colors. Special order colors require:

– MOQ varies from size to size,

– Lead time up to 14–16 weeks

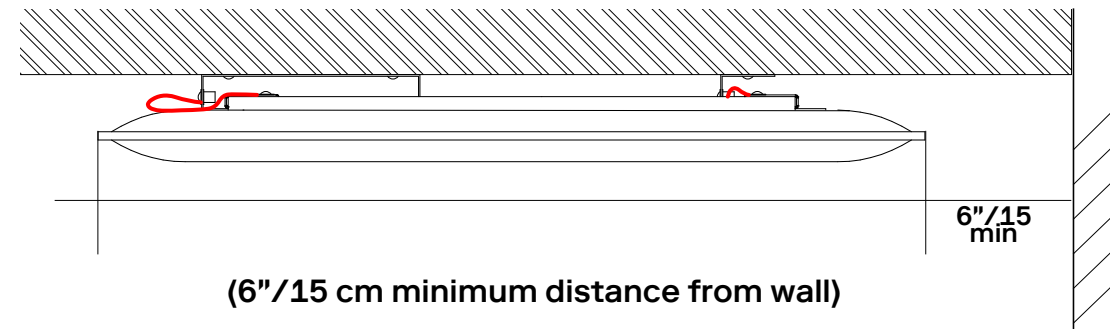
– +10% Custom service fee

OVERSIZE FLUSH CEILING MOUNTED COMPLETE KIT



For direct surface mounting on ceiling.

Kit includes	01 Panel
	01 Hanging frame
	04 Cables
	02 Ceiling plates



OVERSIZE WALL/DESK



OVERSIZE WALL/ DESK



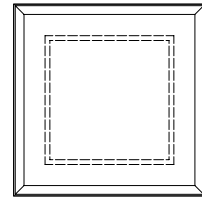
OVERSIZE (WALL MOUNTED): The OVERSIZE system features large-size acoustic panels crafted with Snowsound® technology. These panels are wall-mounted using invisible hardware, including a sturdy metal back frame that affixes directly to the panel and hangs from a horizontal metal cleat.

OVERSIZE (DESK MOUNTED): The OVERSIZE system features large-size acoustic panels crafted with Snowsound® technology. These panels are attached to the desk edge using clamp brackets available in either a silver or matte white finish.

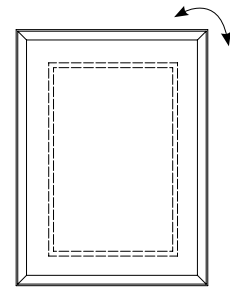
Specs	Polyester internal padding with Snowsound technology, polyester covering in Trevira CS® fabric
	Single material and 100% recyclable
	Eco friendly – Greenguard Gold
	Durable, tackable double-sided surface
	Patented variable density composition
	Class A sound absorption with NRC 1.0 (ISO 354/ASTM C423/ISO 11654)
	Absorbs 94% of human speech frequencies
	Class A fire and smoke safety (UL 723/ASTM E84)
	CAL 133, 117 pass
	Sleek profile at only 1.4” thick
	Desk mounted/Wall mounted
Design	Snowsound Lab

OVERSIZE WALL MOUNTED COMPLETE KIT

Call your representative for stock levels and availability

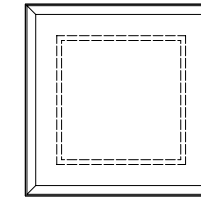


47" x 47"
(119 x 119 cm)

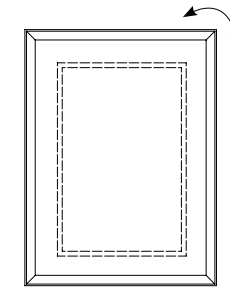


47" x 63"
(119 x 159 cm)

Color	Part No	Part No
White	40025052	40025053
Silver Gray	40025057	40025058
Charcoal Gray	40025099	40025098
Slate Blue	40025321	40025330
Beige	40025325**	40025334**
Dove Gray	40025062**	40025063**
Sun Yellow	40025327**	40025336**
Carrot Orange	40025324**	40025333**
Red	40025326**	40025335**



47" x 47"
(119 x 119 cm)



47" x 63"
(119 x 159 cm)

Color	Part No	Part No
Rustic Brick	40025320**	40025329**
Olive Green	40025328**	40025337**
Dark Teal	40025322**	40025331**
Cool White	40025323**	40025332**
Black	40025821**	40025822**

Special Order Color
MOQ: 18

Special Order Color
MOQ: 18

** Extended lead time

Extended lead time colors require: up to 10–12 weeks

Quick Ship items only show item number without additional notation

For larger swatches & full color options, please refer to pages 32–34.

Panels available in special order colors. Special order colors require:

– MOQ varies from size to size

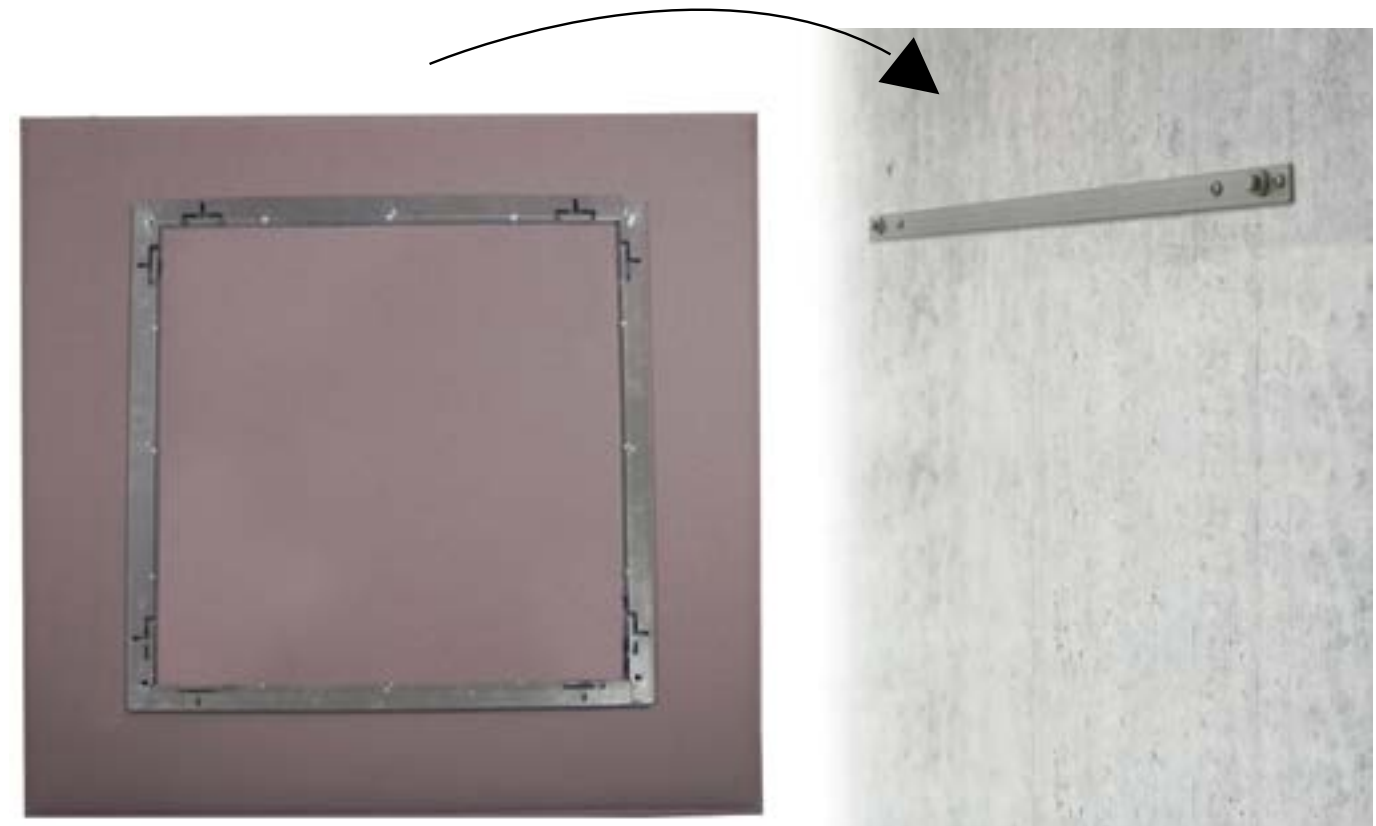
– Lead time up to 14–16 weeks

– +10% Custom service fee

OVERSIZE WALL MOUNTED COMPLETE KIT

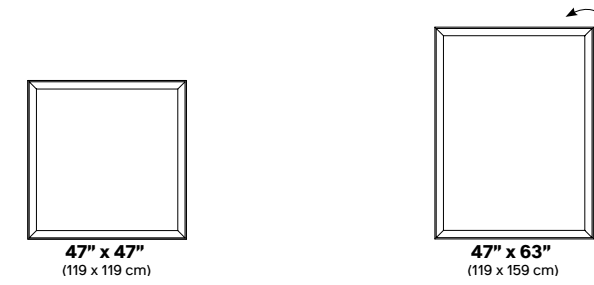
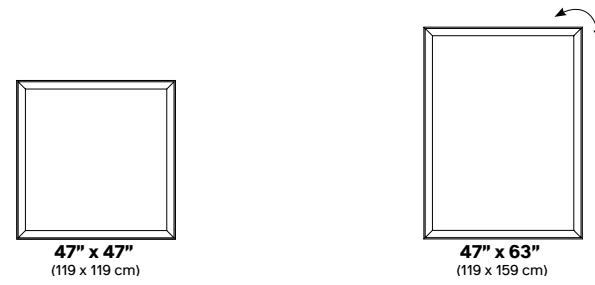
For direct surface mounting on wall.

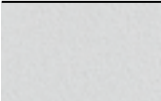








Kit includes	01 Panel
	01 Mounting frame
	01 Wall bracket




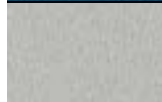



OVERSIZE DESK PANELS

Call your representative for stock levels and availability



	Color	Part No	Part No
	White	40025042	40025053
	Silver Gray	40025043	40025046
	Charcoal Gray	40025082	40025080
	Slate Blue	40025299	40025300
	Beige	40025313**	40025314**
	Dove Gray	40025044**	40025047**
	Sun Yellow	40025316**	40025240**
	Carrot Orange	40025311**	40025241**
	Red	40025315**	40025284**

	Color	Part No	Part No
	Rustic Brick	40025291**	40025292**
	Olive Green	40025318**	40025319**
	Dark Teal	40025307**	40025308**
	Cool White	40025309**	40025310**
	Black	40025733**	40025734**
		Special Order Color MOQ: 18	Special Order Color MOQ: 18

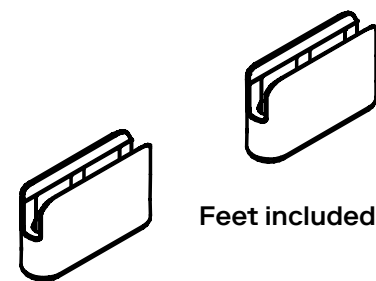
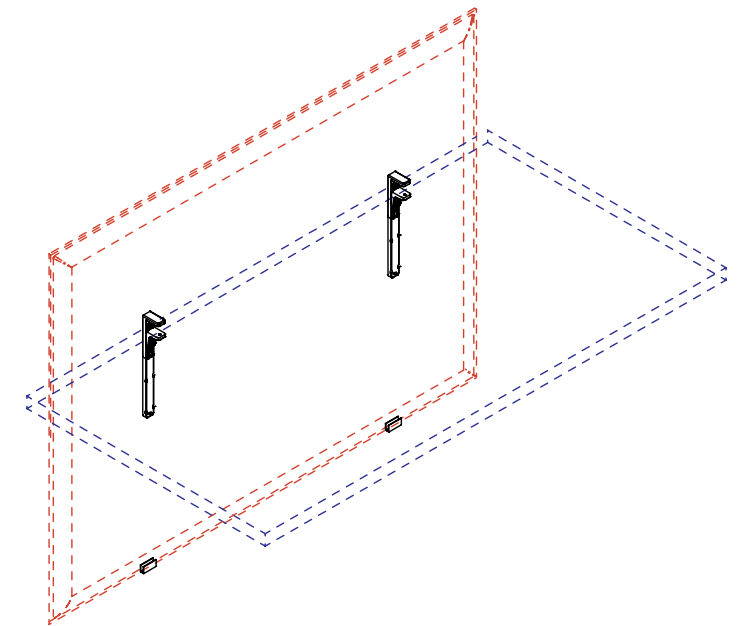
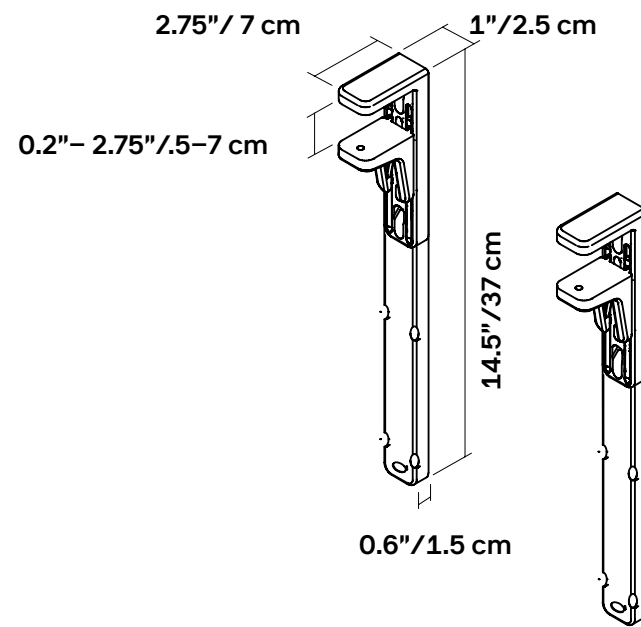
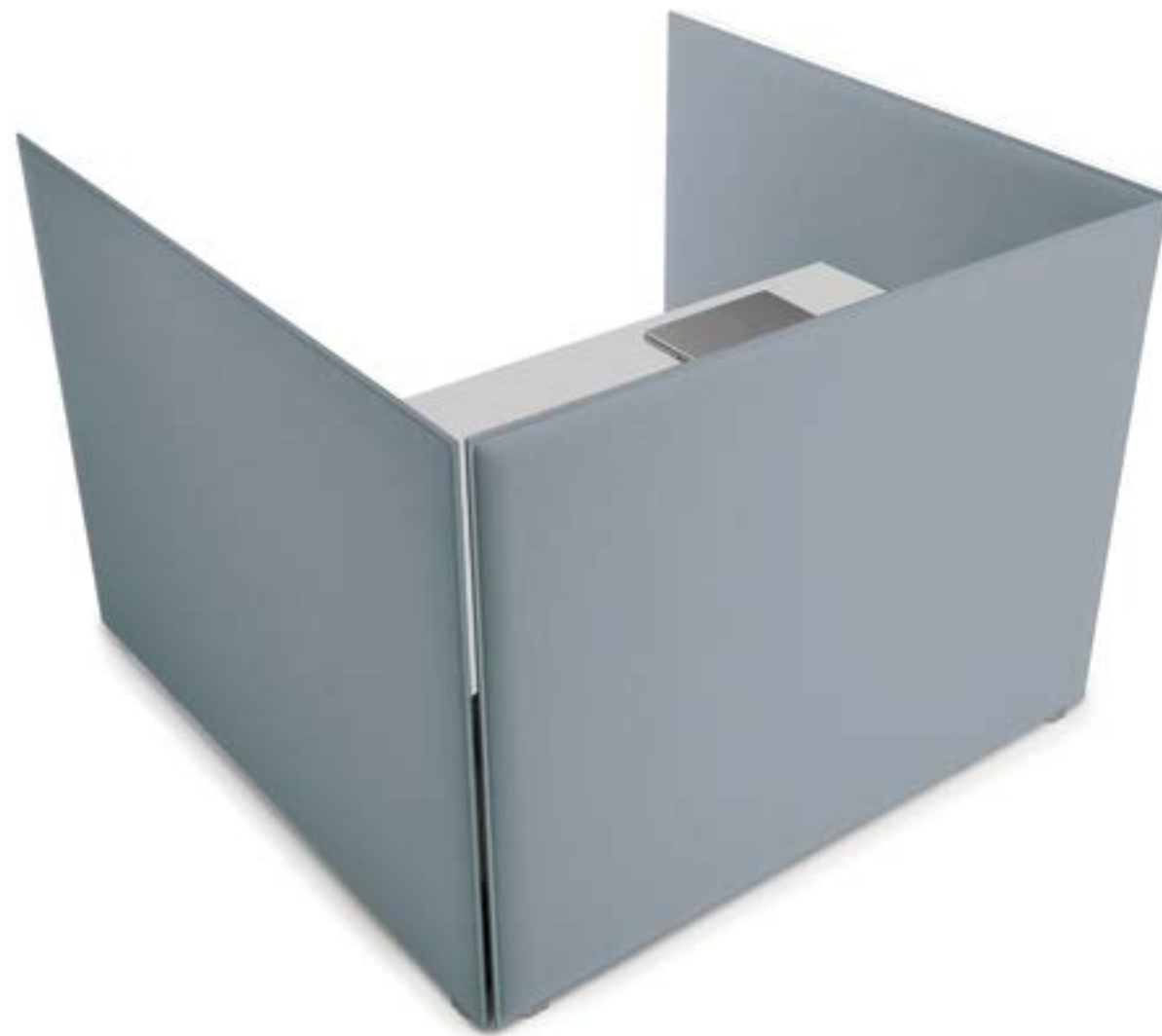
** Extended lead time
 Extended lead time colors require: up to 10–12 weeks
 Quick Ship items only show item number without additional notation
 For larger swatches & full color options, please refer to pages 32–34.

Panels available in special order colors. Special order colors require:
 – MOQ varies from size to size
 – Lead time up to 14–16 weeks
 – +10% Custom service fee

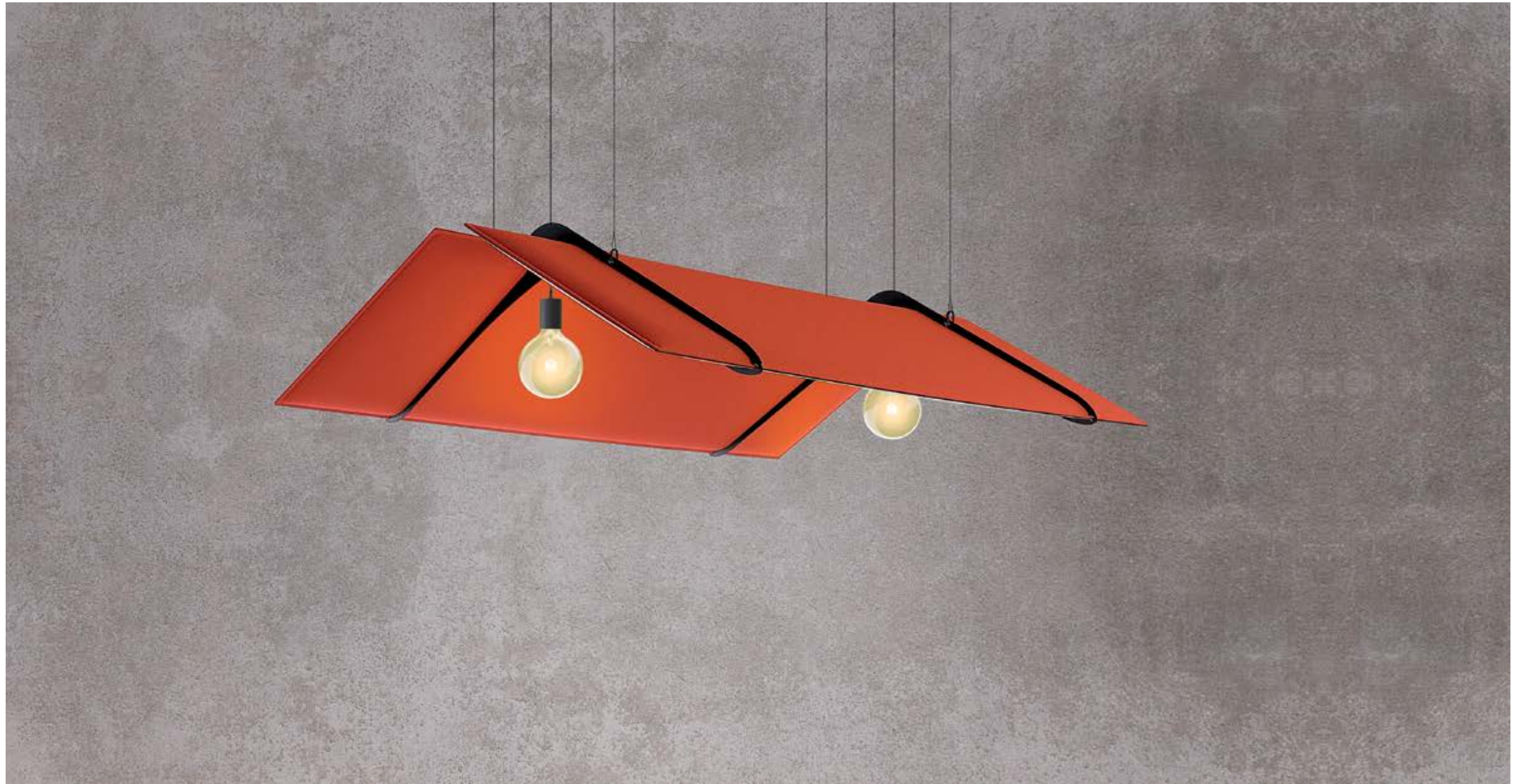
PANEL BRACKETS - PAIR

For direct surface mounting on wall. Panels sold separately. Screws to fasten bracket to wall not included.

Panel Size	Fits both sizes	Fits both sizes
Part No	40025056	40025061
QTY	01 Set	01 Set
Finish	Silver Gray	Matte White



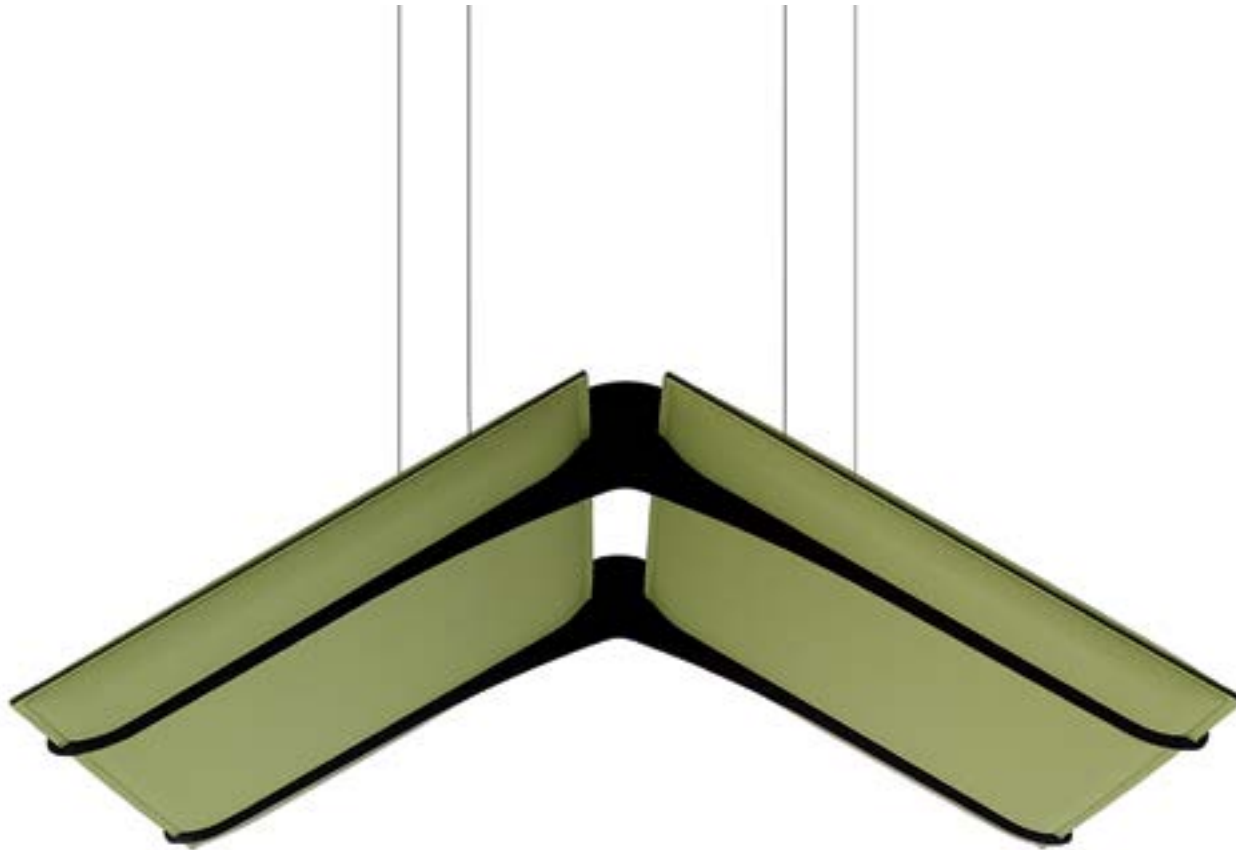
PAGODA



PAGODA

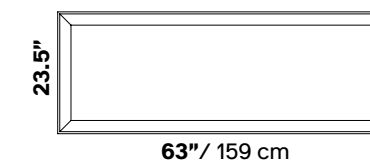
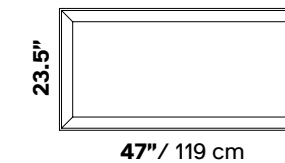
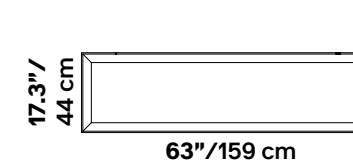
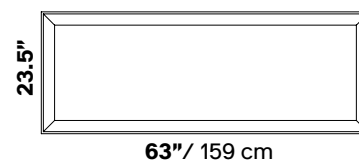
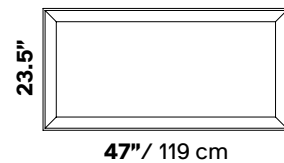
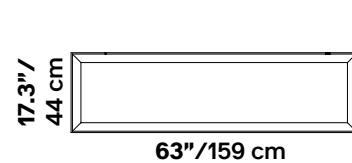
PAGODA sound-absorbing suspended panels also serve as lampshades. The painted steel frame supports two Snowsound panels, which come in various sizes. The panels are angled and spaced to allow the passage of different light sources between them. The suspension cables are height-adjustable.

Specs	Polyester internal padding with Snowsound technology, polyester covering in Trevira CS® fabric
	Single material and 100% recyclable
	Eco friendly – Greenguard Gold
	Durable, tackable double-sided surface
	Patented variable density composition
	Class A sound absorption with NRC 1.0 (ISO 354/ASTM C423/ISO 11654)
	Absorbs 94% of human speech frequencies
	Class A fire and smoke safety (UL 723/ASTM E84)
	CAL 133, 117 pass
	Sleek profile at only 1.4” thick
	Ceiling suspended
	CE certified for ceiling application
Design	Snowsound Lab



PAGODA PANELS

Call your representative for stock levels and availability



	Color	Part No	Part No	Part No
	White	40025595	40025649	40025002
	Silver	40025596	40025650	40025001
	Gray			
	Charcoal	40025597	40025651	40025003
	Gray			
	Slate	40025605	40025659	40025295
	Blue			
	Beige	40025598**	40025652**	40020055
	Dove	40025599**	40025653**	40025004
	Gray			
	Sun	40025600**	40025654**	40020056**
	Yellow			
	Carrot	40025601**	40025655**	40025006
	Orange			
	Red	40025602**	40025656**	40020057

	Color	Part No	Part No	Part No
	Rustic	40025604**	40025658**	40025287**
	Brick			
	Olive	40025603**	40025657**	40020058
	Green			
	Dark	40025606**	40025660**	40025303**
	Teal			
	Blue			40025005
	Cool		40025679**	40025664**
	White			

Special Order Color
MOQ: 60

Special Order Color
MOQ: 50

Special Order Color
MOQ: 50

** Extended lead time

Extended lead time colors require: up to 10–12 weeks

For larger swatches & full color options, please refer to pages 32–34.

* Please specify frame and cables on page 199

Panels available in special order colors. Special order colors require:

– MOQ varies from size to size

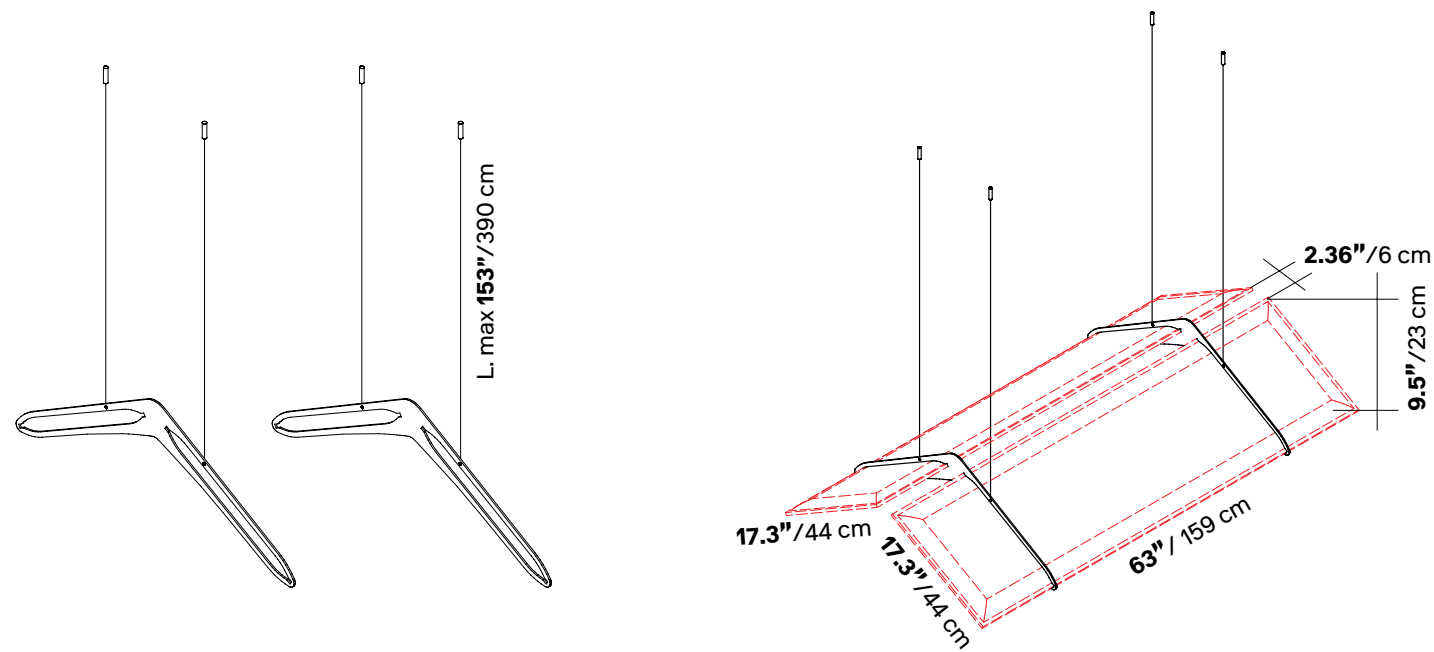
– Lead time up to 14–16 weeks

– +10% Custom service fee

PAGODA CEILING

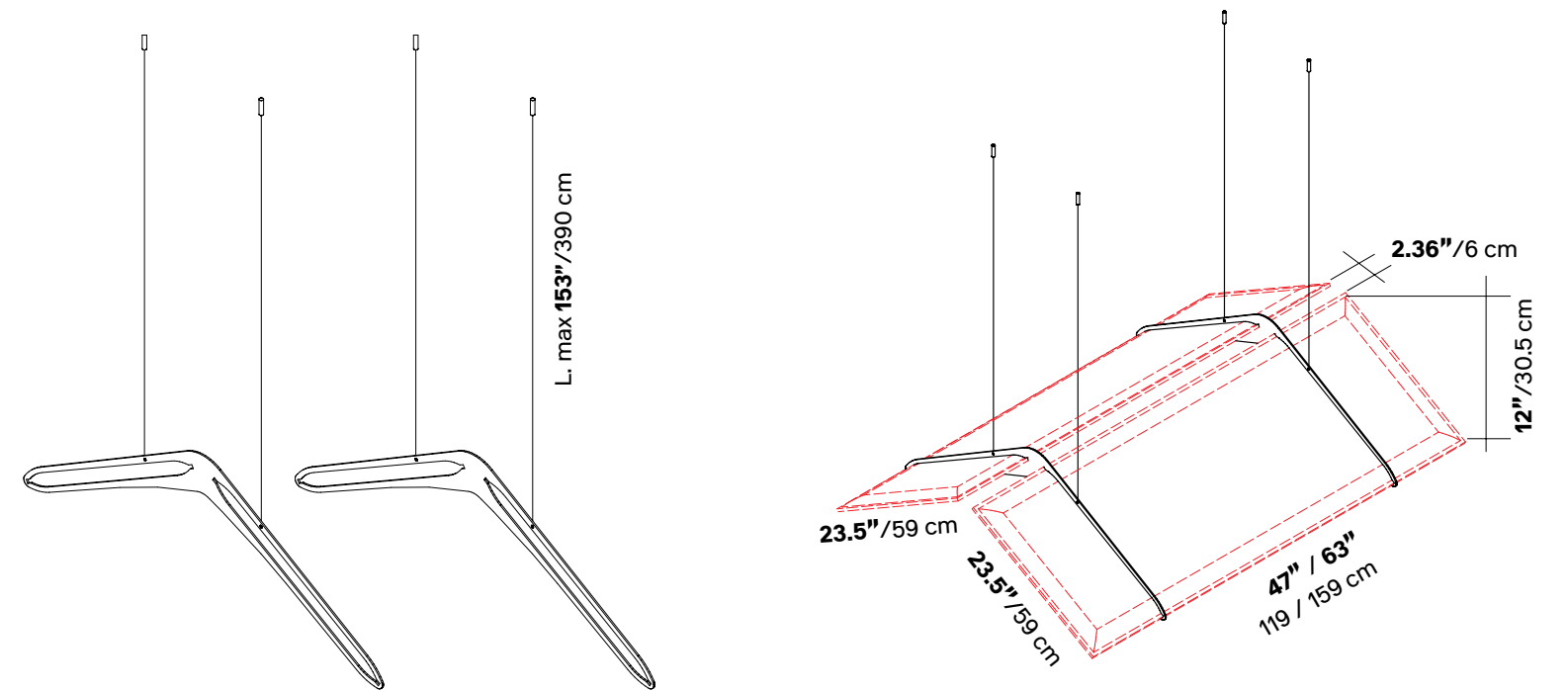
17.3" PAGODA CEILING - FRAME AND CABLES ONLY

Panel Size	17.3" x 63" (44 x 159 cm)
Part No	PAG44-BK
QTY	01 Pair
Finish	Matte black



23.5" PAGODA CEILING - FRAME AND CABLES ONLY

Panel Size	23.5" x 47"/63" (59 x 119/159 cm)
Part No	PAG59-BK
QTY	01 Pair
Finish	Matte black



* Panels sold separately
 – Please specify panels separately, see page 198

PERLINE



PERLINE

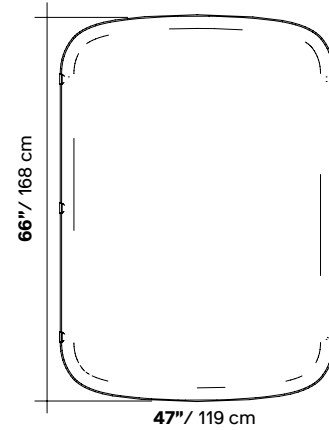
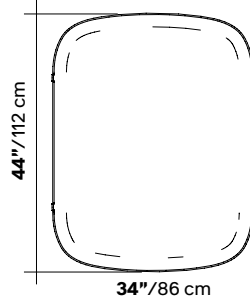
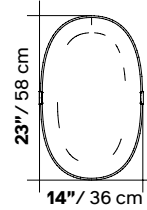
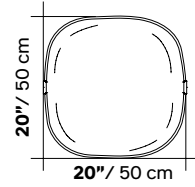


PERLINE is a Modular sound-absorbing system composed of panels in shapes and colors reminiscent of precious gems, crafted with Snowsound® Technology variable density. It offers a scalable modular solution for enhancing both the acoustic and aesthetic quality of a space. The panels come in four sizes and can be attached to freestanding structures, walls, and ceilings.

Specs	Polyester internal padding with Snowsound technology, polyester covering in Trevira CS® fabric
	Single material and 100% recyclable
	Eco friendly – Greenguard Gold
	Durable, tackable double-sided surface
	Patented variable density composition
	Class A sound absorption with NRC 1.0 (ISO 354/ASTM C423/ISO 11654)
	Absorbs 94% of human speech frequencies
	Class A fire and smoke safety (UL 723/ASTM E84)
	CAL 133, 117 pass
	Sleek profile at only 1.4” thick
	Ceiling suspended
	Ceiling/wall mounted/Freestanding
	CE certified for ceiling application
Design	(A+B) ANNALISA DOMINONI, BENEDETTO QUAQUARO

PERLINE PANELS

Call your representative for stock levels and availability



	Color	Part No	Part No	Part No	Part No
	Cool White	40051008**	40051004**	40051012**	40051016**
	Charcoal Gray	40051005**	40051001**	40051009**	40051013**
	Rose	40051006**	40051002**	40051010**	40051014**
	Aqua	400251007**	40051003**	40051011**	40051015**
		Special Order Color MOQ: 70	Special Order Color MOQ: 90	Special Order Color MOQ: 40	Special Order Color MOQ: 20

** Extended lead time

Extended lead time colors require: up to 10–12 weeks

Quick Ship items only show item number without additional notation

For larger swatches & full color options, please refer to pages 32–34.

Panels available in special order colors. Special order colors require:

– MOQ varies from size to size

– Lead time up to 14–16 weeks

– +10% Custom service fee

PERLINE

TOTEM - HARDWARE ONLY

Finish	Part No	Qty	Kit includes
Matte Black	40051019	01	70" Pole and Base
Matte White	40051021	01	
Metallic Sand	40051023	01	

Holds 4 Panels

* For (2) 20"x 20" Perline TV Panels and (2) 23"x14" Perline Oval Panels



* Panels sold separately, please specify panels separately, see page 202

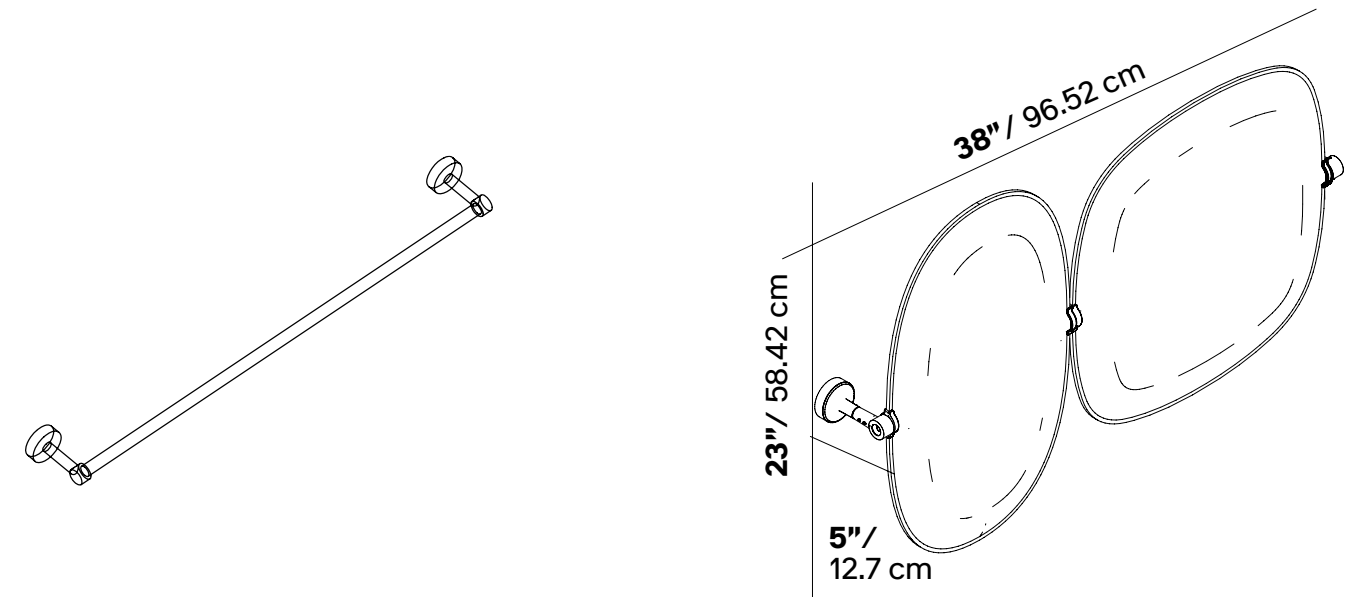
38" WALL MOUNTING FRAME - HARDWARE ONLY

* For direct surface mounting on wall (Wall mounting screws not included).

Panels	Holds 02 panels
Part No	40051044
QTY	01
Finish	Chrome
Includes	38" Tube and Hardware

Holds 2 Panels

* For (1) 20"x 20" Perline TV Panels and (1) 23"x14" Perline Oval Panels



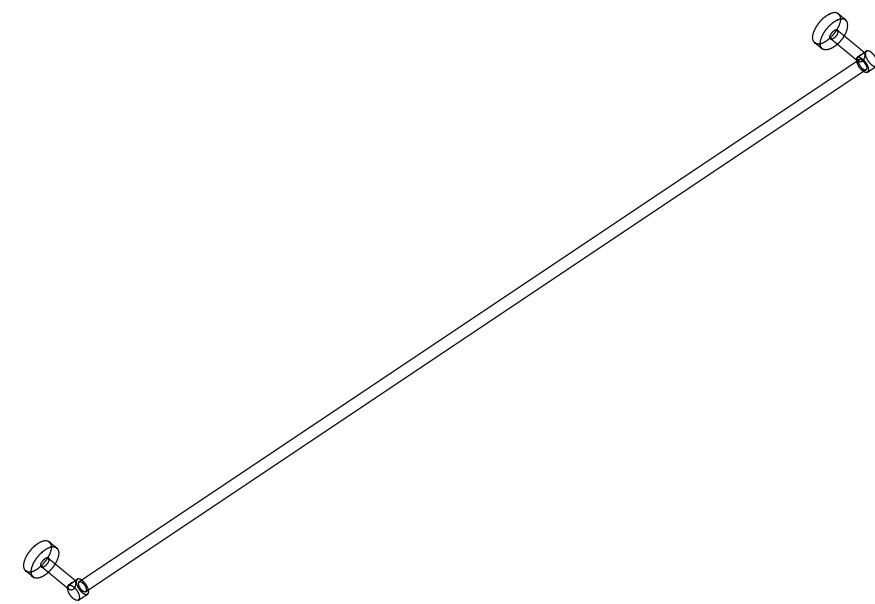
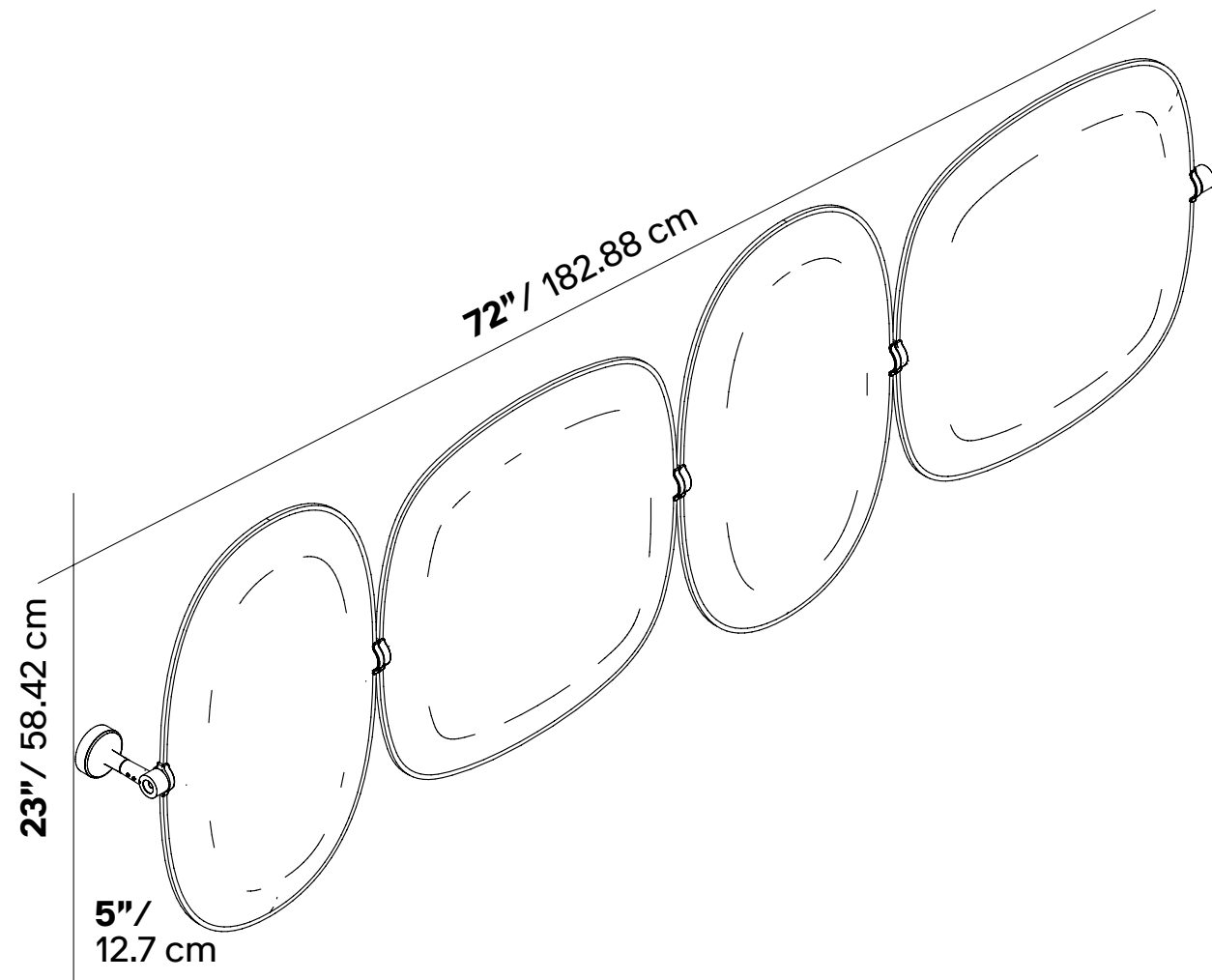
72" WALL MOUNTING FRAME - HARDWARE ONLY

* For direct surface mounting on wall (wall mounting screws not included).

Panels	Holds 04 Panels
Part No	40051045
QTY	01
Finish	Chrome
Includes	72" Tube and hardware

Holds 4 Panels

* For (2) 20"x 20" Perline TV Panel and (2) 23"x14" Perline Oval Panel



* Panels sold separately
 – Please specify panels separately, see page 202

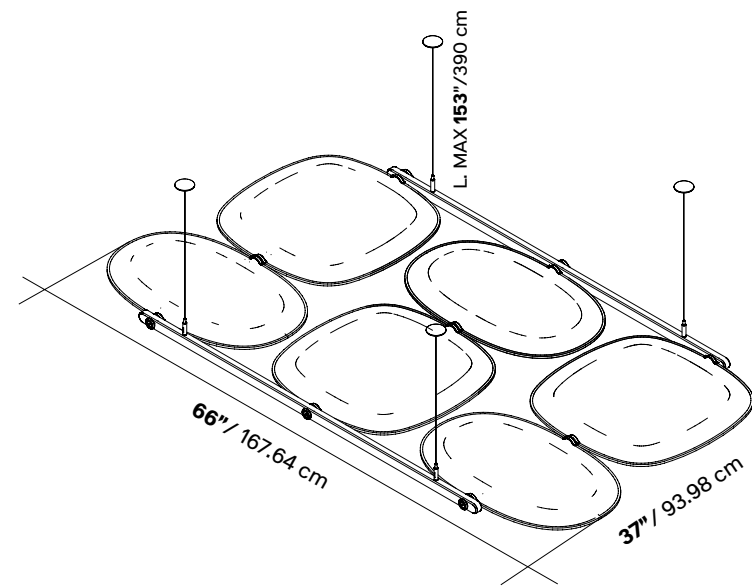
PERLINE

35" CEILING FRAME - HARDWARE ONLY

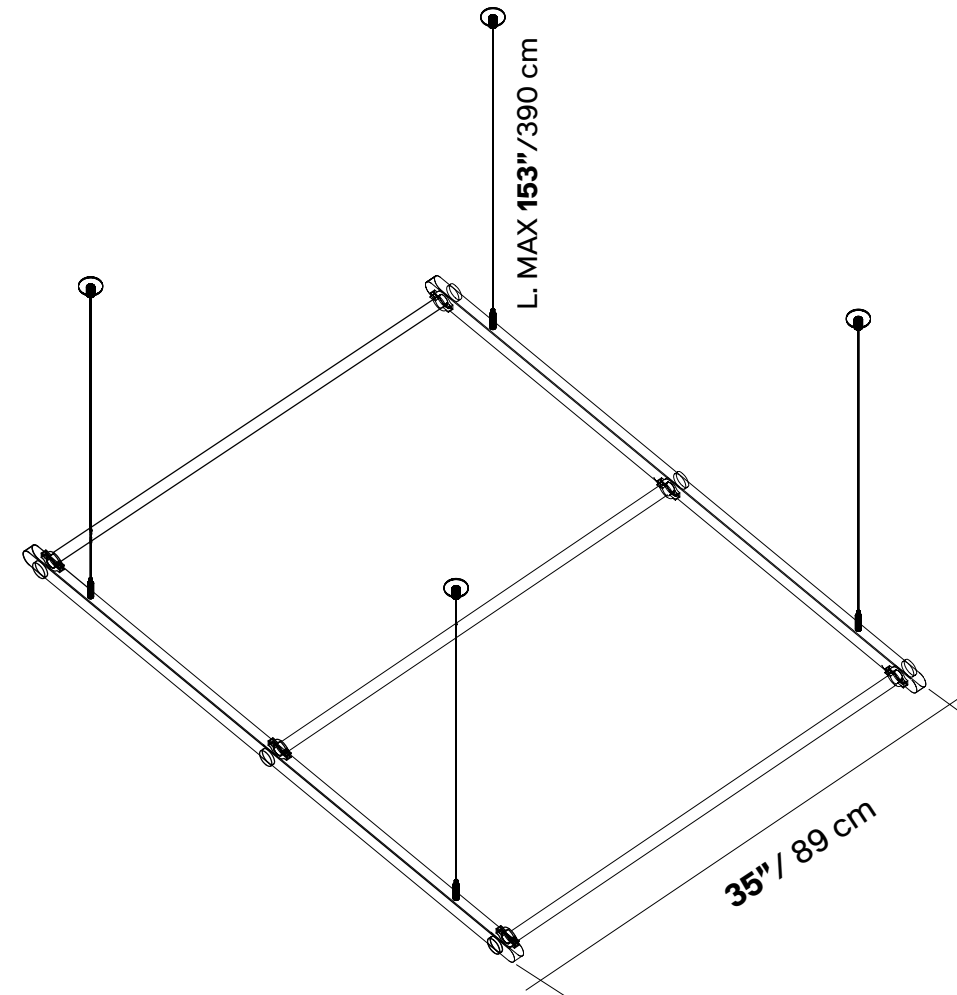
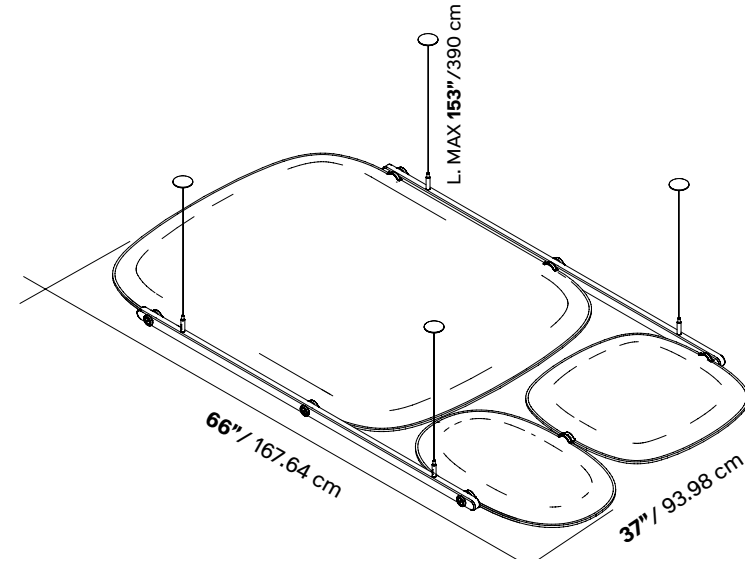
* For ceiling suspended mounting (ceiling mounting screws not included).

Kit includes	03 Cross bars
	02 Rods
	Aircraft cable
	Mounting hardware
Part No	40051048
QTY	01
Finish	Chrome

* Holds (3) 20"x 20" Perline TV Panels and (3) 23"x14" Perline Oval Panels

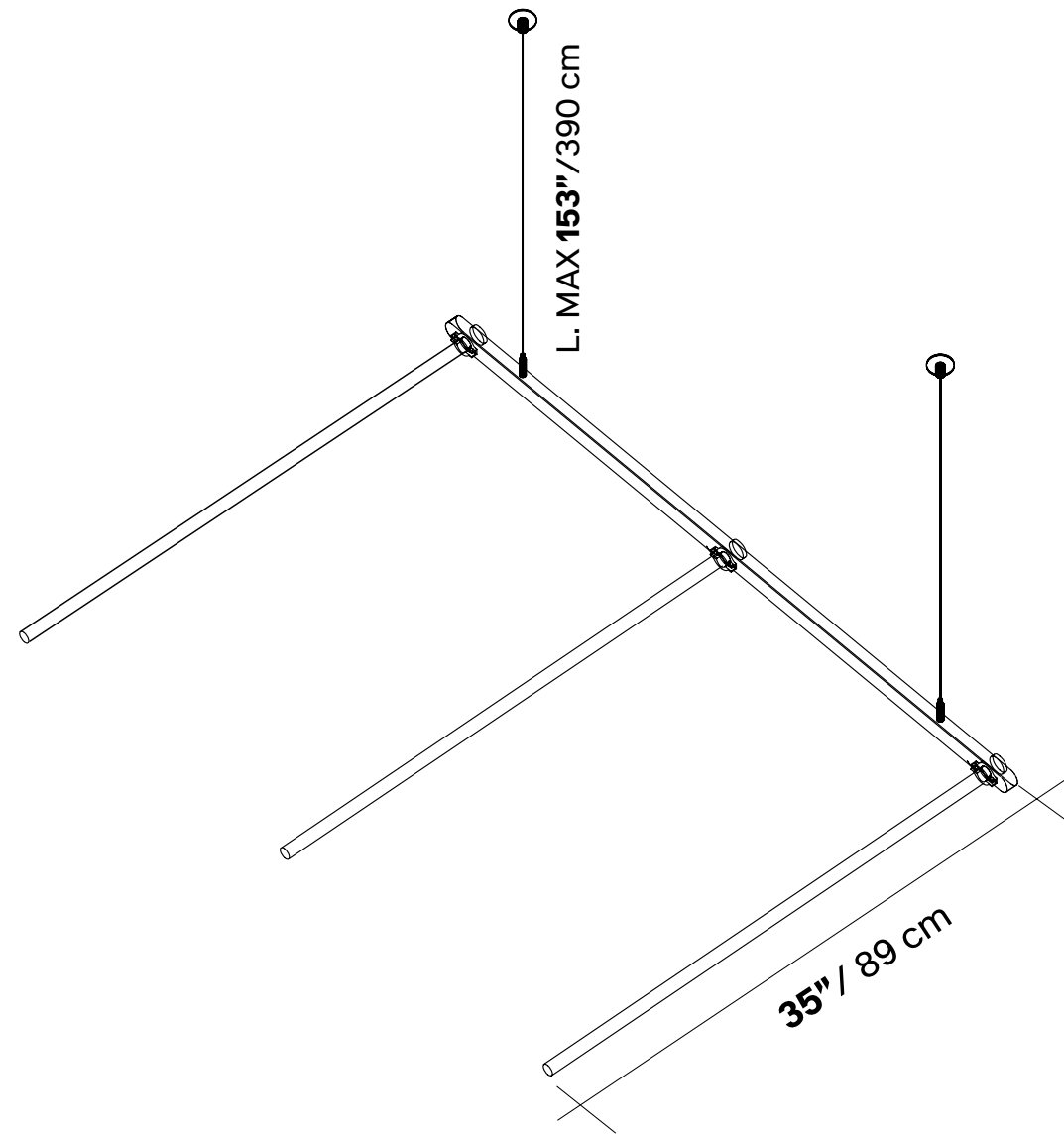


* Holds (1) 20"x 20" Perline TV Panel, (1) 23"x 14" Perline Oval Panel, and (1) 45" x 35" Perline Medium Panel



* Panels sold separately
 – Please specify panels separately, see page 202

PERLINE



35" ADD-ON FRAME - HARDWARE ONLY

* For direct surface mounting on ceiling (ceiling mounting screws not included).

Kit includes	03 Cross bars
	01 Rods
	Aircraft cable
	Mounting hardware
Part No	40051067
QTY	01
Finish	Chrome

* Panels sold separately
– Please specify panels separately, see page 202

PERLINE

47" CEILING FRAME - HARDWARE ONLY

* For direct surface mounting on ceiling (ceiling mounting screws not included).

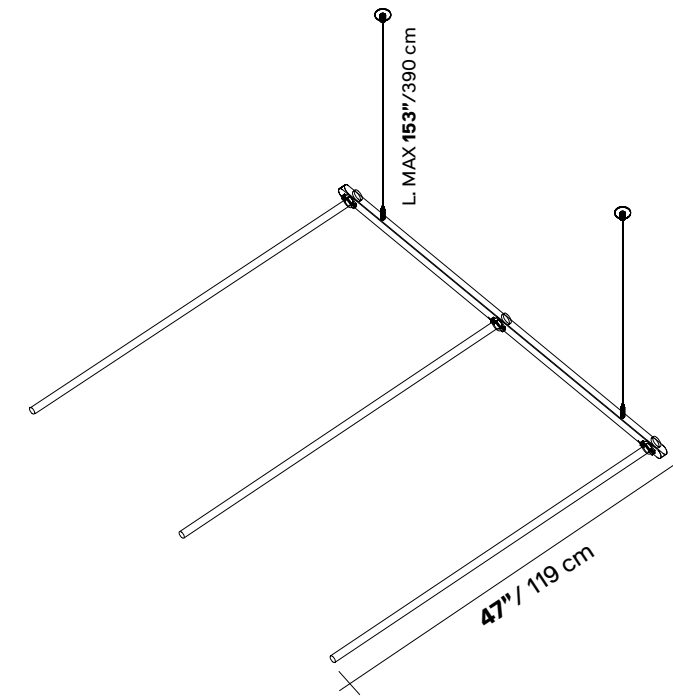
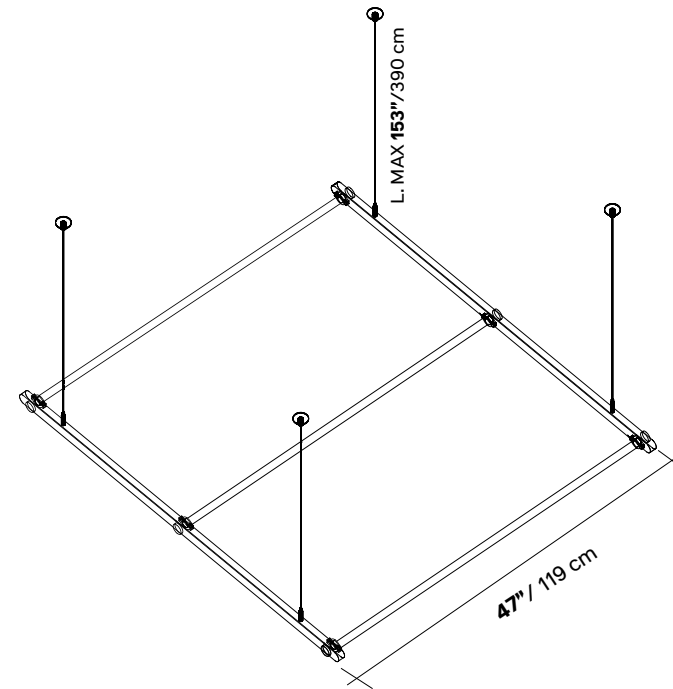
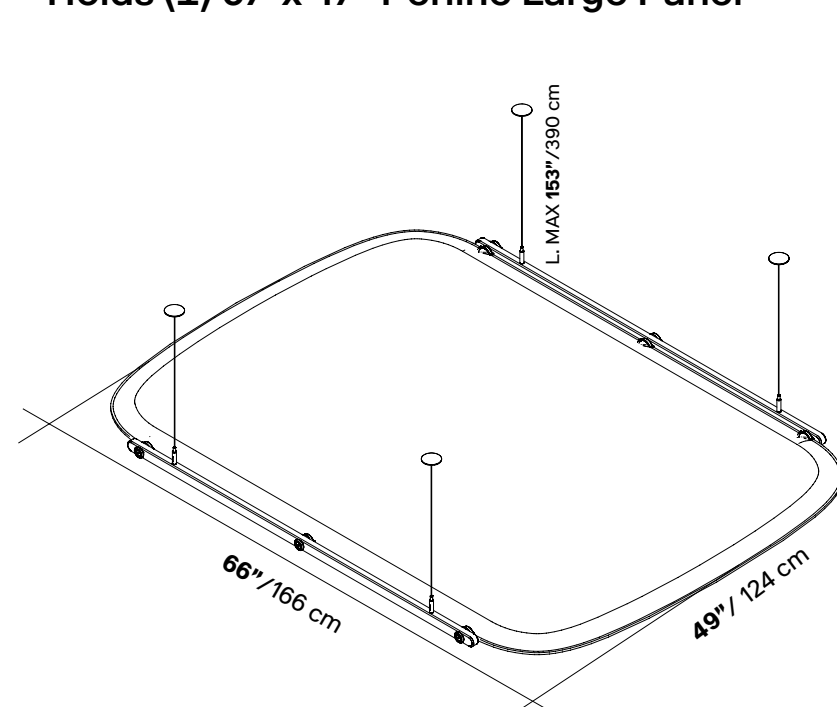
Kit includes	03 Cross bars
	02 Rods
	Aircraft Cable
	Mounting Hardware
Part No	40051050
QTY	01
Finish	Chrome

47" ADD-ON FRAME - HARDWARE ONLY

* For direct surface mounting on ceiling (ceiling mounting screws not included).

Kit includes	03 Cross bars
	01 Rods
	Aircraft Cable
	Mounting Hardware
Part No	40051068
QTY	01
Finish	Chrome

* Holds (1) 67"x 47" Perline Large Panel



* Panels sold separately
 – Please specify panels separately, see page 202

PERLINE

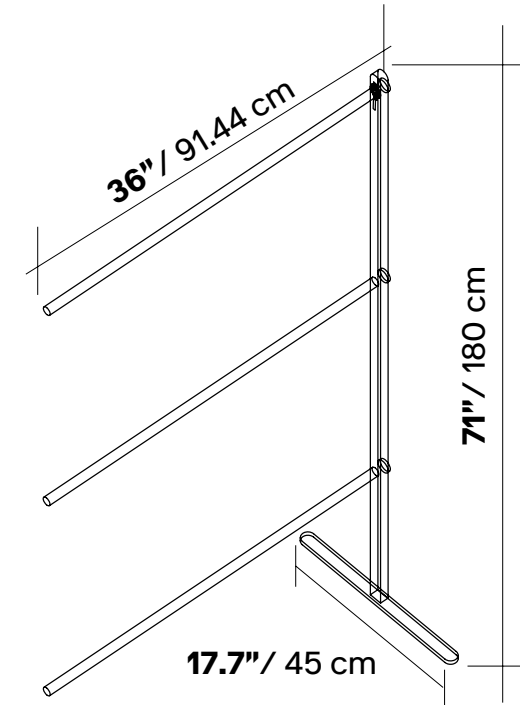
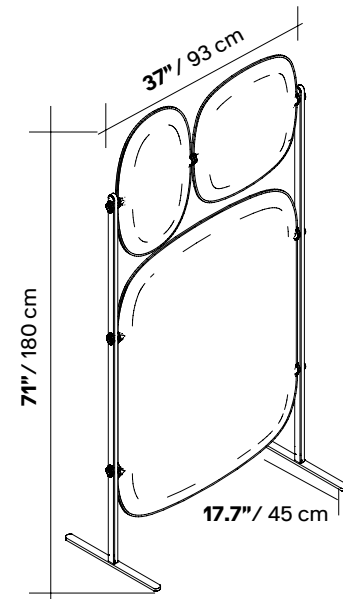
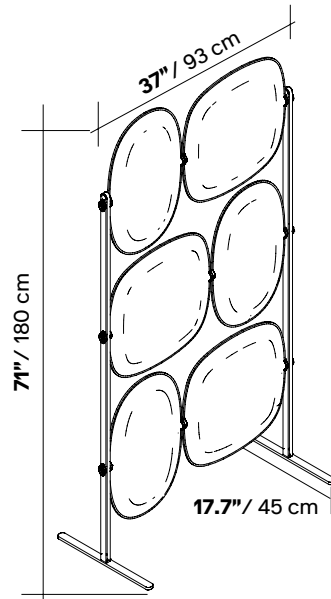
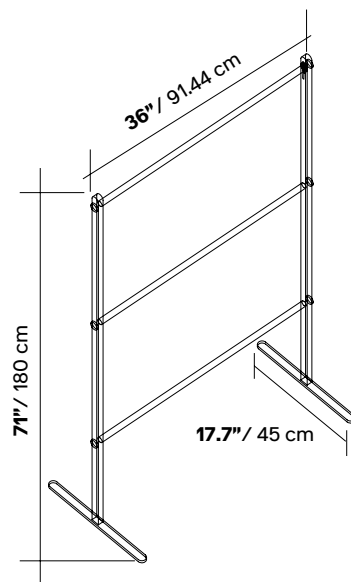
36" STARTER DIVIDER SCREEN - HARDWARE ONLY

Finish	Part No	Qty	Kit includes
Matte Black	40051028	01	02 Lateral Uprights 03 Connecting Pipes
Matte White	40051031	01	
Metallic Sand	40051034	01	

36" ADD-ON FRAME - HARDWARE ONLY

Finish	Part No	Qty	Kit includes
Matte Black	40051070	01	01 Lateral Uprights 03 Connecting Pipes
Matte White	40051071	01	
Metallic Sand	40051072	01	

* Holds (3) 20"x 20" Perline TV Panels or (3) 23"x14" Perline Oval Panels. Next frame holds (1) 20"x 20" Perline TV Panel, (1) 23"x14" Perline Oval Panel, and (1) 45" x 35" Perline Medium Panel.



* Panels sold separately
– Please specify panels separately, see page 202

PERLINE

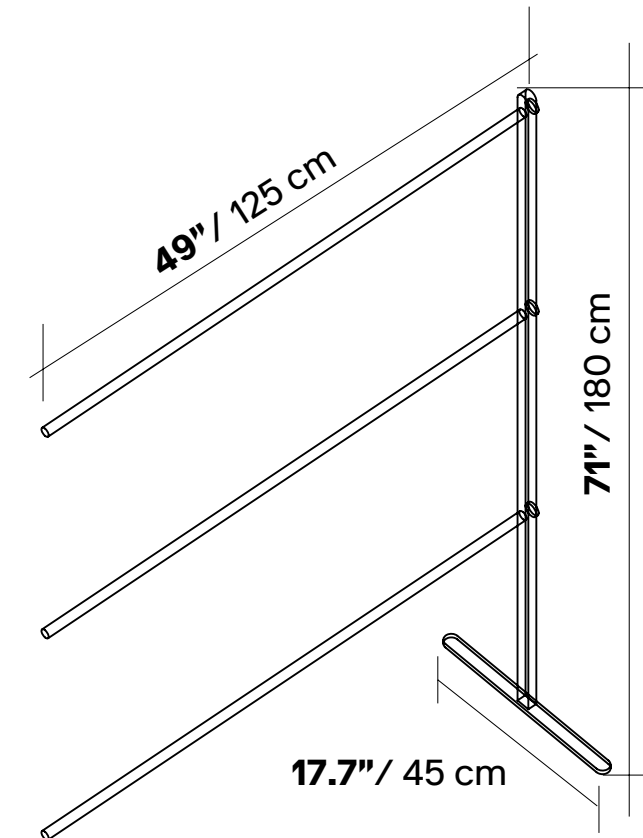
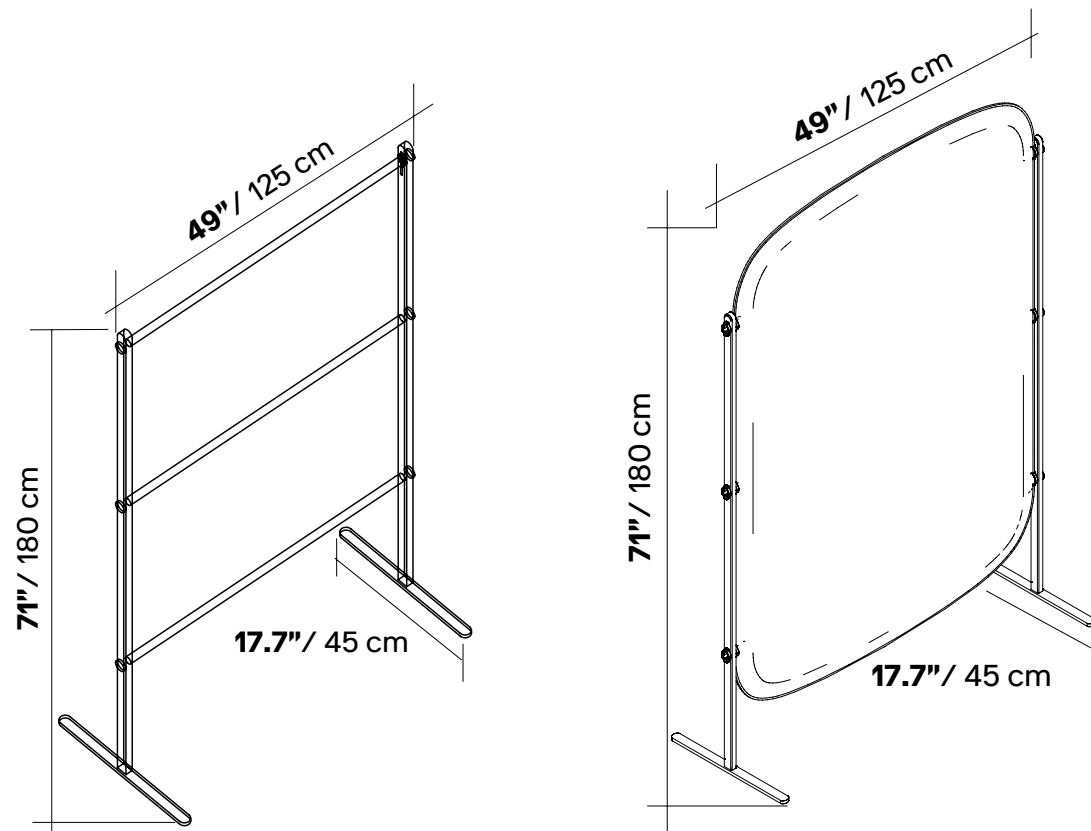
49" STARTER DIVIDER SCREEN - HARDWARE ONLY

Finish	Part No	Qty	Kit includes
Matte Black	40051036	01	02 Lateral Uprights 03 Connecting Pipes
Matte White	40051037	01	
Metallic Sand	40051038	01	

49" ADD-ON FRAME - HARDWARE ONLY

Finish	Part No	Qty	Kit includes
Matte Black	40051061	01	01 Lateral Uprights 03 Connecting Pipes
Matte White	40051062	01	
Metallic Sand	40051063	01	

* Holds (1) 67"x 47" Perline Large Panel



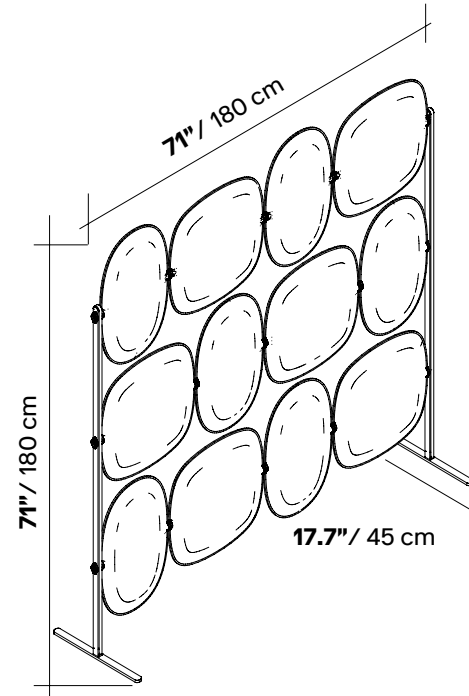
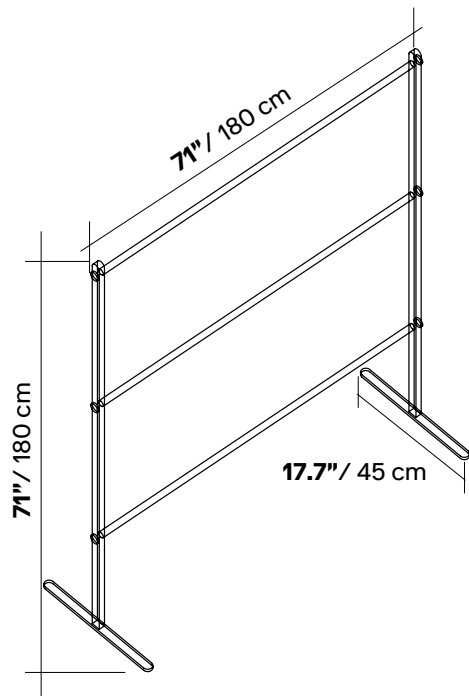
* Panels sold separately
– Please specify panels separately, see page 202

PERLINE

70" DIVIDER SCREEN - HARDWARE ONLY

Finish	Part No	Qty	Kit includes
Matte Black	40051040	01	02 Lateral Uprights 03 Connecting Pipes
Matte White	40051041	01	
Metallic Sand	40051042	01	

* Holds (6) 20"x 20" Perline TV Panels & (6) 23"x14" Perline Oval Panels.



* Panels sold separately
– Please specify panels separately, see page 202

PLI OVER



PLI OVER

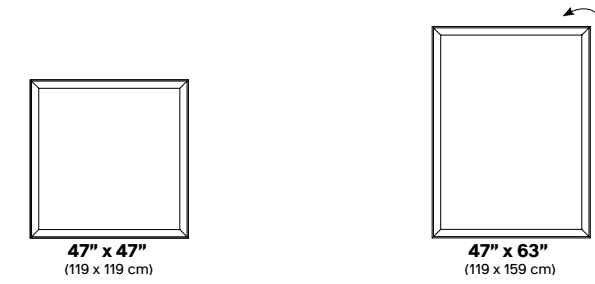
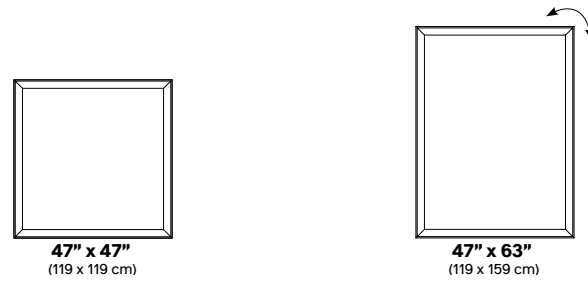


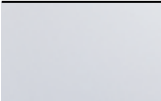

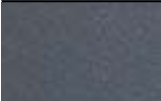

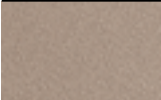




The PLI OVER partitions and dividers, equipped with Snowsound technology, are available in self-supporting versions or with bases fitted with locking casters, providing utmost flexibility of movement.






Specs	Polyester internal padding with Snowsound technology, polyester covering in Trevira CS® fabric
	Single material and 100% recyclable
	Eco friendly – Greenguard Gold
	Durable, tackable double-sided surface
	Patented variable density composition
	Class A sound absorption with NRC 1.0 (ISO 354/ASTM C423/ISO 11654)
	Absorbs 94% of human speech frequencies
	Class A fire and smoke safety (UL 723/ASTM E84)
	CAL 133, 117 pass
	Sleek profile at only 1.4” thick
	Freestanding
Design	Marc Sadler

PLI OVER PANELS

Call your representative for stock levels and availability



	Color	Part No	Part No
	White	40025042	40025045
	Silver Gray	40025043	40025046
	Charcoal Gray	40025082	40025080
	Slate Blue	40025299	40025300
	Beige	40025313**	40025314**
	Dove Gray	40025044**	40025047**
	Sun Yellow	40025316**	40025240**
	Carrot Orange	40025311**	40025241**
	Red	40025315**	40025284**

	Color	Part No	Part No
	Rustic Brick	40025291**	40025292**
	Olive Green	40025318**	40025319**
	Dark Teal	40025307**	40025308**
	Cool White	40025309**	40025310**
	Black	40025733**	40025734**
		Special Order Color MOQ: 18	Special Order Color MOQ: 18

** Extended lead time
 Extended lead time colors require: up to 10–12 weeks
 For larger swatches & full color options, please refer to pages 32–34.

Panels available in special order colors. Special order colors require:
 – MOQ varies from size to size
 – Lead time up to 14–16 weeks
 – +10% Custom service fee

PLI OVER PANELS

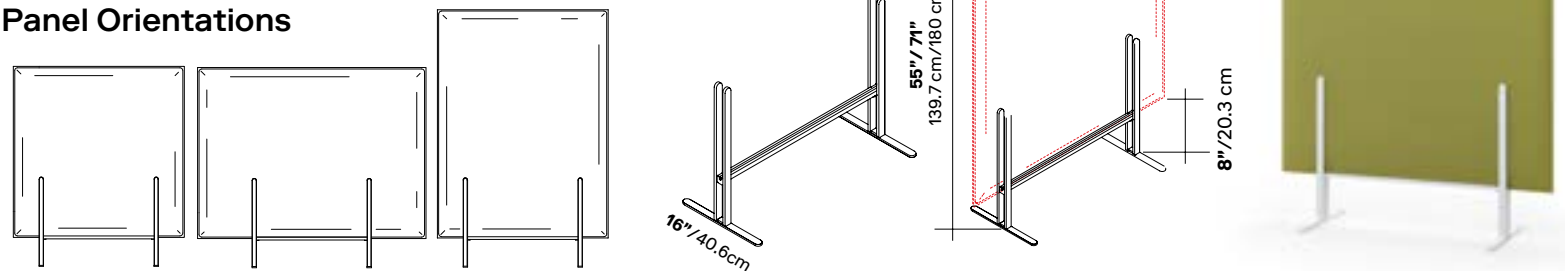
FREESTANDING - BASE STAND



Panels	Holds both sizes	Holds both sizes	Holds both sizes
Part No	40025252	40025253	40025254
QTY	01	01	01
Finish	Silver Gray	Matte White	Matte Black

Kit includes	02 Connection straps
	02 Support feet

Panel Orientations



*Measurement is the panel orientation in the base from top of panel to floor (panel being placed horizontal or vertical).

* Panels sold separately – Please choose panels on page 213.

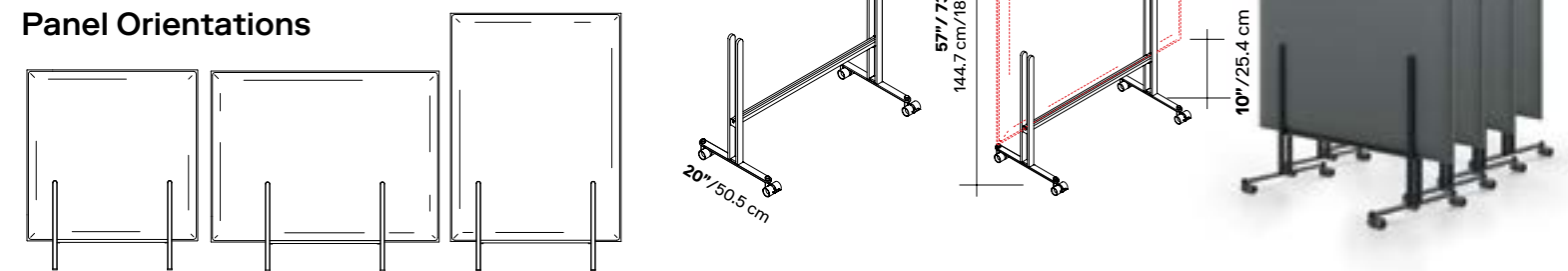
CASTERS - STAND WITH LOCKING CASTERS



Panel Size	Holds both sizes	Holds both sizes	Holds both sizes
Part No	40021133	40021134	40021135
QTY	01	01	01
Finish	Silver Gray	Matte White	Matte Black

Kit includes	01 Support Base
	02 Support Feet

Panel Orientations



*Measurement is the panel orientation in the base from top of panel to floor (panel being placed horizontal or vertical).

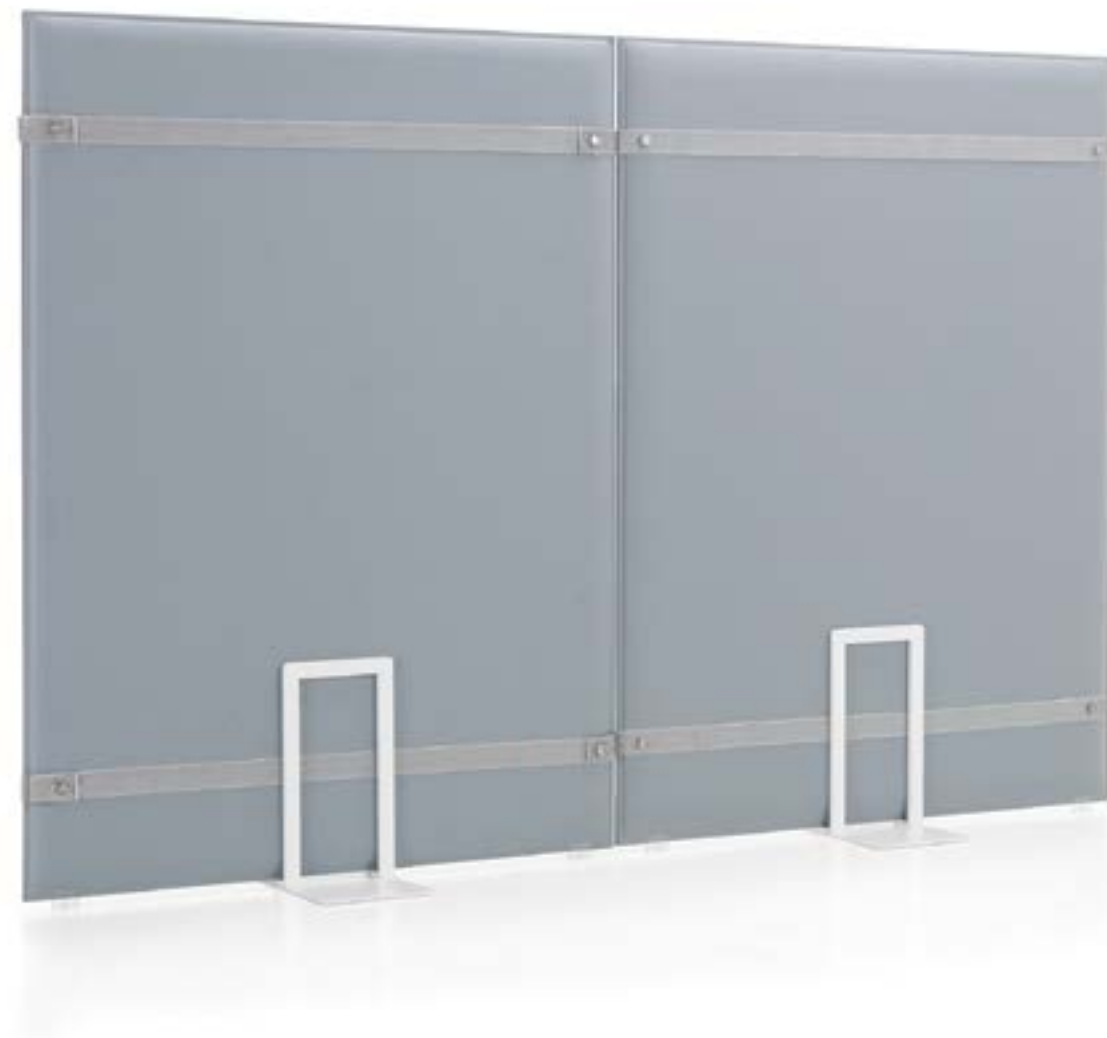
* Panels sold separately – Please choose panels on page 213.

PLI OVERSIZE



PLI OVERSIZE

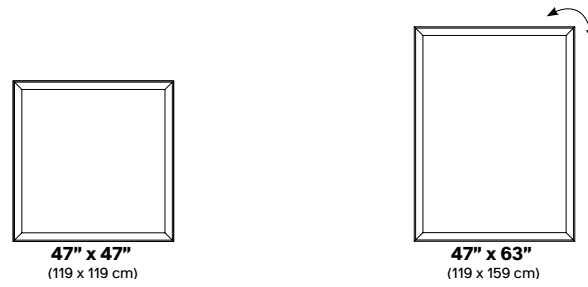
The PLI OVERSIZE system is characterized by large-size acoustic panels crafted with Snowsound® technology. These panels serve as double-sided free-standing partitions with a 1.0 NRC (Noise Reduction Coefficient).

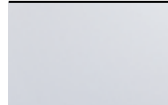



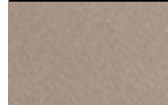






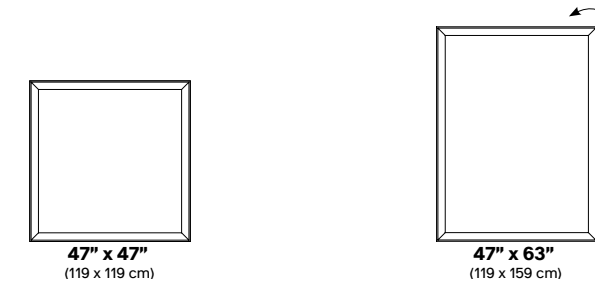
Specs	Polyester internal padding with Snowsound technology, polyester covering in Trevira CS® fabric
	Single material and 100% recyclable
	Eco friendly – Greenguard Gold
	Durable, tackable double-sided surface
	Patented variable density composition
	Class A sound absorption with NRC 1.0 (ISO 354/ASTM C423/ISO 11654)
	Absorbs 94% of human speech frequencies
	Class A fire and smoke safety (UL 723/ASTM E84)
	CAL 133, 117 pass
	Sleek profile at only 1.4” thick
	Freestanding
Design	Marc Sadler




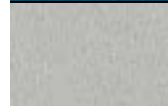

PLI OVERSIZE PANELS

Call your representative for stock levels and availability



	Color	Part No	Part No
	White	40025042	40025045
	Silver Gray	40025043	40025046
	Charcoal Gray	40025082	40025080
	Slate Blue	40025299	40025300
	Beige	40025313**	40025314**
	Dove Gray	40025044**	40025047**
	Sun Yellow	40025316**	40025240**
	Carrot Orange	40025311**	40025241**
	Red	40025315**	40025284**



	Color	Part No	Part No
	Rustic Brick	40025291**	40025292**
	Olive Green	40025318**	40025319**
	Dark Teal	40025307**	40025308**
	Cool White	40025309**	40025310**
	Black	40025733**	40025734**
		Special Order Color MOQ: 18	Special Order Color MOQ: 18

** Extended lead time

Extended lead time colors require: up to 10–12 weeks

For larger swatches & full color options, please refer to pages 32–34.

Please specify panel stand separately refer to page 218

Panels available in special order colors. Special order colors require:

– MOQ varies from size to size

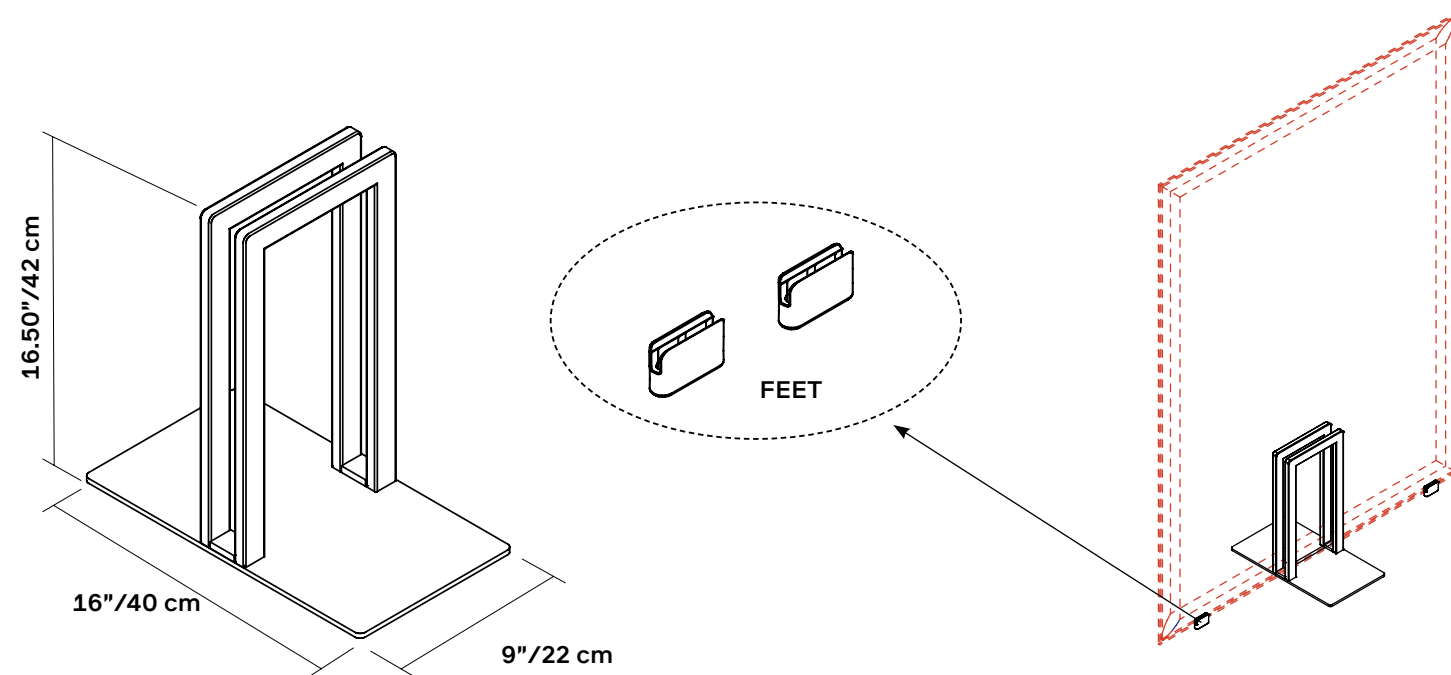
– Lead time up to 14–16 weeks

– +10% Custom service fee

PLI OVERSIZE

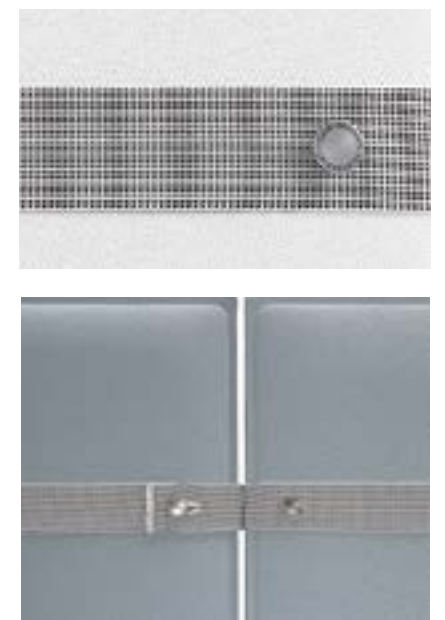
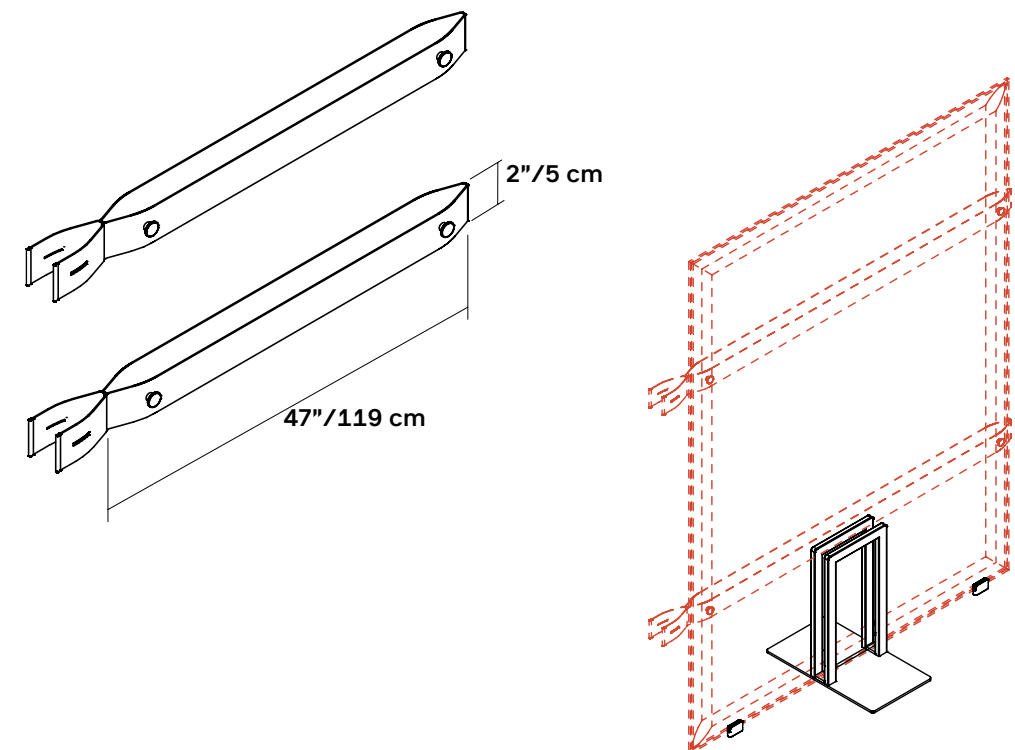
STAND - HARDWARE ONLY

Panels	Holds both sizes	Holds both sizes
Part No	40025123	40025122
QTY	01 Stand, 02 Feet	01 Stand, 02 Feet
Finish	Silver Gray	Matte White



STRAPS - OPTIONAL

Panels	Holds both sizes
Part No	40025133
QTY	01 Set
Finish	Silver



Silver

* Panels sold separately
 – Please choose panels on page 217

PLI



PLI

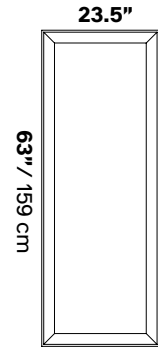
The PLI panel features polyester internal padding with Snowsound® technology variable density and is covered in Trevira CS® fabric. It is designed to be used with a pair of elastic straps for connecting multiple panels together.



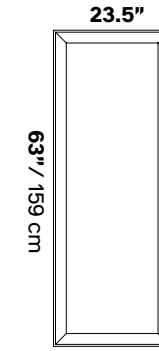
Specs	Polyester internal padding with Snowsound technology, polyester covering in Trevira CS® fabric
	Single material and 100% recyclable
	Eco friendly – Greenguard Gold
	Durable, tackable double-sided surface
	Patented variable density composition
	Class A sound absorption with NRC 1.0 (ISO 354/ASTM C423/ISO 11654)
	Absorbs 94% of human speech frequencies
	Class A fire and smoke safety (UL 723/ASTM E84)
	CAL 133, 117 pass
	Sleek profile at only 1.4” thick
	Freestanding
Design	Marc Sadler

PLI PANELS

Call your representative for stock levels and availability



Color	Part No
White	40025002
Silver Gray	40025001
Charcoal Gray	40025003
Slate Blue	40025295
Beige	40020055
Dove Gray	40025004
Sun Yellow	40020056**
Carrot Orange	40025006
Red	40020057



Color	Part No
Rustic Brick	40025287**
Olive Green	40020058
Dark Teal	40025303**
Cool White	40025664**
Blue	40025005

Special Order Color
MOQ: 50

** Extended lead time
Extended lead time colors require: up to 10–12 weeks
For larger swatches & full color options, please refer to pages 32–34.

Panels available in special order colors. Special order colors require:
– MOQ varies from size to size,
– Lead time up to 14–16 weeks
– +10% Custom service fee

PLI PANELS




Kit includes

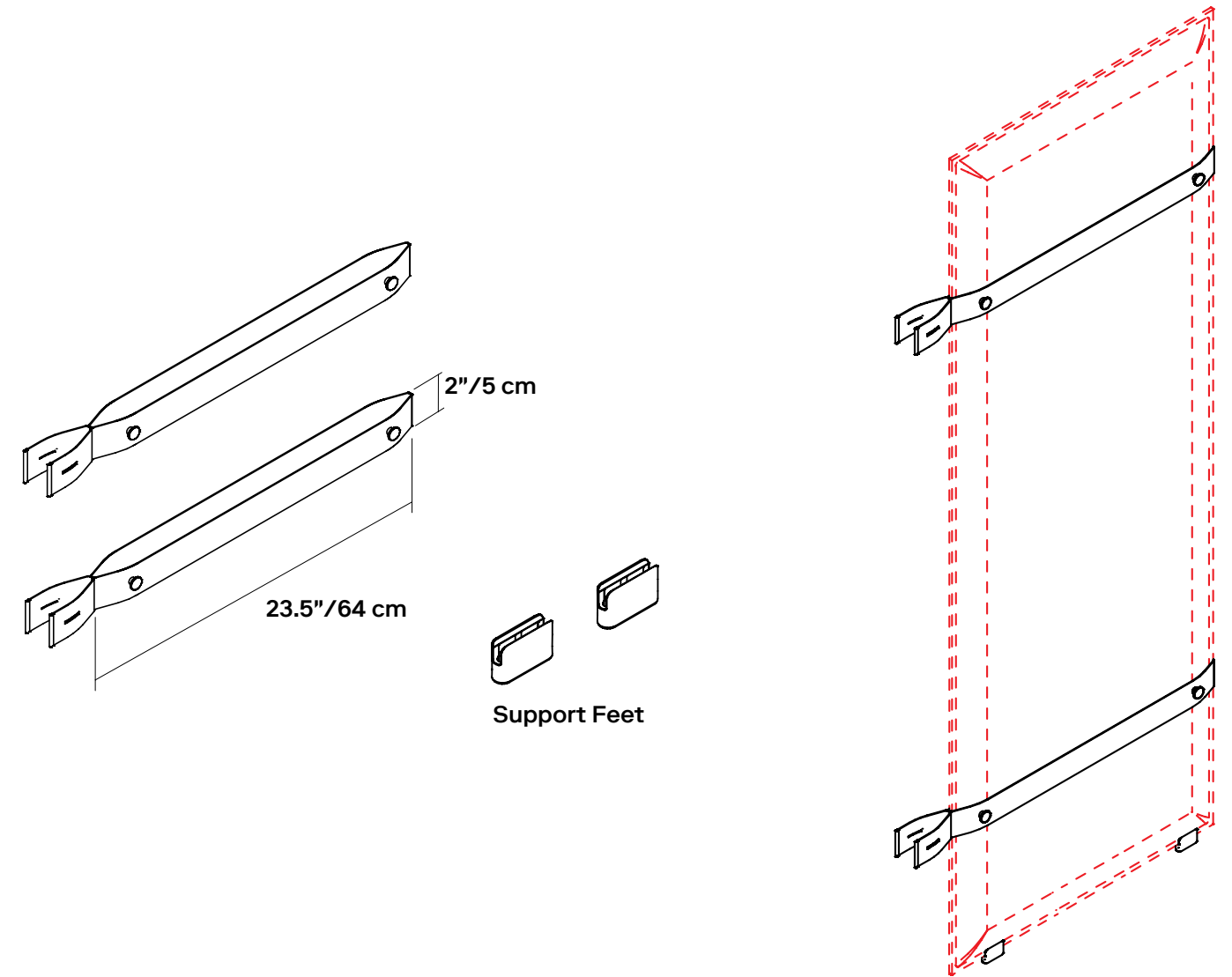
02 Connection straps

02 Support feet

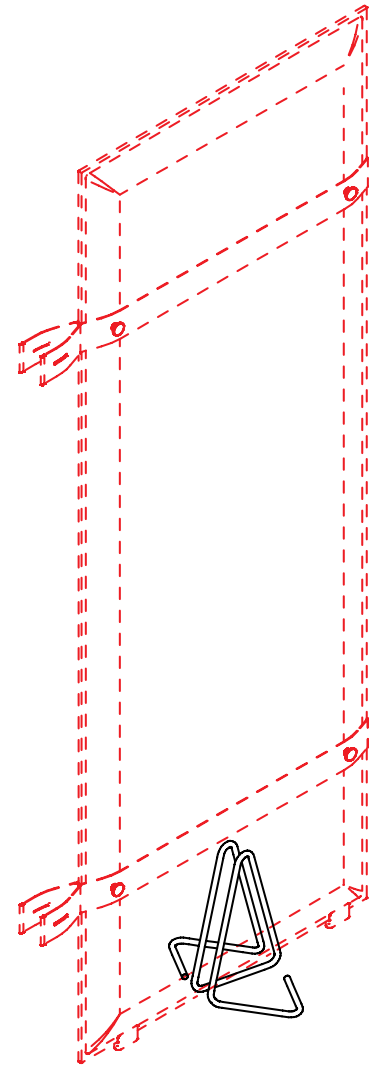
CONNECTION STRAPS - PAIR

Each set of connection straps and support feet are for 1 PLI panel

	Finish	Panels	Part No	Qty
	Black	23.5" x 63"	40025135	01 Set
	Silver	23.5" x 63"	40025134	01 Set
	Brown	23.5" x 63"	40025136	01 Set



PLI PANELS

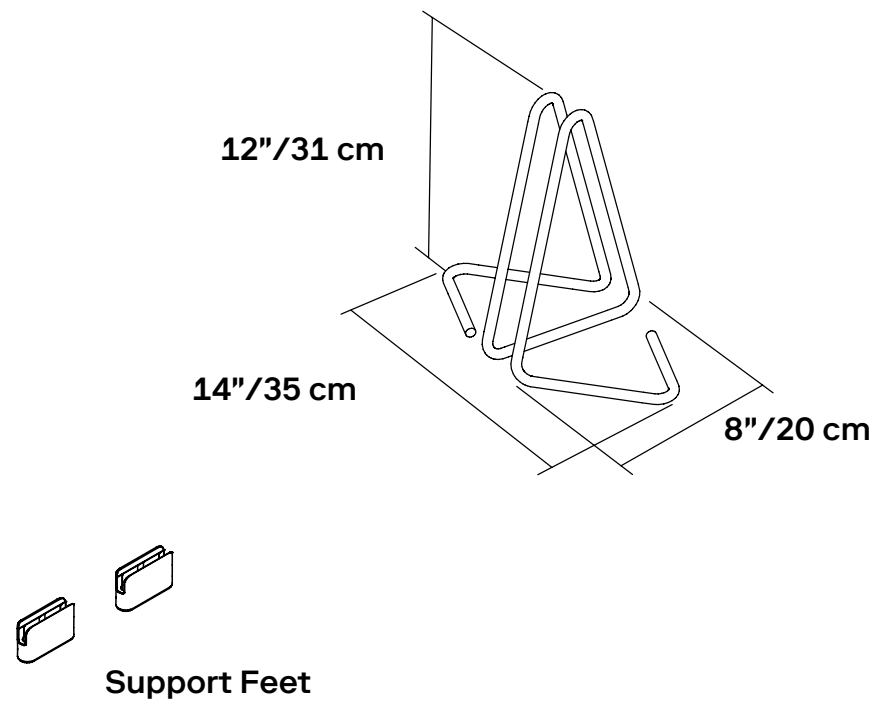


SUPPORT BASE - BASE ONLY

Base and support feet are for 1 PLI panel

Panel Size	23.5" x 63"
Part No	40024029
QTY	01
Finish	Chrome

Kit includes	01 Support Base
	02 Support Feet

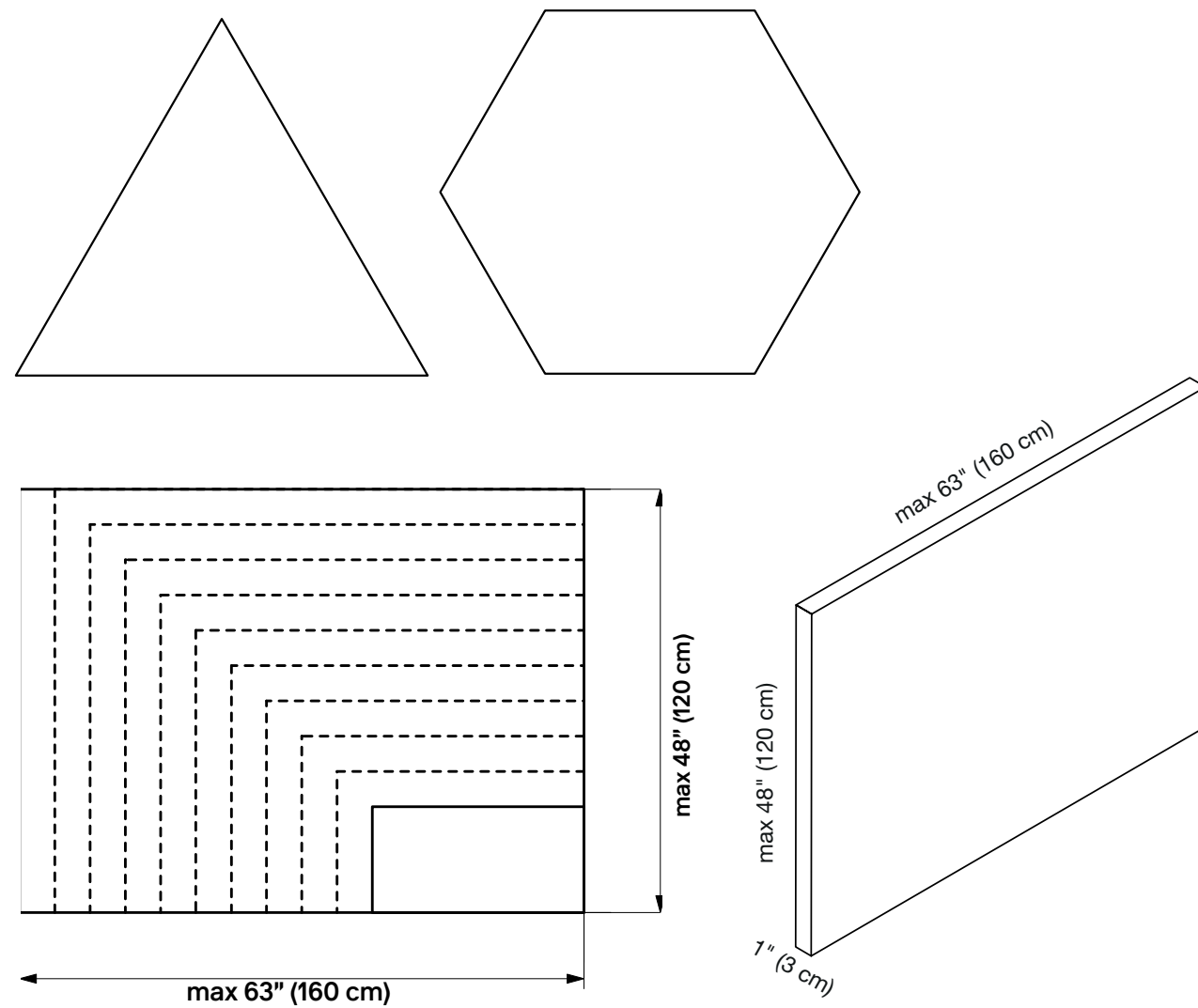


SNOWCUSTOM



SNOWCUSTOM

SNOWCUSTOM panels are made of variable-density polyester fiber covered in Snowsound-Fiber 3 Melange fabric. With a wide range of sizes and finishes available, these panels can cater to various aesthetic and architectural needs. They are available in both wall and ceiling versions.



For all sizes, shapes and colors outside of this product page and chart on page 3, please contact our sales department for a quote at: info@snowsoundusa.com

SNOWSOUND

Specs	Single material and 100% recyclable
	Eco friendly – Greenguard Gold
	Class A sound absorption with (ISO 354)
	Machine washable up to 140 degrees F.
	Class A fire and smoke safety (UL 723/ASTM E84)
	CAL 133, 117 pass
Design	Wall mounted
	Ceiling suspended
	SNOWSOUND Lab



SNOWCUSTOM can be supplied with radio frequency reduction fabric. Please add 40% on panel price.

See page 403 for more information.

SNOWCUSTOM AVAILABLE SWATCHES: FIBER 0



Cool White

8002



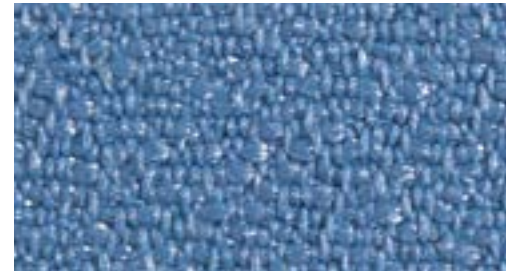
Silver Gray

8004



Charcoal Gray

8007



Slate Blue

6046



Olive Green

7004



Beige

1008

Please note: Swatch memo samples available upon request. Custom order: Lead time 12–14 weeks (month of august excluded)

FIBER 0 PANEL ITEM NUMBERS & DIMENSIONS

When ordering, please specify item # and color of choice on pg 163 (Example: Panel Size 48x48, Color 8002, you then order: 7SC120120-F0, COLOR 305)

The gray highlighted items can be fixed to the wall and ceiling. All other items can be only be fixed to the wall.

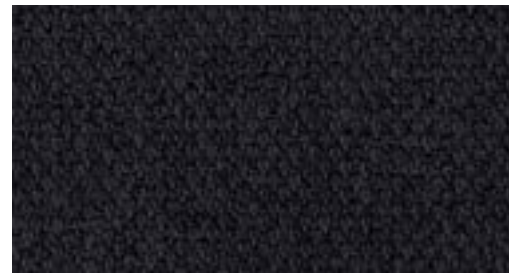
The snowcustom grid is for pricing reference. For sizes in between column and row headings, use the next size up, but specify your exact size. For all sizes, shapes and colors outside of this product page and chart on page 3 please contact our sales department for a quote at: info@snowsoundusa.com

	40cm/15"	50cm/19"	60cm/23"	70cm/27"	80cm/31"	90cm/35"	100cm/39"	110cm/43"	120cm/47"	130cm/51"	140cm/55"	150cm/59"	160cm/63"
40cm/ 15"					7SC4080-F0	7SC4090-F0	7SC40100-F0	7SC40110-F0	7SC40120-F0	7SC40130-F0	7SC40140-F0	7SC40150-F0	7SC40160-F0
50cm/ 19"					7SC5080-F0	7SC5090-F0	7SC50100-F0	7SC50110-F0	7SC50120-F0	7SC50130-F0	7SC50140-F0	7SC50150-F0	7SC50160-F0
60cm/ 23"				7SC6070-F0	7SC6080-F0	7SC6090-F0	7SC60100-F0	7SC60110-F0	7SC60120-F0	7SC60130-F0	7SC60140-F0	7SC60150-F0	7SC60160-F0
70cm/ 27"			7SC6070-F0	7SC7070-F0	7SC7080-F0	7SC7090-F0	7SC70100-F0	7SC70110-F0	7SC70120-F0	7SC70130-F0	7SC70140-F0	7SC70150-F0	7SC70160-F0
80cm/ 31"	7SC4080-F0	7SC5080-F0	7SC6080-F0	7SC7080-F0	7SC8080-F0	7SC8090-F0	7SC80100-F0	7SC80110-F0	7SC80120-F0	7SC80130-F0	7SC80140-F0	7SC80150-F0	7SC80160-F0
90cm/ 35"	7SC4090-F0	7SC5090-F0	7SC6090-F0	7SC7090-F0	7SC8090-F0	7SC9090-F0	7SC90100-F0	7SC90110-F0	7SC90120-F0	7SC90130-F0	7SC90140-F0	7SC90150-F0	7SC90160-F0
100cm/ 39"	7SC40100-F0	7SC50100-F0	7SC60100-F0	7SC70100-F0	7SC80100-F0	7SC90100-F0	7SC100100-F0	7SC100110-F0	7SC100120-F0	7SC100130-F0	7SC100140-F0	7SC100150-F0	7SC100160-F0
110cm/ 43"	7SC40110-F0	7SC50110-F0	7SC60110-F0	7SC70110-F0	7SC80110-F0	7SC90110-F0	7SC100110-F0	7SC110110-F0	7SC110120-F0	7SC110130-F0	7SC110140-F0	7SC110150-F0	7SC110160-F0
120cm/ 47"	7SC40120-F0	7SC50120-F0	7SC60120-F0	7SC70120-F0	7SC80120-F0	7SC90120-F0	7SC100120-F0	7SC110120-F0	7SC120120-F0	7SC120130-F0	7SC120140-F0	7SC120150-F0	7SC120160-F0
130cm/ 51"	7SC40130-F0	7SC50130-F0	7SC60130-F0	7SC70130-F0	7SC80130-F0	7SC90130-F0	7SC100130-F0	7SC110130-F0	7SC120130-F0				
140cm/ 55"	7SC40140-F0	7SC50140-F0	7SC60140-F0	7SC70140-F0	7SC80140-F0	7SC90140-F0	7SC100140-F0	7SC110140-F0	7SC120140-F0				
150cm/ 59"	7SC40150-F0	7SC50150-F0	7SC60150-F0	7SC70150-F0	7SC80150-F0	7SC90150-F0	7SC100150-F0	7SC110150-F0	7SC120150-F0				
160cm/ 63"	7SC40160-F0	7SC50160-F0	7SC60160-F0	7SC70160-F0	7SC80160-F0	7SC90160-F0	7SC100160-F0	7SC110160-F0	7SC120160-F0				

SNOWCUSTOM AVAILABLE SWATCHES: FIBER 3 MELANGE



Gray Ice 300



Anthracite 302



Gray Taupe 303



Gray Beige 304



Azure 305



Gray Burgundy 306



Gray Plum 307



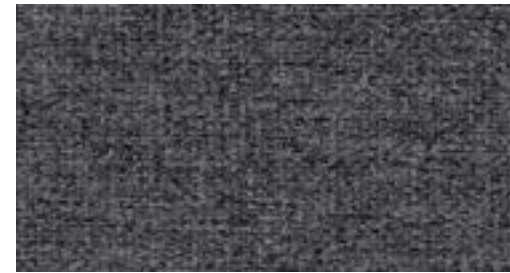
Gray Blue 308



Gray Green 309



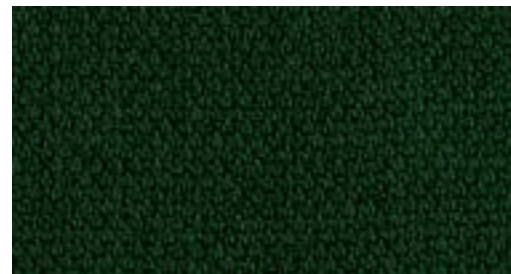
Gray Gold 310



Carbon Gray 311



Patina 312



Evergreen 313



Admiral Blue 314



Fiji 315



Ivory** 316

** New swatches

FIBER 3 MELANGE PANEL ITEM NUMBERS & DIMENSIONS

When ordering, please specify item # and color of choice on pg 163 (Example: Panel Size 48x48, Color 305, you then order: 7SC120120-F3, COLOR 305)

The gray highlighted items can be fixed to the wall and ceiling. All other items can be only be fixed to the wall.

The snowcustom grid is for pricing reference. For sizes in between column and row headings, use the next size up, but specify your exact size. For all sizes, shapes and colors outside of this product page and chart on page 3 please contact our sales department for a quote at: info@snowsoundusa.com

	40cm/15"	50cm/19"	60cm/23"	70cm/27"	80cm/31"	90cm/35"	100cm/39"	110cm/43"	120cm/47"	130cm/51"	140cm/55"	150cm/59"	160cm/63"
40cm/ 15"					7SC4080-F3	7SC4090-F3	7SC40100-F3	7SC40110-F3	7SC40120-F3	7SC40130-F3	7SC40140-F3	7SC40150-F3	7SC40160-F3
50cm/ 19"					7SC5080-F3	7SC5090-F3	7SC50100-F3	7SC50110-F3	7SC50120-F3	7SC50130-F3	7SC50140-F3	7SC50150-F3	7SC50160-F3
60cm/ 23"				7SC6070-F3	7SC6080-F3	7SC6090-F3	7SC60100-F3	7SC60110-F3	7SC60120-F3	7SC60130-F3	7SC60140-F3	7SC60150-F3	7SC60160-F3
70cm/ 27"			7SC6070-F3	7SC7070-F3	7SC7080-F3	7SC7090-F3	7SC70100-F3	7SC70110-F3	7SC70120-F3	7SC70130-F3	7SC70140-F3	7SC70150-F3	7SC70160-F3
80cm/ 31"	7SC4080-F3	7SC5080-F3	7SC6080-F3	7SC7080-F3	7SC8080-F3	7SC8090-F3	7SC80100-F3	7SC80110-F3	7SC80120-F3	7SC80130-F3	7SC80140-F3	7SC80150-F3	7SC80160-F3
90cm/ 35"	7SC4090-F3	7SC5090-F3	7SC6090-F3	7SC7090-F3	7SC8090-F3	7SC9090-F3	7SC90100-F3	7SC90110-F3	7SC90120-F3	7SC90130-F3	7SC90140-F3	7SC90150-F3	7SC90160-F3
100cm/ 39"	7SC40100-F3	7SC50100-F3	7SC60100-F3	7SC70100-F3	7SC80100-F3	7SC90100-F3	7SC100100-F3	7SC100110-F3	7SC100120-F3	7SC100130-F3	7SC100140-F3	7SC100150-F3	7SC100160-F3
110cm/ 43"	7SC40110-F3	7SC50110-F3	7SC60110-F3	7SC70110-F3	7SC80110-F3	7SC90110-F3	7SC100110-F3	7SC110110-F3	7SC110120-F3	7SC110130-F3	7SC110140-F3	7SC110150-F3	7SC110160-F3
120cm/ 47"	7SC40120-F3	7SC50120-F3	7SC60120-F3	7SC70120-F3	7SC80120-F3	7SC90120-F3	7SC100120-F3	7SC110120-F3	7SC120120-F3	7SC120130-F3	7SC120140-F3	7SC120150-F3	7SC120160-F3
130cm/ 51"	7SC40130-F3	7SC50130-F3	7SC60130-F3	7SC70130-F3	7SC80130-F3	7SC90130-F3	7SC100130-F3	7SC110130-F3	7SC120130-F3				
140cm/ 55"	7SC40140-F3	7SC50140-F3	7SC60140-F3	7SC70140-F3	7SC80140-F3	7SC90140-F3	7SC100140-F3	7SC110140-F3	7SC120140-F3				
150cm/ 59"	7SC40150-F3	7SC50150-F3	7SC60150-F3	7SC70150-F3	7SC80150-F3	7SC90150-F3	7SC100150-F3	7SC110150-F3	7SC120150-F3				
160cm/ 63"	7SC40160-F3	7SC50160-F3	7SC60160-F3	7SC70160-F3	7SC80160-F3	7SC90160-F3	7SC100160-F3	7SC110160-F3	7SC120160-F3				

SNOWCUSTOM AVAILABLE SWATCHES: FIBER 8 BOUCLÉ



Dove Coffee

800



Gray Ice

801



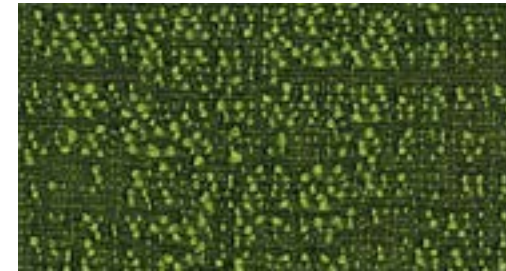
Gray Beige

802



Graphite

803



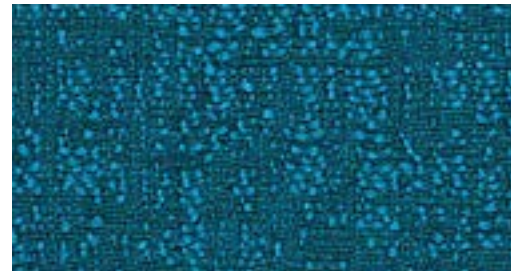
Clover

804



Oxford

805



Syreni Blue

806



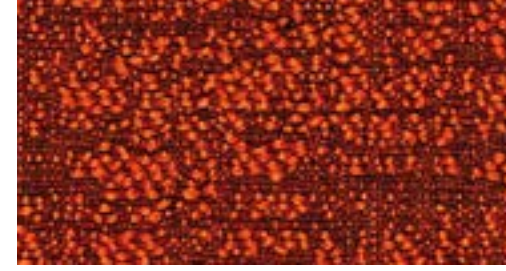
Obsedian

807



Garnet

808



Sandstone

809



Frost**

810



Rhino**

811



Sahara**

812



Yosemite**

813



Arctic**

814



Mint**

815

** New swatches

FIBER 8 BOUCLÉ PANEL ITEM NUMBERS & DIMENSIONS

When ordering, please specify item # and color of choice on pg 164 (Example: Panel Size 48x48, Color 804, you then order: 7SC120120-F8, COLOR 804)

The gray highlighted items can be fixed to the wall and ceiling. All other items can be only be fixed to the wall.

The snowcustom grid is for pricing reference. For sizes in between column and row headings, use the next size up, but specify your exact size. For all sizes, shapes and colors outside of this product page and chart on page 3 please contact our sales department for a quote at: info@snowsoundusa.com

	40cm/15"	50cm/19"	60cm/23"	70cm/27"	80cm/31"	90cm/35"	100cm/39"	110cm/43"	120cm/47"	130cm/51"	140cm/55"	150cm/59"	160cm/63"
40cm/ 15"					7SC4080-F8	7SC4090-F8	7SC40100-F8	7SC40110-F0	7SC40120-F8	7SC40130-F8	7SC40140-F8	7SC40150-F8	7SC40160-F8
50cm/ 19"					7SC5080-F8	7SC5090-F8	7SC50100-F8	7SC50110-F0	7SC50120-F8	7SC50130-F8	7SC50140-F8	7SC50150-F8	7SC50160-F8
60cm/ 23"				7SC6070-F8	7SC6080-F8	7SC6090-F8	7SC60100-F8	7SC60110-F0	7SC60120-F8	7SC60130-F8	7SC60140-F8	7SC60150-F8	7SC60160-F8
70cm/ 27"			7SC6070-F8	7SC7070-F8	7SC7080-F8	7SC7090-F8	7SC70100-F8	7SC70110-F0	7SC70120-F8	7SC70130-F8	7SC70140-F8	7SC70150-F8	7SC70160-F8
80cm/ 31"	7SC4080-F8	7SC5080-F8	7SC6080-F8	7SC7080-F8	7SC8080-F8	7SC8090-F8	7SC80100-F8	7SC80110-F0	7SC80120-F8	7SC80130-F8	7SC80140-F8	7SC80150-F8	7SC80160-F8
90cm/ 35"	7SC4090-F8	7SC5090-F8	7SC6090-F8	7SC7090-F8	7SC8090-F8	7SC9090-F8	7SC90100-F8	7SC90110-F0	7SC90120-F8	7SC90130-F8	7SC90140-F8	7SC90150-F8	7SC90160-F8
100cm/ 39"	7SC40100-F8	7SC50100-F8	7SC60100-F8	7SC70100-F8	7SC80100-F8	7SC90100-F8	7SC100100-F8	7SC100110-F0	7SC100120-F8	7SC100130-F8	7SC100140-F8	7SC100150-F8	7SC100160-F8
110cm/ 43"	7SC40110-F8	7SC50110-F8	7SC60110-F8	7SC70110-F8	7SC80110-F8	7SC90110-F8	7SC100110-F8	7SC110110-F0	7SC110120-F8	7SC110130-F8	7SC110140-F8	7SC110150-F8	7SC110160-F8
120cm/ 47"	7SC40120-F8	7SC50120-F8	7SC60120-F8	7SC70120-F8	7SC80120-F8	7SC90120-F8	7SC100120-F8	7SC110120-F0	7SC120120-F8	7SC120130-F8	7SC120140-F8	7SC120150-F8	7SC120160-F8
130cm/ 51"	7SC40130-F8	7SC50130-F8	7SC60130-F8	7SC70130-F8	7SC80130-F8	7SC90130-F8	7SC100130-F8	7SC110130-F0	7SC120130-F8				
140cm/ 55"	7SC40140-F8	7SC50140-F8	7SC60140-F8	7SC70140-F8	7SC80140-F8	7SC90140-F8	7SC100140-F8	7SC110140-F0	7SC120140-F8				
150cm/ 59"	7SC40150-F8	7SC50150-F8	7SC60150-F8	7SC70150-F8	7SC80150-F8	7SC90150-F8	7SC100150-F8	7SC110150-F0	7SC120150-F8				
160cm/ 63"	7SC40160-F8	7SC50160-F8	7SC60160-F8	7SC70160-F8	7SC80160-F8	7SC90160-F8	7SC100160-F8	7SC110160-F0	7SC120160-F8				

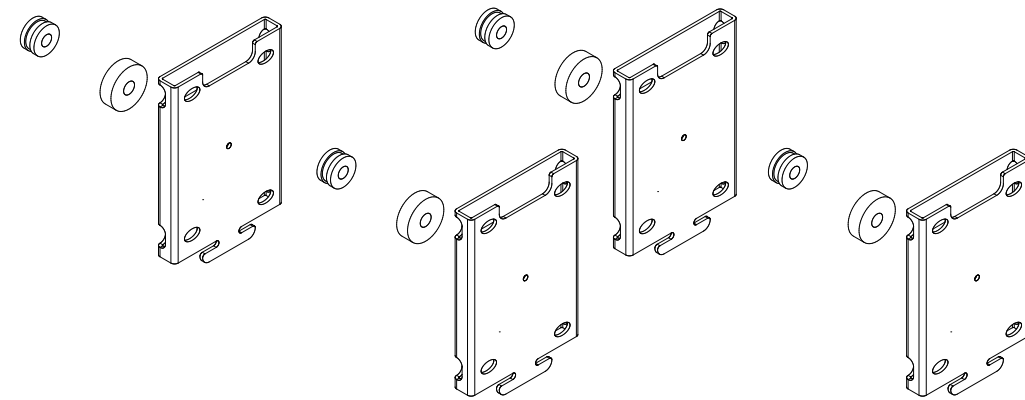
SNOWCUSTOM WALL KITS

4 MAGNETIC WALL MOUNTS

Screws to fasten bracket to wall not included.

* Panels sold separately – For panel sizes up to 31" x 31"

Panel size	Panels sizes up to 31" x 31"
Part No	40025844
QTY	Set of 4
Finish	Steel

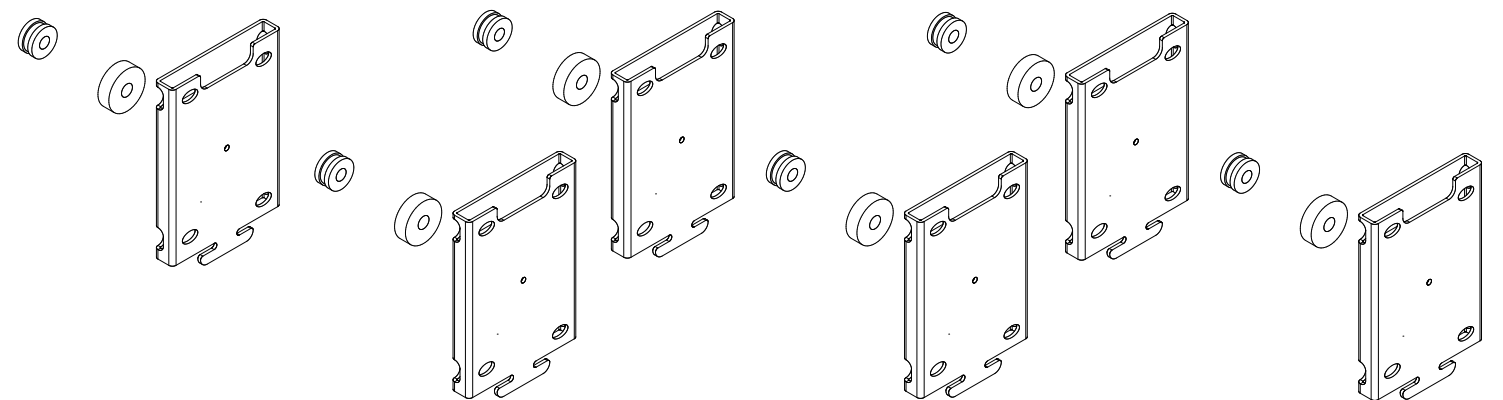


6 MAGNETIC WALL MOUNTS

Screws to fasten bracket to wall not included.

* Panels sold separately – For panel sizes from 31" x 35" to 47" x 63"

Panel size	Panels sizes up 31" x 35"– 47" x 63"
Part No	40025866
QTY	Set of 6
Finish	Steel

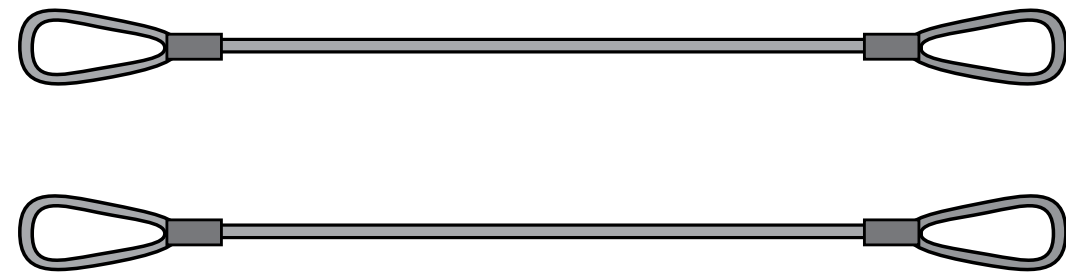


SNOWCUSTOM WALL KITS

OPTIONAL SAFETY CABLES

Screws to fasten bracket to wall not included.

Panel size	Fits all sizes
Part No	40046007
QTY	1 pair
Finish	Steel

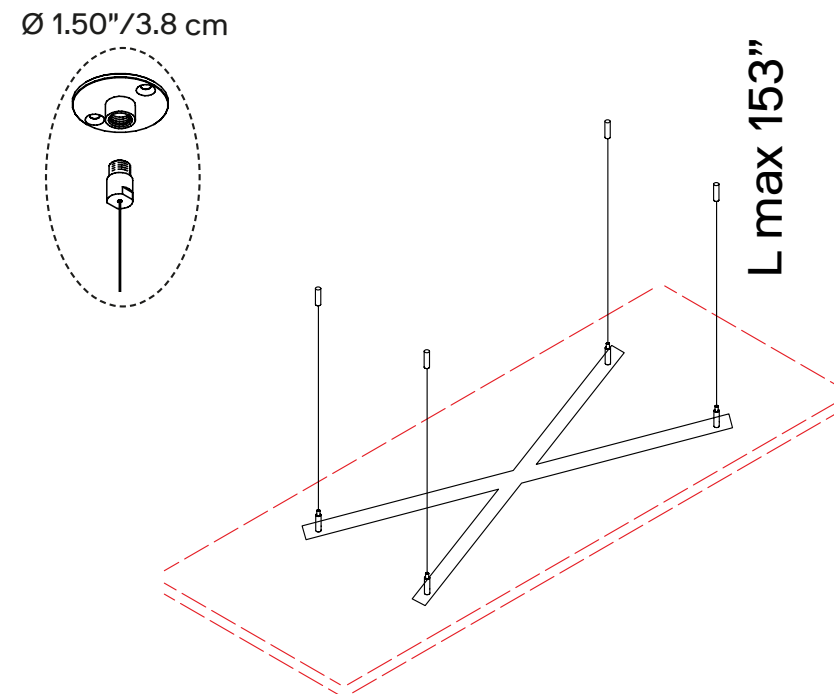


SNOWCUSTOM CEILING KITS

SMALL PANEL CEILING SUSPENDED FRAME

For Panel sizes Length: 27" - 39" (70cm - 100cm)
 Width: 15" - 35" (40cm - 90cm)

Part No	7INCF/1
QTY	1 kit
Finish	Steel

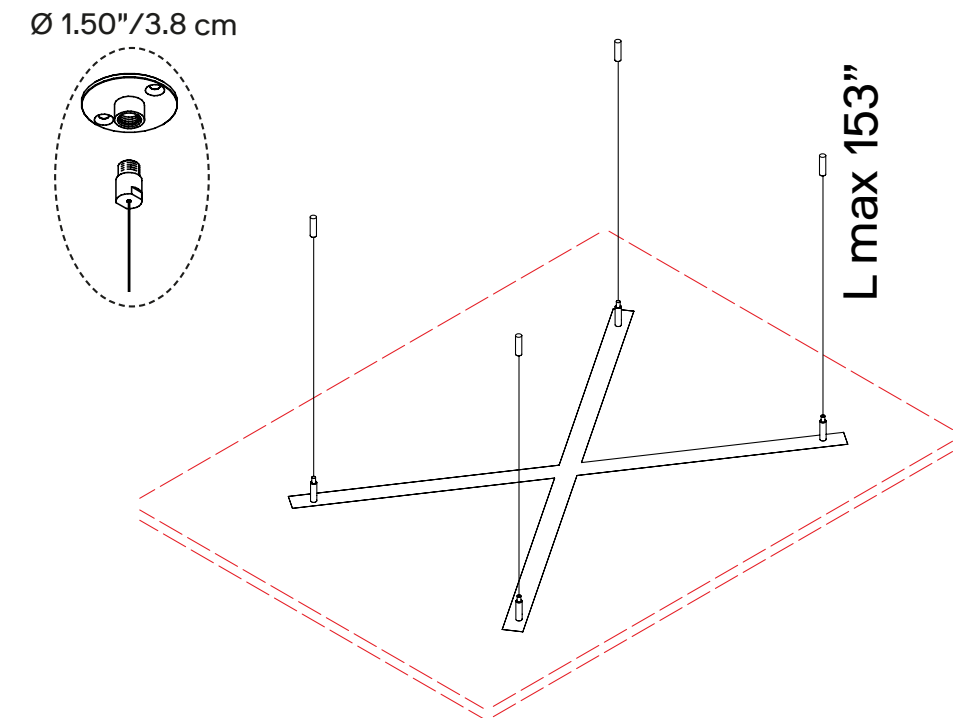


All kits include	Steel frame kit for ceiling fixing composed of 04 ceiling plates
	04 steel cables
	01 frame
	Ceiling mounting screws not included

MEDIUM PANEL CEILING SUSPENDED FRAME

For Panel sizes Length: 39" - 55" (100cm - 140cm)
 Width: 15" - 47" (40cm - 120cm)

Part No	7INCF/2
QTY	1 kit
Finish	Steel



* Panels sold separately – Please choose Panel colors on page 327, 329, and 331.

SNOWCUSTOM CEILING KITS

All kits include

Steel frame kit for ceiling fixing composed of 04 ceiling plates

04 steel cables

01 frame

Ceiling mounting screws not included

LARGE PANEL CEILING SUSPENDED FRAME

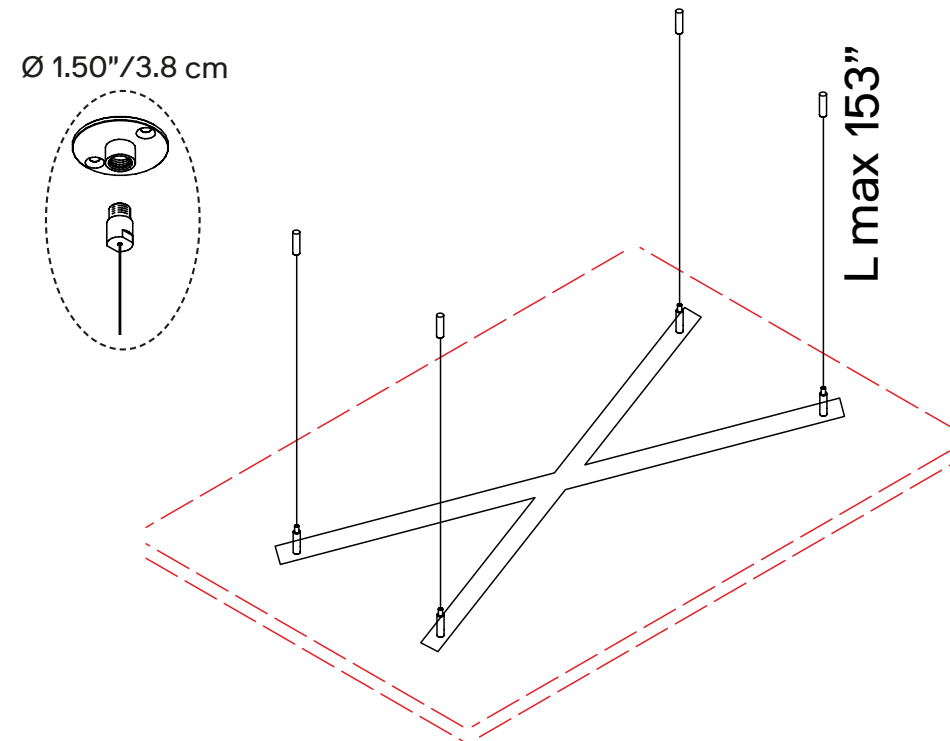
For Panel sizes Length: 39" - 55" (100cm - 140cm)

Width: 15" - 47" (40cm - 120cm)

Part No 7INCF/2

QTY 1 kit

Finish Steel

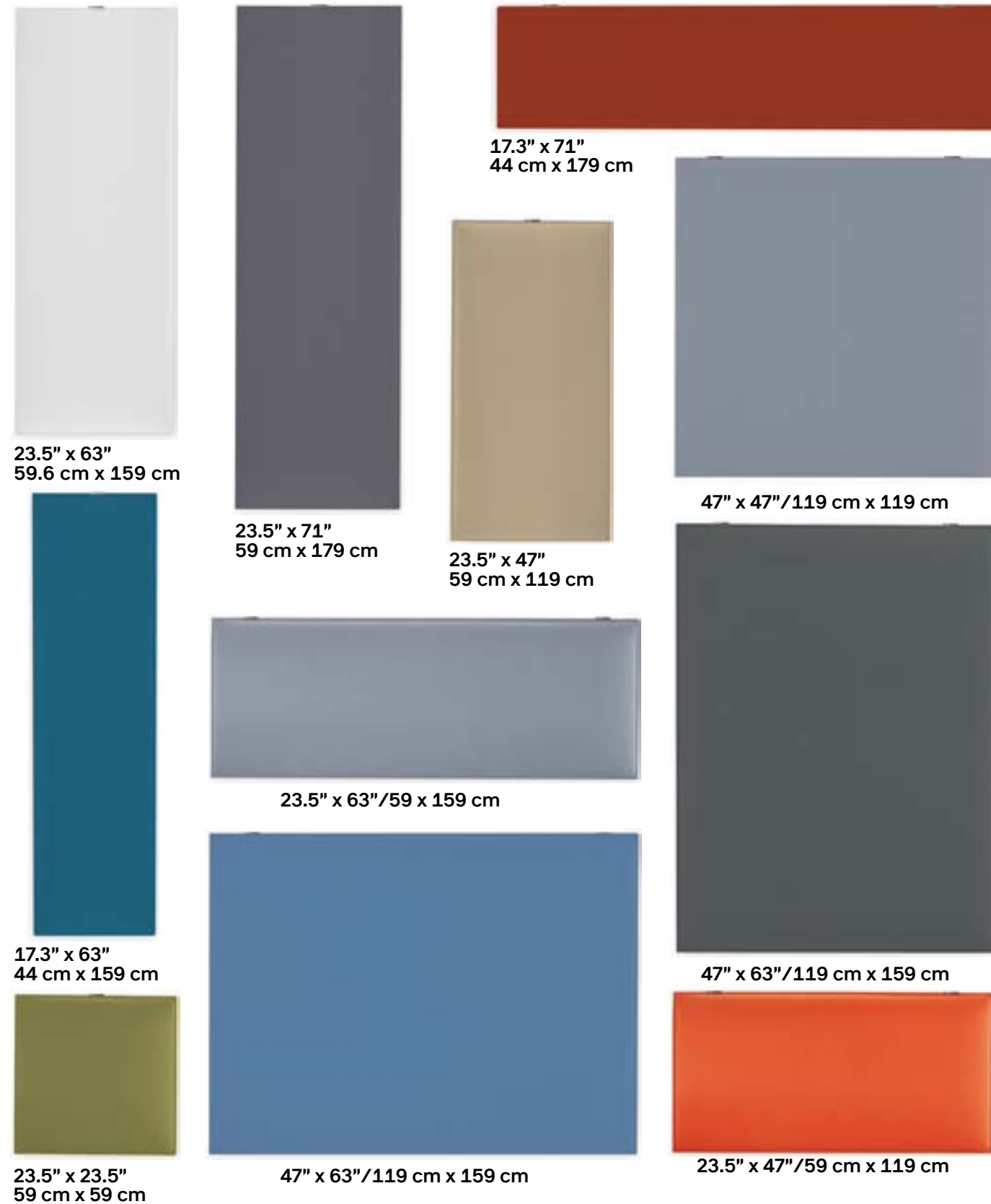


* Panels sold separately – Please choose Panel colors on page 327, 329, and 331.

SNOWFIX



SNOWFIX

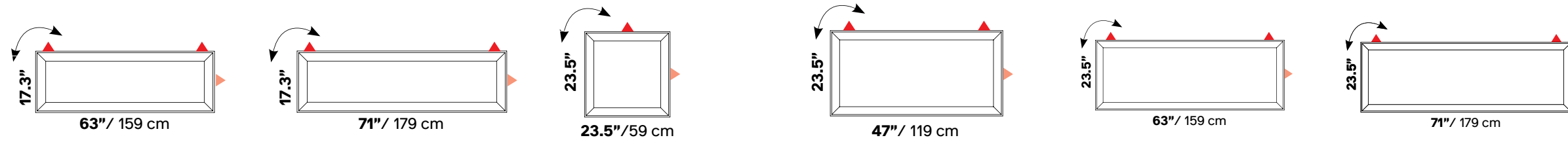


Panel with polyester internal padding with Snowsound® Technology variable density. Polyester covering in Trevira CS® fabric. The SNOWFIX brackets provide a sleek and low profile option to mount select Snowsound® Acoustic panels. Wall brackets come in either a satin nickel or matte white finish.

Specs	Polyester internal padding with Snowsound technology, polyester covering in Trevira CS® fabric
	Single material and 100% recyclable
	Eco friendly – Greenguard Gold
	Durable, tackable double-sided surface
	Patented variable density composition
	Class A sound absorption with NRC 1.0 (ISO 354/ASTM C423/ISO 11654)
	Absorbs 94% of human speech frequencies
	Class A fire and smoke safety (UL 723/ASTM E84)
	CAL 133, 117 pass
	Sleek profile at only 1.4" thick
	Wall mounted
Design	Snowsound Lab

SNOWFIX PANELS

Call your representative for stock levels and availability



	Color	Part No	Part No	Part No	Part No	Part No	Part No
	White	40025595	40025608	40025140	40025649	40025002	
	Silver	40025596	40025609	40025141	40025650	40025001	40025661
	Gray						
	Charcoal	40025597	40025610	40025142	40025651	40025003	40025662
	Gray						
	Slate	40025605	40025618	40025296	40025659	40025295	40025663
	Blue						
	Beige	40025598**	40025611**	40025207**	40025652**	40020055	
	Dove	40025599**	40025612**	40025208**	40025653**	40025004	
	Gray						
	Sun	40025600**	40025613**	40025209**	40025654**	40020056**	
	Yellow						
	Carrot	40025601**	40025614**	40025211**	40025655**	40025006	
	Orange						
	Red	40025602**	40025615**	40025210**	40025656**	40020057	
		Special Order Color MOQ: 60	Special Order Color MOQ: 60	Special Order Color MOQ: 70	Special Order Color MOQ: 50	Special Order Color MOQ: 50	Special Order Color MOQ: 30

** Extended lead time

Extended lead time colors require: up to 10–12 weeks

Quick Ship items only show item number without additional notation

For larger swatches & full color options, please refer to pages 32–34.

Panels available in special order colors. Special order colors require:

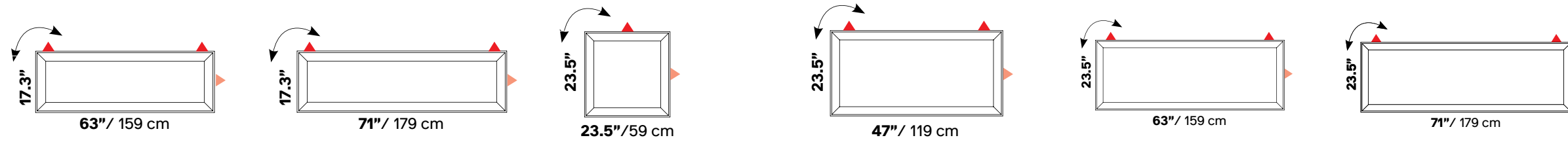
– MOQ varies from size to size

– Lead time up to 14–16 weeks

– +10% Custom service fee

SNOWFIX PANELS

Call your representative for stock levels and availability



	Color	Part No	Part No	Part No	Part No	Part No	Part No
	Rustic	40025604**	40025617**	40025288**	40025658**	40025287**	
	Brick	\$700.00	\$785.00	\$450.00	\$755.00	\$900.00	
	Olive	40025603**	40025616**	40025213**	40025657**	40020058	
	Green	\$700.00	\$785.00	\$450.00	\$755.00	\$900.00	
	Dark	40025606**	40025619**	40025304**	40025660**	40025303**	
	Teal	\$700.00	\$785.00	\$450.00	\$755.00	\$900.00	
	Blue					40020005	
						\$900.00	
	Cool				40025679**	40025664**	
	White				\$755.00	\$900.00	
		Special Order Color MOQ: 60	Special Order Color MOQ: 60	Special Order Color MOQ: 70	Special Order Color MOQ: 50	Special Order Color MOQ: 50	Special Order Color MOQ: 30

** Extended lead time

Extended lead time colors require: up to 10–12 weeks

Quick Ship items only show item number without additional notation

For larger swatches & full color options, please refer to pages 32–34.

Panels available in special order colors. Special order colors require:

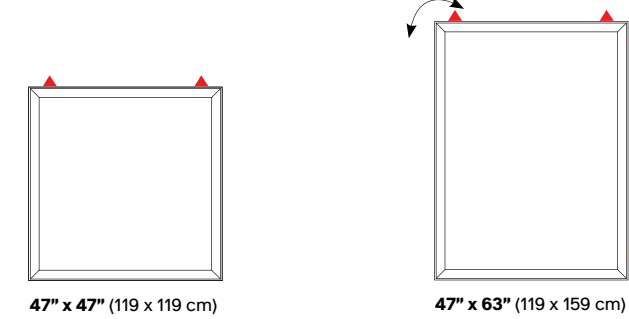
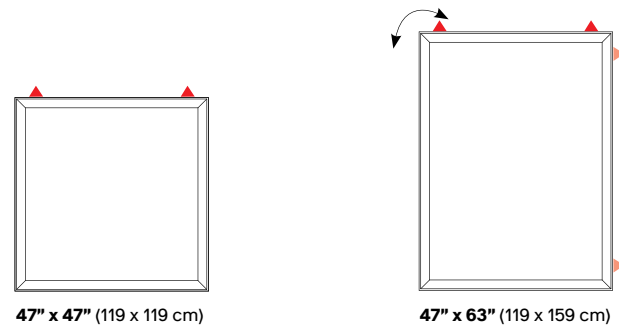
– MOQ varies from size to size

– Lead time up to 14–16 weeks

– +10% Custom service fee

SNOWFIX PANELS

Call your representative for stock levels and availability



	Color	Part No	Part No
	White	40025042	40025045
	Silver Gray	40025043	40025046
	Charcoal Gray	40025082	40025080
	Slate Blue	40025299	40025300
	Beige	40025313**	40025314**
	Dove Gray	40025044**	40025047**
	Sun Yellow	40025316**	40025240**
	Carrot Orange	40025311**	40025241**

Special Order
Color MOQ: 18

Special Order
Color MOQ: 18

	Color	Part No	Part No
	Red	40025315**	40025284**
	Rustic Brick	40025291**	40025292**
	Olive Green	40025318**	40025319**
	Dark Teal	40025307**	40025308**
	Black	40025733**	40025734**
	Cool White	40025309**	40025310**

Special Order
Color MOQ: 70

Special Order
Color MOQ: 50

** Extended lead time

Extended lead time colors require: up to 10–12 weeks

Quick Ship items only show item number without additional notation

For larger swatches & full color options, please refer to pages 32–34.

Panels available in special order colors. Special order colors require:

– MOQ varies from size to size

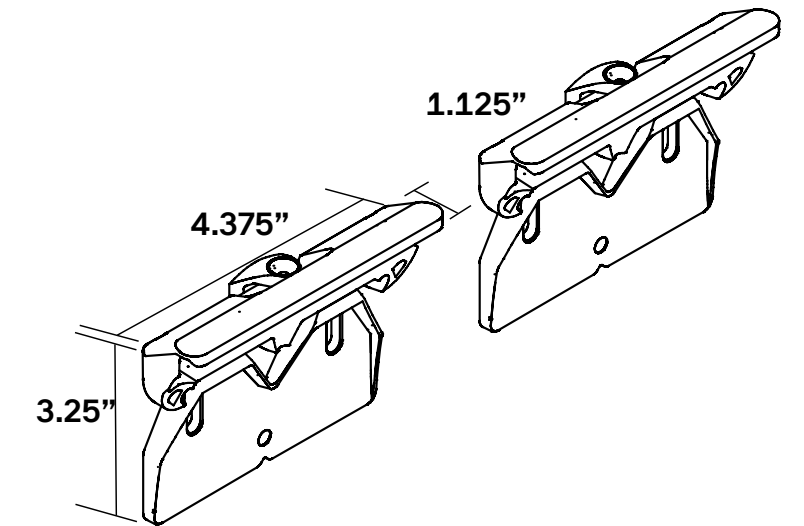
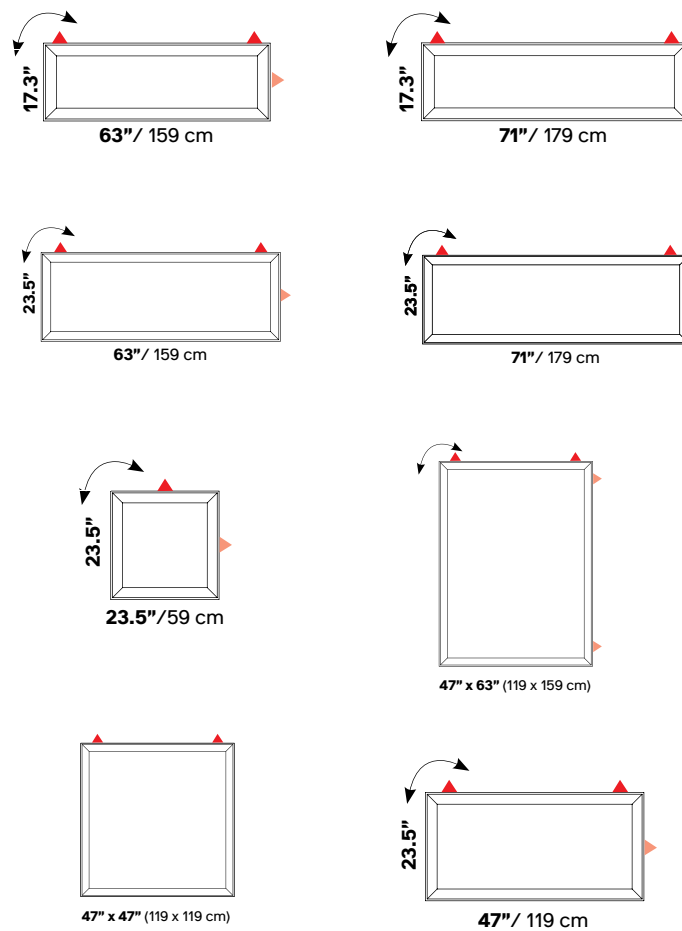
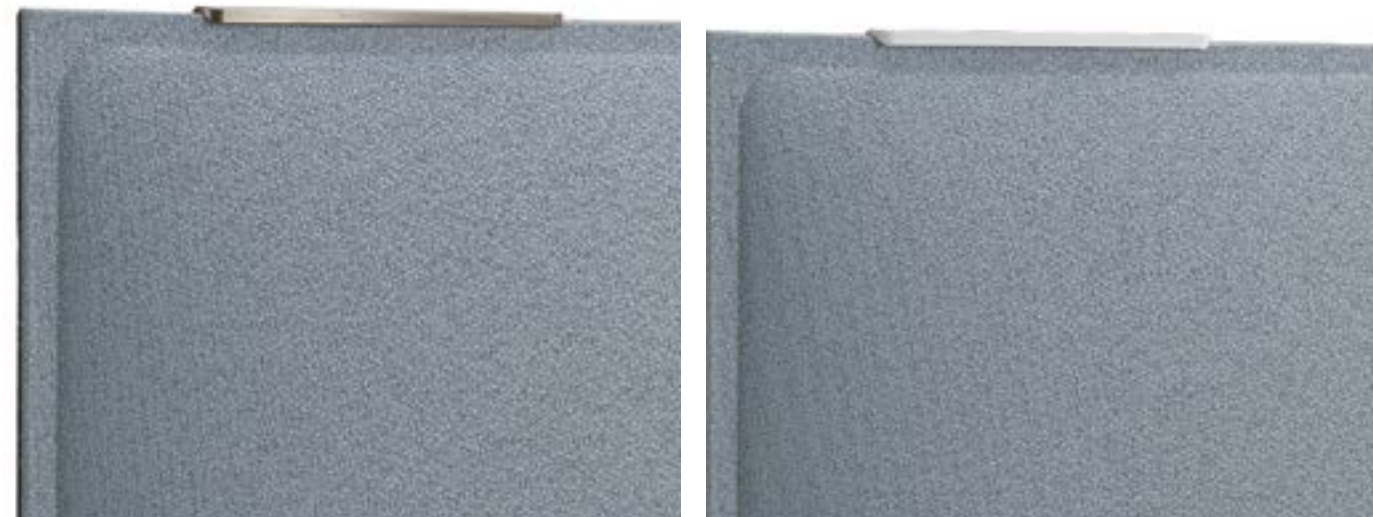
– Lead time up to 14–16 weeks

– +10% Custom service fee

SNOWFIX WALL MOUNTING BRACKETS

Pair of wall brackets come in either in a satin nickel or matte white finish. (Screws to fasten bracket to wall not included). Brackets come in pairs: some orientations require only 1 bracket.

Panel size	Fits All Sizes	Fits All Sizes
Part No	40025090	40025091
QTY	01 pair	01 pair
Finish	Matte White	Satin Nickel

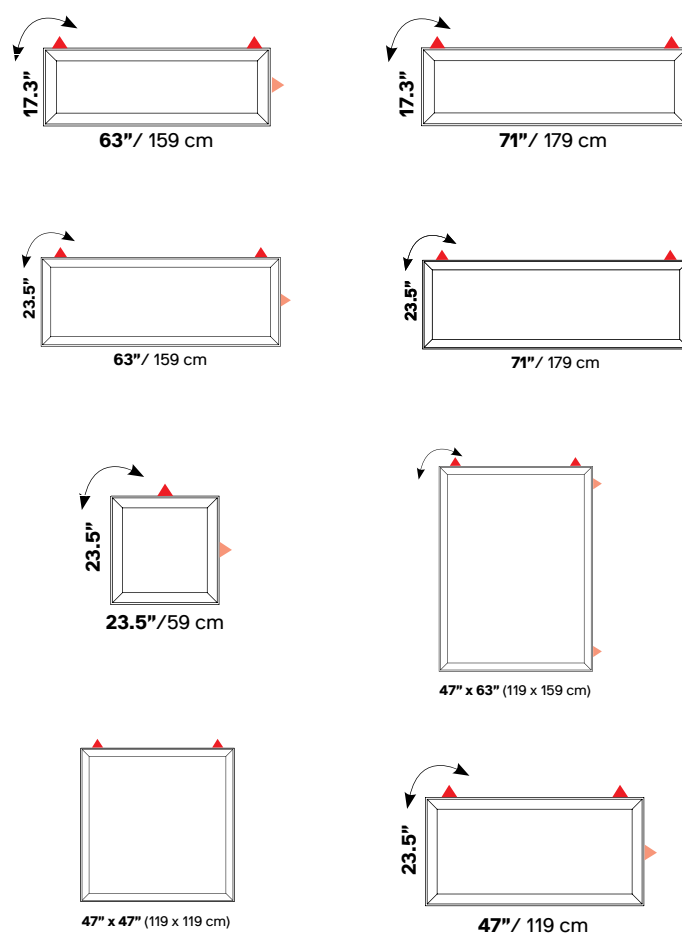


 This symbol indicates the number of brackets required to hang panel. Panels can be mounted either horizontally or vertically.

SNOWFIX EASY WALL MOUNTING HANGERS

SNOWFIX EASY PANELS HANGERS come in pairs: some orientations require only 1 Panel Hanger. Refer to pages 112 – 114 for details. (Wall mounting screws not included). Panels sold separately

Panel size	Fits All Sizes
Part No	40025586
QTY	01 Pair
Finish	Matte White

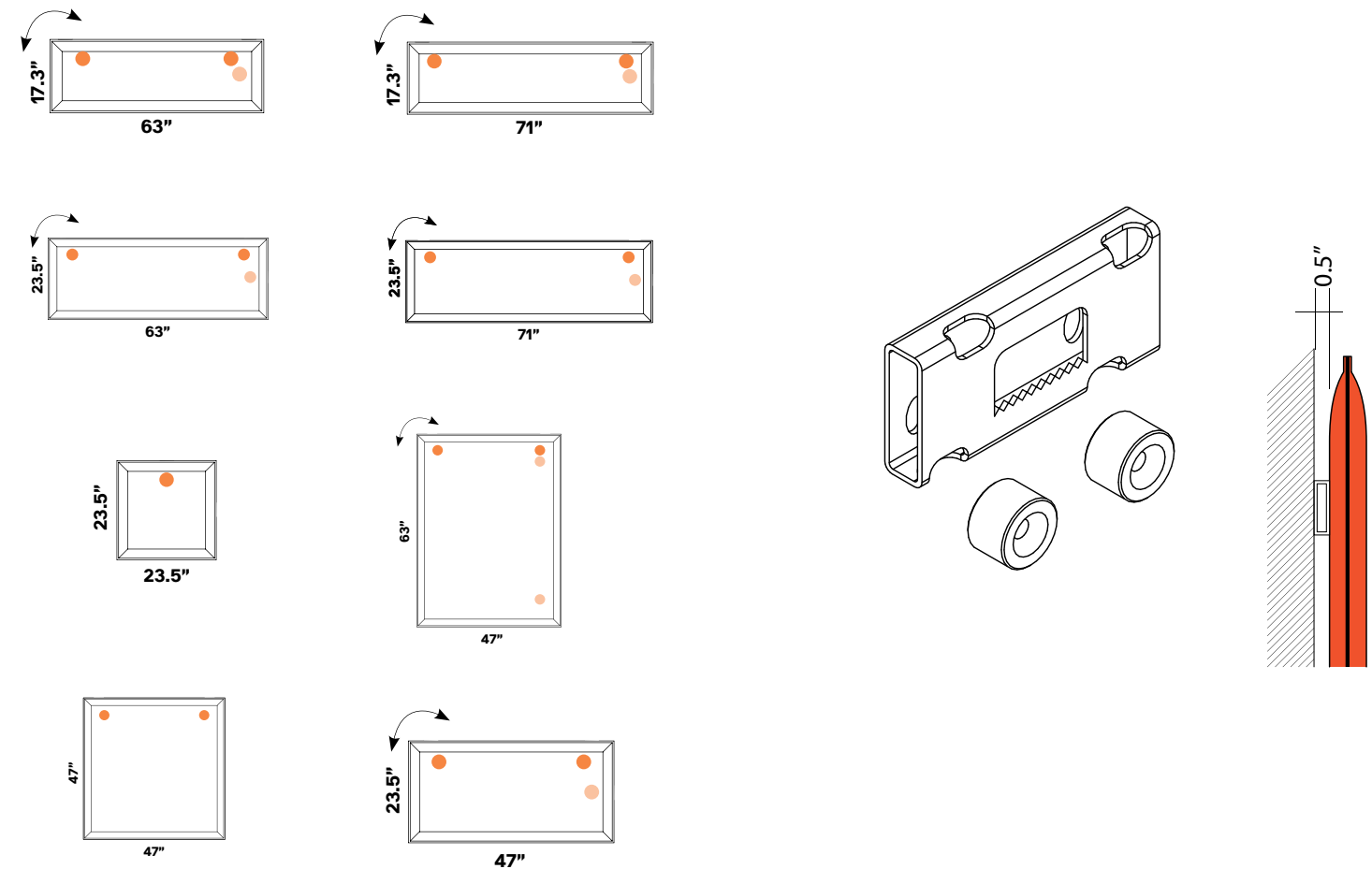


This symbol indicates the number of brackets required to hang panel. Panels can be mounted either horizontally or vertically.

SNOWFIX SMART WALL MOUNTING HANGERS

Panels sold separately

Panel size	Fits All Sizes
Part No	7S377
QTY	01
Finish	Matte White



For rectangular horizontal and oversize panels, two hangers are required.



This symbol indicates the number of brackets required to hang panel. Panels can be mounted either horizontally or vertically.

SNOWFRONT



SNOWFRONT

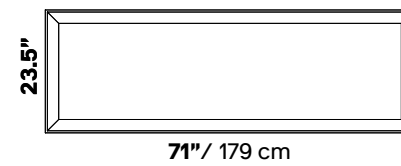
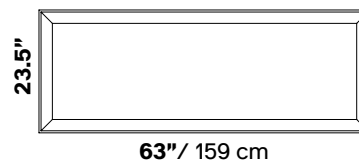
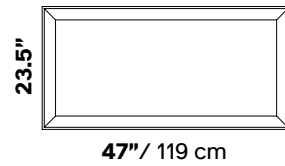
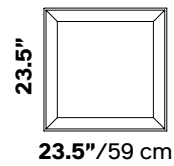
The SNOWFRONT system uses Snowsound® as a custom height visual barrier and modesty screen. The ultra-thin 35mm panels attached to work surfaces, and offer a dual solution with a 1.0 NRC sound absorption rating. As with other Snowsound designs, this system can be retrofitted to existing spaces or specified as an architectural element in the design phase.

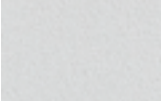










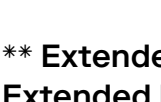
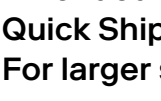




Spec	Polyester internal padding with Snowsound technology, polyester covering in Trevira CS® fabric
	Single material and 100% recyclable
	Eco friendly – Greenguard Gold
	Durable, tackable double-sided surface
	Patented variable density composition
	Class A sound absorption with NRC 1.0 (ISO 354/ASTM C423/ISO 11654)
	Absorbs 94% of human speech frequencies
	Class A fire and smoke safety (UL 723/ASTM E84)
	CAL 133, 117 pass
	Sleek profile at only 1.4” thick
	Desk mounted
Design	Snowsound Lab

SNOWFRONT PANELS

Call your representative for stock levels and availability



	Color	Part No	Part No	Part No	Part No
	White	40025140	40025649	40025002	
	Silver	40025141	40025650	40025001	40025661
	Gray				
	Charcoal	40025142	40025651	40025003	40025662
	Gray				
	Slate	40025296	40025659	40025295	40025663
	Blue				
	Beige	40025207**	40025652**	40020055	
	Dove	40025208**	40025653**	40025004	
	Gray				
	Sun	40025209**	40025654**	40020056**	
	Yellow				
	Carrot	40025211**	40025655**	40025006	
	Orange				
	Red	40025210**	40025656**	40020057	
		Special Order Color MOQ: 70	Special Order Color MOQ: 50	Special Order Color MOQ: 50	Special Order Color MOQ: 30

** Extended lead time

Extended lead time colors require: up to 10–12 weeks

Quick Ship items only show item number without additional notation

For larger swatches & full color options, please refer to pages 32–34.

Panels available in special order colors. Special order colors require:

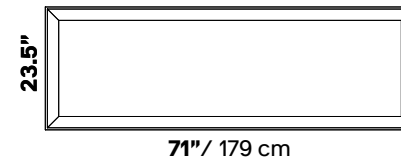
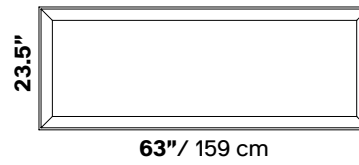
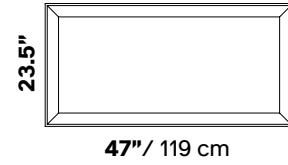
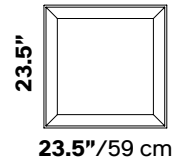
– MOQ varies from size to size






– Lead time up to 14–16 weeks

– +10% Custom service fee

SNOWFRONT PANELS

Call your representative for stock levels and availability



	Color	Part No	Part No	Part No	Part No
	Rustic Brick	40025288**	40025658**	40025287**	
	Olive Green	40025213**	40025657**	40020058	
	Dark Teal	40025304**	40025660**	40025303**	
	Blue			40020005	
	Cool White		40025679**	40025664**	
		Special Order Color MOQ: 60	Special Order Color MOQ: 60	Special Order Color MOQ: 50	Special Order Color MOQ: 30

** Extended lead time

Extended lead time colors require: up to 10–12 weeks

Quick Ship items only show item number without additional notation

For larger swatches & full color options, please refer to pages 32–34.

Panels available in special order colors. Special order colors require:

– MOQ varies from size to size

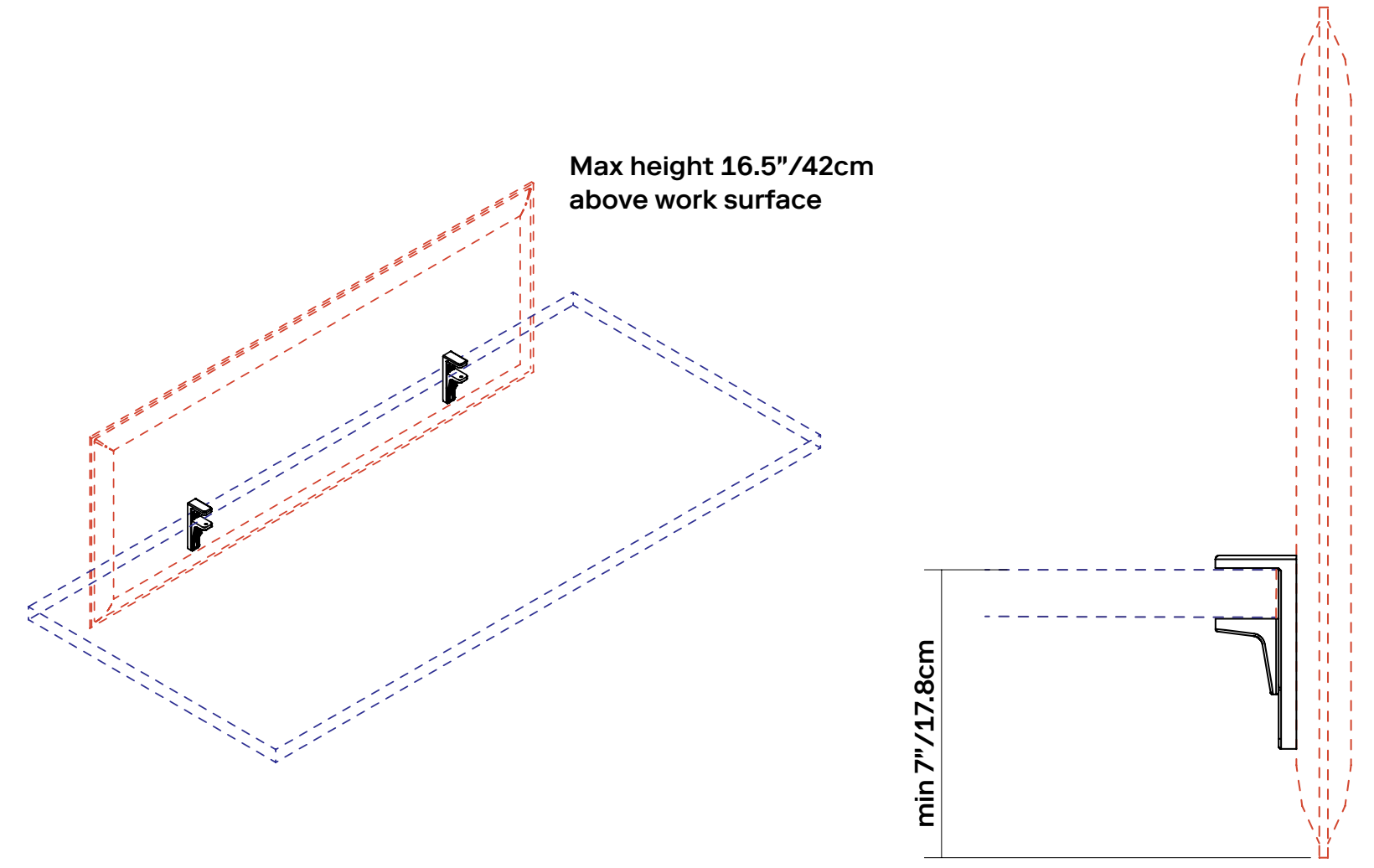
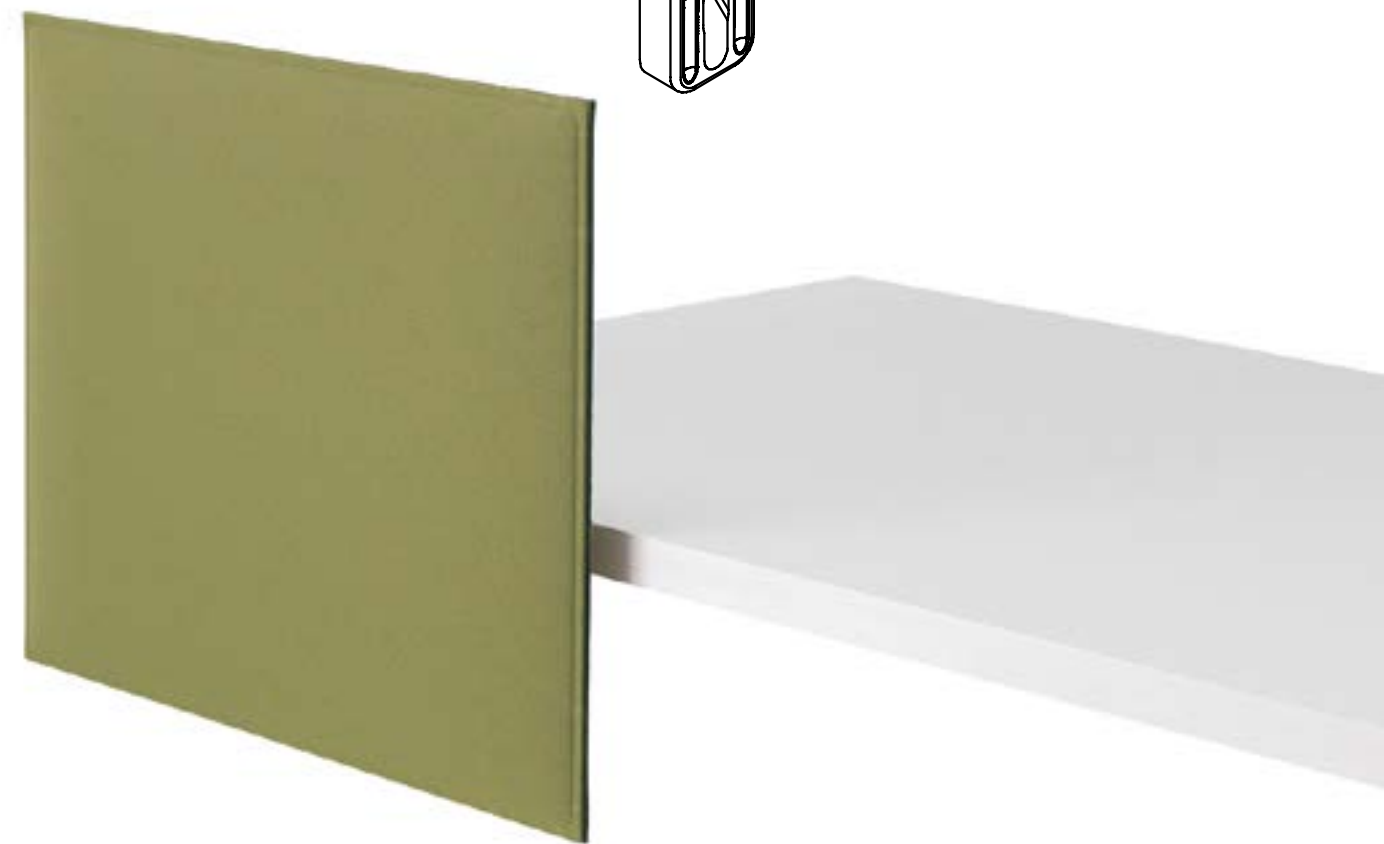
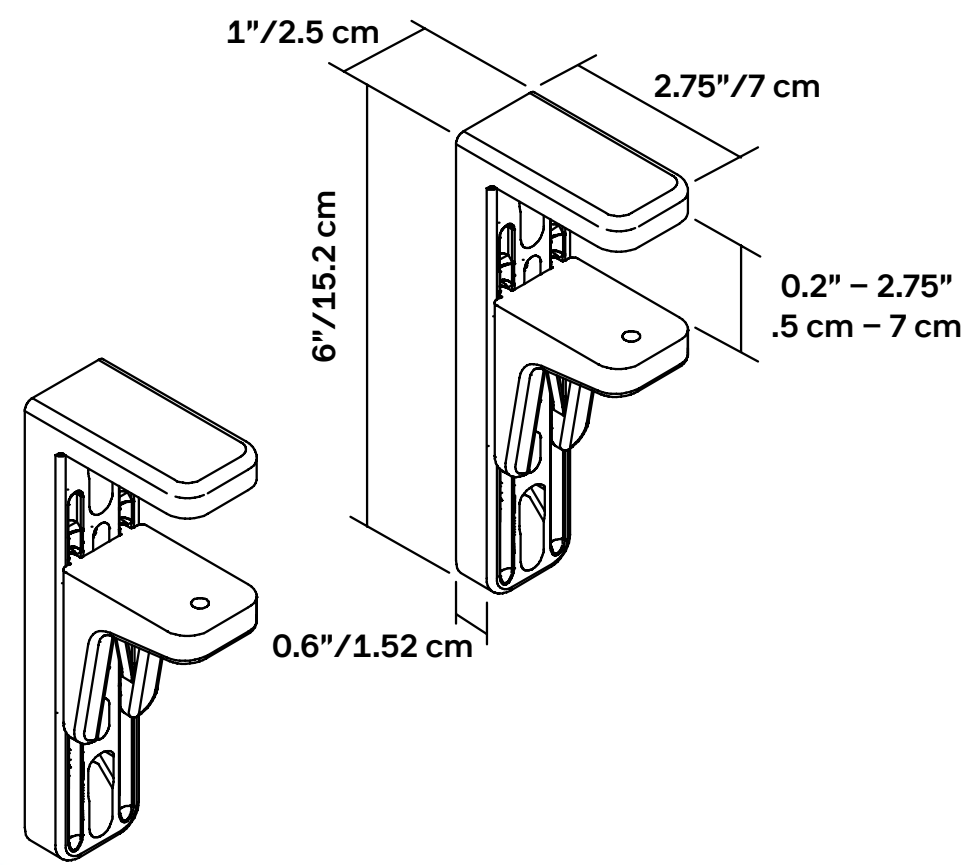
– Lead time up to 14–16 weeks

– +10% Custom service fee

SNOWFRONT PANELS CLAMP BRACKETS

Pair of brackets with adjustable clamp in powder-coated steel and aluminum for connection to the desktop. Available in matte white or silver gray. (Panels sold separately)

Panel size	Fits All Sizes	Fits All Sizes
Part No	40025018	40025019
QTY	01 pair	01 pair
Finish	Silver Grey	Matte Finish



SNOWMAGNET EASY



SNOWMAGNET EASY

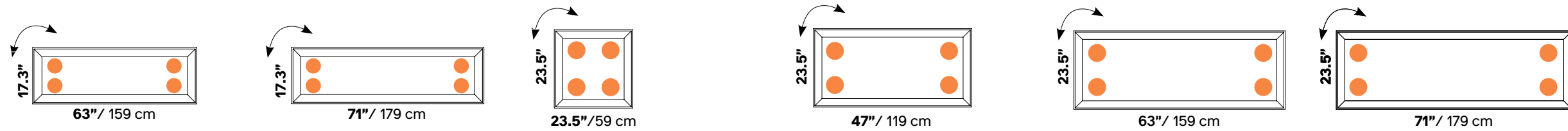
Panel with polyester internal padding with Snowsound® Technology variable density. Polyester covering in Trevira CS® fabric. Snowmagnet Easy offers a quick and easy wall mounting solution for select Snowsound panels. As the metal strips used to mount the panels come in different sizes, it is possible to reposition the panels during installation to achieve the effect desired.



Specs	Polyester internal padding with Snowsound technology, polyester covering in Trevira CS® fabric
	Single material and 100% recyclable
	Eco friendly – Greenguard Gold
	Durable, tackable double-sided surface
	Patented variable density composition
	Class A sound absorption with NRC 1.0 (ISO 354/ASTM C423/ISO 11654)
	Absorbs 94% of human speech frequencies
	Class A fire and smoke safety (UL 723/ASTM E84)
	CAL 133, 117 pass
	Sleek profile at only 1.4” thick
	Wall mounted
Design	Snowsound Lab

SNOWMAGNET EASY PANELS

Call your representative for stock levels and availability



	Color	Part No	Part No	Part No	Part No	Part No	Part No
	White	40025595	40025608	40025140	40025649	40025002	
	Silver	40025596	40025609	40025141	40025650	40025001	40025661
	Gray						
	Charcoal	40025597	40025610	40025142	40025651	40025003	40025662
	Gray						
	Slate	40025605	40025618	40025296	40025659	40025295	40025663
	Blue						
	Beige	40025598**	40025611**	40025207**	40025652**	40020055	
	Dove	40025599**	40025612**	40025208**	40025653**	40025004	
	Gray						
	Sun	40025600**	40025613**	40025209**	40025654**	40020056**	
	Yellow						
	Carrot	40025601**	40025614**	40025211**	40025655**	40025006	
	Orange						
	Red	40025602**	40025615**	40025210**	40025656**	40020057*	
		Special Order Color MOQ: 60	Special Order Color MOQ: 60	Special Order Color MOQ: 70	Special Order Color MOQ: 50	Special Order Color MOQ: 50	Special Order Color MOQ: 50

** Extended lead time
 Extended lead time colors require: up to 10–12 weeks
 For larger swatches & full color options, please refer to pages 32–34.

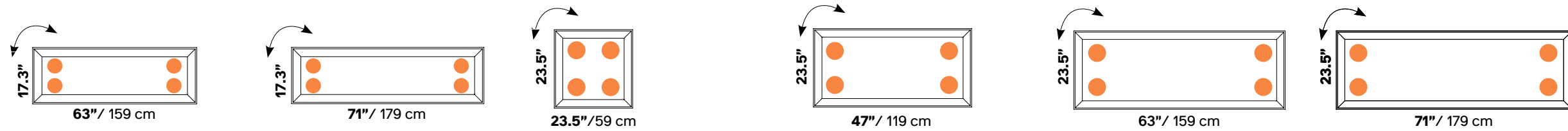
Panels available in special order colors. Special order colors require:
 – MOQ varies from size to size, reference
 – Lead time up to 14–16 weeks
 – +10% Custom service fee








This symbol indicates the number of brackets required to hang panel. Panels can be mounted either horizontally or vertically. Brackets found on pg. 145.

SNOWMAGNET EASY PANELS

Call your representative for stock levels and availability



	Color	Part No	Part No	Part No	Part No	Part No	Part No
	Rustic Brick	40025604**	40025617**	40025288**	40025658**	40025287**	
	Olive Green	40025603**	40025616**	40025213**	40025657**	40020058	
	Dark Teal	40025606**	40025619**	40025304**	40025660**	40025303**	
	Blue					40020005	
	Cool White				40025679**	40025664**	
		Special Order Color MOQ: 60	Special Order Color MOQ: 60	Special Order Color MOQ: 70	Special Order Color MOQ: 50	Special Order Color MOQ: 50	Special Order Color MOQ: 50

** Extended lead time
 Extended lead time colors require: up to 10–12 weeks
 For larger swatches & full color options, please refer to pages 32–34.

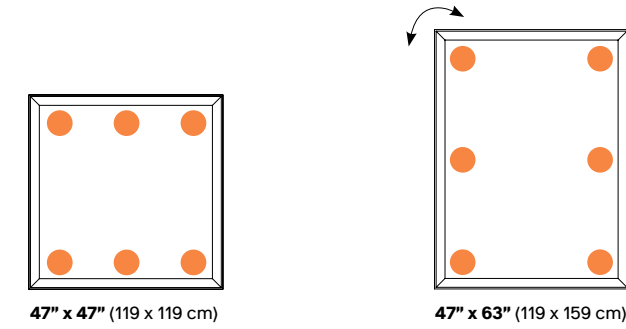
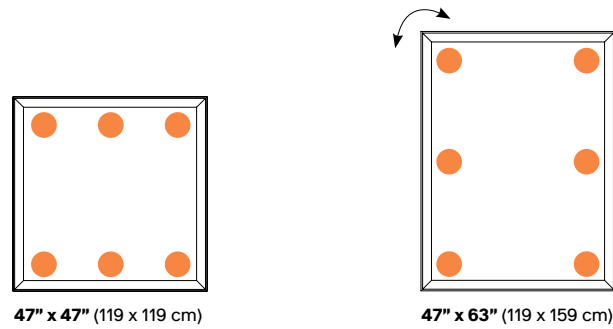
Panels available in special order colors. Special order colors require:
 – MOQ varies from size to size, reference
 – Lead time up to 14–16 weeks
 – +10% Custom service fee



This symbol indicates the number of brackets required to hang panel. Panels can be mounted either horizontally or vertically. Brackets found on pg. 145.

SNOWMAGNET EASY PANELS

Call your representative for stock levels and availability




	Color	Part No	Part No
	White	40025042	40025045
	Silver Gray	40025043	40025046
	Charcoal Gray	40025082	40025080
	Slate Blue	40025299	40025300
	Beige	40025313**	40025314**
	Dove Gray	40025044**	40025047**
	Sun Yellow	40025316**	40025240**
	Carrot Orange	40025311**	40025241**
		Special Order Color MOQ: 18	Special Order Color MOQ: 18

	Color	Part No	Part No
	Red	40025315**	40025284**
	Rustic Brick	40025291**	40025292**
	Olive Green	40025318**	40025319**
	Dark Teal	40025307**	40025308**
	Black	40025733**	40025734**
	Cool White	40025309**	40025310**
		Special Order Color MOQ: 18	Special Order Color MOQ: 18

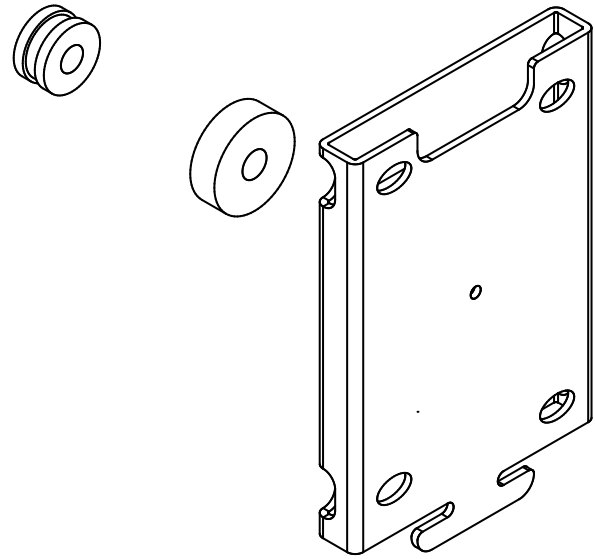
** Extended lead time
 Extended lead time colors require: up to 10–12 weeks
 For larger swatches & full color options, please refer to pages 32–34.

Panels available in special order colors. Special order colors require:
 – MOQ varies from size to size, reference
 – Lead time up to 14–16 weeks
 – +10% Custom service fee

 This symbol indicates the number of brackets required to hang panel. Panels can be mounted either horizontally or vertically. Brackets found on pg. 145.

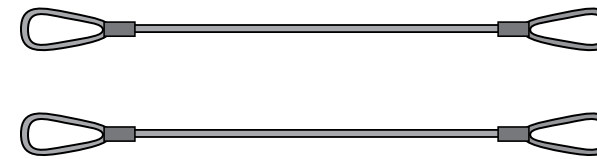
MAGNETIC WALL HARDWARE AND OPTIONAL SAFETY CABLES

Screws to fasten bracket to wall not included.



Magnetic Wall Hardware

Panel size	Fits All Sizes
Part No	40025866
QTY	03 Pairs
Finish	Matte White



Optional Safety Cables – Pair

Panel size	Fits All Sizes
Part No	40046007
QTY	01
Finish	Matte White

SURF



SURF



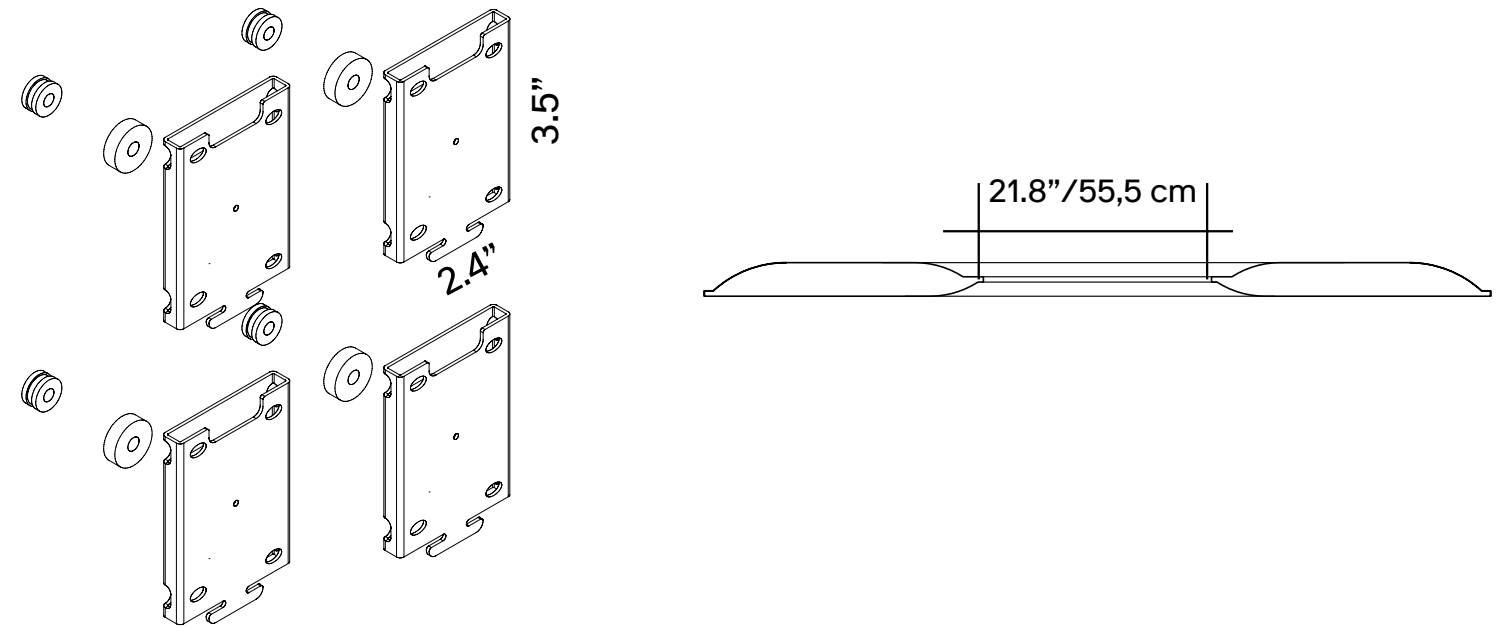
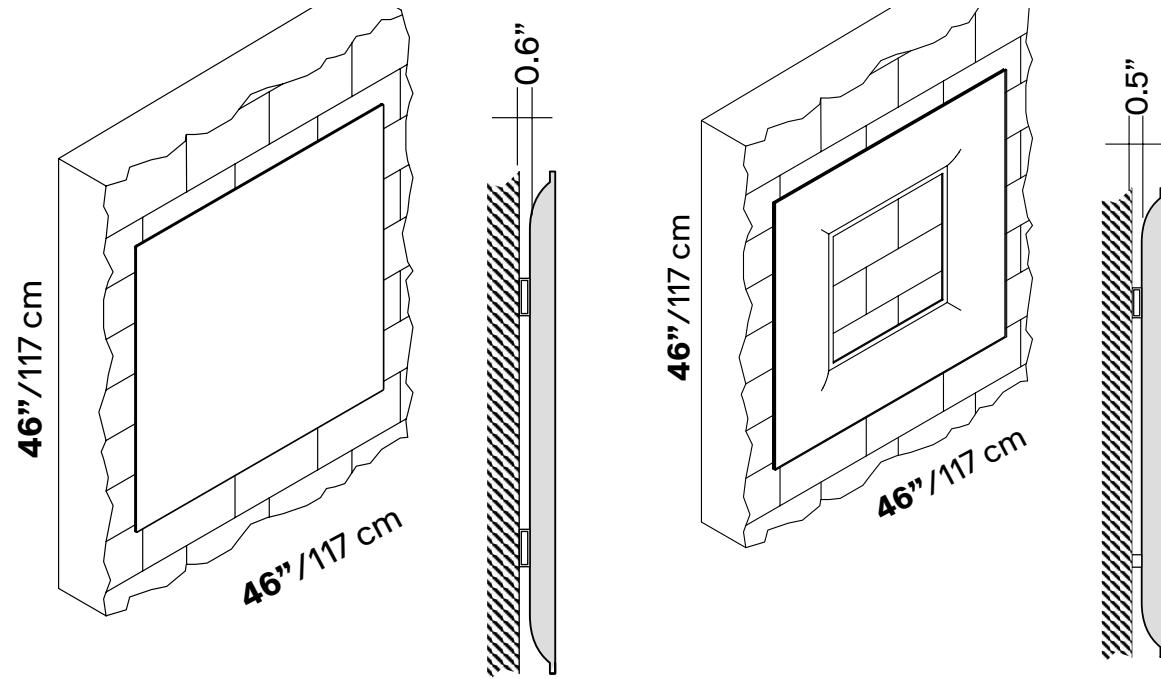
SURF is a panel featuring polyester internal padding with Snowsound® Technology variable density and covered in Trevira CS® fabric. Snowmagnet Easy provides a quick and easy wall mounting solution for select Snowsound panels. As the metal strips used to mount the panels come in different sizes, it is possible to reposition the panels during installation to achieve the desired effect.

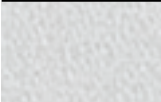

Specs	Polyester internal padding with Snowsound technology, polyester covering in Trevira CS® fabric
	Single material and 100% recyclable
	Eco friendly – Greenguard Gold
	Durable, tackable double-sided surface
	Patented variable density composition
	Class A sound absorption with NRC 1.0 (ISO 354/ASTM C423/ISO 11654)
	Absorbs 94% of human speech frequencies
	Class A fire and smoke safety (UL 723/ASTM E84)
	CAL 133, 117 pass
	Sleek profile at only 1.4” thick
	Wall mounted
Design	Snowsound Lab

SURF WALL MOUNTED SNOWMAGNET EASY COMPLETE KIT

Call your representative for stock levels and availability

Kit includes	01 Surf panel
	04 Snowmagnet Easy wall mounting hardware



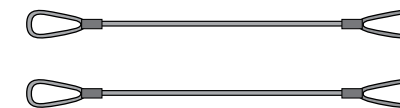
	Color	Part No	Part No
	White	7SUW/1-0001	7SUWF/1-0001
	Charcoal Grey	7SUW/1-8007	7SUWF/1-8007

Special Order
Color MOQ: 36

Panels available in special order colors. Special order colors require:

- MOQ varies from size to size
- Lead time up to 14-16 weeks
- +10% Custom service fee

For larger swatches & full color options, please refer to pages 32-34.



Optional Safety Cables

Panel size	Fits All Sizes
Part No	40046007
QTY	01 Pair
Finish	Steel
List Price	\$30.00

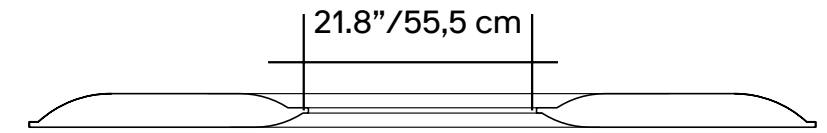
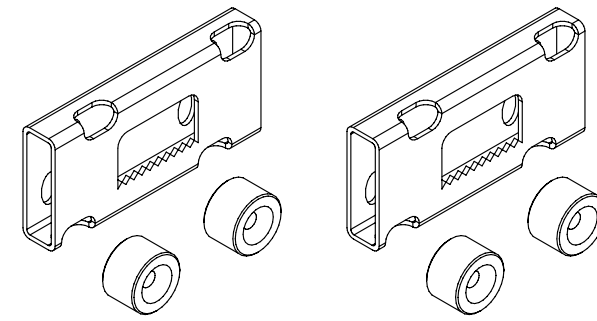
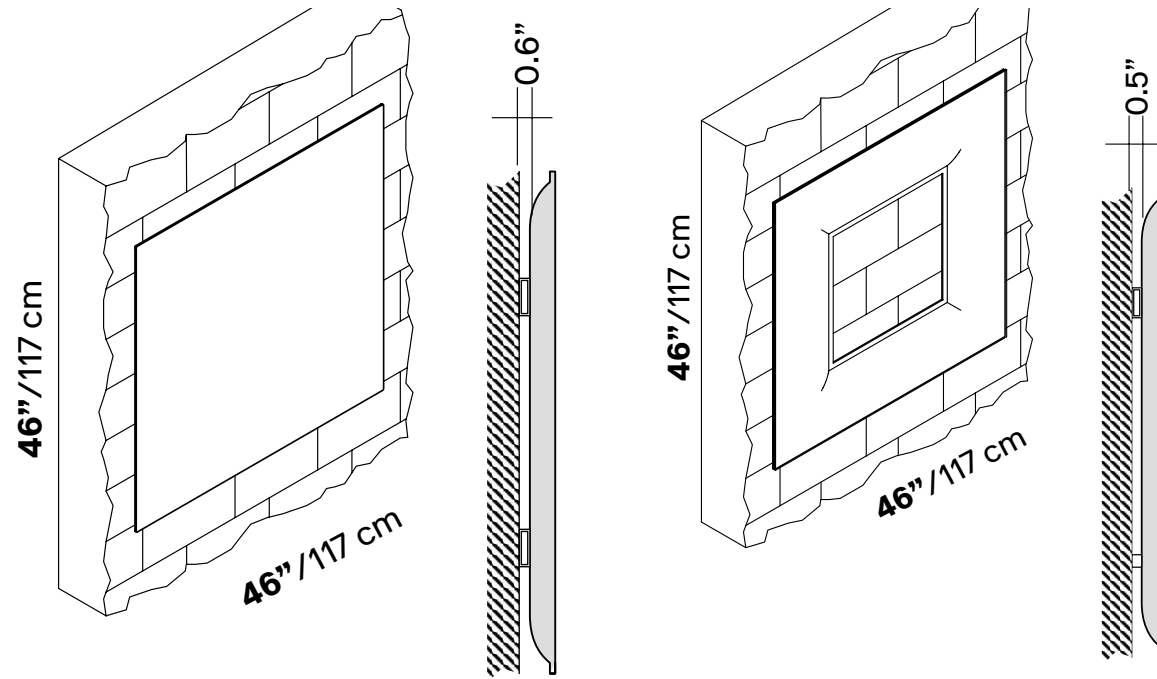
SURF WALL MOUNTED SNOWFIX SMART COMPLETE KIT

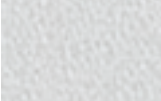

Call your representative for stock levels and availability

Kit includes

01 Surf panel

02 Snowfix Smart wall mounting hardware



	Color	Part No	Part No
	White	7SUW/2-0001	7SUWF/2-0001
	Charcoal Grey	7SUW/2-8007	7SUWF/2-8007

Special Order
Color MOQ: 36

Panels available in special order colors. Special order colors require:

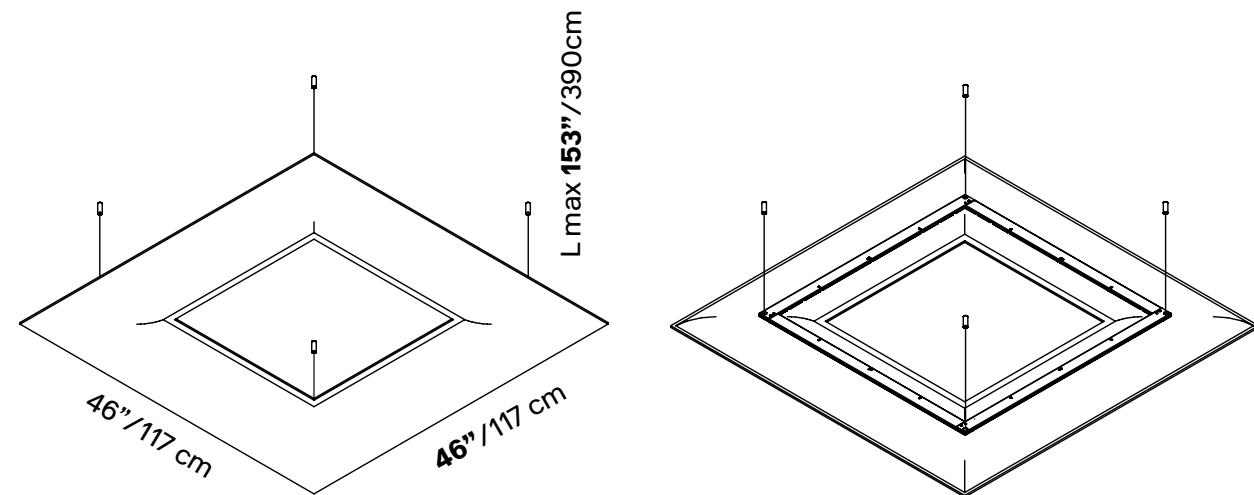
- MOQ varies from size to size
- Lead time up to 14-16 weeks
- +10% Custom service fee

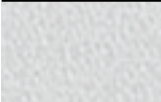

For larger swatches & full color options, please refer to pages 32-34.

SURF CEILING SUSPENDED COMPLETE KIT

Call your representative for stock levels and availability

Kit includes	01 Surf panel
	01 Oversize panel frame
	04 Snowsound ceiling hardware



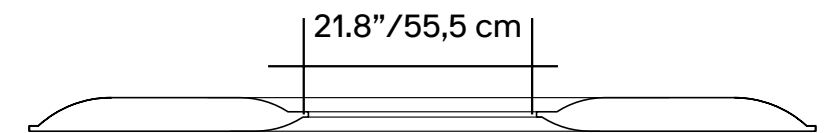
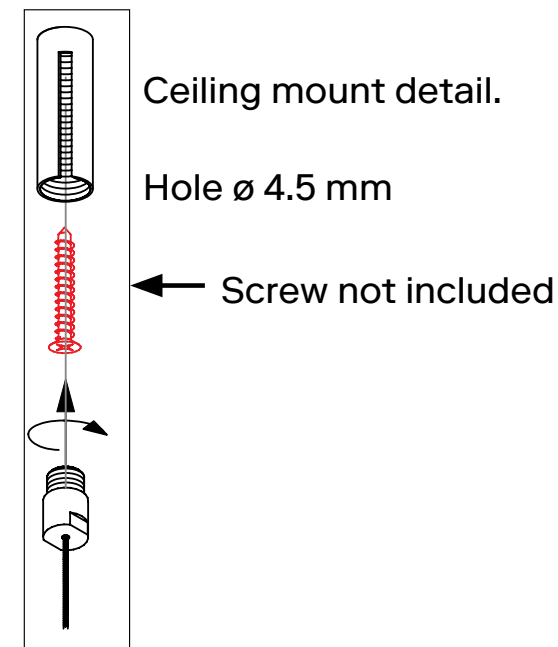
Color	Part No
 White	7SUCF-0001
 Charcoal Grey	7SUCF-8007

Special Order
Color MOQ: 36

Panels available in special order colors. Special order colors require:

- MOQ varies from size to size
- Lead time up to 14-16 weeks
- +10% Custom service fee

For larger swatches & full color options, please refer to pages 32-34.



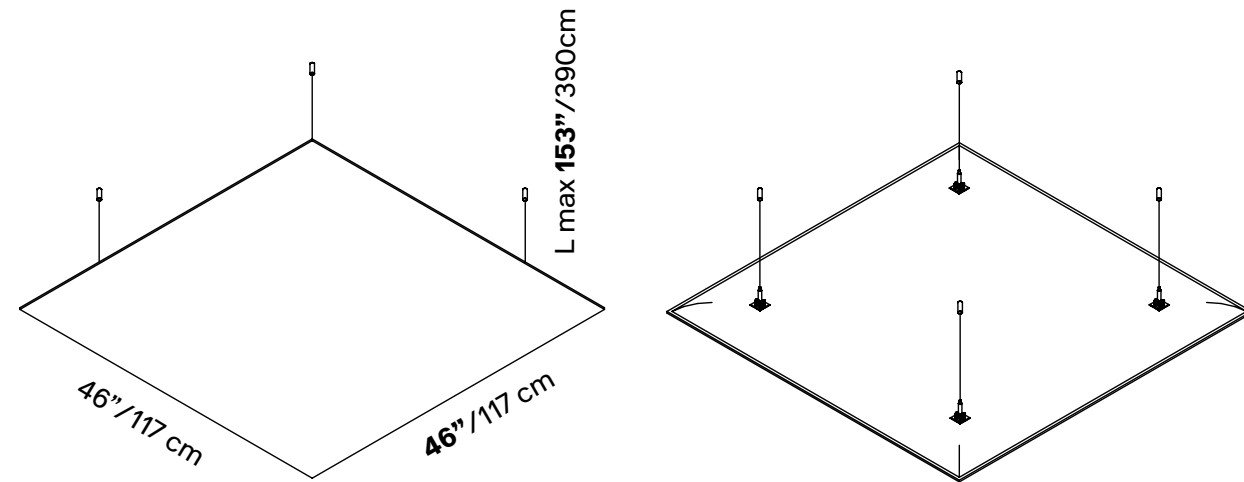
SURF CEILING SUSPENDED COMPLETE KIT EASY HARDWARE

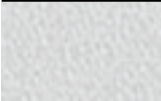

Call your representative for stock levels and availability

Kit includes

01 Surf panel

04 Snowsound Easy ceiling hardware



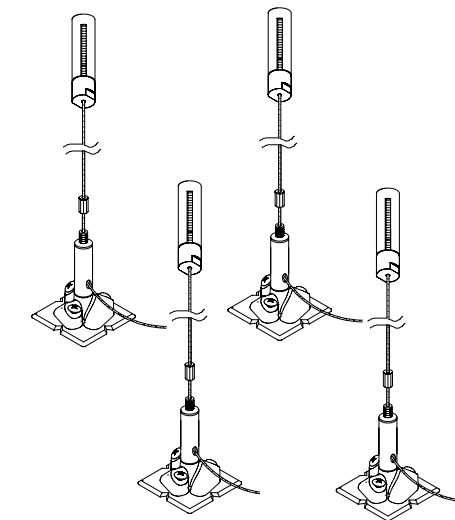
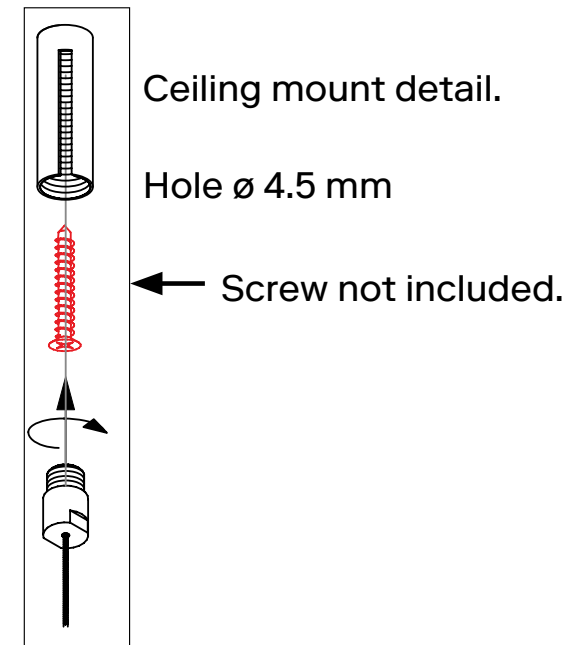
Color	Part No
 White	7SUCF-0001
 Charcoal Grey	7SUCF-8007

Special Order
Color MOQ: 36

Panels available in special order colors. Special order colors require:

- MOQ varies from size to size
- Lead time up to 14-16 weeks
- +10% Custom service fee

For larger swatches & full color options, please refer to pages 32-34.



Connections detail(included)

TL / TL LUX



TL / TL LUX

TL / TL LUX are three-dimensional sound-absorbing ceiling elements crafted with Snowsound technology, available with or without integrated LED light. Each element is equipped with three steel ceiling suspension cables connected to a single plate.

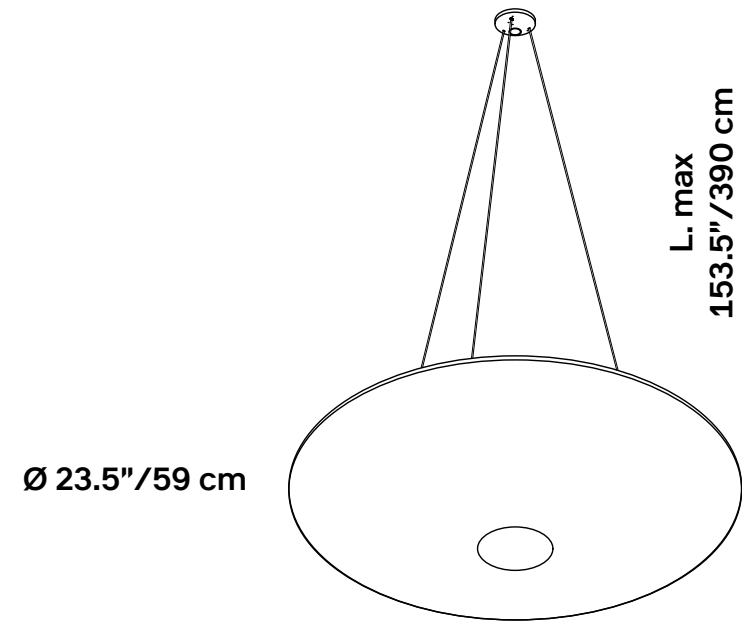


Specs	Polyester internal padding with Snowsound technology, polyester covering in Trevira CS® fabric
	Single material and 100% recyclable
	Eco friendly – Greenguard Gold
	Durable, tackable double-sided surface
	Patented variable density composition
	Class A sound absorption with NRC 1.0 (ISO 354/ASTM C423/ISO 11654)
	Absorbs 94% of human speech frequencies
	Class A fire and smoke safety (UL 723/ASTM E84)
	CAL 133, 117 pass
	Sleek profile at only 1.4” thick
	Ceiling suspended
	CE certified for ceiling application
Designer	Gio Ponti

TL CEILING SUSPENDED UNIT COMPLETE KIT

Call your representative for stock levels and availability

Kit includes	01 Steel frame
	01 Ceiling plate
	03 Cables
	03 Cable fasteners
	01 TL Ceiling panel



Color	Part No
White	40040005**

Special Order
Color MOQ: 80



Chrome-plated ceiling plate

** Extended lead time

Extended lead time colors require: up to 10–12 weeks

Quick Ship items only show item number without additional notation

For larger swatches & full color options, please refer to pages 32–34.

SNOWSOUND

Panels available in special order colors. Special order colors require:

– MOQ varies from size to size

– Lead time up to 14–16 weeks

– +10% Custom service fee

Spec Guide 2024 V1.0

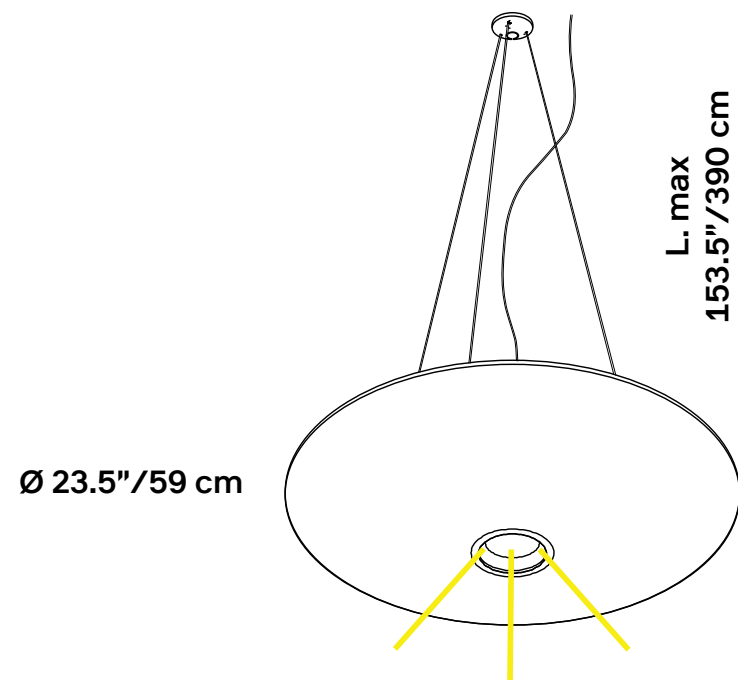
263

TL LUX CEILING SUSPENDED UNIT WITH LIGHT FIXTURE COMPLETE KIT

Call your representative for stock levels and availability

Wattage/Lumens: 6W / 350LM, CCT: 3000K, Projected lifetime: 30,000 hours,
Operating Temperature: 20°C – 50°C

Kit includes	01 Steel frame
	01 Ceiling plate
	03 Cables
	03 Cable fasteners
	01 TL Ceiling panel and lighting system



Color	Part No
White	40040006**

Special Order
Color MOQ: 80



Chrome-plated ceiling plate

** Extended lead time

Extended lead time colors require: up to 10–12 weeks

Quick Ship items only show item number without additional notation

For larger swatches & full color options, please refer to pages 32–34.

Panels available in special order colors. Special order colors require:

- MOQ varies from size to size
- Lead time up to 14–16 weeks
- +10% Custom service fee

TRA LIGHT



TRA LIGHT

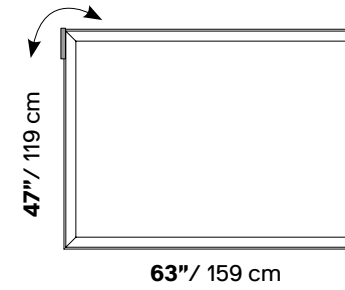
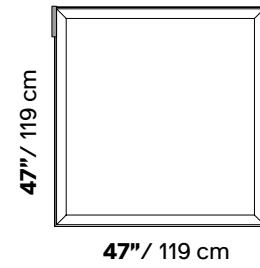
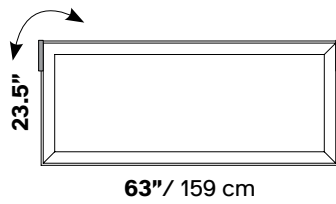
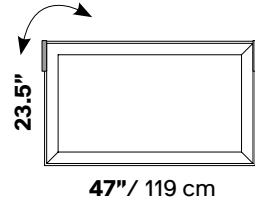
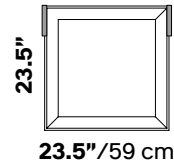


The TRA LIGHT system enables Snowsound technology panels to be suspended from a pair of steel cables using oscillating metal joints placed at the upper corners. The panels can be freely fixed along the cables, while the oscillating joints maintain vertical orientation.

Specs	Polyester internal padding with Snowsound technology, polyester covering in Trevira CS® fabric
	Single material and 100% recyclable
	Eco friendly – Greenguard Gold
	Durable, tackable double-sided surface
	Patented variable density composition
	Class A sound absorption with NRC 1.0 (ISO 354/ASTM C423/ISO 11654)
	Absorbs 94% of human speech frequencies
	Class A fire and smoke safety (UL 723/ASTM E84)
	CAL 133, 117 pass
	Sleek profile at only 1.4” thick
	Ceiling suspended
	CE certified for ceiling application
Designer	Marc Sadler

TRA LIGHT PANELS

Call your representative for stock levels and availability



	Color	Part No	Part No	Part No	Part No	Part No
	White	40039077	40039091	40039030	40039042	40039046
	Silver	40039084	40039098	40039029	40039041	40039045
	Gray					
	Charcoal	40039086	40039100	40039031	40039043	40039047
	Gray					
	Slate	40039088	40039102	40039053	40039057	40039066
	Blue					
	Beige	40039079**	40039093**	40039035	40039061**	40039070**
	Dove	40039078**	40039092**	40039032	40039044**	40039048**
	Gray					
	Sun	40039080**	40039094**	40039036**	40039063**	40039072**
	Yellow					
	Carrot	40039085**	40039099**	40039033	40039060**	40039069**
	Orange					
	Red	40039081**	40039095**	40039037	40039062**	40039071**
		Special Order Color MOQ: 70	Special Order Color MOQ: 50	Special Order Color MOQ: 50	Special Order Color MOQ: 18	Special Order Color MOQ: 18

** Extended lead time

Extended lead time colors require: up to 10–12 weeks

Quick Ship items only show item number without additional notation

For larger swatches & full color options, please refer to pages 32–34.

Panels available in special order colors. Special order colors require:

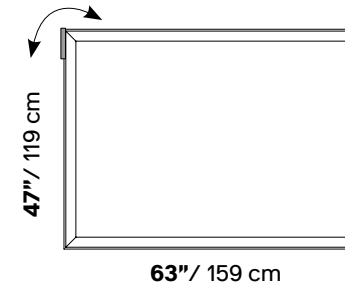
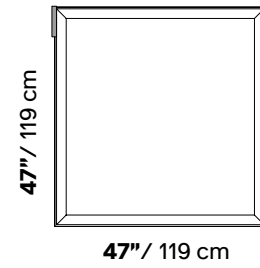
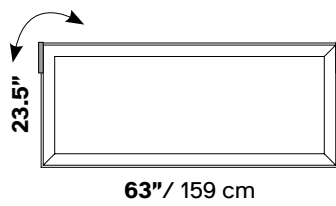
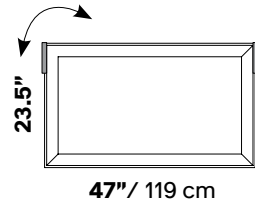
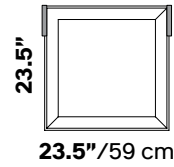
– MOQ varies from size to size

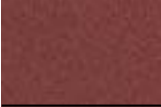





– Lead time up to 14–16 weeks

– +10% Custom service fee

TRA LIGHT PANELS

Call your representative for stock levels and availability



	Color	Part No	Part No	Part No	Part No	Part No
	Rustic Brick	40039087**	40039101**	40039052**	40039056**	40039065**
	Olive Green	40039082**	40039096**	40039038	40039064**	40039073**
	Dark Teal	40039089**	40039103**	40039055**	40039058**	40039067**
	Blue			40039034		
	Cool White		40025820**	40025818**	40039059**	40039068**
	Black				40039105**	40039106**
		Special Order Color MOQ: 70	Special Order Color MOQ: 50	Special Order Color MOQ: 70	Special Order Color MOQ: 50	Special Order Color MOQ: 50

** Extended lead time

Extended lead time colors require: up to 10–12 weeks

Quick Ship items only show item number without additional notation

For larger swatches & full color options, please refer to pages 32–34.

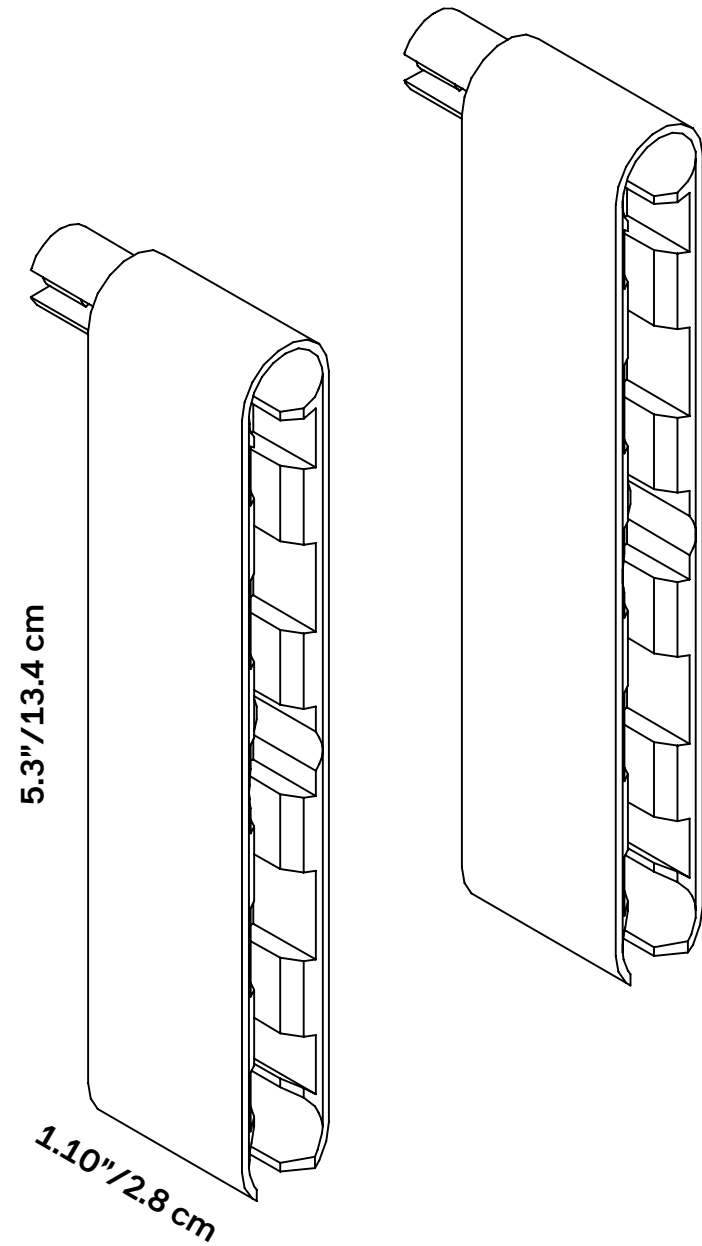
Panels available in special order colors. Special order colors require:

– MOQ varies from size to size

– Lead time up to 14–16 weeks

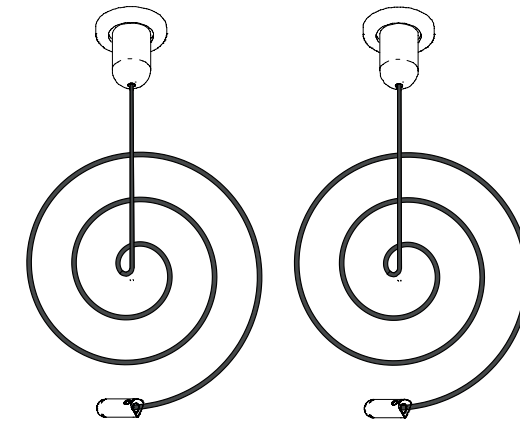
– +10% Custom service fee

TRA LIGHT COMPLETE KIT



For direct surface mounting on ceiling. Ceiling mounting screws not included.
Cables and ceiling plates sold separately.

Kit includes	01 Panel
	01 Pair of brackets

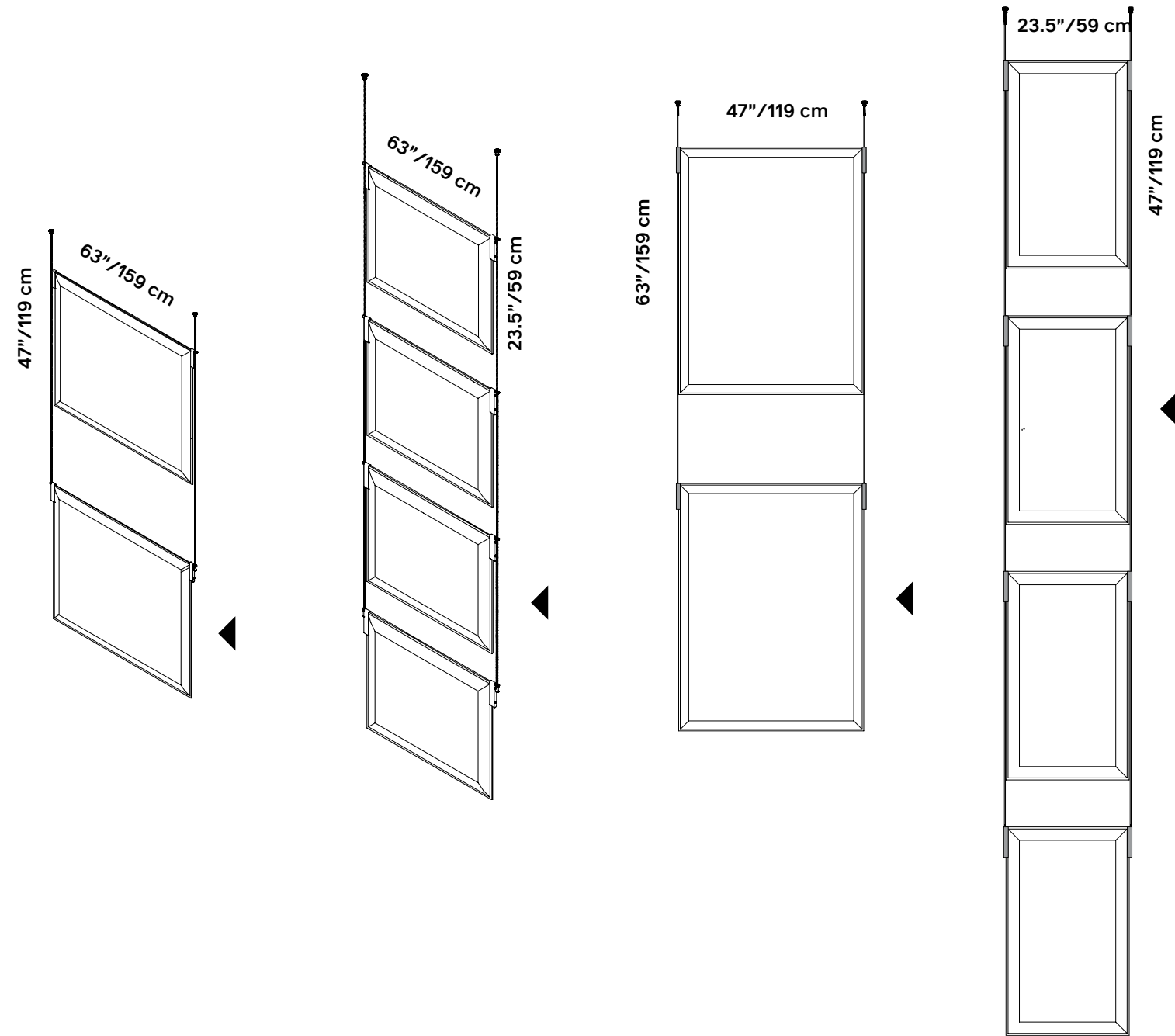


Pair of steel cables (157\"/>

Panel size	Fits All Sizes
Part No	40039004
QTY	01 Pair
Finish	Chrome
List Price	

TRA LIGHT TYPICALS

Suspend multiple panels from the ceiling



TRIBU



TRI BU



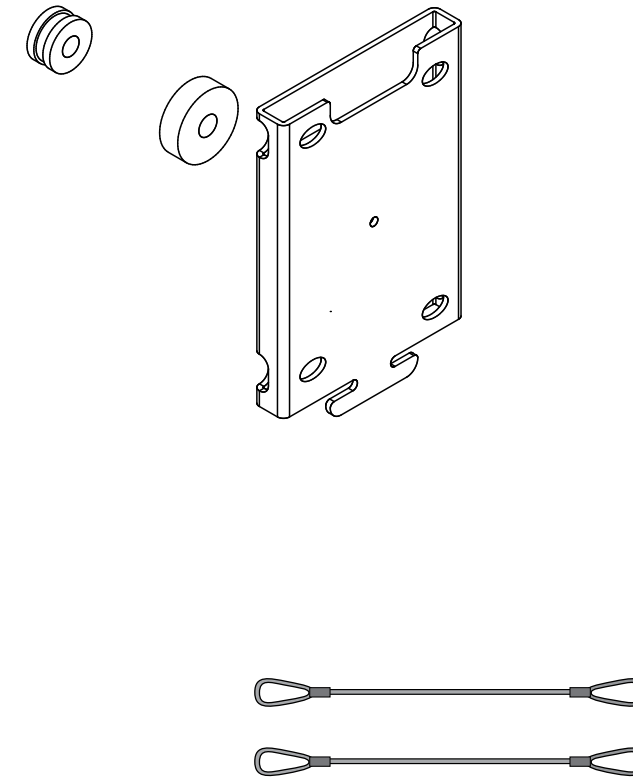
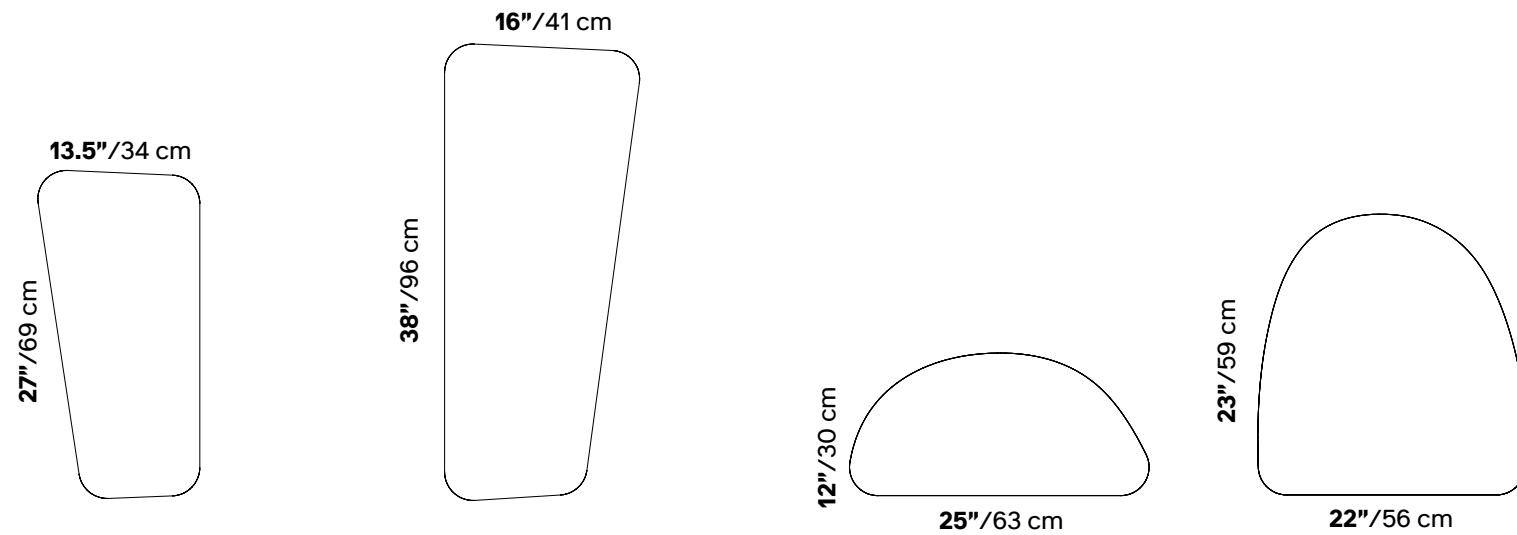
TRI BU are wall-mounted acoustic panels featuring Snowcustom technology. Consisting of four panels, TRI BU can be fixed to walls in various configurations using magnets.



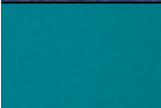

Specs	Polyester internal padding with Snowsound technology, polyester covering in Trevira CS® fabric
	Single material and 100% recyclable
	Eco friendly – Greenguard Gold
	Durable, tackable double-sided surface
	Patented variable density composition
	Class A sound absorption with NRC 1.0 (ISO 354/ASTM C423/ISO 11654)
	Absorbs 94% of human speech frequencies
	Class A fire and smoke safety (UL 723/ASTM E84)
	CAL 133, 117 pass
	Sleek profile at only 1.4” thick
Designer	Paola Navone – Otto Studio

TRI BU COMPLETE KIT

Tri Bu panels are “made-to-order.” Lead time 12 weeks (month of August excluded). Refer to pages 18 – 20 for larger swatches. Screws to fasten bracket to wall not included.

Kit includes **01 Fiber 1 textile fabric**
Magnetic wall connections



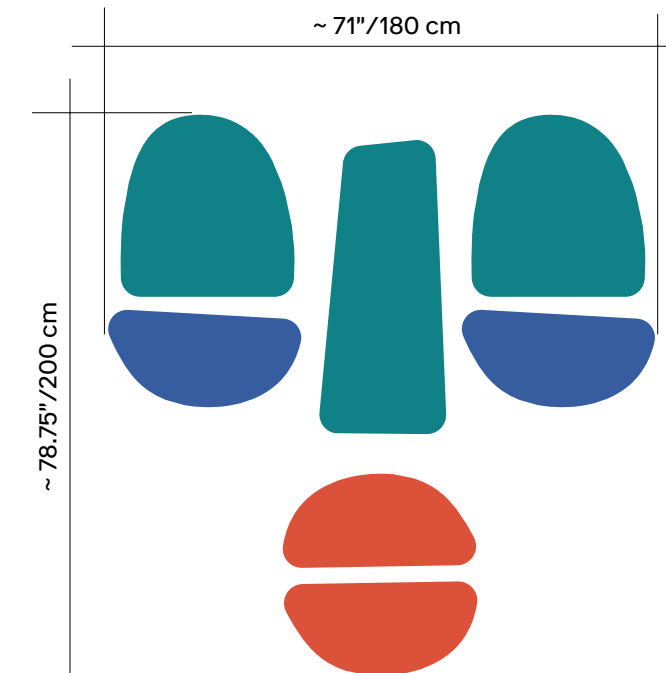
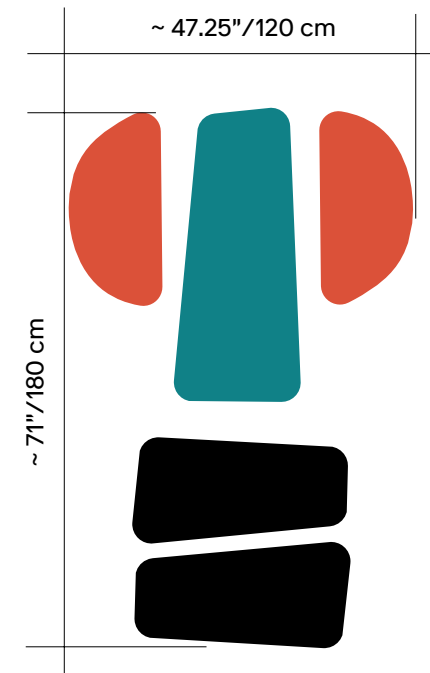
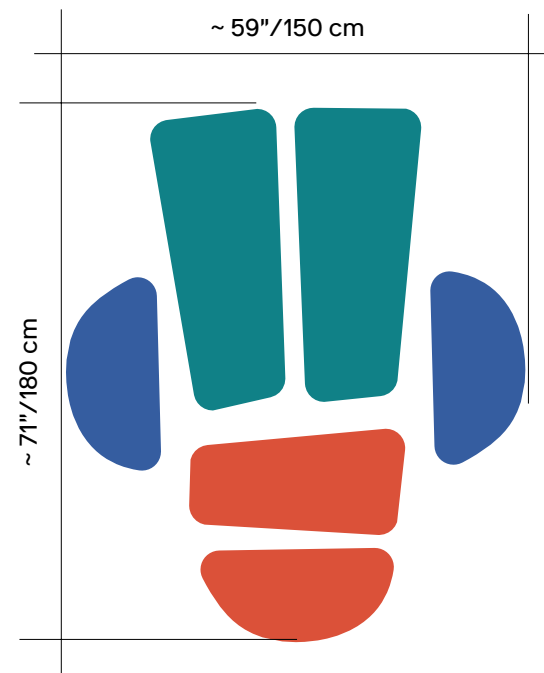
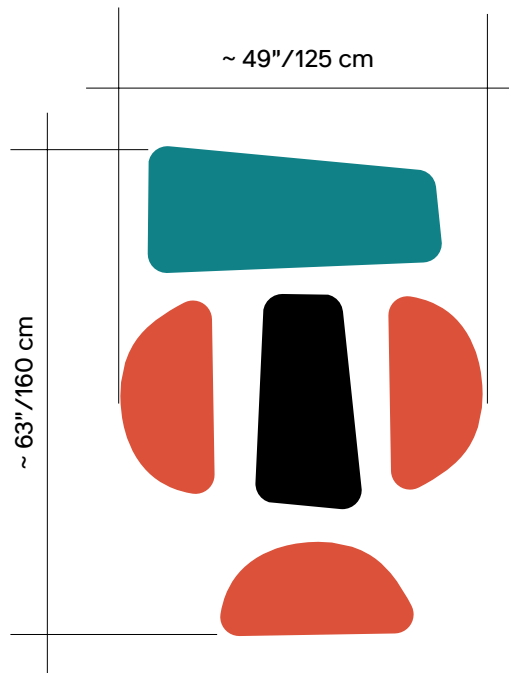
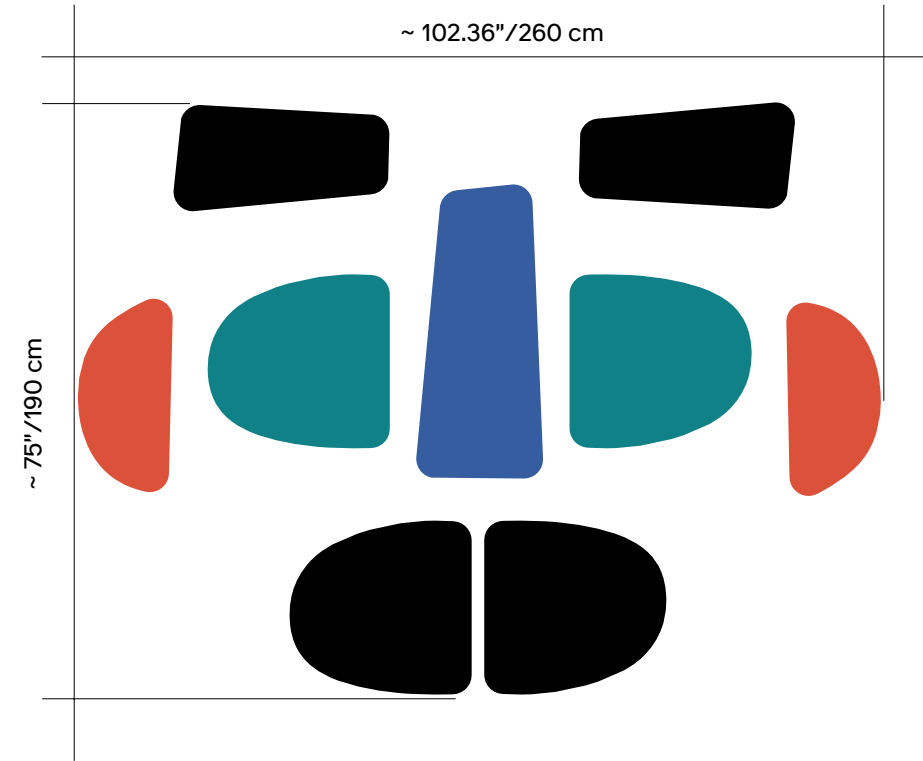
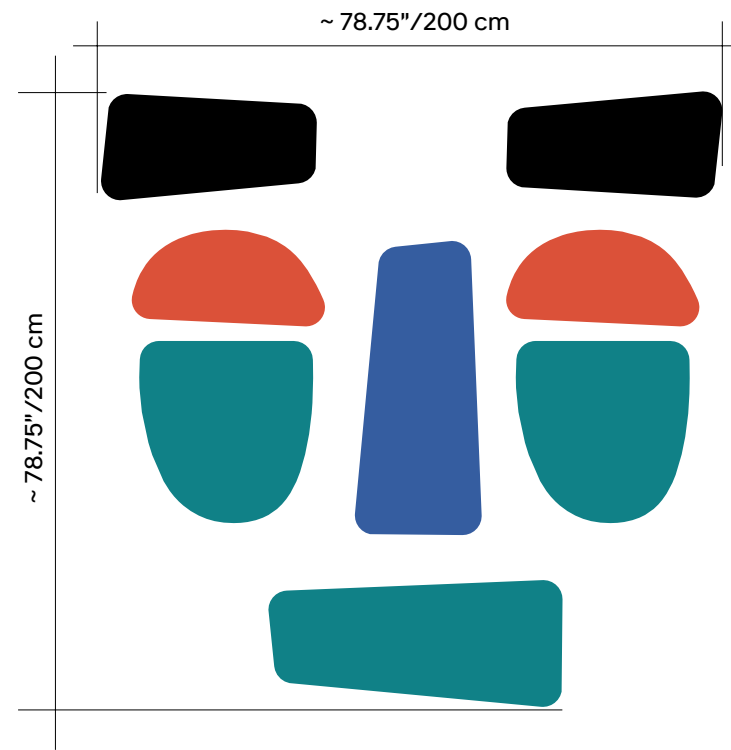
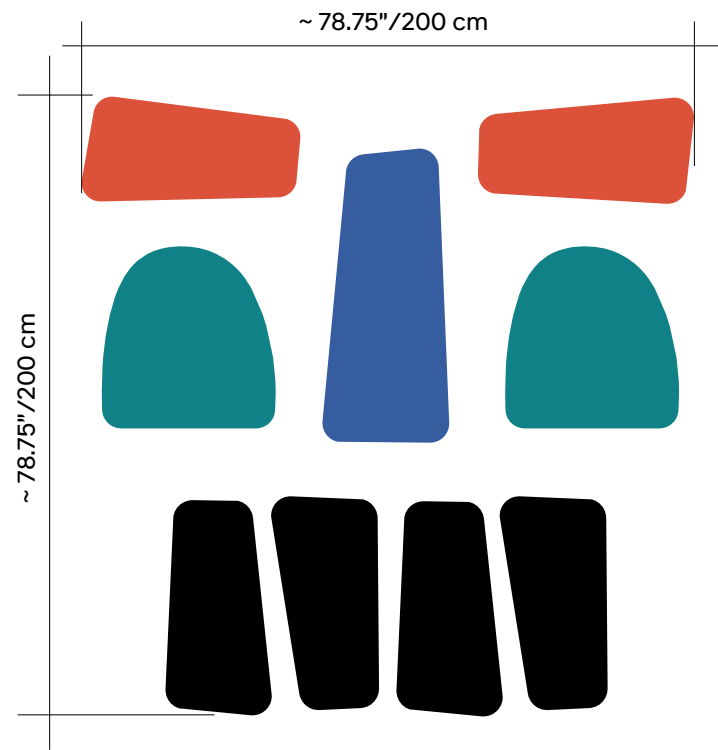
	Color	Part No	Part No	Part No	Part No
	Bright Coral	TRI1-3094		TRI4-3094	
	Blue	TRI1-6071	TRI2-6071	TRI4-6071	
	Seaside Blue		TRI2-7023	TRI3-7023	\$885.00
	Black	TRI1-8083		TRI3-8083	

Optional Safety Cables

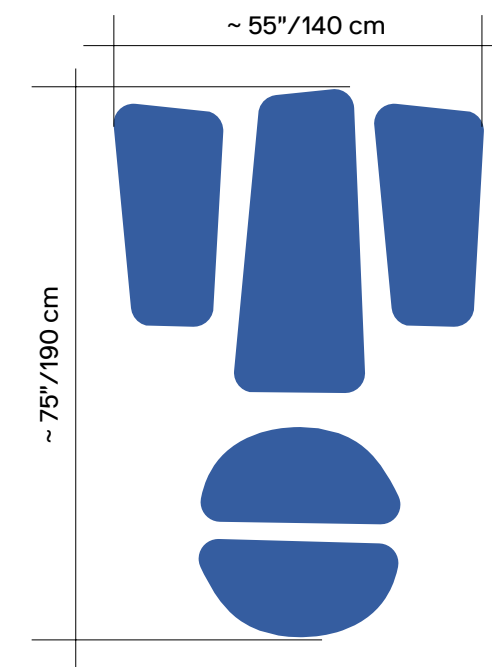
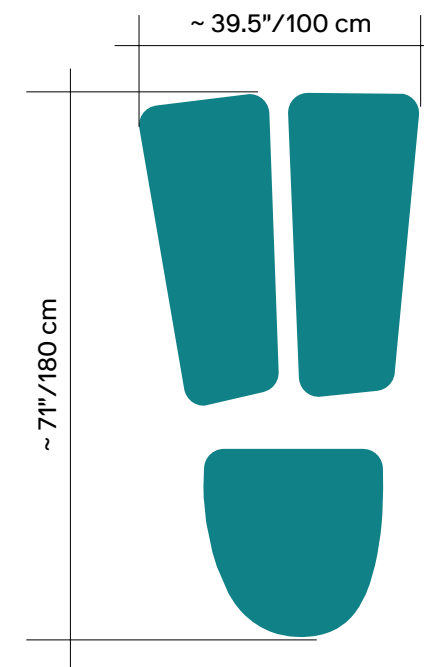
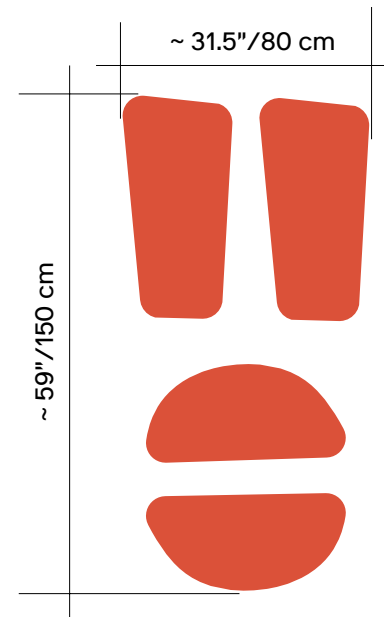
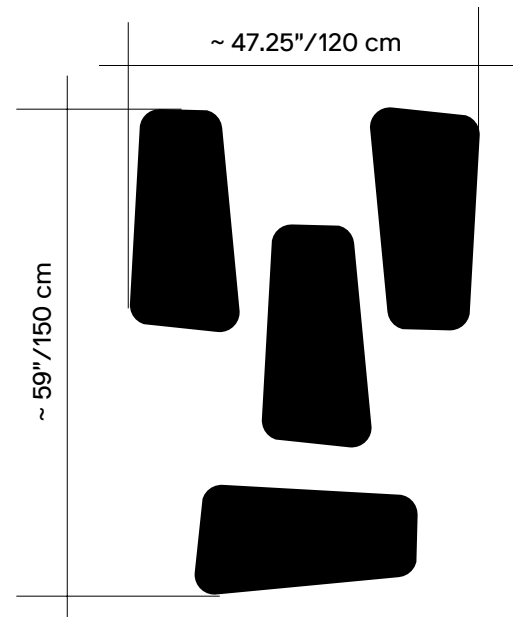
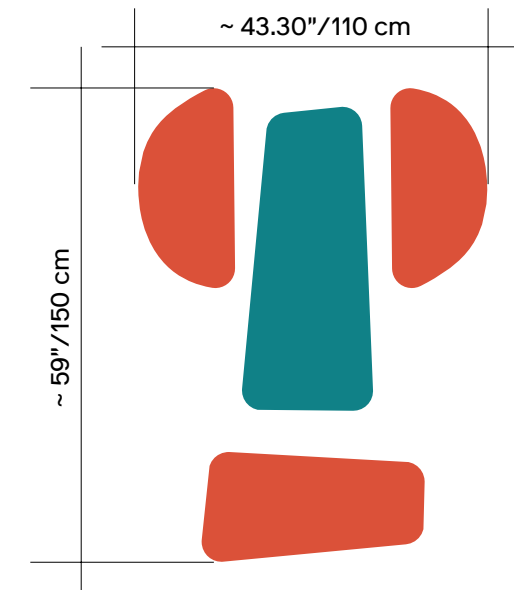
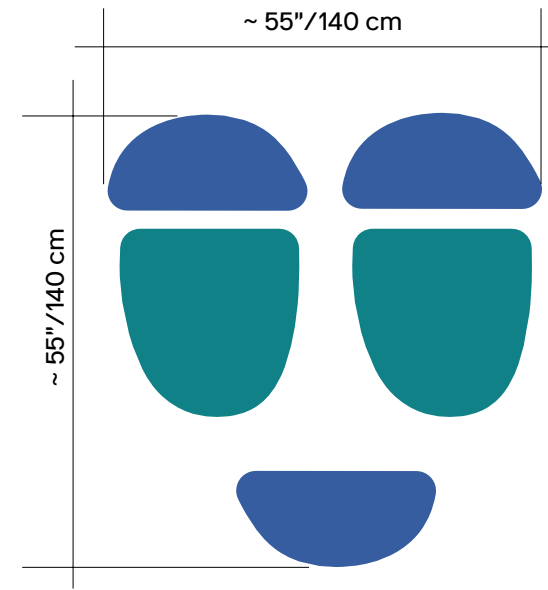
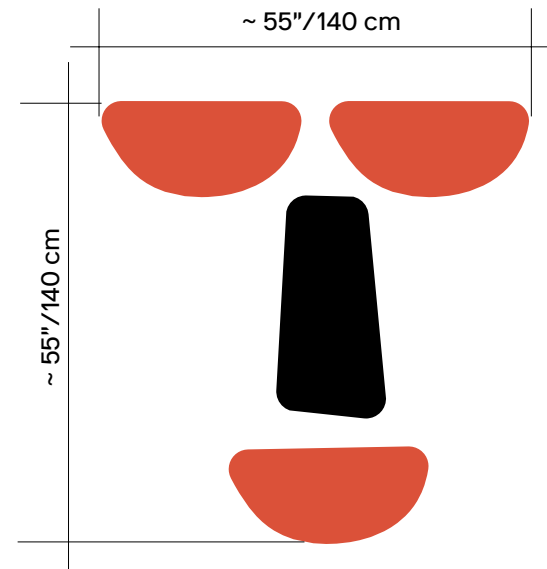
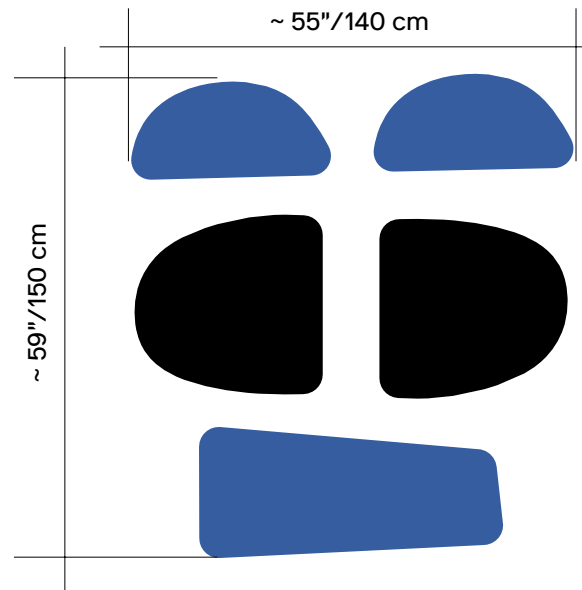
Panel size	Fits All Sizes
Part No	40046007
QTY	01 Pair
Finish	Steel

For larger swatches & full color options, please refer to pages 32–34.

TRI BU TYPICALS



TRI BU TYPICALS



CUBBY



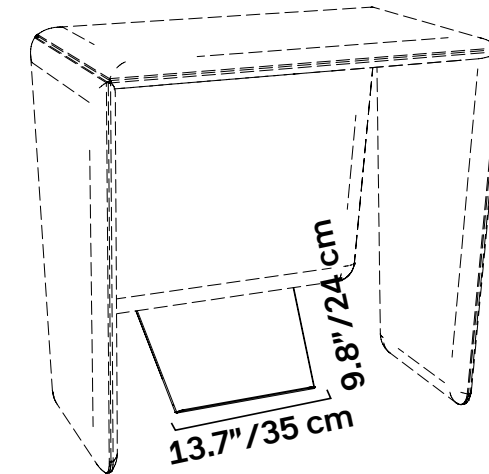
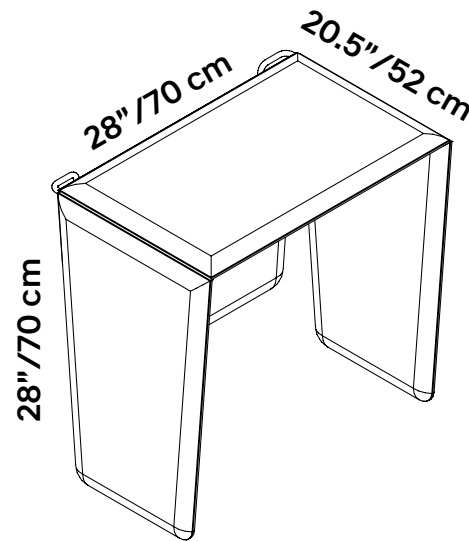
CUBBY

CUBBY is a comfortable phone booth composed of panels featuring sound-absorbing polyester foam covered in an external sound-absorbing polyester fabric, which is easy to clean. It also includes an independent load-bearing angled shelf made of powder-coated steel. The soft side-panels can move freely if bumped.



Specs	Polyester internal padding with Snowsound technology, polyester covering in Trevira CS® fabric
	Single material and 100% recyclable
	Eco friendly – Greenguard Gold
	Durable, tackable double-sided surface
	Class A fire and smoke safety (UL 723/ASTM E84)
	CAL 133, 117 pass
	Sleek profile at only 1.4” thick
Designer	Snowsound Lab

CUBBY COMPLETE KIT



Color	Part No
Silver	40020098
Gray	
Red	40020097
Apple Green	7CK700-7013**
Gray Ice	7CK700-300**
Azure	7CK700-305**
Gray Blue	7CK700-308**
Gray Green	7CK700-309**
Patina	7CK700-312**
Carbon Gray	7CK700-311**

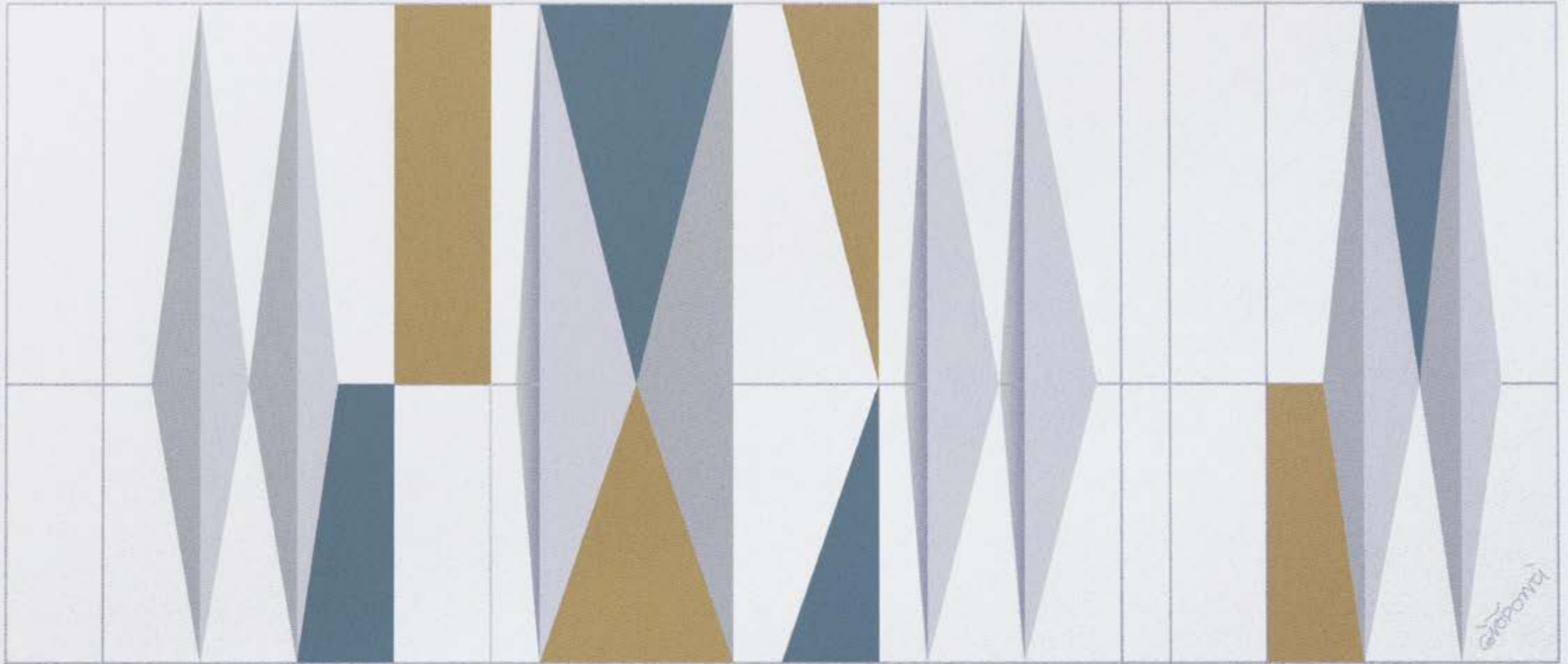
Optional angled shelf

Part No	40021090
QTY	01 Pair
Finish	Chrome

** Extended lead time
 Extended lead time colors require: up to 10-12 weeks

Quick Ship items only show item number without additional notation
 For larger swatches & full color options, please refer to pages 32-34 and pages 300-303.

SNOWSOUND ART



SNOWSOUND ART



The journey of SNOWSOUND ART began in 2017 with a collection of sound-absorbing panels that serve as 'canvases' featuring a series of drawings by Gillo Dorfles, a renowned painter, art critic, and theorist widely regarded as one of the greatest art scholars. The project continued in 2018 with works by Gio Ponti, a master of Italian and international design and architecture, and in 2019 with Sezgin Aksu, a designer and artist. Aksu was involved in the SNOWSOUND ART project, creating a series of works reproduced on the panels of the Giotto Collection, which he designed. In 2020, Alessandro Mendini's Ideas, Things artwork exemplified the necessity of dialogue between art and industry, serving as a foundation for any mass-produced product.

Specs	Polyester internal padding with Snowsound technology, polyester covering in Trevira CS® fabric
	Single material and 100% recyclable
	Eco friendly – Greenguard Gold
	Durable, tackable double-sided surface
	Patented variable density composition
	Class A sound absorption with NRC 1.0 (ISO 354/ASTM C423/ISO 11654)
	Absorbs 94% of human speech frequencies
	Class A fire and smoke safety (UL 723/ASTM E84)
	CAL 133, 117 pass
	Sleek profile at only 1.4" thick
	Wall mounted
	Ceiling suspended
Artists	Alessandro Mendini, Gillo Dorfles, Gio Ponti, Mario Trimarchi, and Sezgin Aksu

ALESSANDRO MENDINI ART PRINT PANELS

Designer: Alessandro Mendini



23.5"/59 cm

30"/75 cm

Ollo



23.5"/59 cm

23.5"/59 cm

Rimatra



47"/119 cm

63"/159 cm

Sic



47"/119 cm

63"/159 cm

Proust

Color	Part No	Part No	Part No	Part No
Sun	7SME086/OL-3008**			
Yellow				
White		7SME066/RI-001**		
Green				
White			7SME1216/S-001**	7SME1216/P-0001**

** Extended lead time

Extended lead time colors require: up to 10–12 weeks

Wall mounting brackets and ceiling suspension brackets kit are sold separately. Please refer to p.290

GILLO DORFLES ART PRINT PANELS

Designer: Gillo Dorfles

47"/119 cm



63"/159 cm

1955-2017

47"/119 cm



63"/159 cm

1955-2017

47"/119 cm



63"/159 cm

1955-2017

47"/119 cm



63"/159 cm

1955-2017

Color	Part No
White	7SG16/55-001**

Color	Part No
Red	7SG16/55-4027**

Color	Part No
Black	7SG16/55-8033**

Color	Part No
Orange	7SG16/55-4030**

** Extended lead time

Extended lead time colors require: up to 10-12 weeks

Wall mounting brackets and ceiling suspension brackets kit are sold separately. Please refer to p.290

GILLO DORFLES ART PRINT PANELS

Designer: Gillo Dorfles



Color	Part No	Part No	Part No	Part No
White	7SG12/98-0001**		7SG16/37-0001**	7SG16/91-0001**
Black		7SG12/98-8033**		

** Extended lead time
 Extended lead time colors require: up to 10-12 weeks
 Wall mounting brackets and ceiling suspension brackets kit are sold separately. Please refer to p.290

GIO PONTI ART PRINT PANELS

Designer: Gio Ponti



Labyrinth, 1941–1947



Drawn Letters



SUPERGATTOMAGGIORE



Drawn Letters

Color	Part No	Part No	Part No	Part No
White	7SP1216/1-0001**	7SP0606/1-0001**	7SP0606/2-0001**	7SP0806/1-0001**

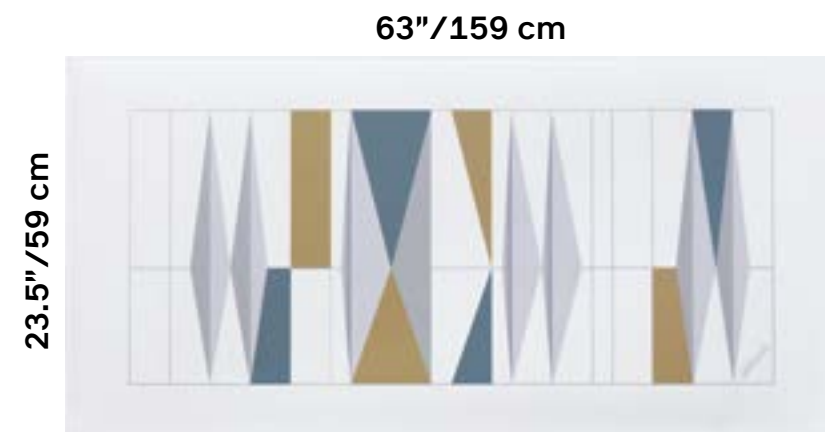
** Extended lead time

Extended lead time colors require: up to 10–12 weeks

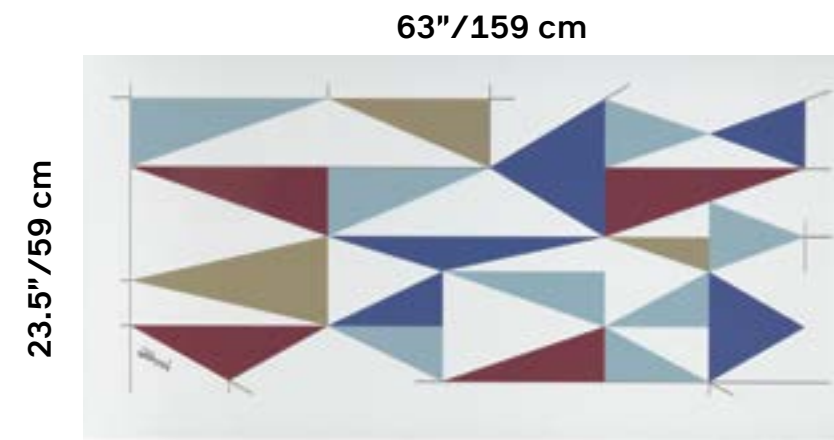
Wall mounting brackets and ceiling suspension brackets kit are sold separately. Please refer to p.290

GIO PONTI ART PRINT PANELS

Designer: Gio Ponti



Villa Namazee, 1955–1964



Painted Door, 1957

Color	Part No
White	7SP1206/1-0001**

Part No
7SP1606/1-0001**

** Extended lead time

Extended lead time colors require: up to 10–12 weeks

Wall mounting brackets and ceiling suspension brackets kit are sold separately. Please refer to p.290

GIOTTO OTTOMAN 2019 PRINT COMPLETE KIT

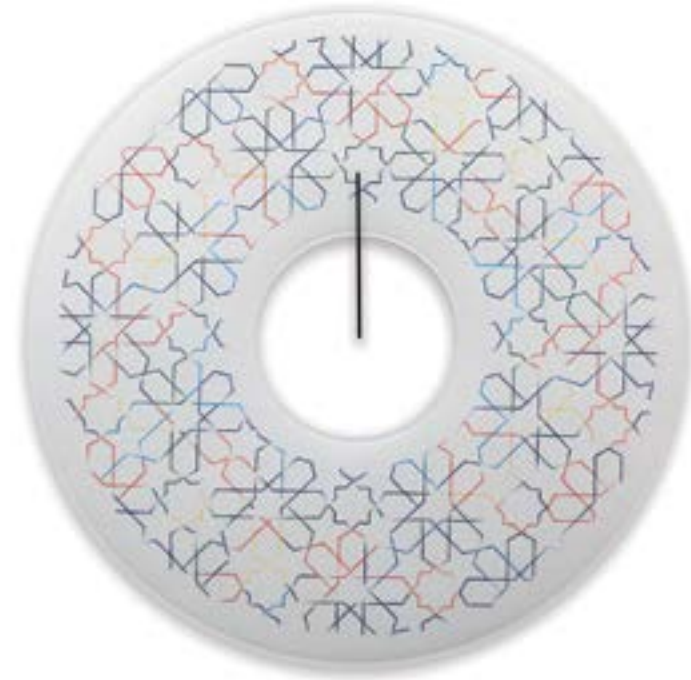
Designer: Sezgin Aksu

Kit includes

01 Wall mount bracket

01 Giotto panel

ø 47"/119 cm



Color	Kit No Gloss Black	Kit No Chrome Plated
White	7GWS/CNM-0001**	7GWS/CC-001**

** Extended lead time

Extended lead time colors require: up to 10–12 weeks

Wall mounting brackets and ceiling suspension brackets kit are sold separately. Please refer to p.290

SNOWSOUND



Gloss Black Bracket



Chrome Plated Bracket

GIOTTO OVAL LINES 2019 PRINT COMPLETE KIT

Designer: Sezgin Aksu

Kit includes

01 Wall mount bracket

01 Giotto oval panel

63"/159 cm



Color	Kit No Gloss Black	Kit No Chrome Plated
White	7GOWS/RC-0001**	7GOWS/RNM-0001**

** Extended lead time

Extended lead time colors require: up to 10–12 weeks

Wall mounting brackets and ceiling suspension brackets kit are sold separately. Please refer to p.290

SNOWSOUND



Gloss Black Bracket



Chrome Plated Bracket

GIOTTO OVAL NATURE 2019 PRINT COMPLETE KIT

Designer: Sezgin Aksu

Kit includes

01 Wall mount bracket

01 Giotto oval panel

63"/159 cm



Color	Kit No Gloss Black	Kit No Chrome Plated
White	7GOWS/FC-8004**	7GOWS/FNM-8004**

** Extended lead time

Extended lead time colors require: up to 10–12 weeks

Wall mounting brackets and ceiling suspension brackets kit are sold separately. Please refer to p.290

SNOWSOUND



Gloss Black Bracket



Chrome Plated Bracket

MARIO TRIMARCHI ART COMPLETE SET

Designer: Mario Trimarchi

Kit includes

02 Snowfix Smart panels hangers

01 Panel

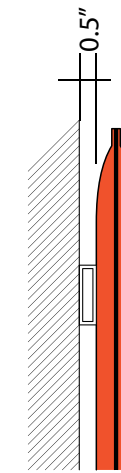
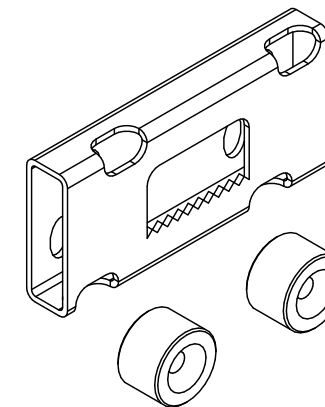
ø 46"



ø 46"



ø 46"



Color

Iris

Peony

Poppy

White 7MT117/I-0001**

7MT117/C-0001**

7MT117/P-0001**

Connections details for nails/hooks and wall mounted fixings included.

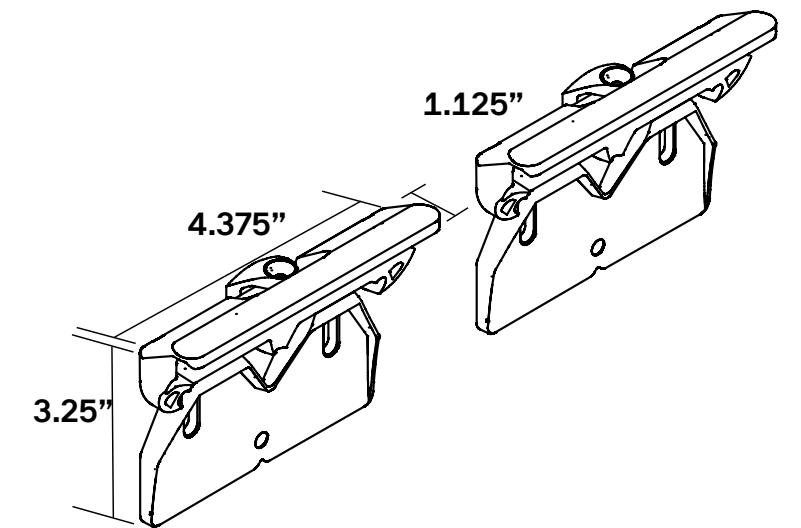
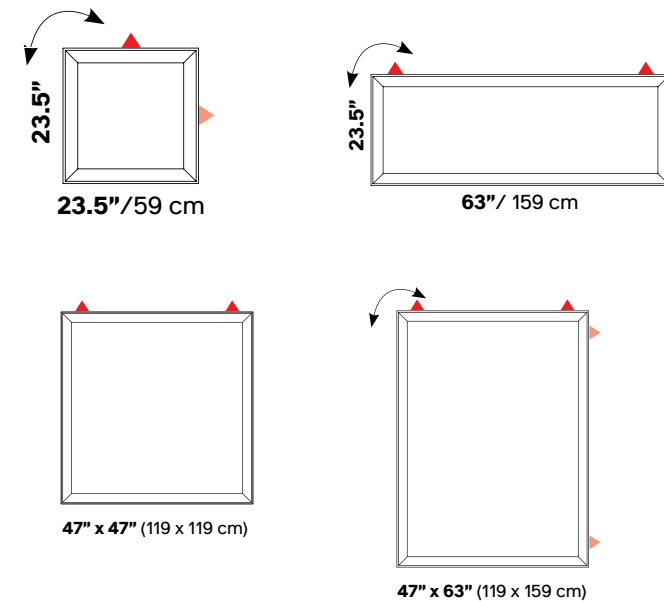
** Extended lead time

Extended lead time require: up to 10–12 weeks.

SNOWSOUND ART WALL MOUNTING BRACKETS

Pair of wall brackets come in either in a satin nickel or matte white finish. (Screws to fasten bracket to wall not included).

Panel size	Fits All Sizes	Fits All Sizes
Part No	40025090	40025091
QTY	01 pair	01 pair
Finish	Matte White	Satin Nickel

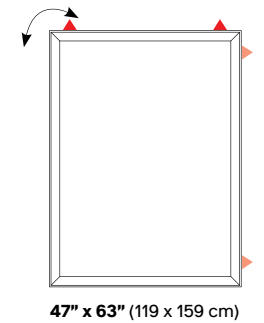
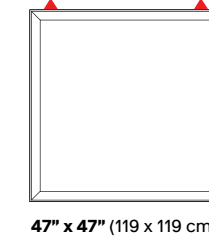
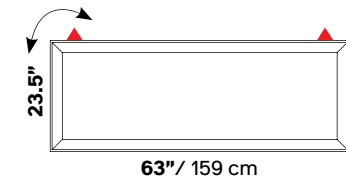
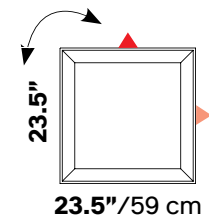


This symbol indicates the number of brackets required to hang panel. Panels can be mounted either horizontally or vertically.

SNOWSOUND ART WALL MOUNTING HANGERS

Hangers come in pairs: some orientations require only 1 Panel Hanger. (Wall mounting screws not included). Panels sold separately.

Panel size	Fits All Sizes
Part No	40025586
QTY	01 Pair
Finish	Matte White



This symbol indicates the number of brackets required to hang panel. Snowsound art panels might only require one bracket.

SNOWSOUND ART 47"X 47" CEILING SUSPENSION COMPLETE KIT

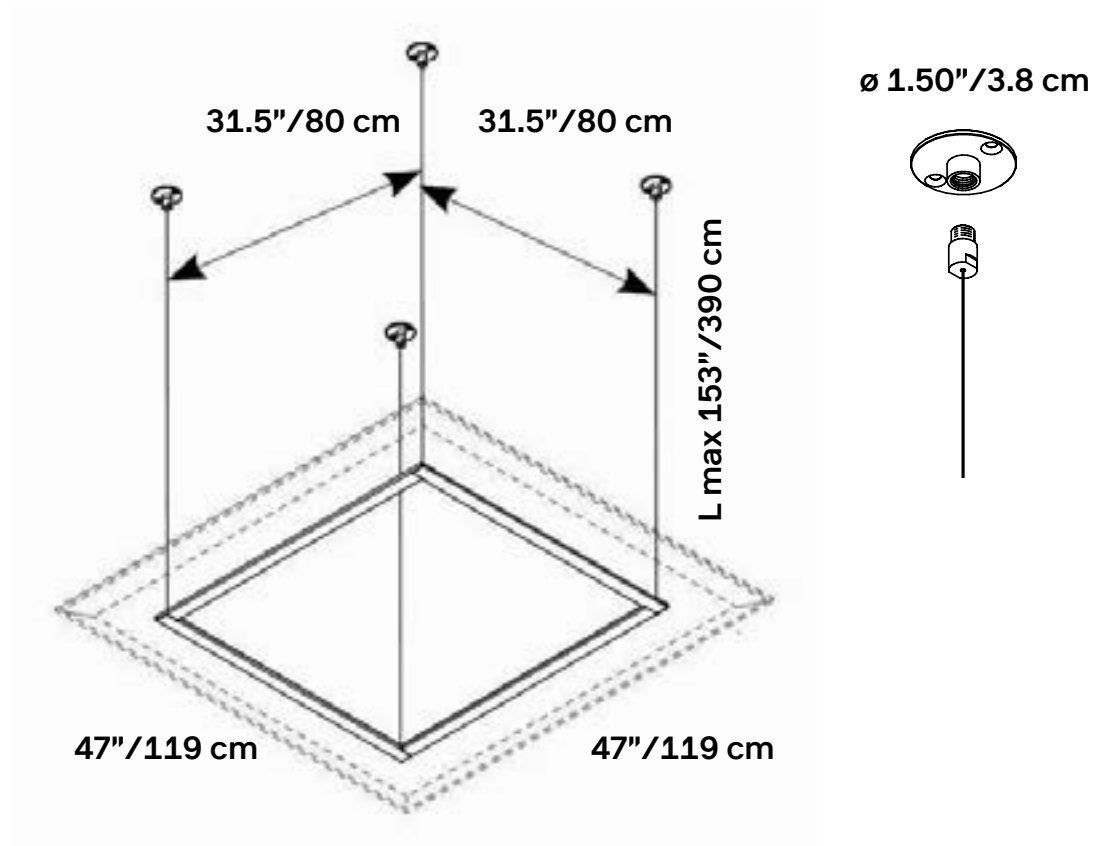
Kit includes

01 Hanging frame

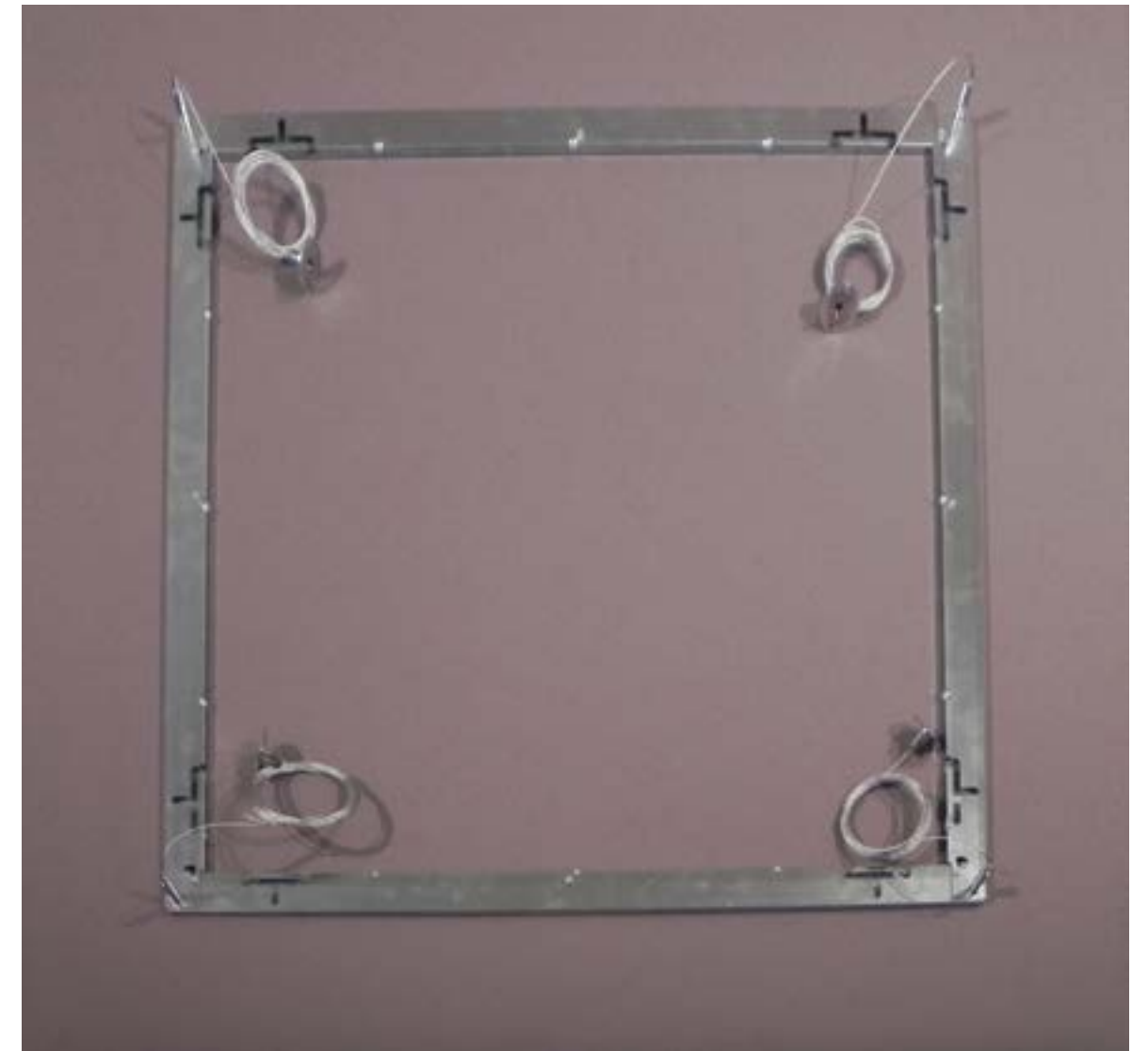
04 Cables

04 Panel fasteners

04 Ceiling plates



Panel size	47" x 47"
Part No	40025233
QTY	Hardware only
Finish	Metal



SNOWSOUND ART 47"X 63" CEILING SUSPENSION COMPLETE KIT

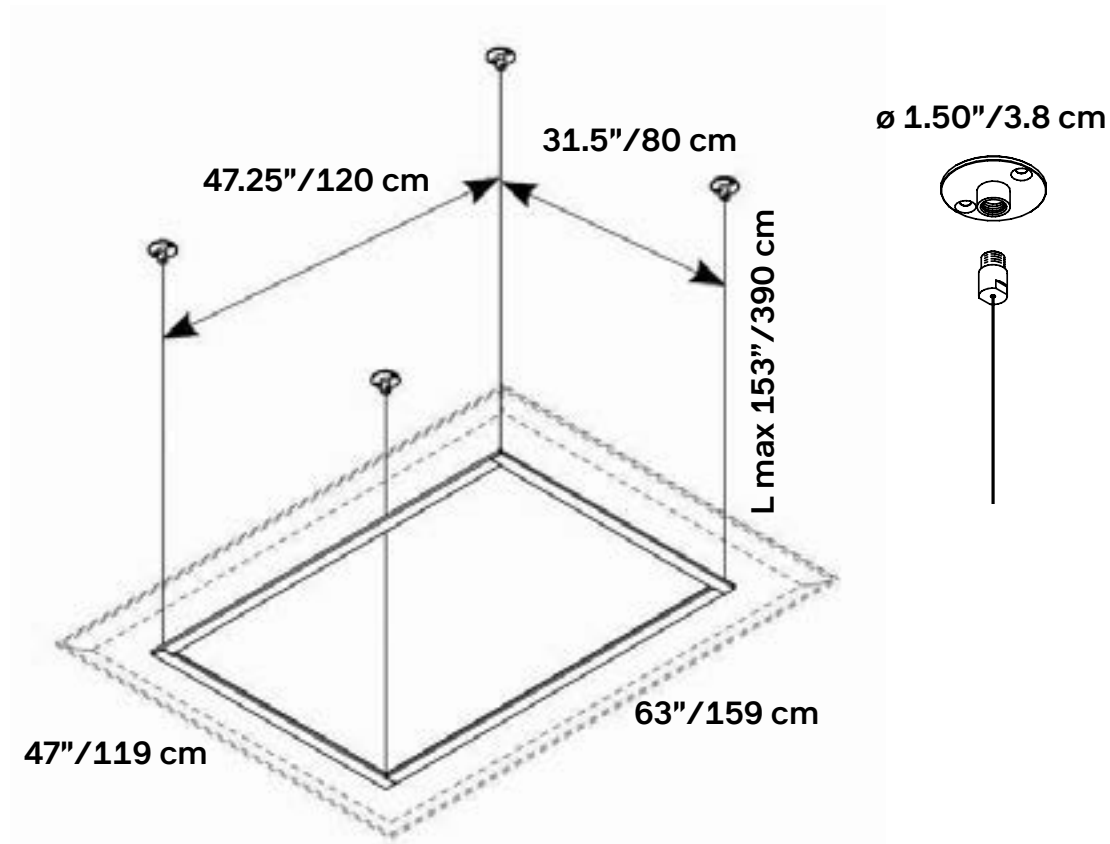
Kit includes

01 Hanging frames

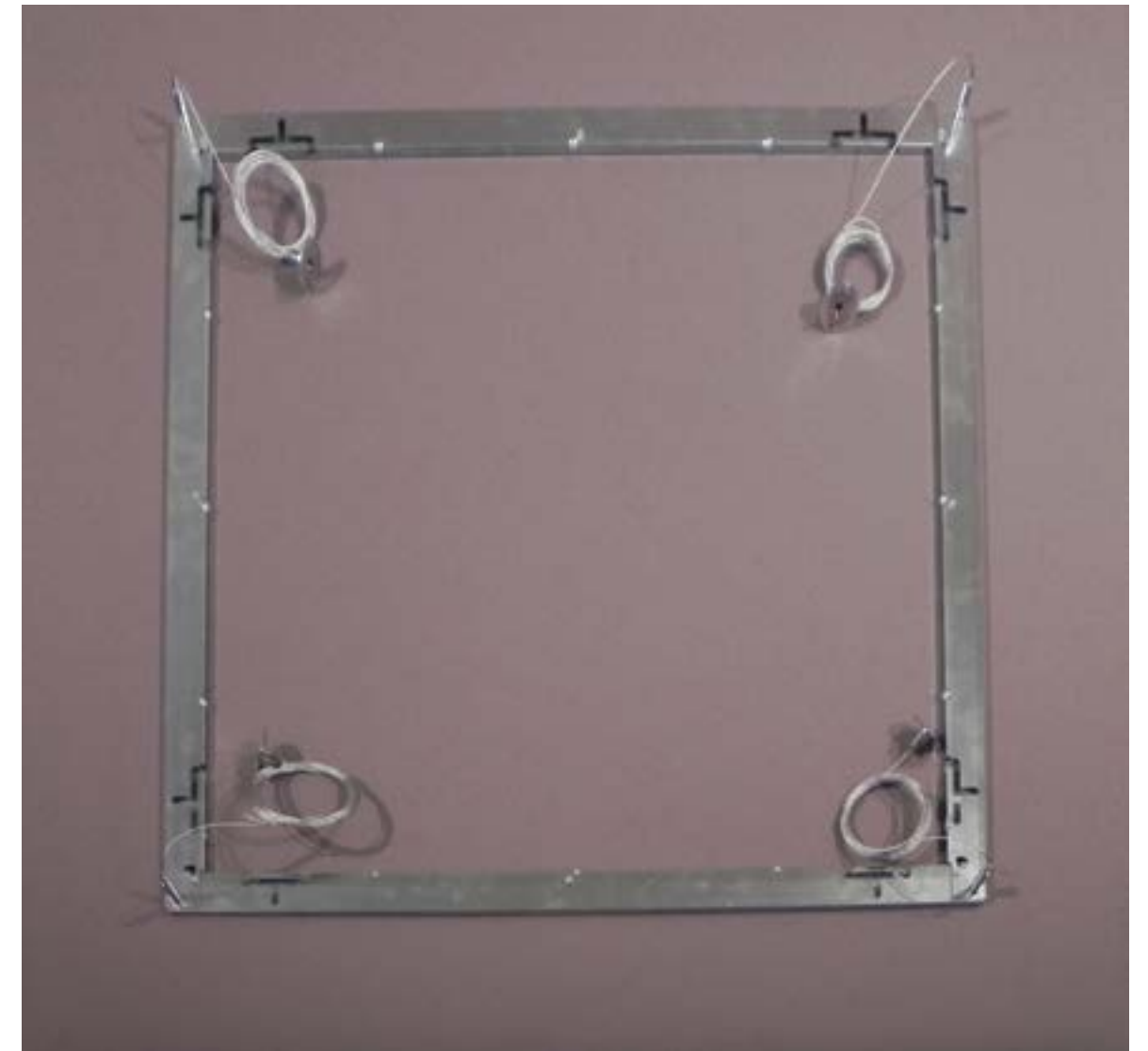
04 Cables

04 Panel fasteners

04 Ceiling plates



Panel size	47" x 63"
Part No	40025234
QTY	Hardware only
Finish	Metal

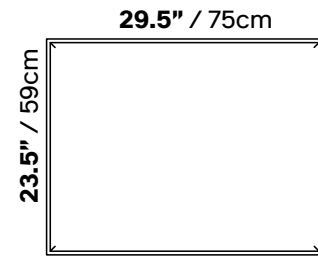


SPECIAL ORDER SIZES

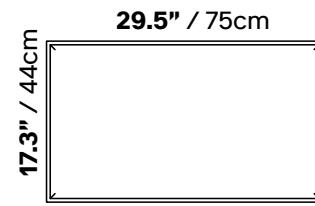


SPECIAL ORDER SIZES

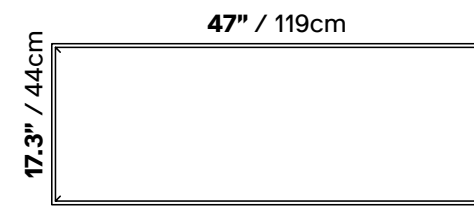
Extended lead time 12–14 weeks. Panels below can be used for Baffle, Baffle Direct, Corner, Minimal, Snowfix, Snowmagnet Easy, Snowfront, Pagoda, Tra Light. Contact local rep or info@snowsoundusa.com for pricing.



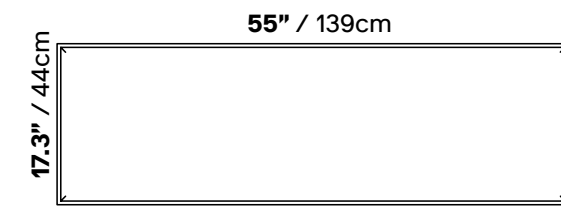
23.5" x 29.5"



17.3" x 29.5"

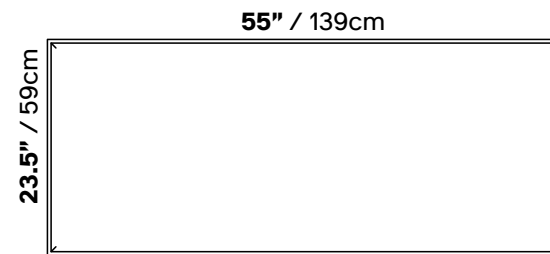


17.3" x 47"

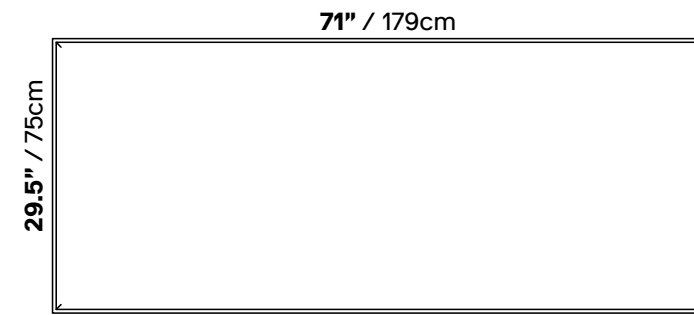


17.3" x 55"

Panels



23.5" x 55"



29.5" x 71"

Panels

CUSTOMIZATION



SILK SCREENING DESIGNS OR LOGOS CUSTOMIZATION

Pricing below is per panel charge for QTY of 01 silk screen design or logo on panel. Design or logo to be verified to confirm printing allowability. Per-panel price will decrease with higher order quantities. Panels priced separately. Please contact Snowsound for a quote. All prices refelected are NET.

23.5" x 23.5"
59 cm x 59 cm



23.5" x 47"/59 cm x 119 cm



23.5" x 47"
59 cm x 119 cm



23.5" x 63"/59 cm x 159 cm



23.5" x 63"
59 cm x 159 cm



47" x 47"/119 cm x 119 cm



47" x 63"/119 cm x 159 cm



47" x 63"/119 cm x 159 cm



ACOUSTIC FIBER PRODUCTS



ACOUSTIC FIBER PRODUCTS



Click & jump to
the selected page

Snowsound Fiber Product Swatches	300
Bemolle	304
Clasp Divider	307
Clasp Ring	313
Diesis	317
Milano	321
Sepa'	325
Sepa' Rolls	328
Si Sboccia	331
Pinna	335
Obelisco	338

SNOWSOUND FIBER: FIBER 1 COLOR



White 0001



Silver Gray 8004



Beige 1008



Dove Gray 2005



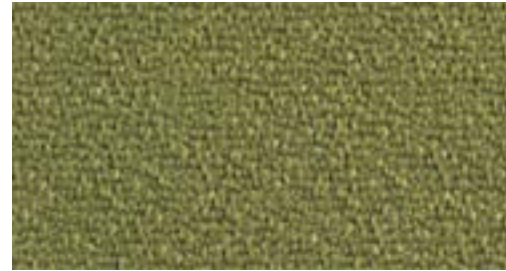
Sun Yellow 3008



Carrot Orange 4030



Red 4027



Olive Green 7004

SNOWSOUND FIBER: FIBER 3 MELANGE



Gray Ice 300



Anthracite 302



Gray Taupe 303



Gray Beige 304



Azure 305



Gray Burgundy 306



Gray Plum 307



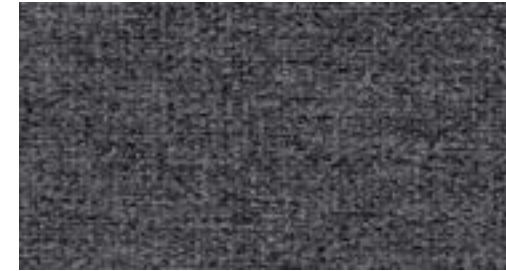
Gray Blue 308



Gray Green 309



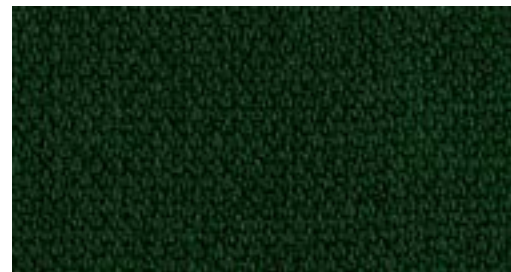
Gray Gold 310



Carbon Gray 311



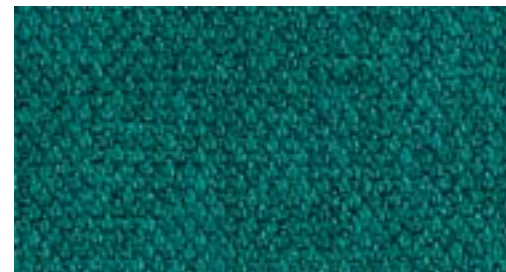
Patina 312



Evergreen 313



Admiral Blue 314



Fiji 315



Ivory** 316

** New swatches

SNOWSOUND FIBER: FIBER 6 VELVET



Red 600



Coffee Brown 601



Black 602



Teal 603



Beige 604



Cream 605



Powder Pink 606



Medium Gray 607



Forest Green 608



Powder Blue 609



Mustard Gold 610



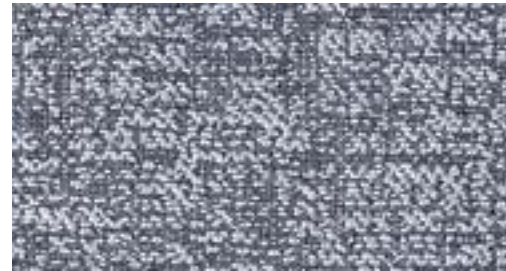
Navy Blue 611

SNOWSOUND FIBER: FIBER 8 BOUCLÉ



Dove Coffee

800



Gray Ice

801



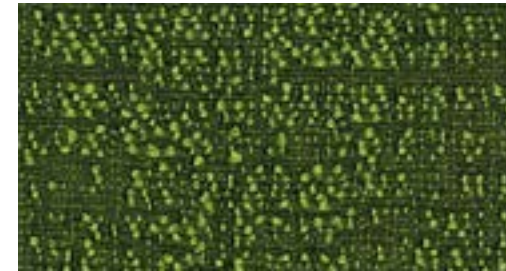
Gray Beige

802



Graphite

803



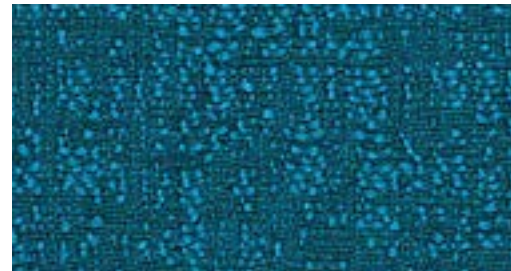
Clover

804



Oxford

805



Syreni Blue

806



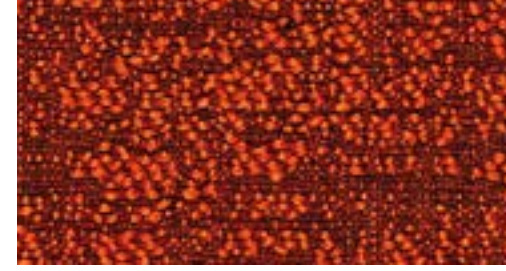
Obsedian

807



Garnet

808



Sandstone

809



Frost**

810



Rhino**

811



Sahara**

812



Yosemite**

813



Arctic**

814



Mint**

815

** New swatches

BEMOLLE



BEMOLLE

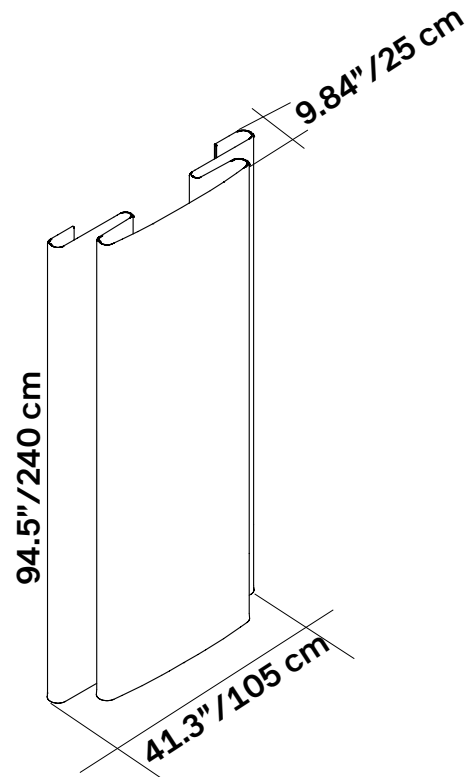






BEMOLLE features a structure made of black epoxy powder-coated steel. The drapery is crafted from Snowsound-Fiber 6 Velvet polyester, with stitching done using polyester thread. The drapery is applied to the upper structure using steel removable fixings.

Specs	Single material and 100% recyclable
	Eco friendly – Greenguard Gold
	Class A sound absorption with (ISO 354)
	Machine washable up to 140 degrees F.
	Outer fabric removable
	Class A fire and smoke safety (UL 723/ASTM E84)
	CAL 133, 117 pass
	Wall mounted
Design	Atelier Mendini

BEMOLLE WALL MOUNTED COMPLETE KIT

Call your representative for stock levels and availability



Color	Part No
 605 Cream	7ASFD30-605**
 603 Teal	7ASFD30-603**
 600 Red	7ASFD30-600**
 610 Mustard	7ASFD30-610**

Complete Unit Includes	BEMOLLE fabric
	Wall mounting frame

Structure in black epoxy powder-coated steel.
 Drapery made of Fiber 6 Velvet polyester, stitching made of polyester thread.
 The drapery is applied to the upper structure through steel removable fixings.

** Extended lead time
 Extended lead time colors require: up to 10-12 weeks

Quick Ship items only show item number without additional notation
 For larger swatches & full color options, Please refer to pages 300-303.

CLASP DIVIDER



CLASP DIVIDER

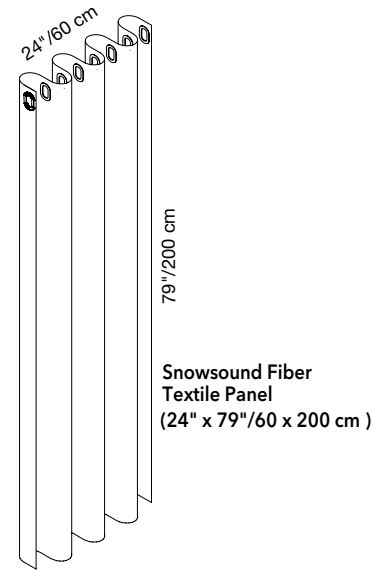
In the CLASP DIVIDER, the Snowsound Fiber acoustic textiles is placed on a modular structure made of chromed metal suspended on cables with a height adjustment system. Thanks to the metal joints the structure is freely configurable and allows infinite compositions. The fabric slipcover is removable.



Specs	Single material and 100% recyclable
	Eco friendly – Greenguard Gold
	Class A sound absorption with (ISO 354)
	Machine washable up to 140 degrees F.
	NRC up to .90
	Fiber 1 Color antimicrobial textile
	Class A fire and smoke safety (UL 723/ASTM E84)
	CAL 133, 117 pass
	Ceiling suspended
	CE certified for ceiling application
Design	Annalisa Dominoni & Benedetto Quaquari

CLASP DIVIDER TEXTILE PANEL

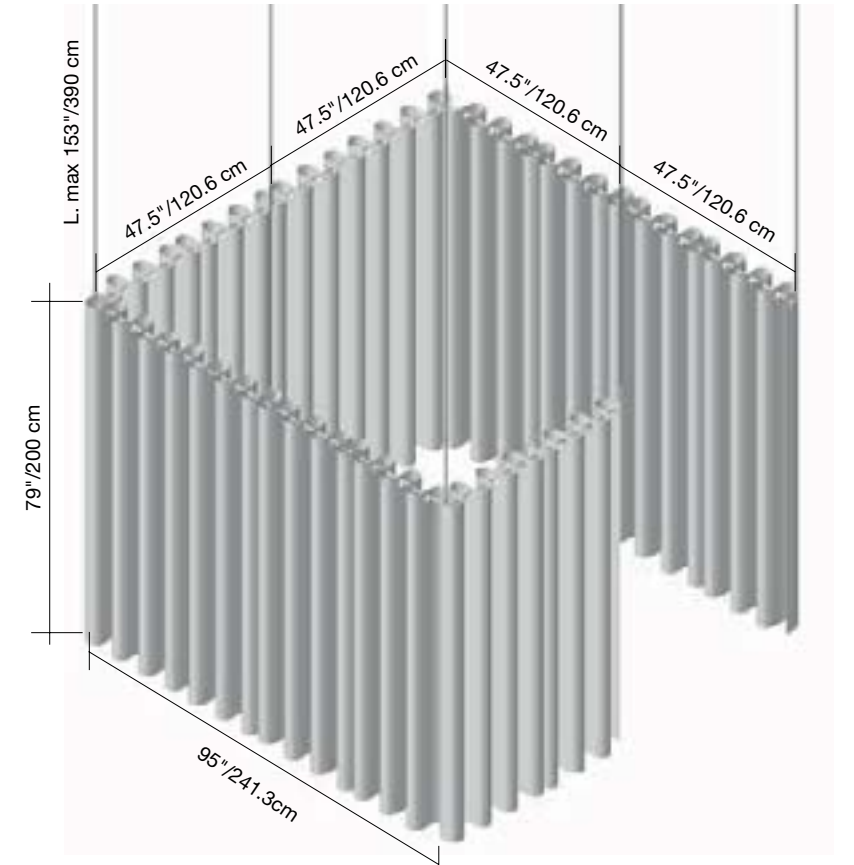
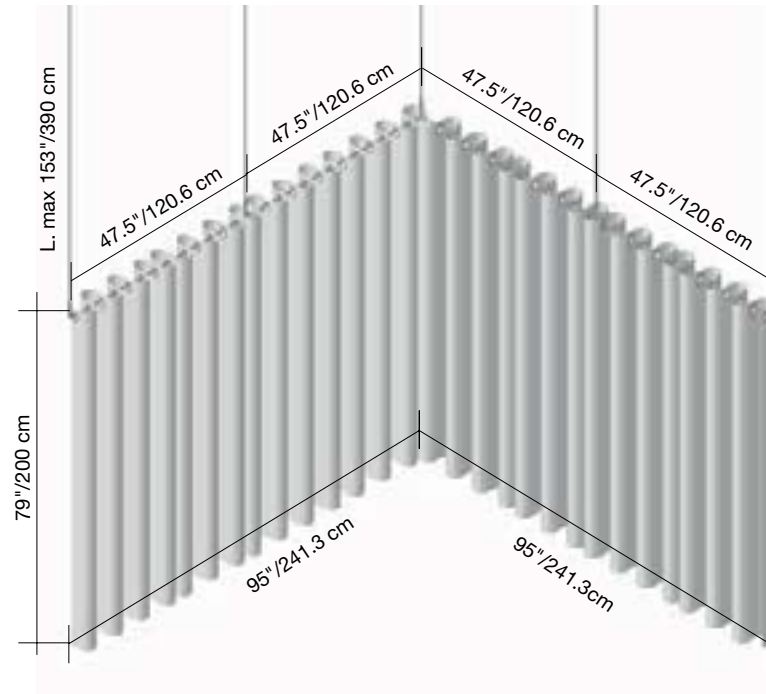
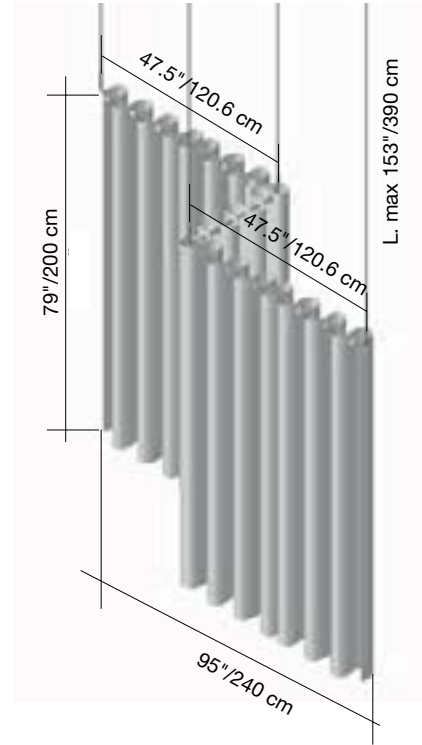
Call your representative for stock levels and availability



	Color	Part No
	300 Gray Ice	40041018
	305 Azure	40041019
	310 Gray Gold	40041021
	309 Gray Green	40041092
	306 Gray Burgundy	40041020

Quick Ship items only show item number without additional notation
For larger swatches & full color options, Please refer to pages 300–303.

CLASP DIVIDER TYPICALS



Item No	40041017: 4 ft (1.2 m) Support Rod (x2)	40041017: 4 ft (1.2 m) Support Rod (x4)	4 ft (1.2 m) Support Rod (x7)
	40041016: 2 ft (.6 m) Support Rod (x1)	40041015: End Supports (x2)	40041015: End Supports (x2)
	40041015: End Supports (x2)	40041014: Corner Supports (x1)	40041014: Corner Supports (x3)
	40041014: Corner Supports (x2)	40041012: Central Supports (x2)	40041012: Central Supports (X3)
Textile Panel	x5	x8	x14

CLASP DIVIDER RODS

SUPPORT ROD HARDWARE (2FT)

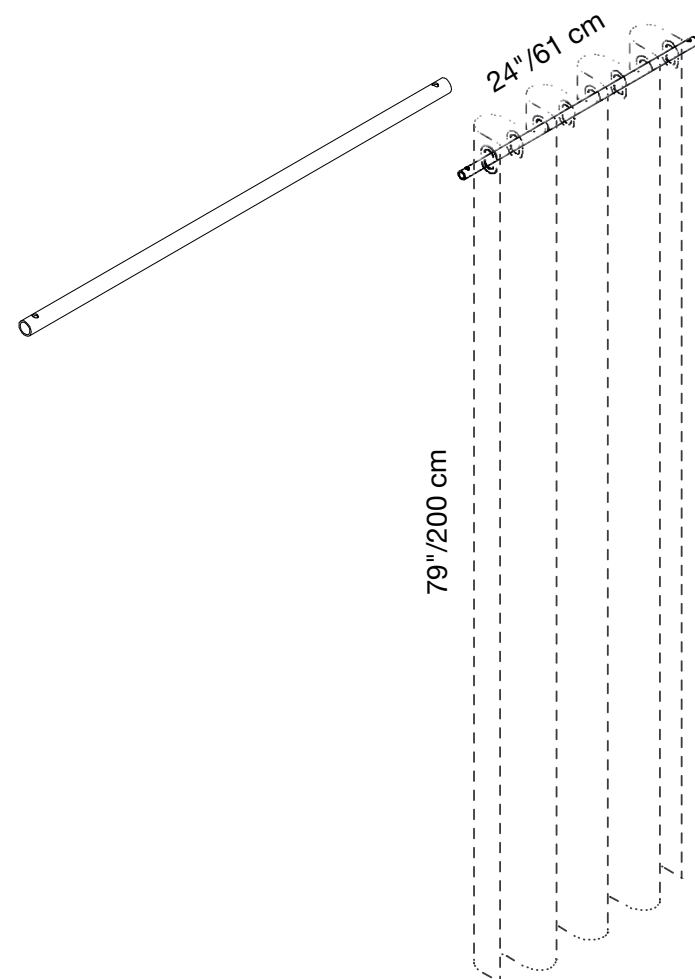
One support rod holds 1 (FIBER 3 MELANGE) Textile panel.

Textile Panel Req'd (1) 24"W x 79" H 7.3 cm x 24 cm

Part No 40041016

QTY 01

Finish Chrome



Textile panel not included. See page 286 for details.

SUPPORT ROD HARDWARE (4FT)

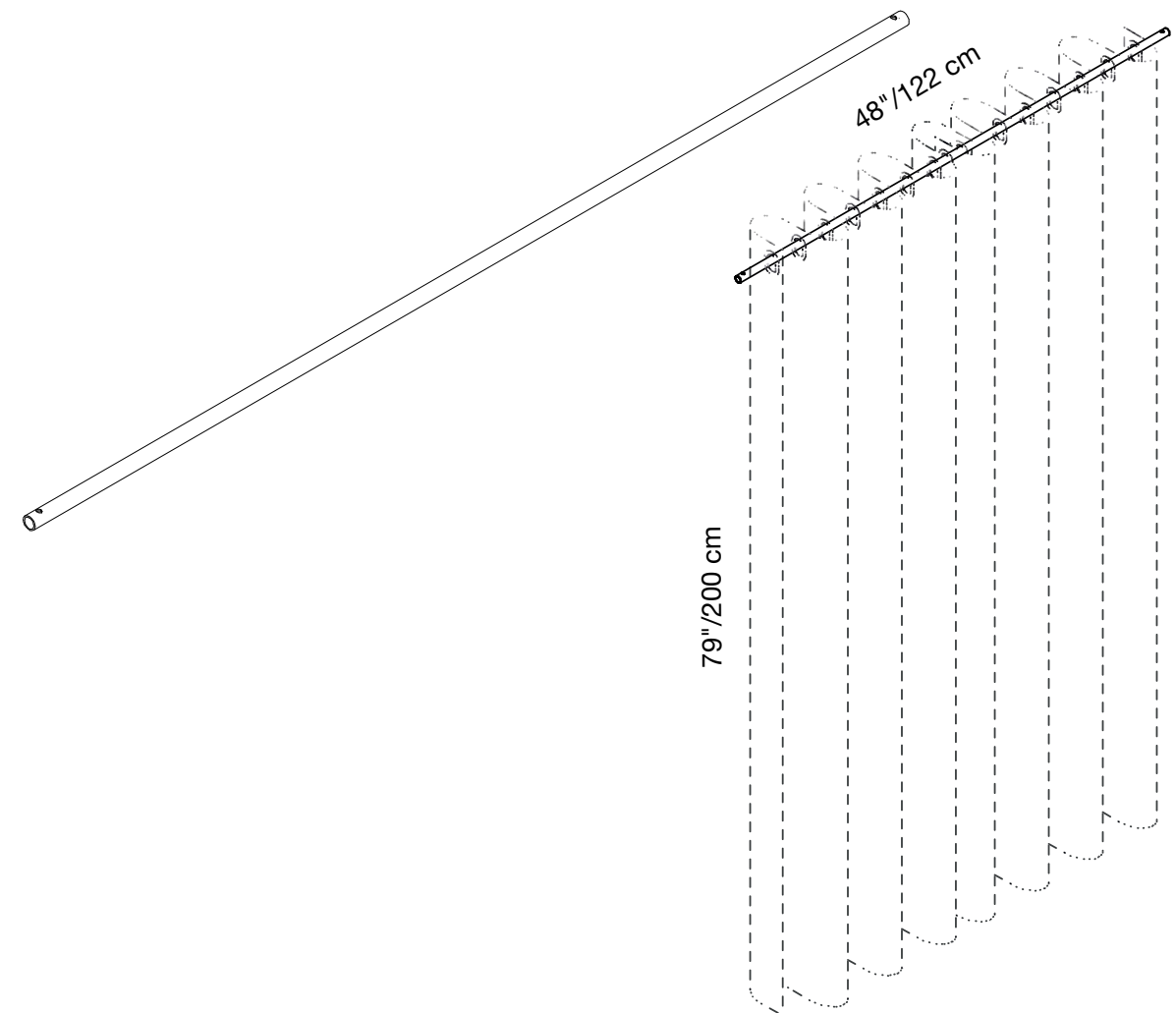
One support rod holds 1 (FIBER 3 MELANGE) Textile panel.

Textile Panel Req'd (1) 24"W x 79" H 7.3 cm x 24 cm

Part No 40041017

QTY 01

Finish Chrome

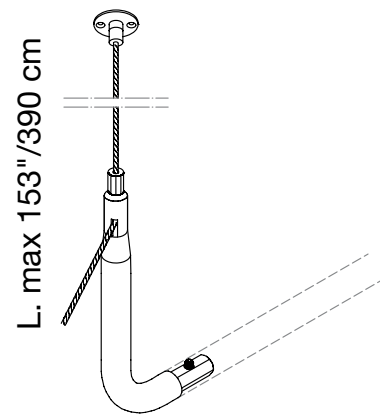


CLASP DIVIDER RODS

END SUPPORT ADAPTER

Connects to end of (1) support rod.

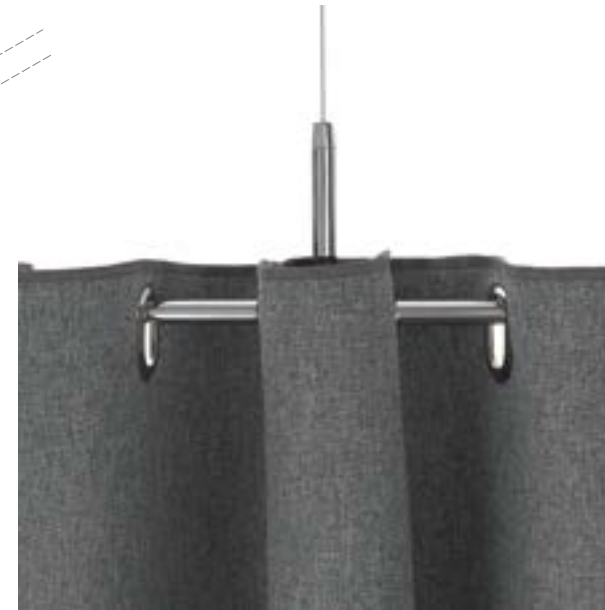
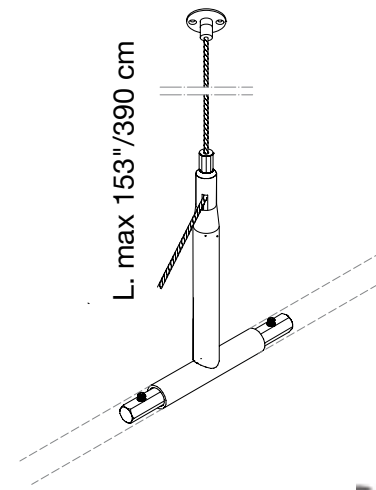
Part No	40041024
QTY	01
Finish	Chrome



CENTRAL SUPPORT ADAPTER

Connects with (2) support rods in straight line.

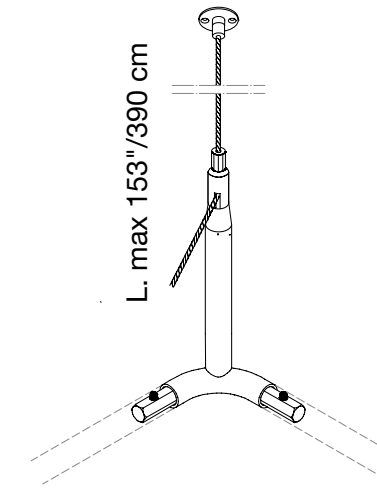
Part No	40041025
QTY	01
Finish	Chrome



CORNER SUPPORT ADAPTER

Connects with (2) support rods creating a corner.

Part No	40041026
QTY	01
Finish	Chrome



Hardware adapter includes aircraft cable and 2 - hole ceiling plate.
Allows you to always maintain 24"(61 cm) or 48" (122 cm) width.

CLASP RING



CLASP RING

CLASP RING features circular-shaped sound-absorbing elements crafted with Snowsound-Fiber 3 Melange and boucle fabric. The structure includes a chrome tubular steel frame and is suspended from height-adjustable cables. Available in different sizes, some versions also include housing for lighting fixtures. These structures are ideal for both small and large spaces.

Specs	Single material and 100% recyclable
	Eco friendly – Greenguard Gold
	Class A sound absorption with (ISO 354)
	Machine washable up to 140 degrees F°
	Class A fire and smoke safety (UL 723/ASTM E84)
	CAL 133, 117 pass
	Ceiling suspended
Design	Annalisa Dominoni & Benedetto Quaquari

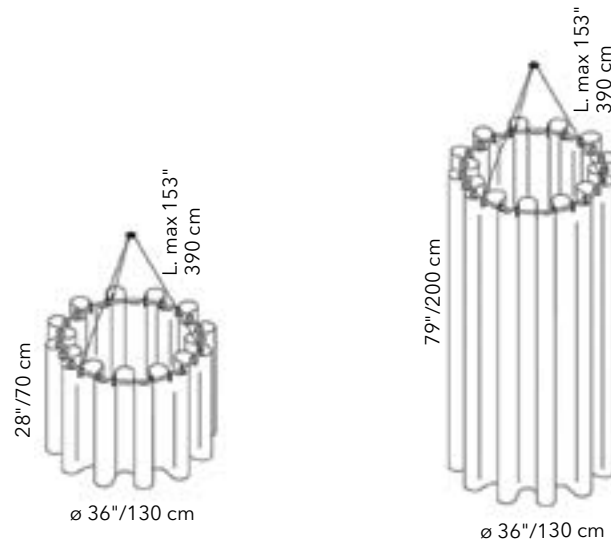


CLASP RING SINGLE POINT CEILING CONNECTION KIT

Fabric is removable and washable.

Call your representative for stock levels and availability.

Kit includes	01 Ceiling plates
	03 Steel cables
	03 Hangings to the frame
	01 Sound absorbing element



Fiber 3 Melange

Color	Part No	Part No
300 Gray Ice	40041061	40041076
305 Azure	40041060	40041077
309 Gray Green	40041063	40041079

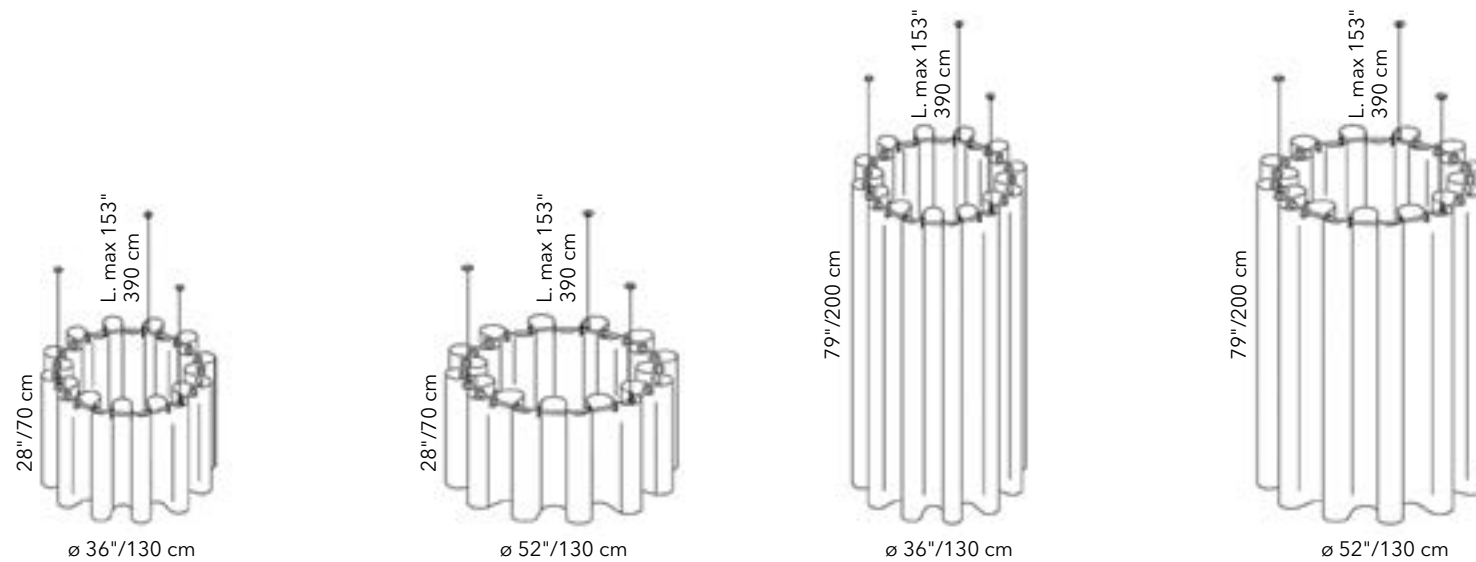
For larger swatches & full color options, Please refer to pages 300–303.




CLASP RING 3 POINT CEILING CONNECTION KIT FIBER 3 MELANGE

Fabric is removable and washable.

Call your representative for stock levels and availability.

Kit includes	03 Ceiling plates
	03 Steel cables
	03 Hangings to the frame
	01 Sound absorbing element



Color	Part No	Part No	Part No	Part No
 300 Gray Ice	40041065	40041070	40041081	40041085
 305 Azure	40041066	40041072	40041082	40041086
 309 Gray Green	40041068	40041074	40041084	40041088

For larger swatches & full color options, Please refer to pages 300–303.

DIESIS



DIESIS



DIESIS (FREESTANDING UNIT) features a structure and base made of black epoxy powder-coated steel. The drapery is crafted from Fiber 6 Velvet polyester, with stitching done using polyester thread. It is applied to the upper structure through steel removable fixings.

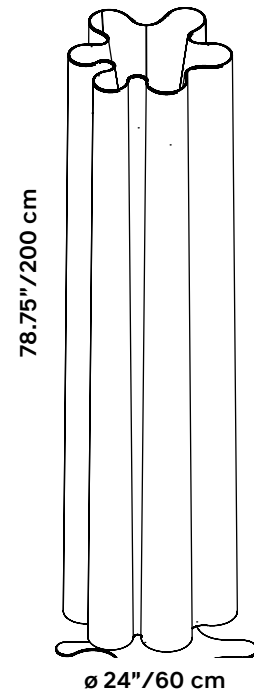
DIESIS (CEILING SUSPENDED UNIT) features an upper structure made of epoxy powder-coated steel, with a top rod equipped with a galvanized steel cable clamp and stainless steel wire for hanging. The ceiling attachment is equipped with a metal ball bearing that allows free rotation of the entire object. The drapery is crafted from Snowsound-Fiber 6 Velvet polyester, with stitching done using polyester thread. It is applied to the upper structure through steel removable fixings.





Specs	Single material and 100% recyclable
	Eco friendly – Greenguard Gold
	Class A sound absorption with (ISO 354)
	Machine washable up to 140 degrees F°
	Outer fabric removable
	Class A fire and smoke safety (UL 723/ASTM E84)
	CAL 133, 117 pass
	Freestanding
	Ceiling suspended
Design	Annalisa Dominoni & Benedetto Quaquari

DIESIS FREESTANDING UNIT COMPLETE KIT FIBER 6 VELVET

Call your representative for stock levels and availability.

Structure in black epoxy powder-coated steel. Drapery made of Fiber 6 Velvet polyester, stitching made of polyester thread. The drapery is applied to the upper structure through steel removable fixings. Fabric is removable.



Color	Part No
 605 Cream	40025124
 603 Teal	40025087
 610 Mustard Gold	40025567
 600 Red	40025125

** Extended lead time

Extended lead time colors require: up to 10–12 weeks

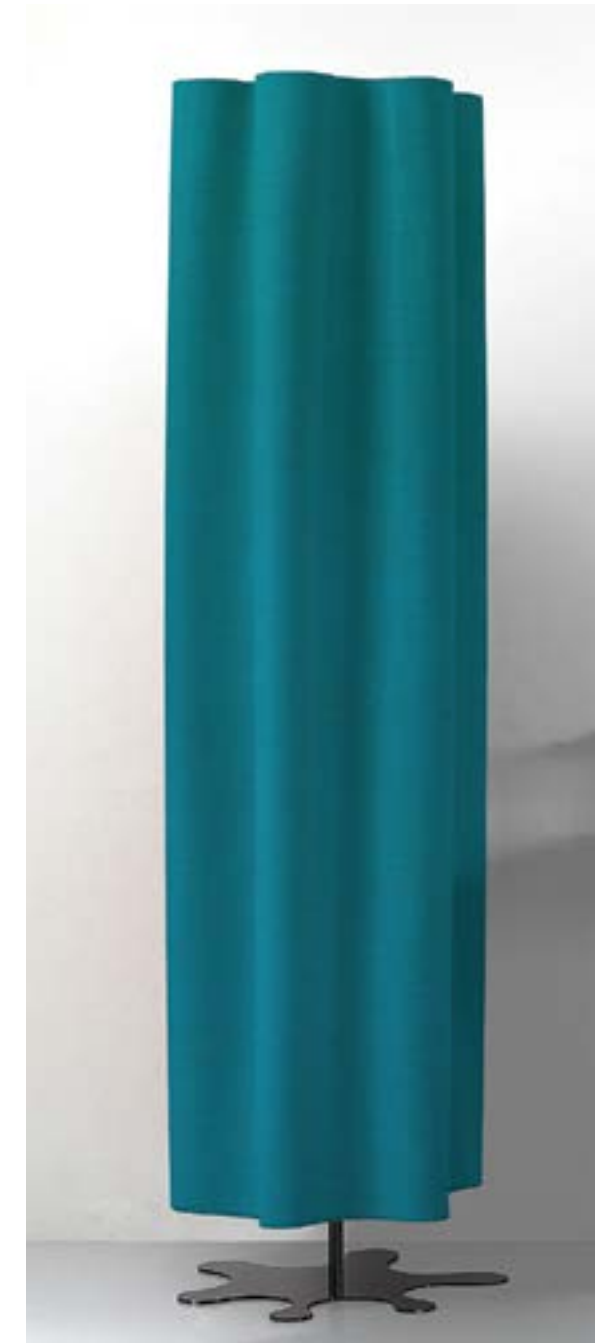
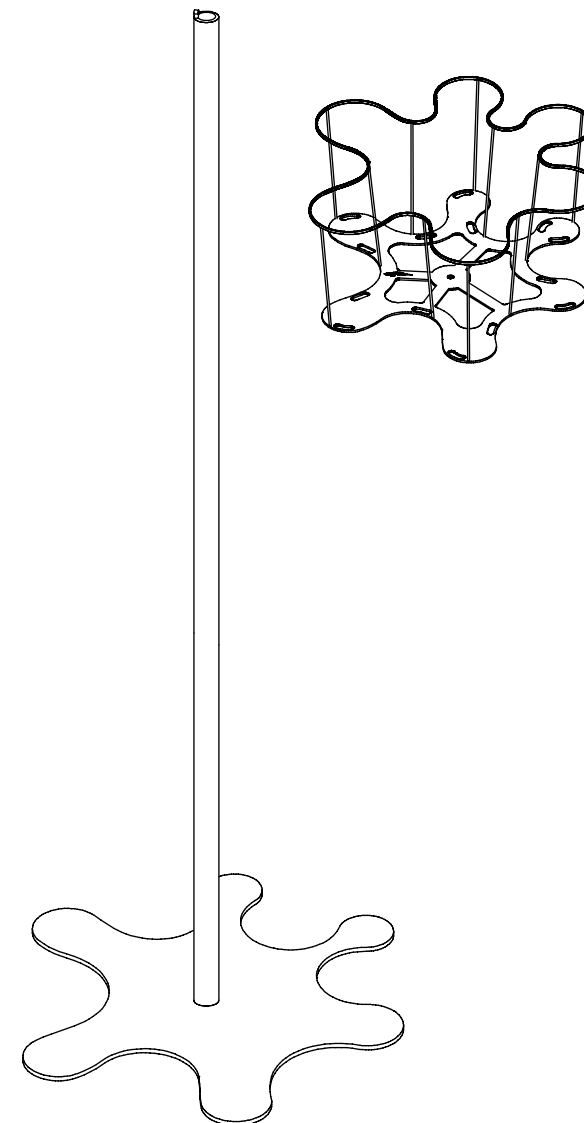
For larger swatches & full color options, Please refer to pages 300–303.

Kit includes

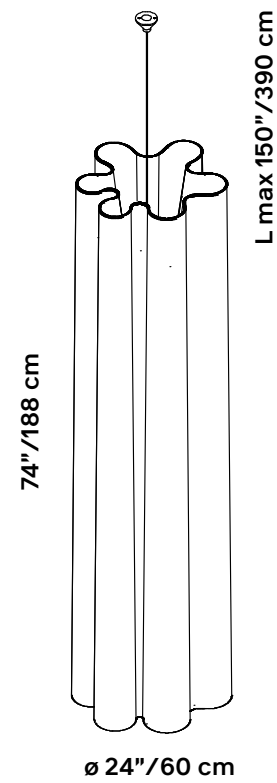
01 Fiber 6 Velvet fabric





01 Black totem base

01 Frame and pole



DIESIS CEILING SUSPENDED UNIT COMPLETE KIT FIBER 6 VELVET



Color	Part No
 605 Cream	40025245
 603 Teal	40025089
 610 Mustard Gold	40025566
 600 Red	40025127

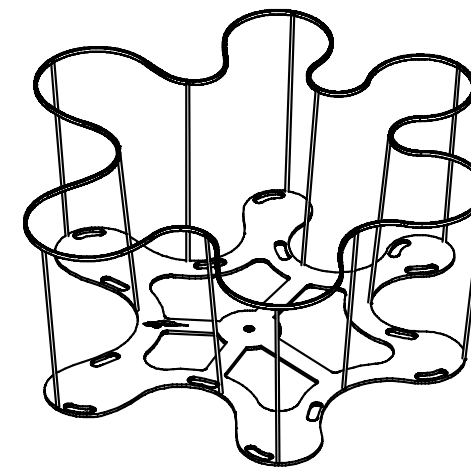
** Extended lead time

Extended lead time colors require: up to 10–12 weeks

For larger swatches & full color options, Please refer to pages 300–303.

Upper structure in epoxy powder-coated steel, top rod with galvanized steel cable clamp, stainless steel wire for hanging. Ceiling attachment equipped with metal ball bearing that allows free rotation of the entire object. Drapery made of Fiber 6 Velvet polyester, stitching made of polyester thread. The drapery is applied to the upper structure through steel removable fixings.

Kit includes	01 Fiber 6 Velvet fabric
	01 Ceiling fixing kit and frame



MILANO



MILANO

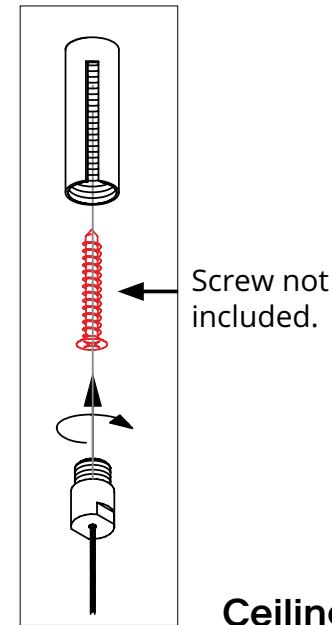
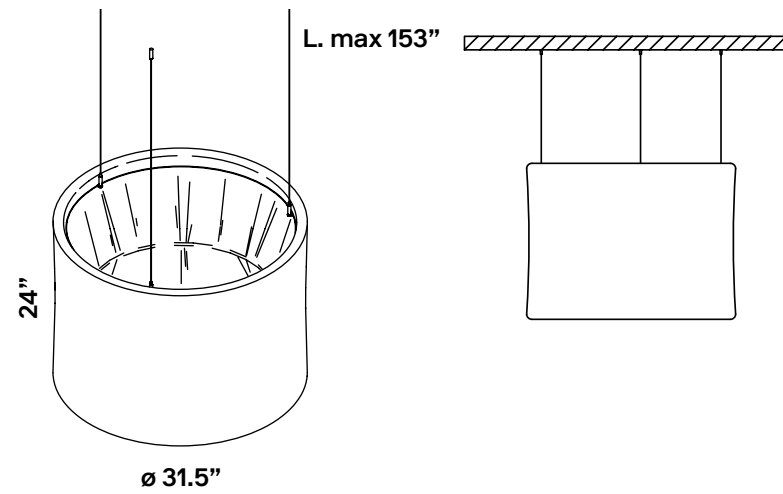


MILANO is a large sound-absorbing lampshade crafted with Snowsound Fiber 8 Bouclè fabric. It features a tubular structure that creates a slight waist on the external fabric and pleats on the inside. The air gap between the external and internal fabric enhances the lampshade's acoustic performance. Available in two sizes with diameters of 31.4" and 47.2", the lampshade is suspended from the ceiling using three height-adjustable cables.





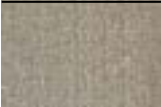



Specs	Single material and 100% recyclable
	Eco friendly – Greenguard Gold
	Class A sound absorption with (ISO 354)
	Easy to clean and sanitize. Meets CDC Guidelines.
	Class A fire and smoke safety (UL 723/ASTM E84)
	CAL 133, 117 pass
	Wall mounted
Design	Snowsound Lab




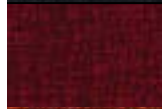
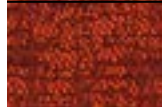
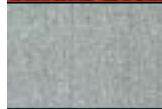


MILANO Ø 31.5" X 24" COMPLETE KIT

"Milano" is made-to-order. Call your representative for stock levels and availability



Ceiling Detail

Color	Part No
 801 Gray Ice	7MIL80-801
 803 Graphite	7MIL80-803
 810 Frost	7MIL80-810
 812 Sahara	7MIL80-812
 813 Yosemite	7MIL80-813
 800 Dove Coffee	7MIL80-800**
 802 Gray Beige	7MIL80-802**
 804 Clover	7MIL80-804**

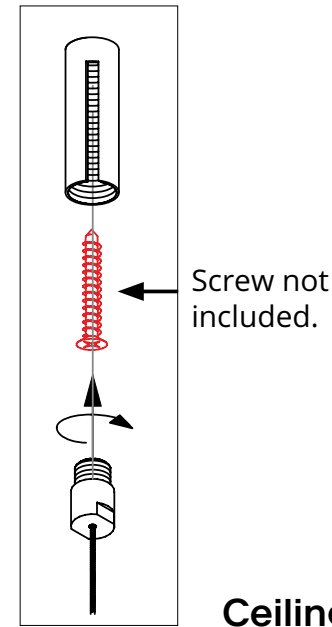
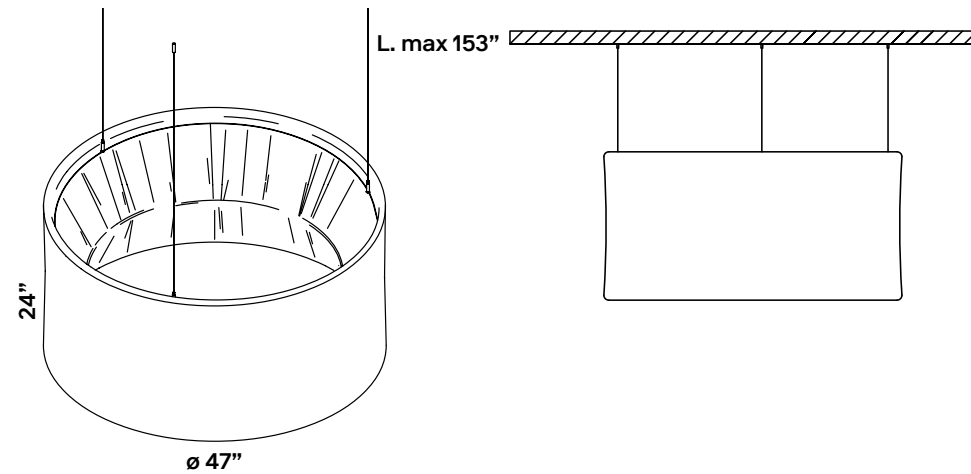
Color	Part No
 805 Oxford	7MIL80-805**
 803 Syreni Blue	7MIL80-806**
 807 Obsidian	7MIL80-807**
 808 Garnet	7MIL80-808**
 809 Sandstone	7MIL80-809**
 811 Rhino	7MIL80-811**
 814 Arctic	7MIL80-814**
 815 Mint	7MIL80-815**

Ext. lead time
color MOQ: 5

** Extended lead time
Extended lead time colors require: up to 10-12 weeks





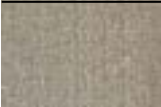



For larger swatches & full color options, Please refer to pages 300-303.




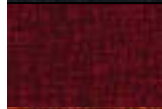

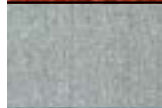


MILANO Ø 47" X 24" COMPLETE KIT



Ceiling Detail

“Milano” is made-to-order. Call your representative for stock levels and availability

Color	Part No
 801 Gray Ice	7MIL120-801
 803 Graphite	7MIL120-803
 810 Frost	7MIL120-810
 812 Sahara	7MIL120-812
 813 Yosemite	7MIL120-813
 800 Dove Coffee	7MIL120-800**
 802 Gray Beige	7MIL120-802**
 804 Clover	7MIL120-804**

Color	Part No
 805 Oxford	7MIL120-805**
 803 Syreni Blue	7MIL120-806**
 807 Obsidian	7MIL120-807**
 808 Garnet	7MIL120-808**
 809 Sandstone	7MIL120-809**
 811 Rhino	7MIL120-811**
 814 Arctic	7MIL120-814**
 815 Mint	7MIL120-815**

Ext. lead time color
MOQ: 5

** Extended lead time
Extended lead time colors require: up to 10-12 weeks

For larger swatches & full color options, Please refer to pages 300-303.

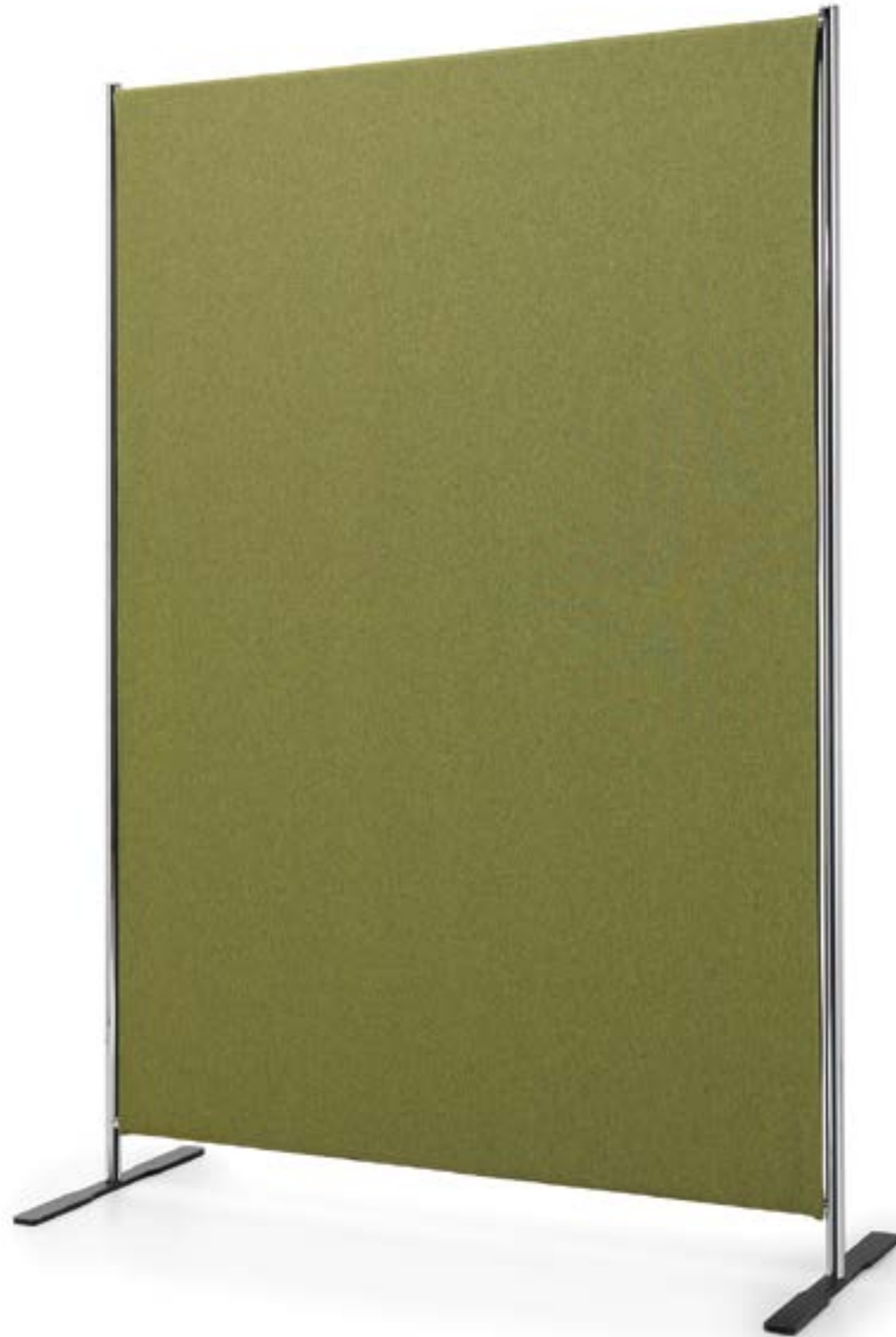
SEPÁ



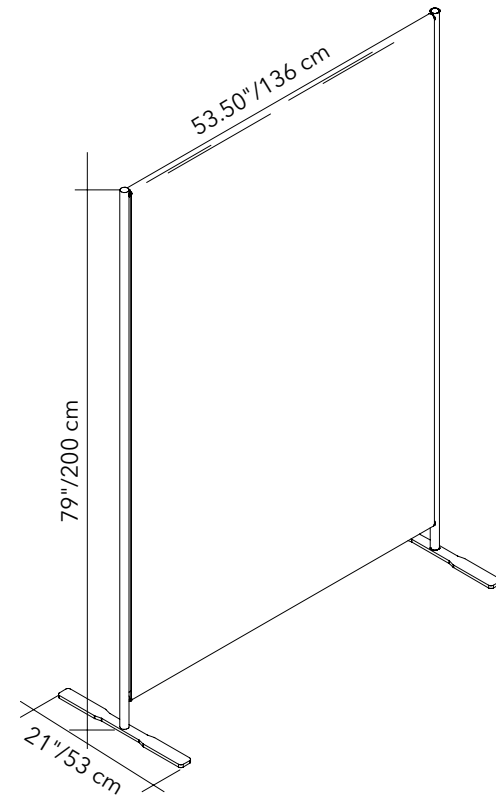
SEPA




SEPA' sound-absorbing dividers are crafted with Snowsound Fiber textiles and feature chromed tubular steel structures mounted on flat painted metal bases. The dividers are designed with chrome tubular steel structures mounted on bases that allow for the juxtaposition of several dividers in a line or the creation of a corner configuration. The fabric slipcover is removable.

Specs	Single material and 100% recyclable
	Eco friendly – Greenguard Gold
	Class A sound absorption with (ISO 354)
	Machine washable up to 140 degrees F°
	Class A fire and smoke safety (UL 723/ASTM E84)
	CAL 133, 117 pass
	Freestanding
Design	Sezgin Asku



SEPÁ FREESTANDING DIVIDER STAND COMPLETE KIT



	Color	Part No
	300 Gray Ice	40042018
	305 Azure	40042019
	309 Gray Green	40042021

Extended lead time colors require: up to 10–12 weeks
For larger swatches & full color options, Please refer to pages 300–303.

Partition with chrome-plated steel frame and powder coated steel bases.
Snowsound Fiber 3 Melange sound absorbing, removable and washable fabric.
Call your representative for stock levels and availability.

Kit includes	01 Fiber 3 Melange textile panel
	01 Frame and base



SEPÁ ROLLS



SEPA' ROLLS



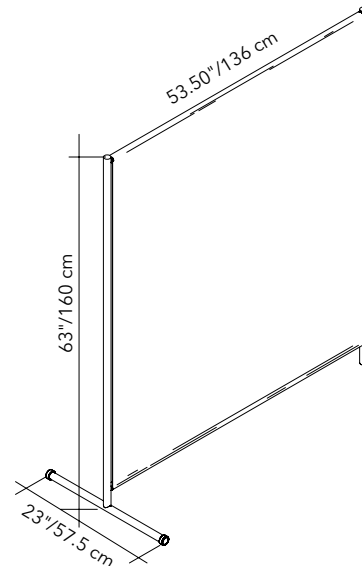
SEPA' ROLLS are sound-absorbing dividers crafted with Snowsound Fiber textiles, featuring chrome tubular steel structures mounted on a single tubular base. This design allows for the juxtaposition of several dividers in a line or the creation of a corner configuration. The tubular base is equipped with wheels located at the ends, facilitating easy movement. Additionally, the fabric slipcover is removable.




Specs	Single material and 100% recyclable
	Eco friendly – Greenguard Gold
	Class A sound absorption with (ISO 354)
	Machine washable up to 140 degrees F.
	Fiber 1 Color antimicrobial textile
	Class A fire and smoke safety (UL 723/ASTM E84)
	CAL 133, 117 pass
	Freestanding
Design	Sezgin Asku

SEPÁ FREESTANDING DIVIDER STAND/CASTERS COMPLETE KIT FIBER 3 MELANGE TEXTILE

Partition with chrome-plated steel frame and powder coated steel bases with casters. Snowsound Fiber 3 Melange sound absorbing, removable and washable fabric. Call your representative for stock levels and availability.

Kit includes	01 Fiber 3 Melange textile panel
	01 Frame and base/casters



	Color	Part No
	300 Gray Ice	40042023
	305 Azure	40042024
	306 Gray Green	40042026

Extended lead time colors require: up to 10–12 weeks
For larger swatches & full color options, Please refer to pages 300–303.



SI SBOCCIA



SI SBOCCIA

SI SBOCCIA WALL is a sound-absorbing acoustic decorative object crafted from Snowsound-Fiber 6 Velvet polyester fabric, with a central core made of wood conglomerate. It is designed for wall mounting (screws not included).

SI SBOCCIA CEILING is a sound-absorbing acoustic decorative object crafted from Snowsound-Fiber 6 Velvet polyester fabric, with a central core made of wood conglomerate. It includes a steel cable and ceiling attachment equipped with a metal ball bearing that allows free rotation of the entire object.

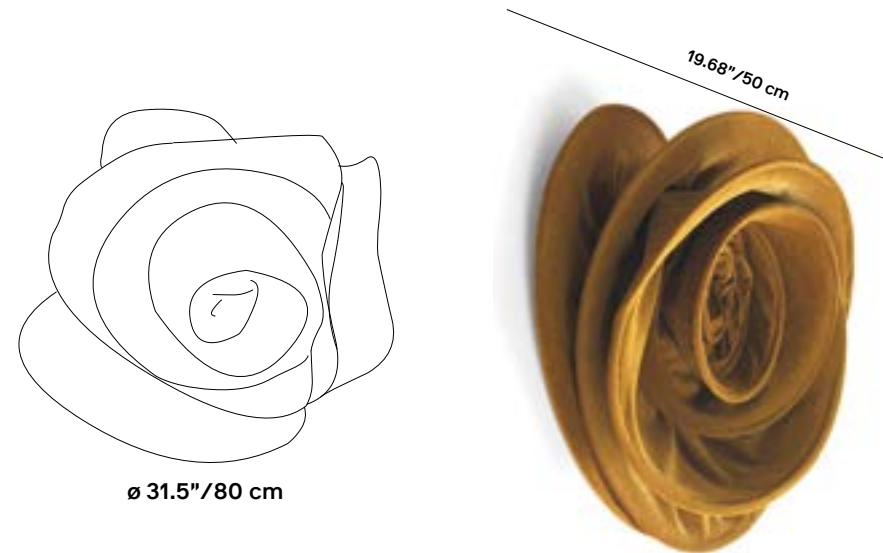


Specs	Single material and 100% recyclable
	Eco friendly – Greenguard Gold
	Class A sound absorption with (ISO 354)
	Class A fire and smoke safety (UL 723/ASTM E84)
	CAL 133, 117 pass
	Wall mounted
	Ceiling suspended
Design	Moreno Ferrari



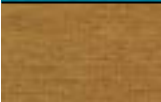


SI SBOCCIA WALL MOUNTED COMPLETE KIT FIBER 6 VELVET

Handmade in Italy. Call your representative for stock levels and availability.

Kit includes	01 Fabric 6 Velvet textile fabric
	Central core in wood conglomerate
	Wall mounting (screws not included)



Wall mounted

	Color	Part No
	605 Cream	40045024**
	603 Teal	40045023**
	610 Mustard Gold	40045026**
	600 Red	40045022**
	606 Powder Pink	40045025**

** Extended lead time

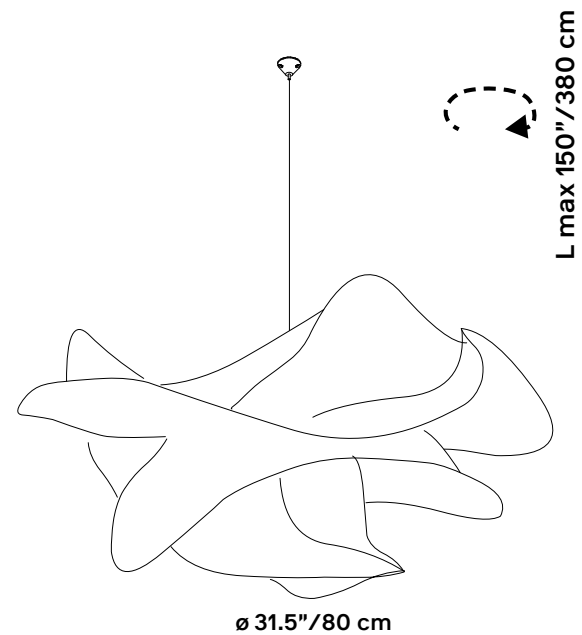
Extended lead time colors require: up to 10–12 weeks

For larger swatches & full color options, Please refer to pages 300–303.






SI SBOCCIA CEILING SUSPENDED COMPLETE KIT FIBER 6 VELVET

Handmade in Italy. Call your representative for stock levels and availability.

Kit includes	01 Fabric 6 Velvet textile fabric
	Central core in wood conglomerate
	Steel cable/ceiling attachment with ball bearing



Ceiling suspended

	Color	Part No
	605 Cream	40045029**
	603 Teal	40045028**
	610 Mustard Gold	40045031**
	600 Red	40045027**
	606 Powder Pink	40045030**

** Extended lead time

Extended lead time colors require: up to 10–12 weeks

For larger swatches & full color options, Please refer to pages 300–303.

PINNA






PINNA

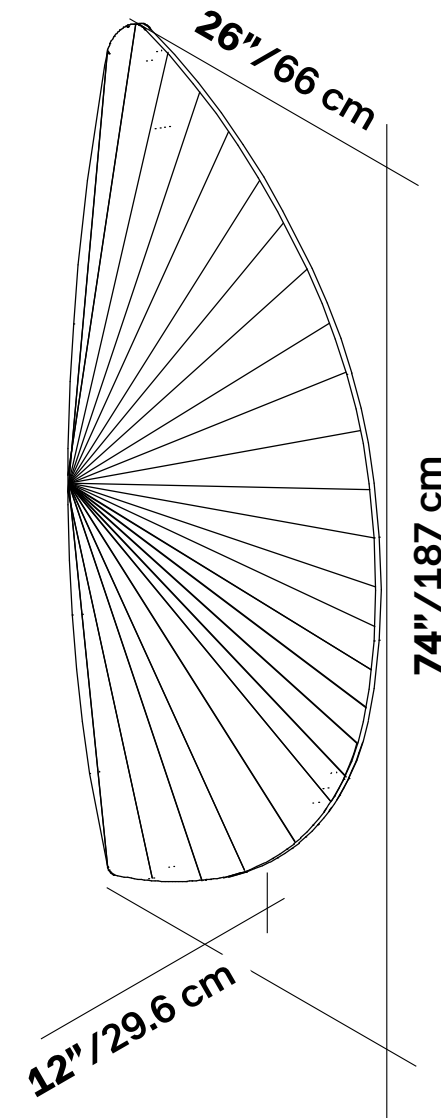
PINNA features a powder-coated tubular frame with an internal core made of sound-absorbing polyester, covered in Snowsound Fiber Textiles 3 Melange pleated sound-absorbing polyester fabric. The fabric is removable and washable.



Specs	Single material and 100% recyclable
	Eco friendly – Greenguard Gold
	Class A sound absorption with (ISO 354)
	Machine washable up to 140 degrees F.
	Class A fire and smoke safety (UL 723/ASTM E84)
	CAL 133, 117 pass
	Wall mounted
	Ceiling mounted
Design	Annalisa Dominoni & Benedetto Quaquaro

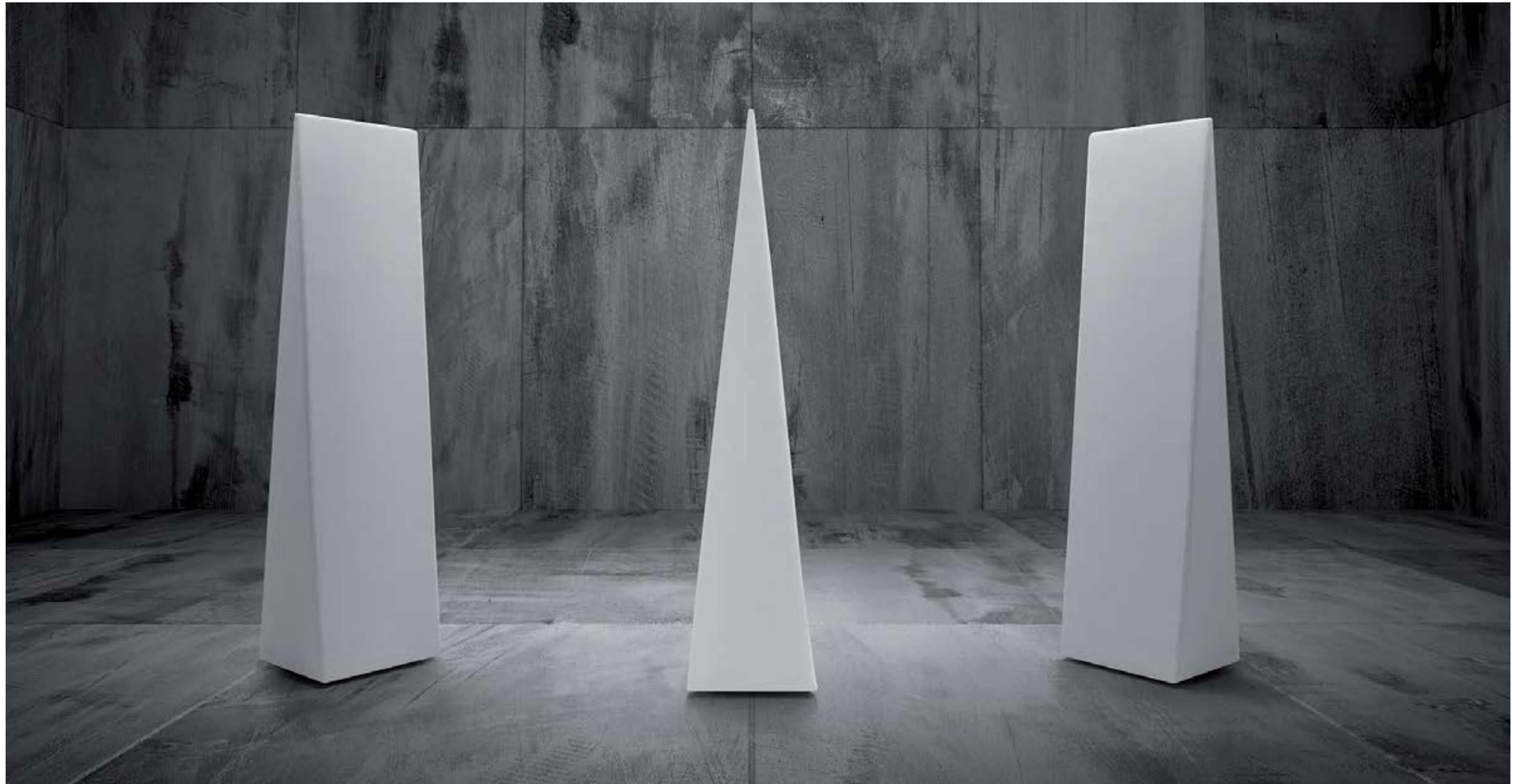
WALL/CEILING MOUNTED COMPLETE SET

	Color	Part No
	300 Gray Ice	40043001
	305 Azure	40043002
	310 Gray Gold	40043003



Pinna panels are "made-to-order." Lead time 12 weeks (month of August excluded)
For larger swatches & full color options, Please refer to pages 300–303.

OBELISCO



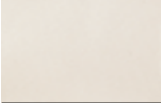
OBELISCO

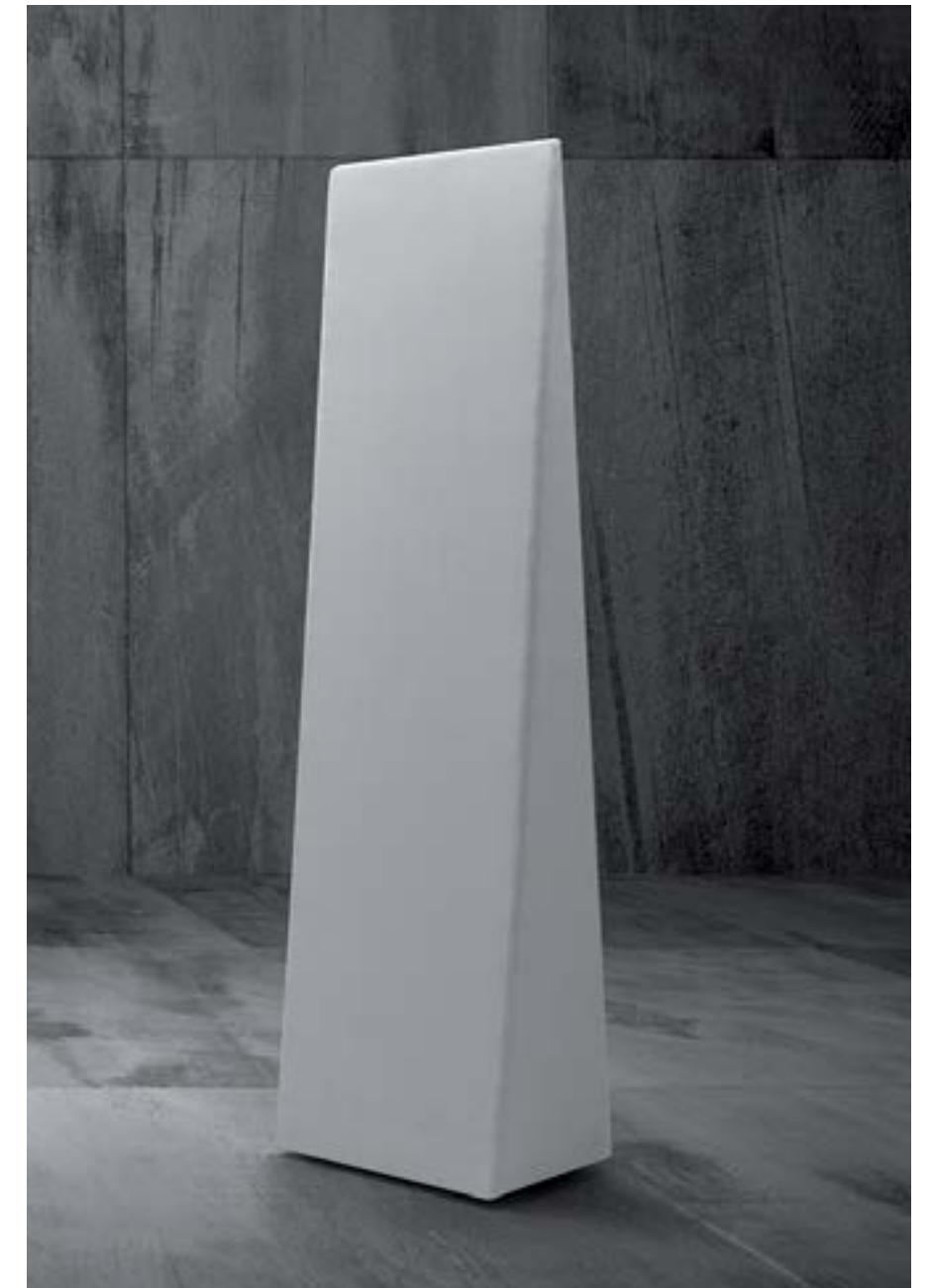
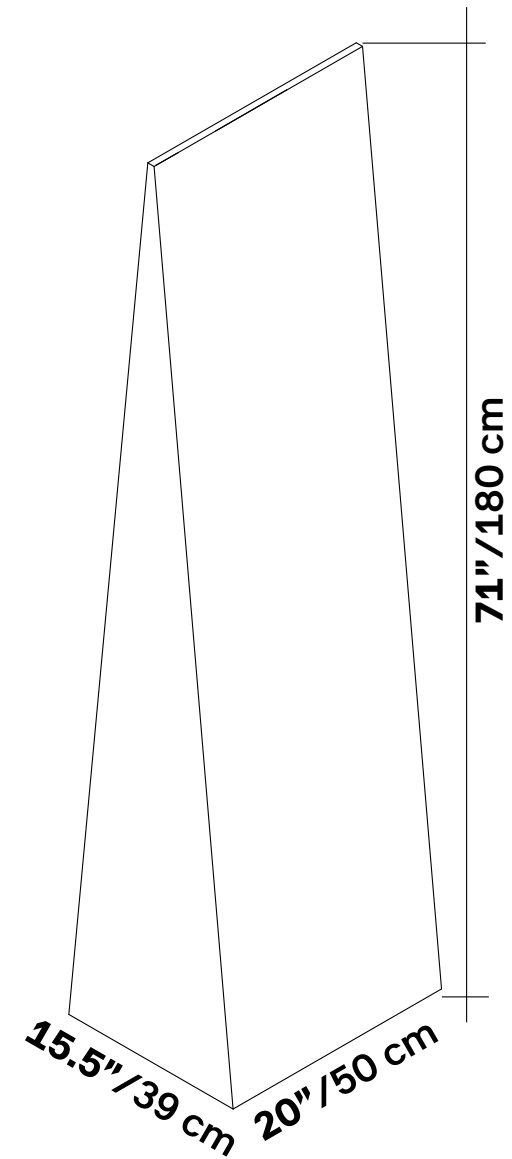
OBELISCO is a freestanding sound-absorbing element covered in Snowsound Fiber 1 Color textile, featuring a completely removable and washable design with an internal structure made of polyester and steel. Inspired by an element designed by Gio Ponti for a 1965 installation, OBELISCO pays homage to Ponti's recurring exploration of obelisks, which he often integrated into his architecture and works.



Specs	Single material and 100% recyclable
	Eco friendly – Greenguard Gold
	Class A sound absorption with (ISO 354)
	Machine washable up to 140 degrees F.
	Class A fire and smoke safety (UL 723/ASTM E84)
	CAL 133, 117 pass
	Freestanding
Design	Gio Ponti

OBELISCO COMPLETE SET

	Color	Part No
	White	7OP185-0001**



**Extended lead time require: up to 10-12 weeks
For larger swatches & full color options, Please refer to pages 300-303.

SNOWCURTAINS



SNOWCURTAINS



Click & jump to
the selected page

Fiber 1	343
Fiber 2	345
Fiber 3	347
Fiber 6	349
Fiber 7	351
Fiber 8	353
Technical Information	355

SNOWSOUND FIBER: FIBER 1 COLOR



White 0001



Silver Gray 8004



Beige 1008



Dove Gray 2005



Sun Yellow 3008



Carrot Orange 4030



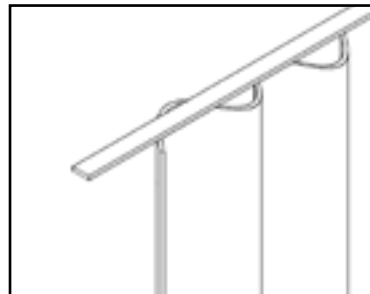
Red 4027



Olive Green 7004

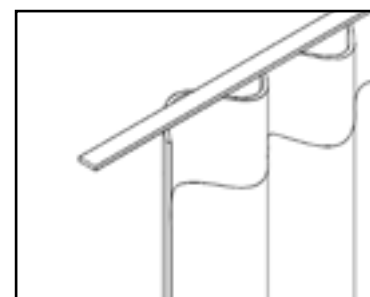
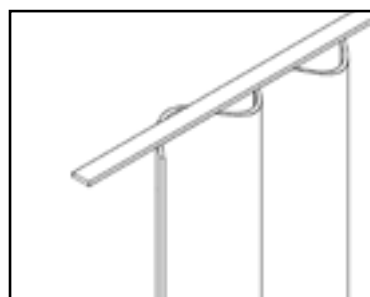
FIBER 1 FINISHED CURTAIN PRICES

RIPPLE FOLD



Curtain Dimensions	27" W – 55" W	56" W – 83" W	84" W – 110" W	111" W – 138" W	139" W – 165" W	166" W – 193" W	194" W – 220" W
47" H – 63" H							
64" H – 78" H							
79" H – 94" H							
95" H – 110" H							
111" H – 126" H							
127" H – 141" H							
142" H – 157" H							

RIPPLE FOLD DOUBLE FACE



Curtain Dimensions	27" W – 55" W	56" W – 83" W	84" W – 110" W	111" W – 138" W	139" W – 165" W	166" W – 193" W	194" W – 220" W
47" H – 63" H							
64" H – 78" H							
79" H – 94" H							
95" H – 110" H							
111" H – 126" H							
127" H – 141" H							
142" H – 157" H							

List price of finished curtain – inclusive of all fiber material, fabrication, and the track (s&h / freight not included)

SNOWSOUND FIBER: FIBER 2



Natural White

200



Ice Gray

202



Cream

201

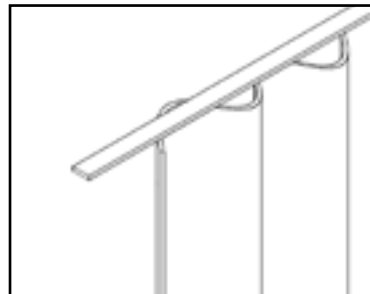


Medium Gray

203

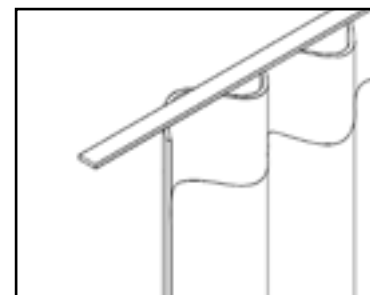
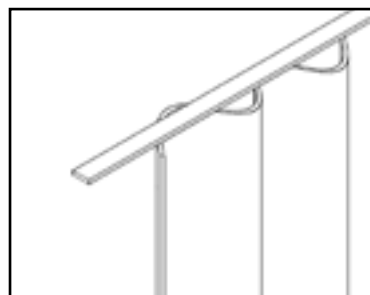
FIBER 2 FINISHED CURTAIN PRICES

RIPPLE FOLD



Curtain Dimensions	27" W – 55" W	56" W – 83" W	84" W – 110" W	111" W – 138" W	139" W – 165" W	166" W – 193" W	194" W – 220" W
47" H – 86" H							
87" H – 110" H							
111" H – 126" H							
127" H – 141" H							
142" H – 157" H							

RIPPLE FOLD DOUBLE FACE



Curtain Dimensions	27" W – 55" W	56" W – 83" W	84" W – 110" W	111" W – 138" W	139" W – 165" W	166" W – 193" W	194" W – 220" W
47" H – 86" H							
87" H – 110" H							
111" H – 126" H							
127" H – 141" H							
142" H – 157" H							

List price of finished curtain – inclusive of all fiber material, fabrication, and the track (s&h / freight not included)

TEXTILE SWATCHES: FIBER 3 MELANGE



Gray Ice 300



Anthracite 302



Gray Taupe 303



Gray Beige 304



Azure 305



Gray Burgundy 306



Gray Plum 307



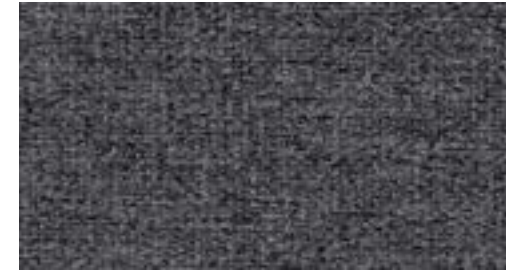
Gray Blue 308



Gray Green 309



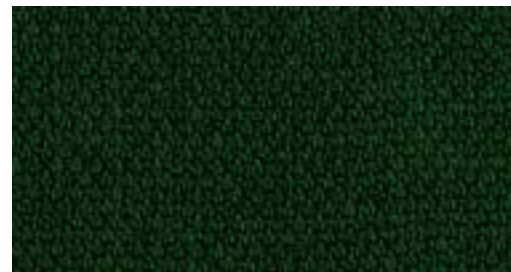
Gray Gold 310



Carbon Gray 311



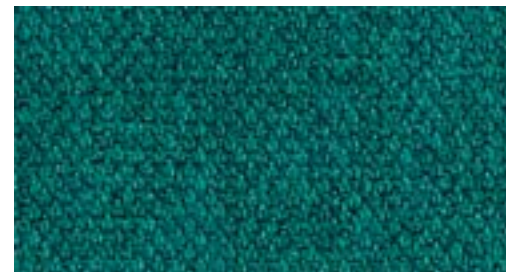
Patina 312



Evergreen 313



Admiral Blue 314



Fiji 315

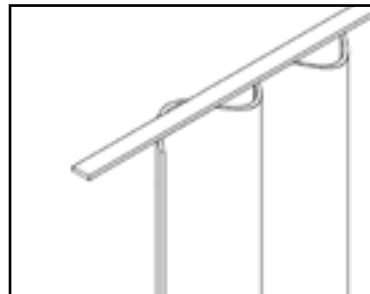


Ivory** 316

** New swatches

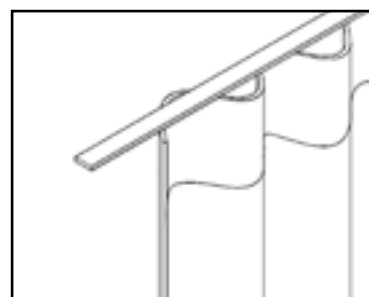
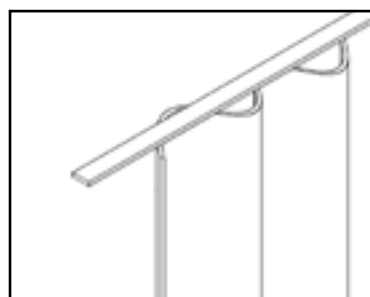
FIBER 3 FINISHED CURTAIN PRICES

RIPPLE FOLD



Curtain Dimensions	27" W – 55" W	56" W – 83" W	84" W – 110" W	111" W – 138" W	139" W – 165" W	166" W – 193" W	194" W – 220" W
47" H – 63" H							
64" H – 78" H							
79" H – 94" H							
95" H – 110" H							
111" H – 126" H							
127" H – 141" H							
142" H – 157" H							

RIPPLE FOLD DOUBLE FACE



Curtain Dimensions	27" W – 55" W	56" W – 83" W	84" W – 110" W	111" W – 138" W	139" W – 165" W	166" W – 193" W	194" W – 220" W
47" H – 63" H							
64" H – 78" H							
79" H – 94" H							
95" H – 110" H							
111" H – 126" H							
127" H – 141" H							
142" H – 157" H							

List price of finished curtain – inclusive of all fiber material, fabrication, and the track (s&h / freight not included)

TEXTILE SWATCHES: FIBER 6 VELVET



Red 600



Coffee Brown 601



Black 602



Teal 603



Beige 604



Cream 605



Powder Pink 606



Medium Gray 607



Forest Green 608



Powder Blue 609



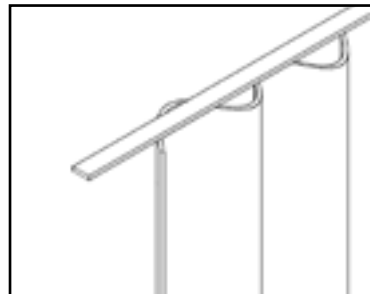
Mustard Gold 610



Navy Blue 611

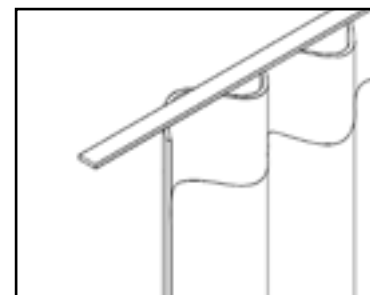
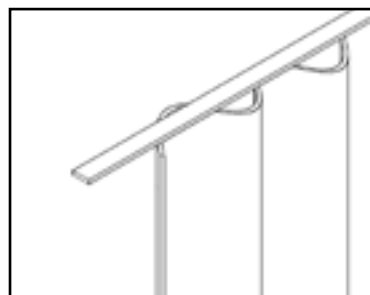
FIBER 6 FINISHED CURTAIN PRICES

RIPPLE FOLD



Curtain Dimensions	27" W – 55" W	56" W – 83" W	84" W – 110" W	111" W – 138" W	139" W – 165" W	166" W – 193" W	194" W – 220" W
47" H – 86" H							
87" H – 110" H							
111" H – 126" H							
127" H – 141" H							
142" H – 157" H							

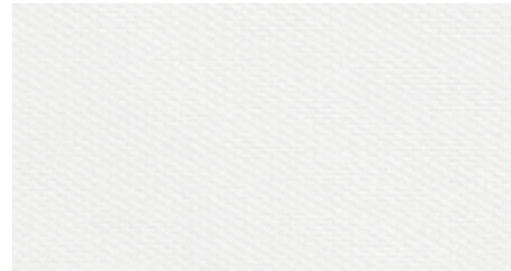
RIPPLE FOLD DOUBLE FACE



Curtain Dimensions	27" W – 55" W	56" W – 83" W	84" W – 110" W	111" W – 138" W	139" W – 165" W	166" W – 193" W	194" W – 220" W
47" H – 86" H							
87" H – 110" H							
111" H – 126" H							
127" H – 141" H							
142" H – 157" H							

List price of finished curtain – inclusive of all fiber material, fabrication, and the track (s&h / freight not included)

TEXTILE SWATCHES: FIBER 7 VELO



Ghost 700



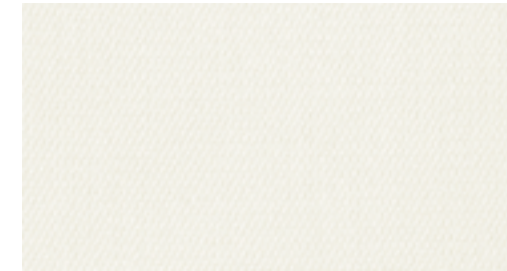
Taupe 701



Tan 702



Steel 703



Pearl 704



Walnut 705



Sage 706



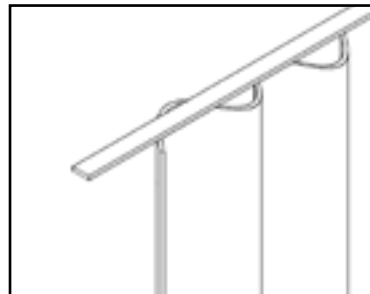
Lagoon 707



Blush 708

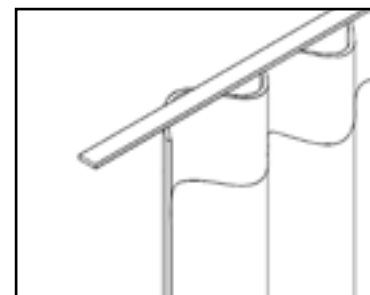
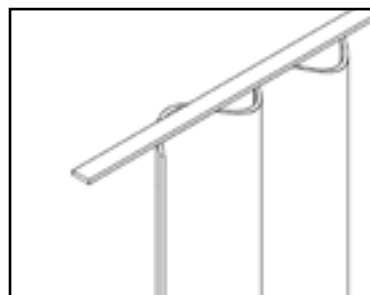
FIBER 7 FINISHED CURTAIN PRICES

RIPPLE FOLD



Curtain Dimensions	27" W – 55" W	56" W – 83" W	84" W – 110" W	111" W – 138" W	139" W – 165" W	166" W – 193" W	194" W – 220" W
47" H – 86" H							
87" H – 110" H							
111" H – 126" H							
127" H – 141" H							
142" H – 157" H							

RIPPLE FOLD DOUBLE FACE



Curtain Dimensions	27" W – 55" W	56" W – 83" W	84" W – 110" W	111" W – 138" W	139" W – 165" W	166" W – 193" W	194" W – 220" W
47" H – 86" H							
87" H – 110" H							
111" H – 126" H							
127" H – 141" H							
142" H – 157" H							

List price of finished curtain – inclusive of all fiber material, fabrication, and the track (s&h / freight not included)

TEXTILE SWATCHES: FIBER 8 BOUCLÈ



Dove Coffee

800



Gray Ice

801



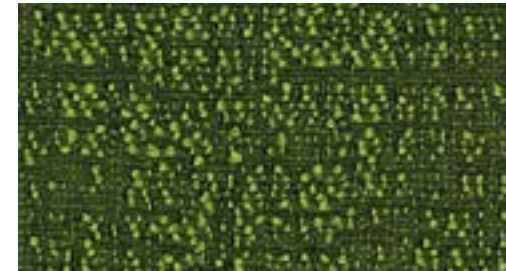
Gray Beige

802



Graphite

803



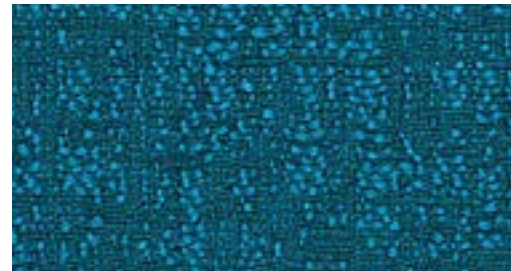
Clover

804



Oxford

805



Syreni Blue

806



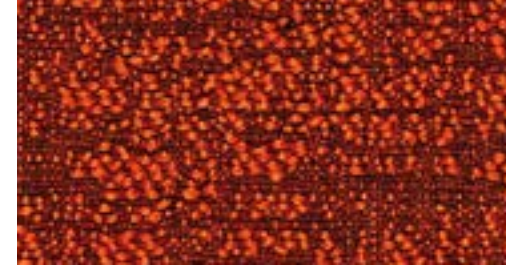
Obsedian

807



Garnet

808



Sandstone

809



Frost**

810



Rhino**

811



Sahara**

812



Yosemite**

813



Arctic**

814



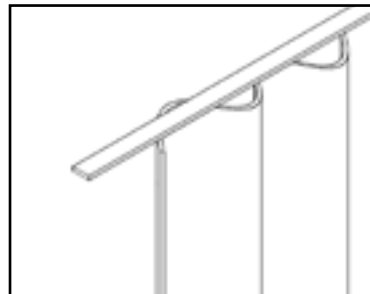
Mint**

815

** New swatches

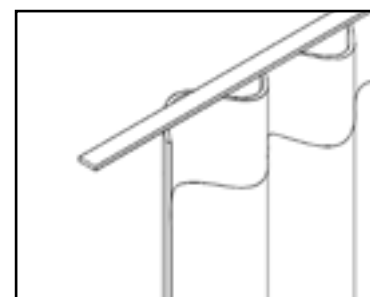
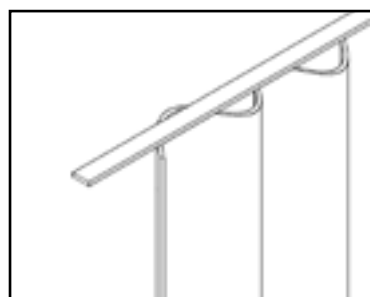
FIBER 8 FINISHED CURTAIN PRICES

RIPPLE FOLD



Curtain Dimensions	27" W – 55" W	56" W – 83" W	84" W – 110" W	111" W – 138" W	139" W – 165" W	166" W – 193" W	194" W – 220" W
47" H – 63" H							
64" H – 78" H							
79" H – 94" H							
95" H – 110" H							
111" H – 126" H							
127" H – 141" H							
142" H – 157" H							

RIPPLE FOLD DOUBLE FACE



Curtain Dimensions	27" W – 55" W	56" W – 83" W	84" W – 110" W	111" W – 138" W	139" W – 165" W	166" W – 193" W	194" W – 220" W
47" H – 63" H							
64" H – 78" H							
79" H – 94" H							
95" H – 110" H							
111" H – 126" H							
127" H – 141" H							
142" H – 157" H							

List price of finished curtain – inclusive of all fiber material, fabrication, and the track (s&h / freight not included)

TECHNICAL INFORMATION

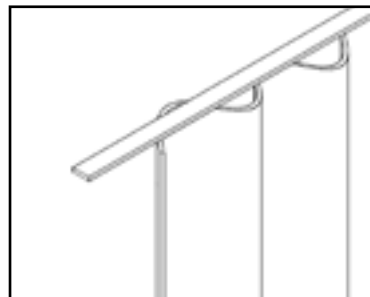
Curtains made from Snowsound Fiber sound-absorbing fabrics, custom-made according to specific customer requirements.

- The curtain is always fixed to a ceiling rail.
- The curtain opens and closes by manual traction.
- Due to the handcrafted manufacture of Snowcurtains, the minimum tolerance of the curtains is approximately .40" in both width and height.
- White ceiling track included in the price and always supplied in the width of the curtain.
- Standard dimensions available Width 27" to 220" / Height 47" to 157". For dimensions and finishings not included in this price list, please contact our sales department.

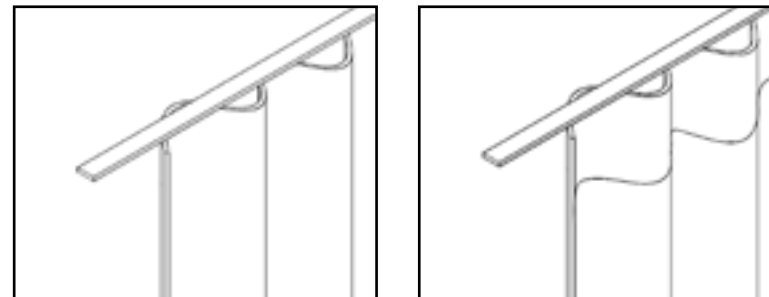
SALES CONDITIONS

- Due to the handcrafted manufacture of Snowcurtains, an advance payment of 50% of the value is required at the time of order.

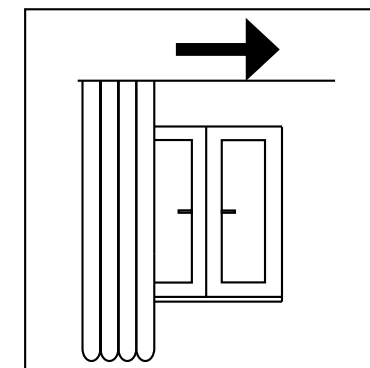
RIPPLE FOLD



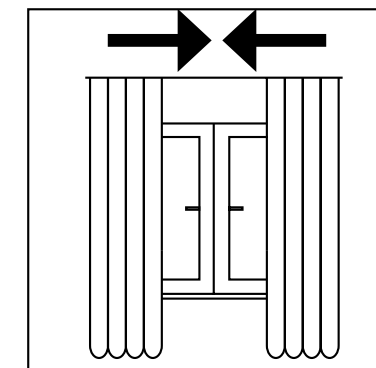
RIPPLE FOLD DOUBLE FACE



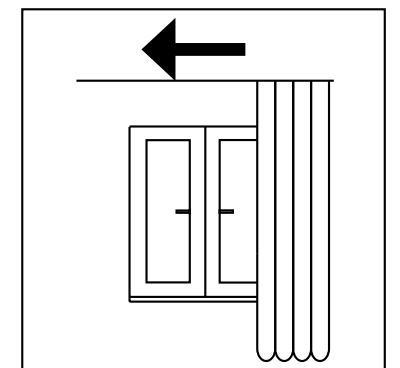
Fabricated with fabric strip covering the back ripple fold tape. Recommended for applications in the center of the room or in front of glass walls where backside of curtain is visible.



Opening from the left



Opening from the center



Opening from the right

FIBER TEXTILES & WALLCOVERINGS



FIBER TEXTILES AND WALL COVERINGS



Click & jump to
the selected page

Fiber 1	358
Fiber 2 Line	361
Fiber 2R Line–R	364
Fiber 3 Melange	367
Fiber 6 Velvet	370
Fiber 7 Velo Sheer	373
Fiber 8 Bouclè	376
Fiber 12 Econyl	379
Snowall	382
Snowall Max	386
Fiber Textiles Sample Displays	389

FIBER 1 COLOR



FIBER 1 COLOR

The ONE Fabric for Healthcare that’s good for you. The industry’s only sound-absorbing textile on the market with patented technology that is permanently fire resistant and antimicrobial. The silver ion in the polymer inhibits the growth of bacteria spreading in and on the fiber, keeps textiles fresher for longer, and provides the industry’s best acoustic performance.

PHYSICAL PROPERTIES

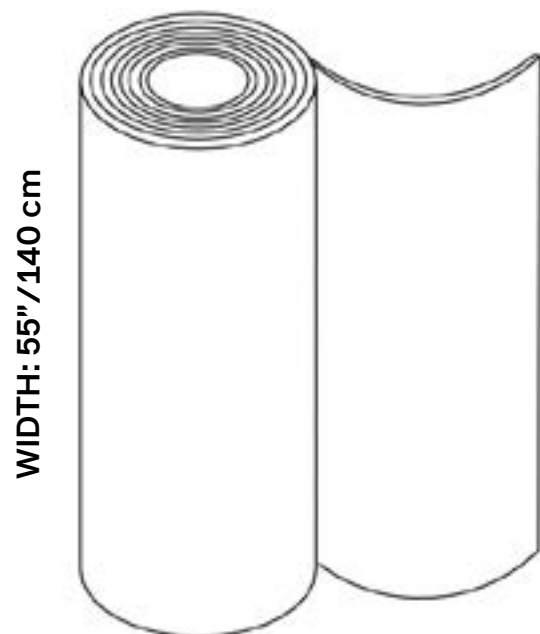
Content	100% Fire Resistant, Acoustic Sound Absorbing Polyester Fibers with Patented Snowsound Technology
Backing	Unbacked
Width	55" // 140 cm (tolerance + 0 – 3 cm)
Weight	15.0 oz per square yard / 23 oz per linear yard
Thickness	1.5 mm

ACOUSTIC PERFORMANCE & NOISE REDUCTION RATING

Absorption Coefficient & NRC	Class A Sound Absorption per ISO 11654 with NRC 1.0 achievable depending on installation. Please refer to on-line technical sheets for details.
------------------------------	---

PERFORMANCE

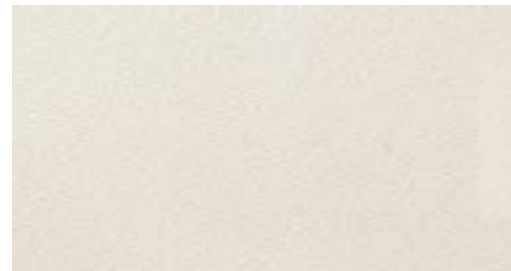
Flame Resistance	Passes NFPA 701 // NFPA 260 // CAL. TB 117 // UL 723 Class A // ASTM E 84 Class A
Environment	100% Recyclable and GREENGUARD GOLD Certified
Abrasion Resistance	30,000 rubs / cycles (tested according to Martindale Method)
Colorfastness to Light	Grade 7 – “Outstanding” (Passes AATCC 16 / ISO 105-B02:2014)
Colorfastness to Crocking	Wet – Grade 5. Dry – Grade 4/5. (Passes AATCC 8 / ISO 105-X12: 2016)
Propensity to Surface Fuzzing & Pilling	Grade 5 – “no change” (Passes ISO 12945-2:2002)
Washing & Maintenance	Normal machine washing up to 86 degrees Fahrenheit. Ironing on low heat acceptable. Dry cleaning is acceptable (any solvent except Trichloroethylene). Do not tumble dry.



FIBER 1 COLOR SWATCHES

PRICE LIST

Rolls	27.3yd/25m	8.7yd/8m
-------	------------	----------



White
 27.3 yd 7F1-25-0001
 8.7 yd 7F1-8-0001



Beige
 27.3 yd 7F1-25-1008
 8.7 yd 7F1-8-1008



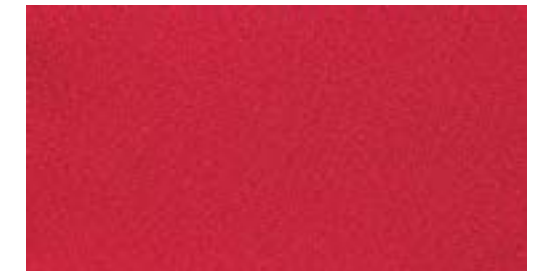
Dove Gray
 27.3 yd 7F7-25-2005
 8.7 yd 7F1-8-2005



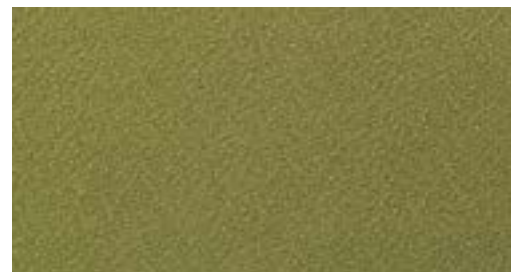
Sun Yellow
 27.3 yd 7F1-25-3008
 8.7 yd 7F1-8-3008



Carrot Orange
 27.3 yd 7F1-25-4030
 8.7 yd 7F1-8-4030



Red
 27.3 yd 7F1-25-4027
 8.7 yd 7F1-8-4027



Olive Green
 27.3 yd 7F1-25-7004
 8.7 yd 7F1-8-7004



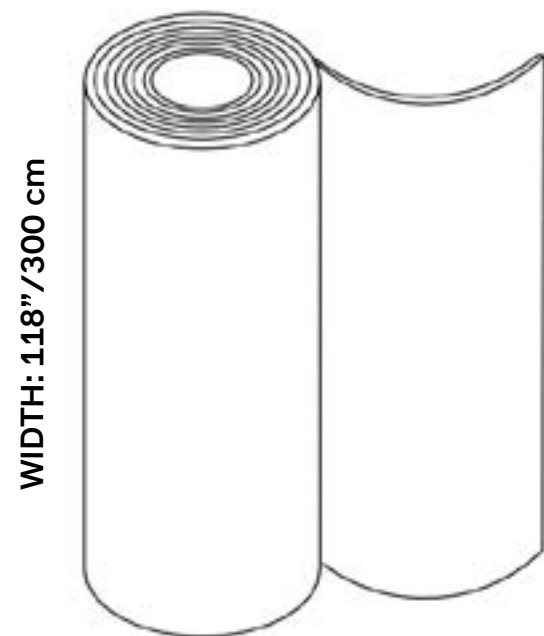
Silver Gray
 27.3 yd 7F1-25-8004
 8.7 yd 7F1-8-8004

Custom length rolls between 8.7 yards and 27.3 yards are available on request with extended lead time and cutting fee. Please contact your local representative for information.

FIBER 2 LINE



FIBER 2 LINE



SNOWSOUND

PHYSICAL PROPERTIES

Content	100% Fire Resistant, Acoustic Sound Absorbing Polyester Fibers with Patented Snowsound Technology
Backing	Unbacked
Width	118" // 300 cm (tolerance + 0 – 3 cm)
Weight	6.5 oz per square yard / 10.7 oz per linear yard
Thickness	0.6 mm

ACOUSTIC PERFORMANCE & NOISE REDUCTION RATING

Absorption Coefficient & NRC	Sound Absorption rating per ISO 11654 with NRC up to .90 achievable depending on installation. Please refer to on-line technical sheets for details
------------------------------	---

PERFORMANCE

Flame Resistance	Passes NFPA 701 // NFPA 260 // CAL. TB 117 // UL 723 Class A // ASTM E 84 Class A
Environment	100% Recyclable and GREENGUARD GOLD Certified
Thermal & Visual Comfort	Data available according to standard ISO 14501:2006 – Solar Transmittance / Light Transmittance / UV Transmittance / Solar Reflectance / Light Reflectance / Solar Absorption / Light Absorption / Glare Control / Night Privacy / Visual Contact with the outside / Daylight Utilization / Light Transmittance (openness factor) / Solar Factor / Secondary Heat Transfer / Solar Transmittance / Shading Coefficient
Washing & Maintenance	Normal machine washing up to 86 degrees Fahrenheit. Ironing on low heat acceptable. Dry cleaning is acceptable (any solvent except Trichloroethylene). Do not tumble dry.

FIBER 2 LINE SWATCHES

SPECS

Rolls	27.3yd/25m	8.7yd/8m
-------	------------	----------



Natural White

27.3 yd 7F2.3-25-200

8.7 yd 7F2.3-8-200



Ice Gray

27.3 yd 7F2.3-25-202

8.7 yd 7F2.3-8-202



Cream

27.3 yd 7F2.3-25-201

8.7 yd 7F2.3-8-201



Medium Gray

27.3 yd 7F2.3-25-203

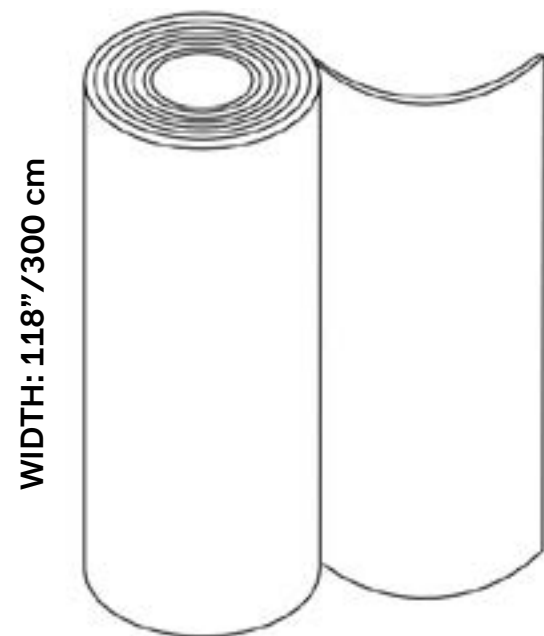
8.7 yd 7F2.3-8-203

Custom length rolls between 8.7 yards and 27.3 yards are available on request with extended lead time and cutting fee.
Please contact your local representative for information.

FIBER 2R LINE-R



FIBER 2R LINE-R



SNOWSOUND

PHYSICAL PROPERTIES

Content	100% Fire Resistant, Acoustic Sound Absorbing Polyester Fibers with Patented Snowsound Technology
Backing	Unbacked
Width	118" // 300 cm (tolerance + 0 – 3 cm)
Weight	6.5 oz per square yard / 10.7 oz per linear yard
Thickness	0.6 mm

ACOUSTIC PERFORMANCE & NOISE REDUCTION RATING

Absorption Coefficient & NRC	Sound Absorption rating per ISO 11654 with NRC up to .60 achievable depending on installation. Please refer to on-line technical sheets for details.
------------------------------	--

PERFORMANCE

Flame Resistance	Passes NFPA 701 // NFPA 260 // CAL. TB 117 // UL 723 Class A // ASTM E 84 Class A
Environment	100% Recyclable and GREENGUARD GOLD Certified
Thermal & Visual Comfort	Data available according to standard ISO 14501:2006 – Solar Transmittance / Light Transmittance / UV Transmittance / Solar Reflectance / Light Reflectance / Solar Absorption / Light Absorption / Glare Control / Night Privacy / Visual Contact with the outside / Daylight Utilization / Light Transmittance (openness factor) / Solar Factor / Secondary Heat Transfer / Solar Transmittance / Shading Coefficient
Washing & Maintenance	Avoid machine washing. Maintenance allows for spot cleaning and stain removal.

FIBER 2R LINE-R SWATCHES

SPECS

Rolls	27.3yd/25m	8.7yd/8m
-------	------------	----------



Natural White

27.3 yd 7F2R.3-25-200

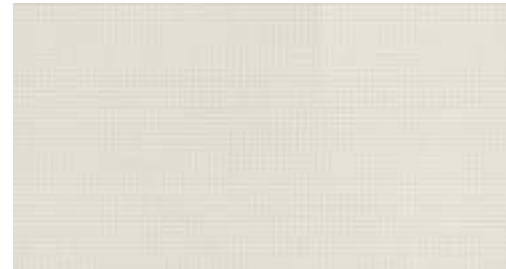
8.7 yd 7F2R.3-8-200



Ice Gray

27.3 yd 7F2R.3-25-202

8.7 yd 7F2R.3-8-202



Cream

27.3 yd 7F2R.3-25-201

8.7 yd 7F2R.3-8-201



Medium Gray

27.3 yd 7F2R.3-25-203

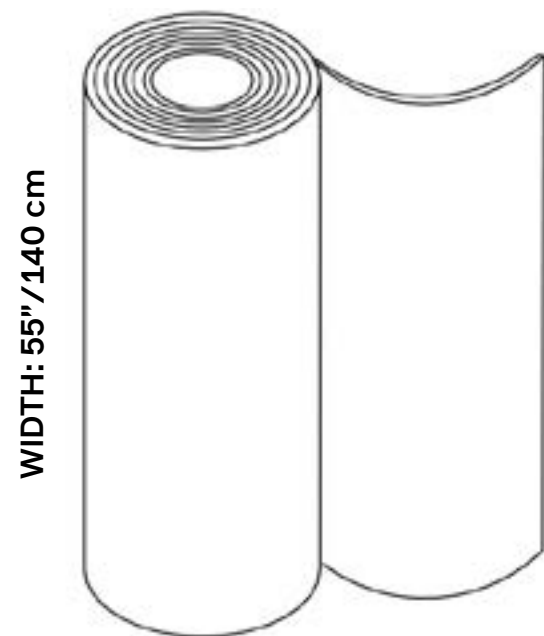
8.7 yd 7F2R.3-8-203

Custom length rolls between 8.7 yards and 27.3 yards are available on request with extended lead time and cutting fee.
Please contact your local representative for information.

FIBER 3 MELANGE



FIBER 3 MELANGE



SNOWSOUND

PHYSICAL PROPERTIES

Content	100% Fire Resistant, Acoustic Sound Absorbing Polyester Fibers with Patented Snowsound Technology
Backing	Unbacked
Width	55" // 140 cm (tolerance + 0 – 3 cm)
Weight	10.0 oz per square yard / 15.4 oz per linear yard
Thickness	1 mm

ACOUSTIC PERFORMANCE & NOISE REDUCTION RATING

Absorption Coefficient & NRC	Class A Sound Absorption per ISO 11654 with NRC 1.0 achievable depending on installation. Please refer to on-line technical sheets for details
------------------------------	--

PERFORMANCE

Flame Resistance	Passes NFPA 701 // NFPA 260 // CAL. TB 117 // UL 723 Class A // ASTM E 84 Class A
Environment	100% Recyclable and GREENGUARD GOLD Certified
Abrasion Resistance	50,000 rubs /cycles (tested according to Martindale Method)
Colorfastness to Light	Grade 7 – “Outstanding” (Passes AATCC 16 / ISO 105–B02:2014)
Colorfastness to Crocking	Wet – Grade 5. Dry – Grade 4/5. (Passes AATCC 8 / ISO 105–X12: 2016)
Propensity to Surface Fuzzing and Pilling	Grade 5 – “no change” (Passes ISO 12945–2:2002)
Washing & Maintenance	Normal machine washing up to 86 degrees Fahrenheit. Ironing on low heat acceptable. Dry cleaning is acceptable (any solvent except Trichloroethylene). Do not tumble dry.

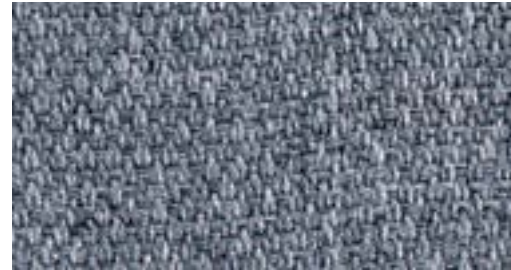
FIBER 3 MELANGE SWATCHES

SPECS

Yard rolls

27.3yd/25m

8.7yd/8m



Gray Ice

27.3 yd 7F3-25-300

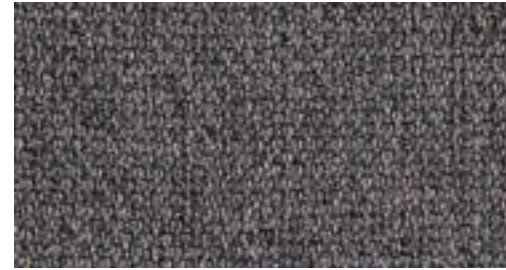
8.7 yd 7F3-8-300



Anthracite

27.3 yd 7F3-25-302

8.7 yd 7F3-8-302



Gray Taupe

27.3 yd 7F3-25-303

8.7 yd 7F3-8-303



Gray Beige

27.3 yd 7F3-25-304

8.7 yd 7F3-8-304



Azure

27.3 yd 7F3-25-305

8.7 yd 7F3-8-305



Gray Burgundy

27.3 yd 7F3-25-306

8.7 yd 7F3-8-306



Gray Plum

27.3 yd 7F3-25-307

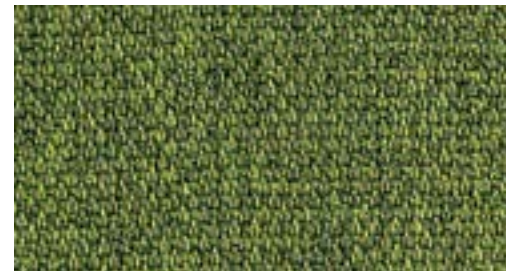
8.7 yd 7F3-8-307



Gray Blue

27.3 yd 7F3-25-308

8.7 yd 7F3-8-308



Gray Green

27.3 yd 7F3-25-309

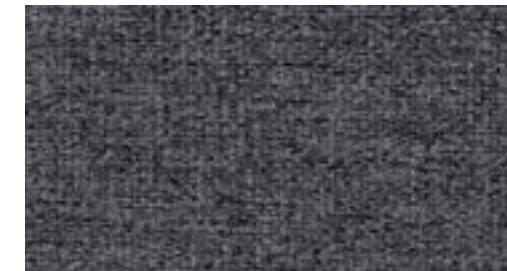
8.7 yd 7F3-8-309



Gray Gold

27.3 yd 7F3-25-310

8.7 yd 7F3-8-310



Carbon Gray

27.3 yd 7F3-25-311

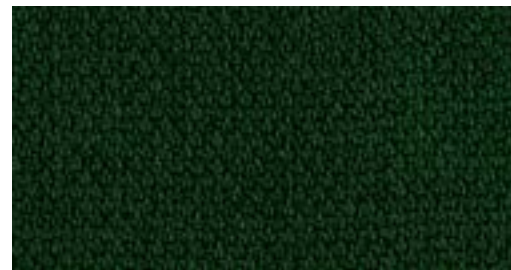
8.7 yd 7F3-8-311



Patina

27.3 yd 7F3-25-312

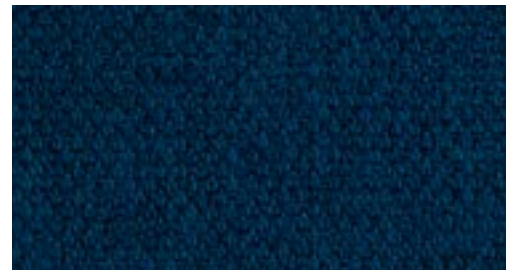
8.7 yd 7F3-8-312



Evergreen

27.3 yd 7F3-25-313

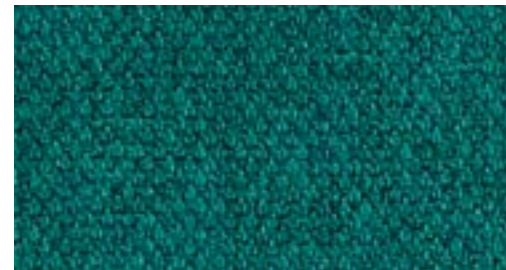
8.7 yd 7F3-8-313



Admiral Blue

27.3 yd 7F3-25-314

8.7 yd 7F3-8-314



Fiji

27.3 yd 7F3-25-315

8.7 yd 7F3-8-315



Ivory

27.3 yd 7F3-25-316

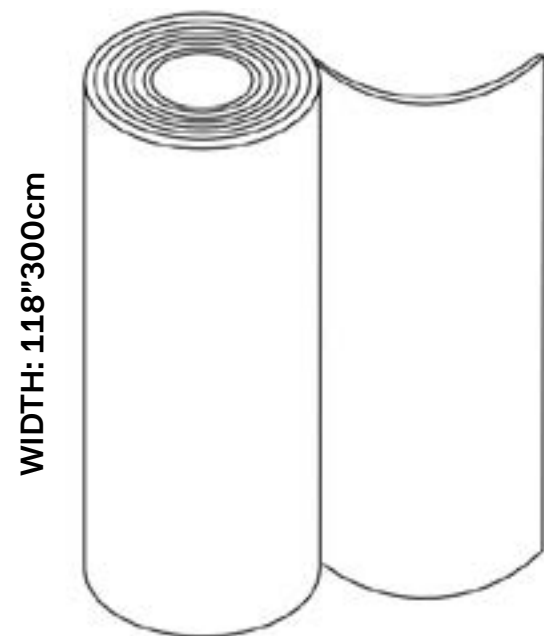
8.7 yd 7F3-8-316

Custom length rolls between 8.7 yards and 27.3 yards are available on request with extended lead time and cutting fee.
Please contact your local representative for information.

FIBER 6 VELVET



FIBER 6 VELVET



SNOWSOUND

PHYSICAL PROPERTIES

Content	100% Fire Resistant, Acoustic Sound Absorbing Polyester Fibers with Patented Snowsound Technology
Backing	Unbacked
Width	118" //300cm (tolerance + 0 – 3 cm)
Weight	12.5 oz per square yard / 41.1 oz per linear yard
Thickness	1.7 mm

ACOUSTIC PERFORMANCE & NOISE REDUCTION RATING

Absorption Coefficient & NRC	Class A Sound Absorption per ISO 11654 with NRC 1.0 achievable depending on installation. Please refer to on-line technical sheets for details
------------------------------	--

PERFORMANCE

Flame Resistance	Passes NFPA 701 // NFPA 260 // CAL. TB 117 // UL 723 Class A // ASTM E 84 Class A
Environment	100% Recyclable and GREENGUARD GOLD Certified
Abrasion Resistance	65,000 rubs /cycles (tested according to Martindale Method)
Colorfastness to Light	Grade 6/7 – “Excellent” (Passes AATCC 16 / ISO 105–B02:2014)
Colorfastness to Wet and Dry Crocking	Wet & Dry – Grade 5 (Passes AATCC 8 / ISO 105–X12: 2016)
Propensity to Surface Fuzzing and Pilling	Grade 5 – “no change” (Passes ISO 12945–2:2002)
Washing & Maintenance	Normal machine washing up to 86 degrees Fahrenheit. Ironing on low heat acceptable. Dry cleaning is acceptable (any solvent except Trichloroethylene). Do not tumble dry.

FIBER 6 VELVET SWATCHES

SPECS

Rolls	27.3yd/25m	6.5yd/6m
-------	------------	----------



Red
 27.3 yd 7F6-25-600
 6.5 yd 7F6-6-600



Beige
 27.3 yd 7F6-25-604
 6.5 yd 7F6-6-604



Forest Green
 27.3 yd 7F6-25-608
 6.5 yd 7F6-6-608



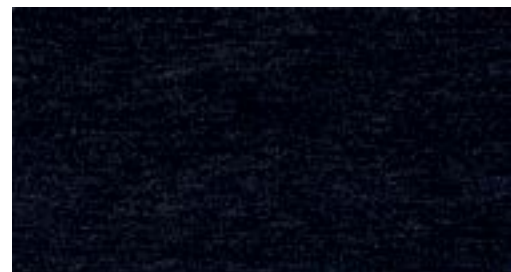
Coffee Brown
 27.3 yd 7F6-25-601
 6.5 yd 7F6-6-601



Cream
 27.3 yd 7F6-25-605
 6.5 yd 7F3-6-605



Powder Blue
 27.3 yd 7F6-25-609
 6.5 yd 7F6-6-609



Black
 27.3 yd 7F6-25-602
 6.5 yd 7F6-6-602



Powder Pink
 27.3 yd 7F6-25-606
 6.5 yd 7F6-6-606



Mustard Gold
 27.3 yd 7F6-25-610
 6.5 yd 7F6-6-610



Teal
 27.3 yd 7F6-25-603
 6.5 yd 7F6-6-603



Medium Gray
 27.3 yd 7F6-25-607
 6.5 yd 7F6-6-607



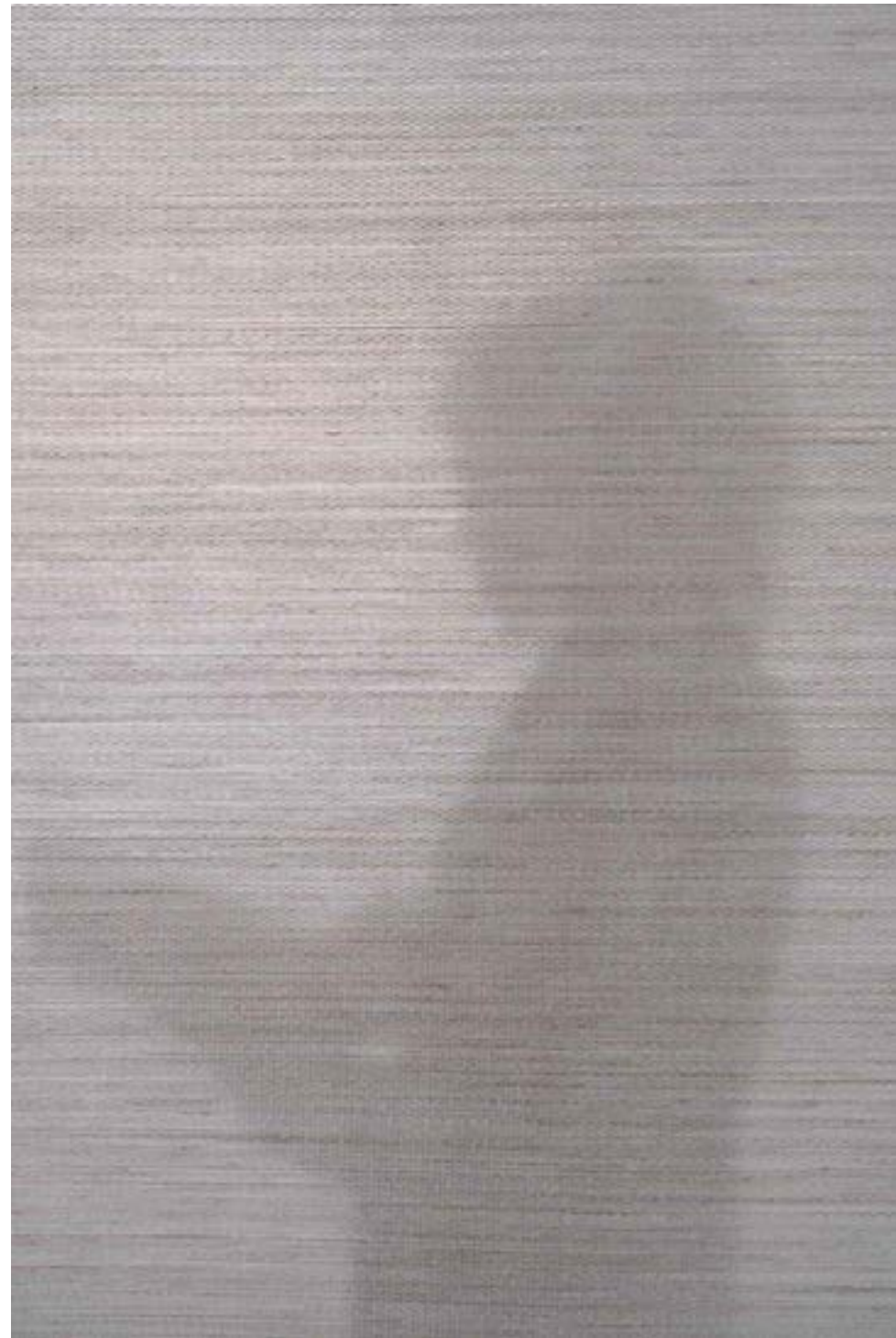
Navy Blue
 27.3 yd 7F6-25-611
 8.7 yd 7F6-6-611

Custom length rolls between 6.5 yards and 27.3 yards are available on request with extended lead time and cutting fee.
 Please contact your local representative for information.

FIBER 7 VELO SHEER



FIBER 7 VELO SHEER



PHYSICAL PROPERTIES

Content	100% Fire Resistant, Acoustic Sound Absorbing Polyester Fibers with Patented Snowsound Technology
Backing	Unbacked
Width	130" / 330 cm (tolerance + 0 – 3 cm)
Weight	3.3 oz per square yard / 12 oz per linear yard

ACOUSTIC PERFORMANCE & NOISE REDUCTION RATING

Absorption Coefficient & NRC	Please refer to the online Technical Sheets for acoustical testing details
------------------------------	--

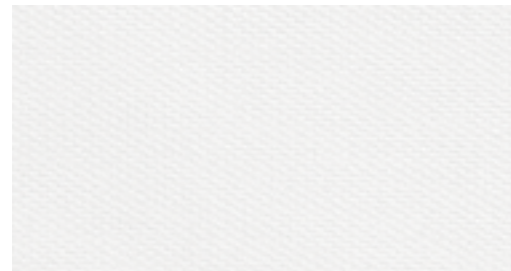
PERFORMANCE

Flame Resistance	Passes NFPA 701 // NFPA 260 // CAL. TB 117 // UL 723 Class A // ASTM E84 Class A
Environment	100% Recyclable and GREENGUARD GOLD Certified
Thermal & Visual Comfort	Data available according to standard ISO 14501:2006 – Solar Transmittance / Light Transmittance / UV Transmittance / Solar Reflectance / Light Reflectance / Solar Absorption / Light Absorption / Glare Control / Night Privacy / Visual Contact with the outside / Daylight Utilization / Light Transmittance (openness factor) / Solar Factor / Secondary Heat Transfer / Solar Transmittance / Shading Coefficient
Washing & Maintenance	Normal machine washing up to 86 degrees Fahrenheit. Ironing on low heat acceptable. Dry cleaning is acceptable (any solvent except Trichloroethylene). Do not tumble dry.

FIBER 7 VELO SWATCHES

SPECS

Rolls	27.3yd/25m	6.5 yd/6m
-------	------------	-----------



Ghost
 27.3 yd 7F7-25-700
 6.5 yd 7F7-6-700



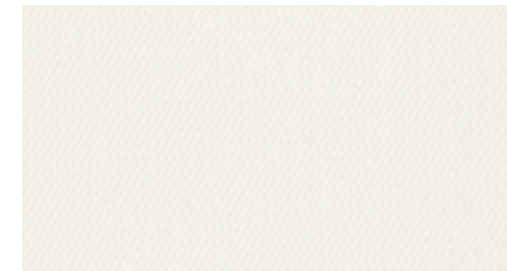
Taupe
 27.3 yd 7F7-25-701
 6.5 yd 7F7-6-701



Tan
 27.3 yd 7F7-25-702
 6.5 yd 7F7-6-702



Steel
 27.3 yd 7F7-25-703
 6.5 yd 7F7-6-703



Pearl
 27.3 yd 7F7-25-704
 6.5 yd 7F7-6-704



Walnut
 27.3 yd 7F7-25-705
 6.5 yd 7F7-6-705



Sage
 27.3 yd 7F7-25-706
 6.5 yd 7F7-6-706



Lagoon
 27.3 yd 7F7-25-707
 6.5 yd 7F7-6-707



Blush
 27.3 yd 7F7-25-708
 6.5 yd 7F7-6-708

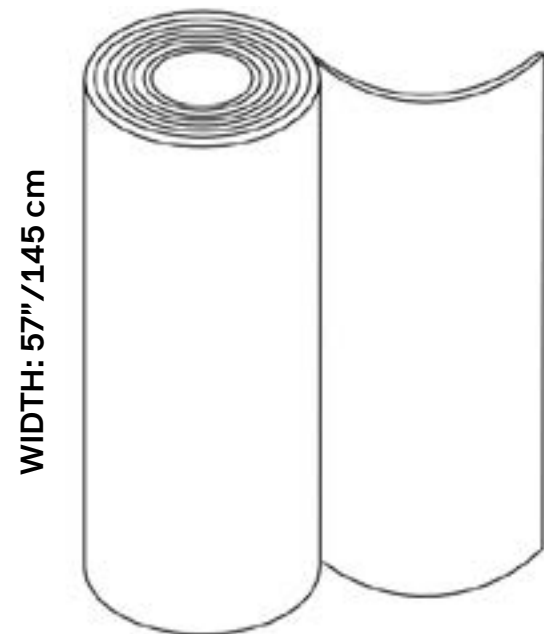


Roll sizes by-the-yard between 6.5 yards and 27.3 yards are available on request with extended lead time and cutting fee. Please contact your local representative for information and pricing.

FIBER 8 BOUCLÈ



FIBER 8 BOUCLÈ



SNOWSOUND

PHYSICAL PROPERTIES

Content	100% Fire Resistant, Acoustic Sound Absorbing Polyester Fibers with Patented Snowsound Technology
Backing	Unbacked
Width	57" // 145 cm (tolerance + 0 – 3 cm)
Weight	13.6 oz per square yard / 21.5 oz per linear yard
Thickness	1.6 mm

ACOUSTIC PERFORMANCE & NOISE REDUCTION RATING

Absorption Coefficient & NRC	Class A Sound Absorption per ISO 11654 with NRC 1.0 achievable depending on installation. Please refer to on-line technical sheets for details
------------------------------	--

PERFORMANCE

Flame Resistance	Passes NFPA 701 // NFPA 260 // CAL. TB 117 // UL 723 Class A // ASTM E 84 Class A
Environment	100% Recyclable and GREENGUARD GOLD Certified
Abrasion Resistance	25,000 rubs /cycles (tested according to Martindale Method)
Colorfastness to Light	Grade 6/7 – “Excellent” (Passes AATCC 16 / ISO 105–B02:2014)
Colorfastness to Wet and Dry Crocking	Wet & Dry – Grade 5 (Passes AATCC 8 / ISO 105–X12: 2016)
Propensity to Surface Fuzzing and Pilling	Grade 5 – “no change” (Passes ISO 12945–2:2002)
Washing & Maintenance	Normal machine washing up to 86 degrees Fahrenheit. Ironing on low heat acceptable. Dry cleaning is acceptable (any solvent except Trichloroethylene). Do not tumble dry.

FIBER 8 BOUCLÉ SWATCHES

SPECS

Rolls	27.3yd/25m	8.7yd/8m
-------	------------	----------



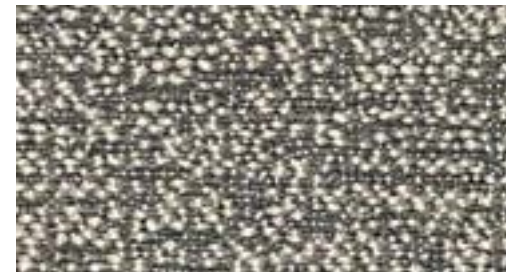
Dove Coffee

27.3 yd	7F8-25-800
8.7 yd	7F8-8-800



Gray Ice

27.3 yd	7F8-25-801
8.7 yd	7F8-8-801



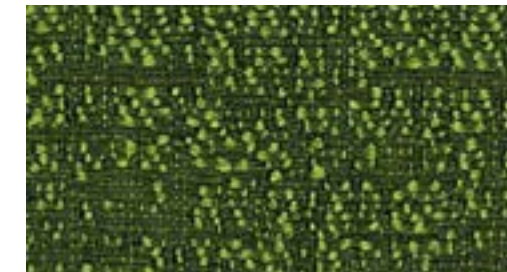
Gray Beige

27.3 yd	7F8-25-802
8.7 yd	7F8-8-802



Graphite

27.3 yd	7F8-25-803
8.7 yd	7F8-8-803



Clover

27.3 yd	7F8-25-804
8.7 yd	7F8-8-804



Oxford

27.3 yd	7F8-25-805
8.7 yd	7F8-8-805



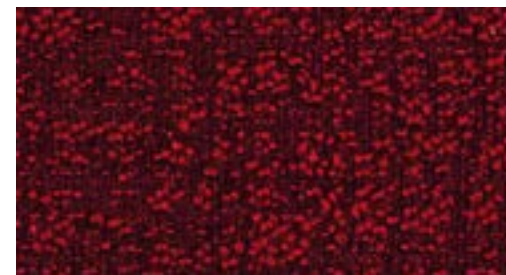
Syreni Blue

27.3 yd	7F8-25-806
8.7 yd	7F8-8-806



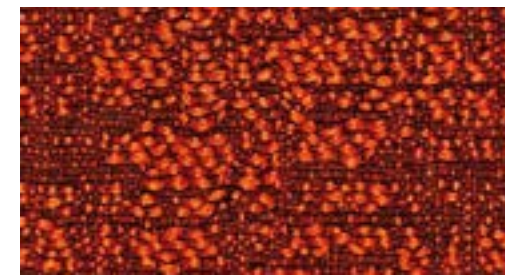
Obsedian

27.3 yd	7F8-25-807
8.7 yd	7F8-8-807



Garnet

27.3 yd	7F8-25-808
8.7 yd	7F8-8-808



Sandstone

27.3 yd	7F8-25-809
8.7 yd	7F8-8-809



Frost

27.3 yd	7F8-25-810
8.7 yd	7F8-8-810



Rhino

27.3 yd	7F8-25-811
8.7 yd	7F8-8-811



Sahara

27.3 yd	7F8-25-812
8.7 yd	7F8-8-812



Yosemite

27.3 yd	7F8-25-813
8.7 yd	7F8-8-813



Arctic

27.3 yd	7F8-25-814
8.7 yd	7F8-8-814



Mint

27.3 yd	7F8-25-815
8.7 yd	7F8-8-815

Custom length rolls between 8.7 yards and 27.3 yards are available on request with extended lead time and cutting fee.
Please contact your local representative for information.

FIBER 12 ECONYL



FIBER 12 ECONYL

PHYSICAL PROPERTIES

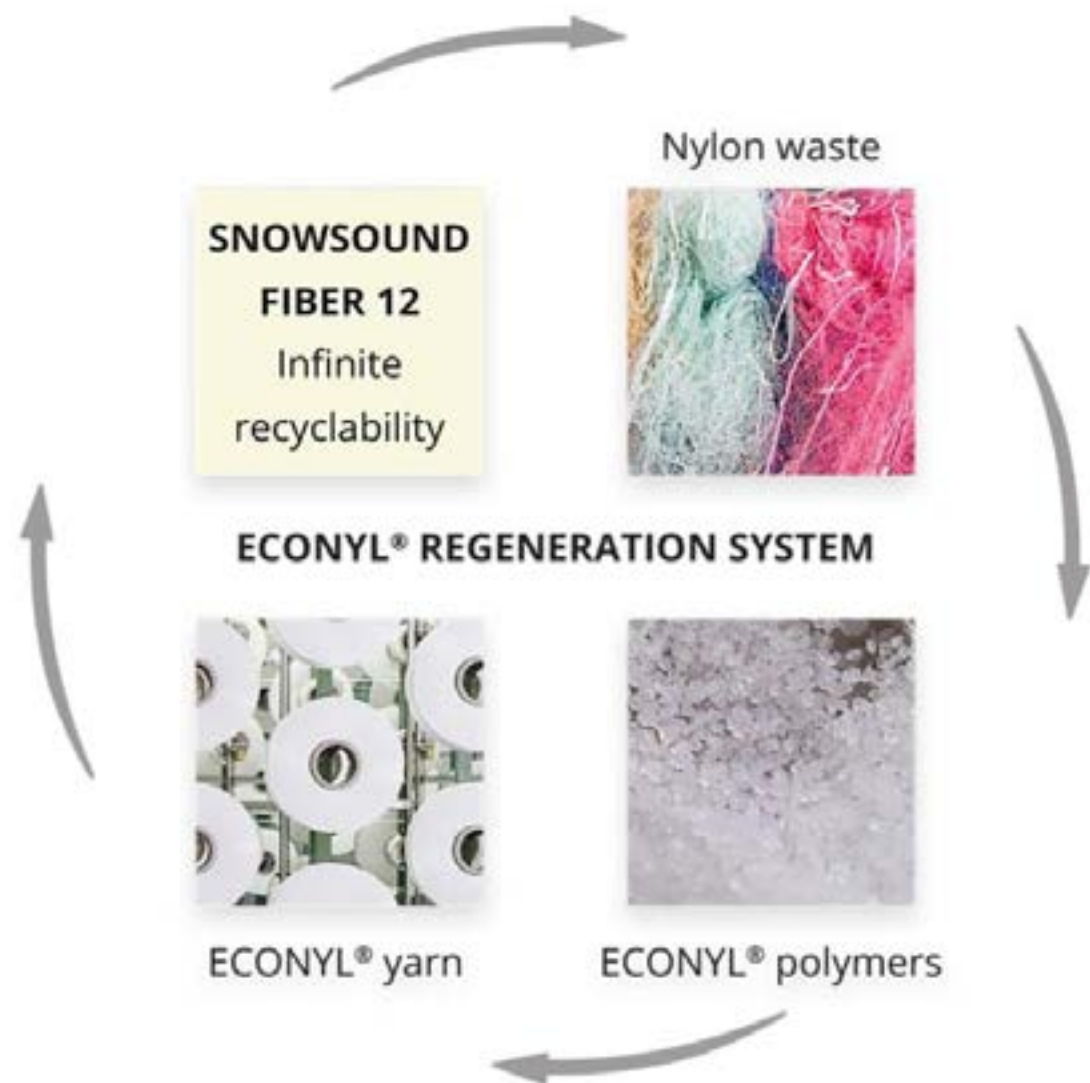
Content	100% Fire Resistant, Acoustic Sound Absorbing Regenerated Nylon with Patented Snowsound Technology
Backing	Unbacked
Width	55" / 140 cm (tolerance + 0 – 3 cm)
Weight	9.7 oz per square yard / 14.8 oz per linear yard
Thickness	1.6 mm

ACOUSTIC PERFORMANCE & NOISE REDUCTION RATING

Absorption Coefficient & NRC	Please refer to the online Technical Sheets for acoustical testing details
------------------------------	--

PERFORMANCE

Flame Resistance	Passes NFPA 701 // NFPA 260 // CAL. TB 117 // UL 723 Class A // ASTM E 84 Class A
Environment	100% Infinitely Recyclable and GREENGUARD GOLD Certified
Abrasion Resistance	750,000 rubs /cycles (tested according to Martindale Method)
Colorfastness to Light	Grade 6/7 – “Excellent” (Passes AATCC 16 / ISO 105–B02:2014)
Colorfastness to Wet and Dry Crocking	Wet & Dry – Grade 4/5 (Passes AATCC 8 / ISO 105–X12: 2016)
Propensity to Surface Fuzzing and Pilling	Grade 5 – “no change” (Passes ISO 12945–2:2021)
Washing & Maintenance	Normal machine washing up to 86 degrees Fahrenheit. Ironing on low heat acceptable. Dry cleaning is acceptable (any solvent except Trichloroethylene). Do not tumble dry.



FIBER 12 ECONYL SWATCHES

SPECS

Rolls	27.3yd/25m	8.7yd/8m
-------	------------	----------



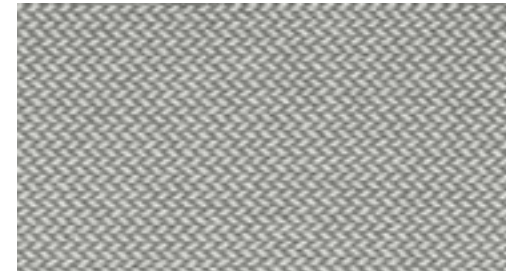
Viper
 27.3 yd 7F12-25-1200
 8.7 yd 7F12-6-1200



Berry
 27.3 yd 7F12-25-1201
 8.7 yd 7F12-6-1201



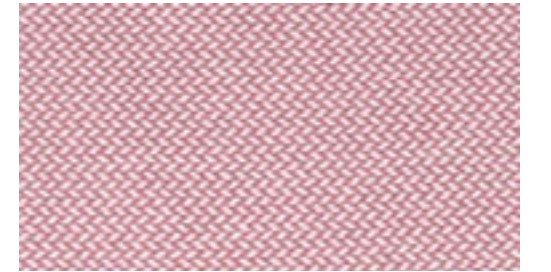
Chess
 27.3 yd 7F12-25-1202
 8.7 yd 7F12-6-1202



Igloo
 27.3 yd 7F12-25-1203
 8.7 yd 7F12-6-1203



Camel
 27.3 yd 7F12-25-1204
 8.7 yd 7F12-6-1204



Ribbon
 27.3 yd 7F12-25-1205
 8.7 yd 7F12-6-1205

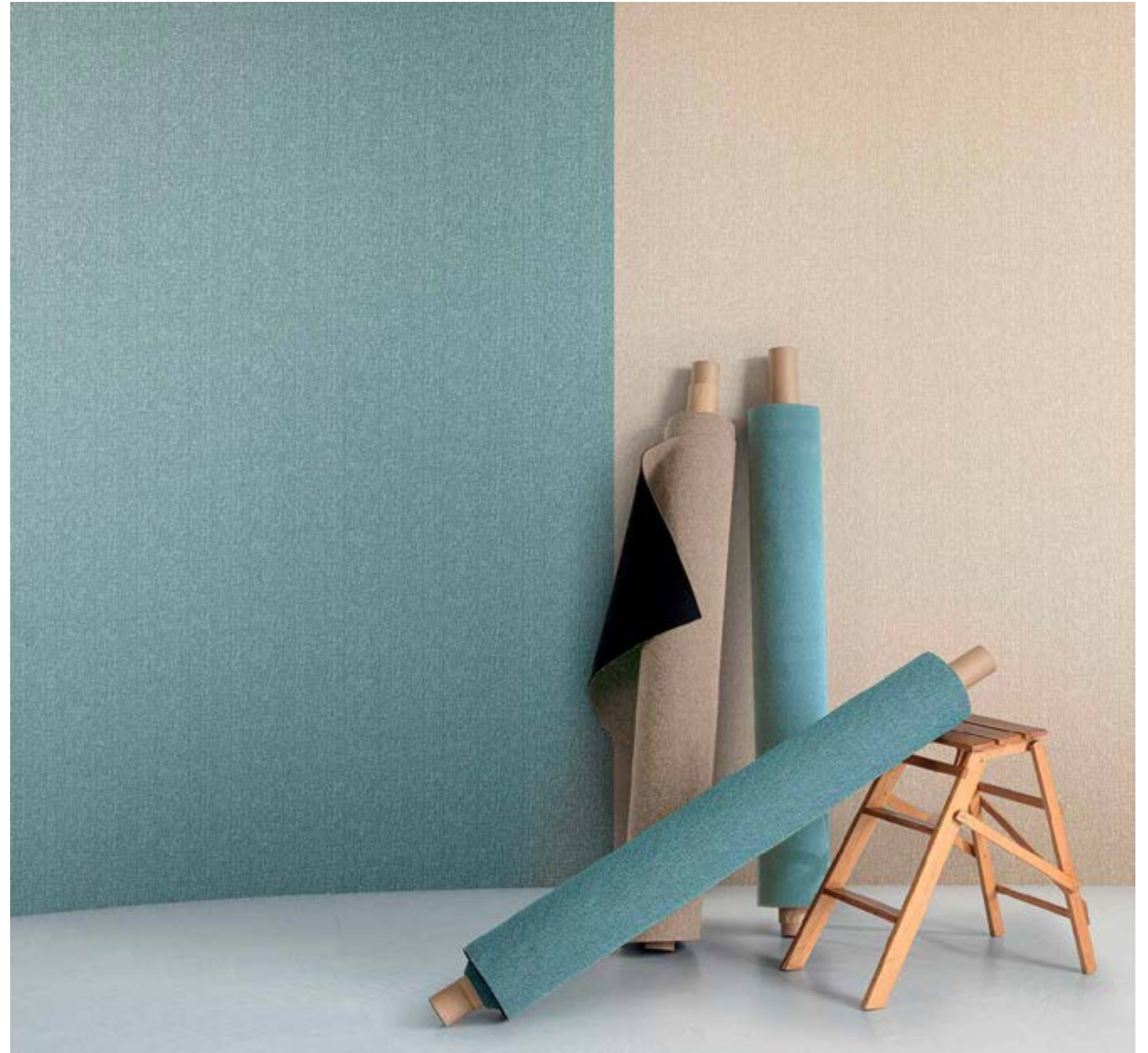


Roll sizes by-the-yard between 8.7 yards and 27.3 yards are available on request with extended lead time and cutting fee. Please contact your local representative for information and pricing.

SNOWALL

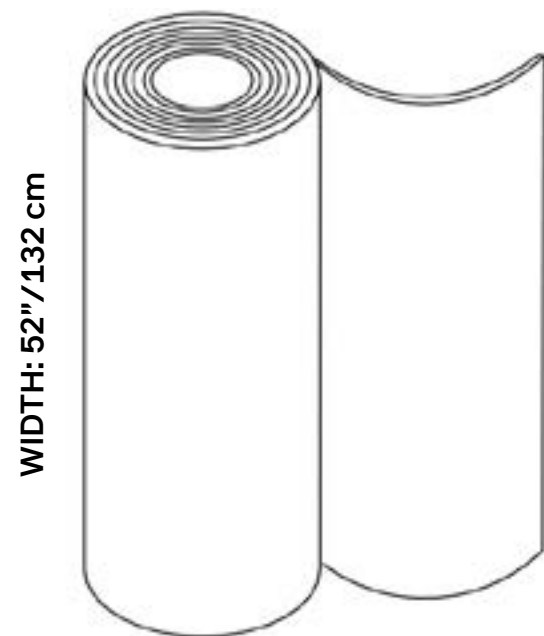


SNOWSOUND



SNOWALL

Snowall is an acoustic wall-covering constructed of 100% polyester felt paired with Snowsound Fiber patented acoustic textiles as the top cover, using a unique application system. The felt backing to the Snowsound-Fiber and the absence of space between the two materials significantly reduce its propensity to attract dust, pollen, and insects. Snowall is available in rolls of different lengths. Snowall is environmentally friendly, 100% recyclable, Greenguard Gold Certified, Class A fire-rated, and has no detectable formaldehyde content, tested according to the UNI EN 717-2. Snowall is available with Snowsound Fiber 3 Mélange and Fiber 8 Bouclè fabric coverings. Snowall can be easily glued to the wall like any standard typical wall-covering.



PHYSICAL PROPERTIES

Content	100% Fire Resistant, Acoustic Sound Absorbing Polyester Fibers with Patented Snowsound Technology
Backing	100% Polyester Felt
Width	52" // 132 cm (tolerance + 0 – 3 cm)
Thickness	4 mm

ACOUSTIC PERFORMANCE & NOISE REDUCTION RATING

Absorption Coefficient & NRC	NRC - 0.25, SAA - 0.27 (ASTM C423 / ISO 354)
------------------------------	--

PERFORMANCE - FIBER 3

Flame Resistance	Passes NFPA 701 // NFPA 260 // CAL. TB 117 // UL 723 Class A // ASTM E 84 Class A
Environment	100% Recyclable and GREENGUARD GOLD Certified, LEED v4 Credits and Certification, Declare Label, LBC Red List Free
Colorfastness to Light	Grade 7 – “Outstanding” (Passes AATCC 16 / ISO 105–B02:2014)
Propensity to Surface Fuzzing and Pilling	Grade 5 – “no change” (Passes ISO 12945–2:2002)

PERFORMANCE - FIBER 8

Flame Resistance	Passes NFPA 701 // NFPA 260 // CAL. TB 117 // UL 723 Class A // ASTM E 84 Class A
Environment	100% Recyclable and GREENGUARD GOLD Certified, LEED v4 Credits and Certification, Declare Label, LBC Red List Free
Colorfastness to Light	Grade 6/7 – “Excellent” (Passes AATCC 16/ ISO 105–B02:2014)
Propensity to Surface Fuzzing and Pilling	Grade 5 – “no change” (Passes ISO 12945–2:2002)

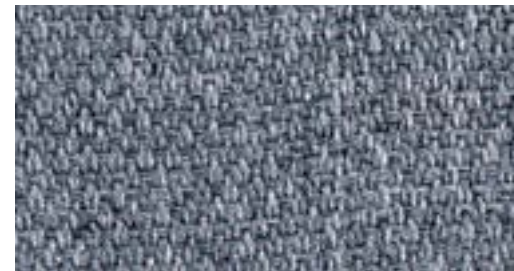
SNOWALL FIBER 3 SWATCHES

Item No	7SWF3-4-XXX	7SWF3-5-XXX	7SWF3-6-XXX	7SWF3-7-XXX	7SWF3-8-XXX	7SWF3-9-XXX	7SWF3-10-XXX	7SWF3-15-XXX
Roll Size	52" x 4.3 yd	52" x 5.4 yd	52" x 6.5 yd	52" x 7.6 yd	52" x 8.7 yd	52" x 9.8 yd	52" x 10.9 yd	52" x 16.4 yd
Sq Ft per Roll	56 sf	71 sf	85 sf	99 sf	113 sf	127 sf	142 sf	213 sf

List Price

Contact Snowsound for minimum order lots and extended lead time

STANDARD COLORS



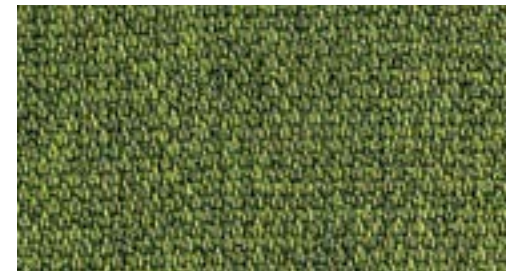
Gray Ice 300



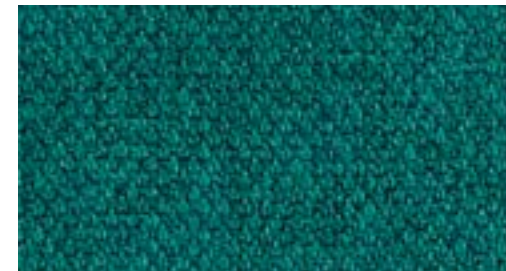
Azure 305



Gray Blue 308

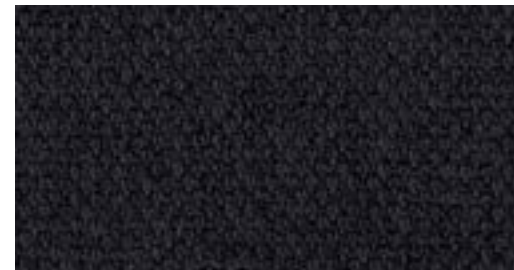


Gray Green 309



Fiji 315

COLORS AVAILABLE ON REQUEST



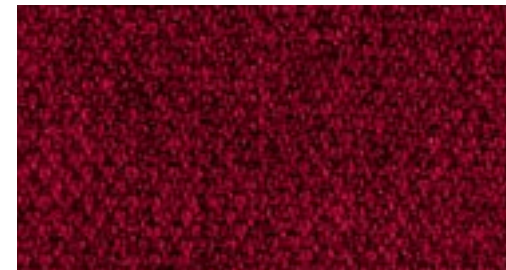
Anthracite** 302



Gray Taupe** 303



Gray Beige** 304



Gray Burgundy** 306



Gray Plum** 307



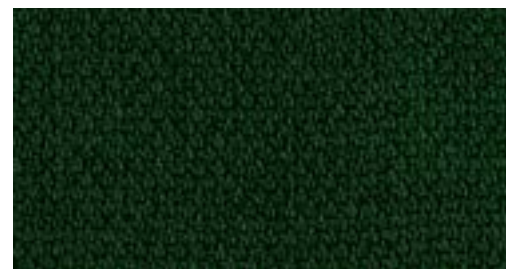
Gray Gold** 310



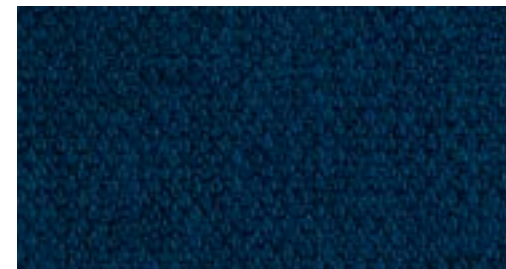
Carbon Gray** 311



Patina** 312



Evergreen** 313



Admiral Blue** 314



Ivory** 316

**Colors available on request. Please contact our sales department for minimum order lots and delivery times

SNOWALL FIBER 8 SWATCHES

Item No	7SWF8-4-XXX	7SWF8-5-XXX	7SWF8-6-XXX	7SWF8-7-XXX	7SWF8-8-XXX	7SWF8-9-XXX	7SWF8-10-XXX	7SWF8-15-XXX
Roll Size	52" x 4.3 yd	52" x 5.4 yd	52" x 6.5 yd	52" x 7.6 yd	52" x 8.7 yd	52" x 9.8 yd	52" x 10.9 yd	52" x 16.4 yd
Sq Ft per Roll	56 sf	71 sf	85 sf	99 sf	113 sf	127 sf	142 sf	213 sf

Contact Snowsound for minimum order lots and extended lead time

STANDARD COLORS



Gray Ice 801



Sahara 812



Yosemite 813



Arctic 814



Mint 815

COLORS AVAILABLE ON REQUEST



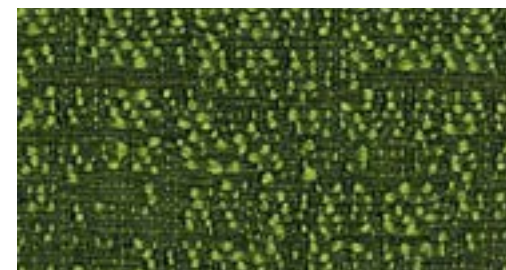
Dove Coffee** 800



Gray Beige** 802



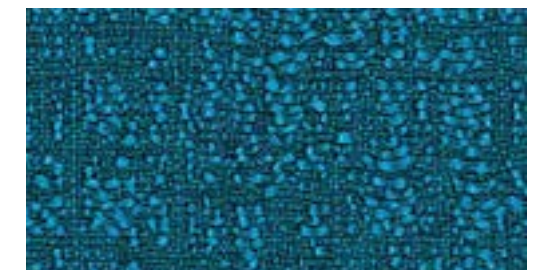
Graphite** 803



Clover** 804



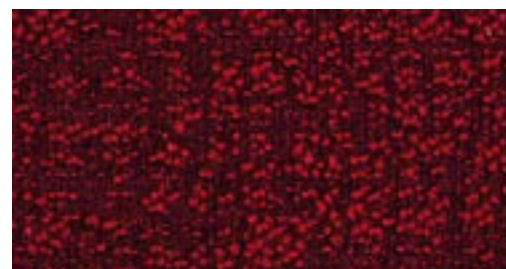
Oxford** 805



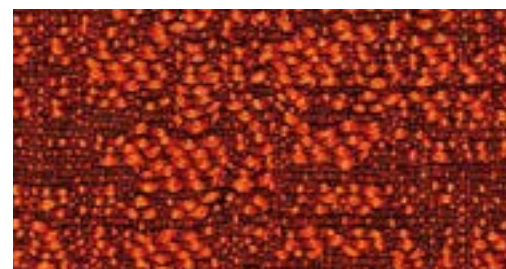
Syreni Blue** 806



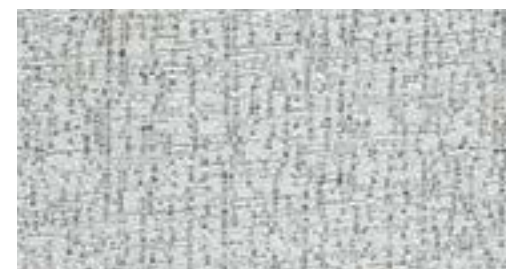
Obsedian** 807



Garnet** 808



Sandstone** 809



Frost** 810



Rhino** 811

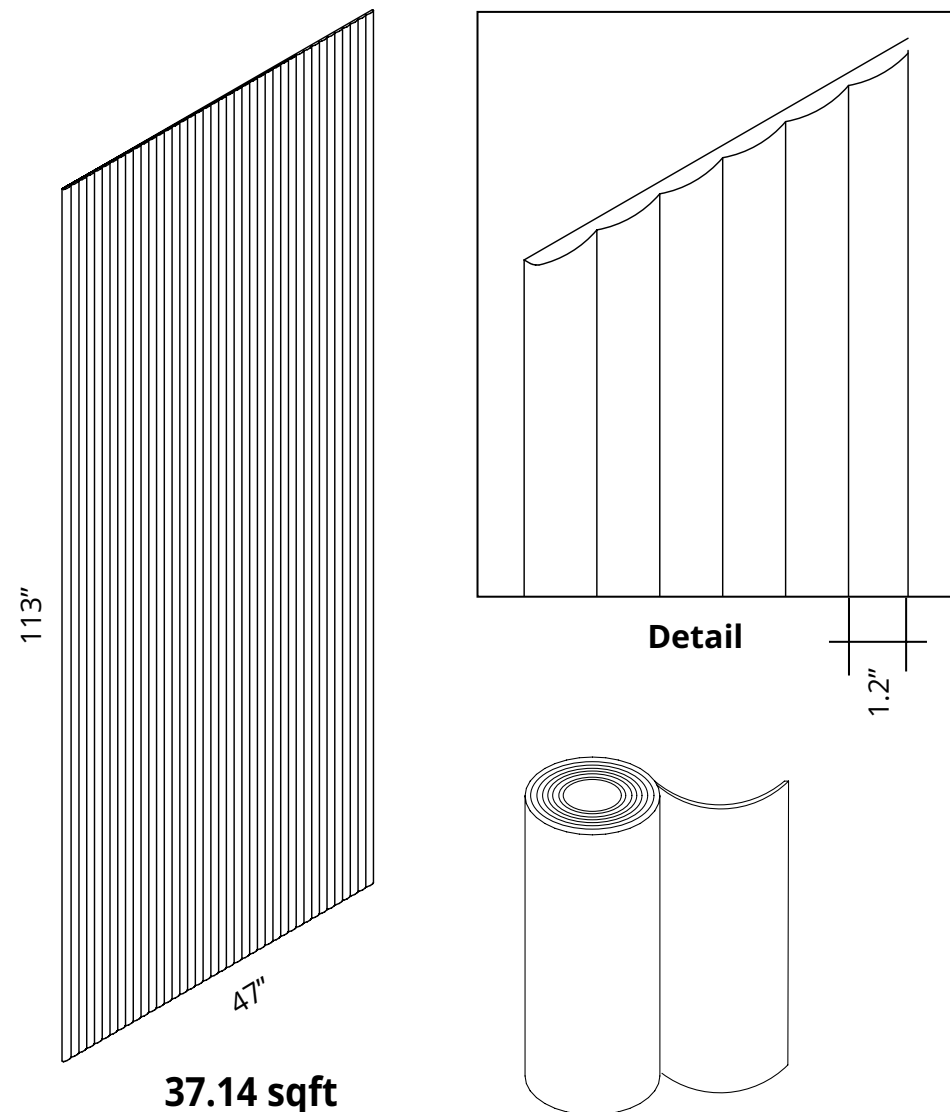
**Colors available upon request. Please contact our sales department for minimum order quantities and lead times.

SNOWALL MAX



SNOWALL MAX

Snowall Max is a flexible sound-absorbing acoustic wall-covering in the form of panels. Delivered as rolled goods, the material can be direct-glue applied to walls. Snowall Max is made of 100% polyester felt paired with Snowsound Fiber patented acoustic textiles as the top cover, using a unique application system. Available in Snowsound Fiber 3 Melange fabric, the panels can be glued to the wall side by side, maintaining the continuity of the design and can be cut on site to adapt to different installation needs.



PHYSICAL PROPERTIES

Content	100% Fire Resistant, Acoustic Sound Absorbing Polyester Fibers with Patented Snowsound Technology
Backing	Polyester Felt
Panel Dimensions	113" x 47" / 288 cm x 120 cm (tolerance + 0 – 3 cm)
Thickness	4 mm

ACOUSTIC PERFORMANCE & NOISE REDUCTION RATING

Absorption Coefficient & NRC	NRC - 0.25, SAA - 0.27 (ASTM C423 / ISO 354)
------------------------------	--

PERFORMANCE

Flame Resistance	Passes NFPA 701 // NFPA 260 // CAL. TB 117 // UL 723 Class A // ASTM E 84 Class A
Environment	100% Recyclable and GREENGUARD GOLD Certified, LEED v4 Credits and Certification, Declare Label, LBC Red List Free
Colorfastness to Light	Grade 7 – “Outstanding” (Passes AATCC 16 / ISO 105-B02:2014)
Propensity to Surface Fuzzing and Pilling	Grade 5 – “no change” (Passes ISO 12945-2:2002)

SNOWALL MAX SWATCHES

PRICE LIST

Fiber 3

Panel Dimension

113" x 47" / 288cm x 120cm

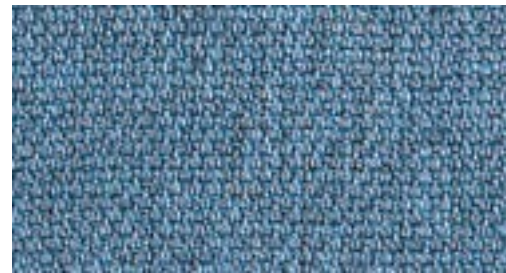
Item No

7SWMR-XXX

STANDARD COLORS



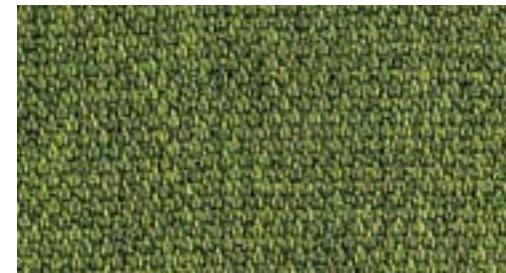
Gray Ice 300



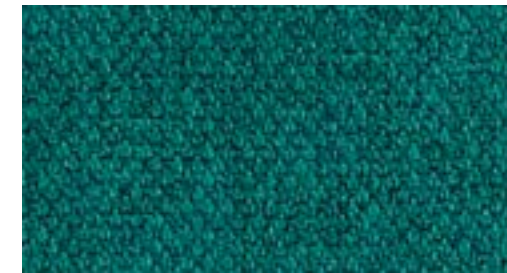
Azure 305



Gray Blue 308

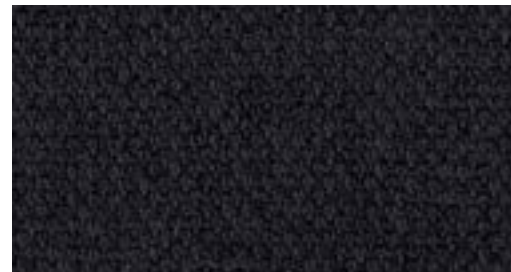


Gray Green 309



Fiji 315

COLORS AVAILABLE ON REQUEST



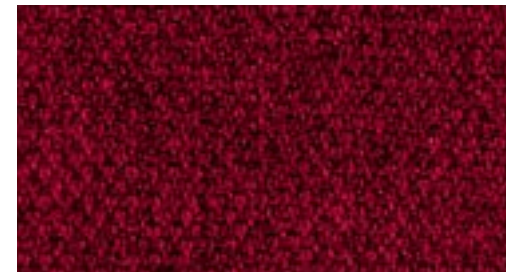
Anthracite** 302



Gray Taupe** 303



Gray Beige** 304



Gray Burgundy** 306



Gray Plum** 307



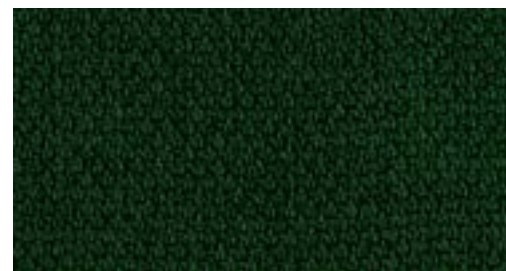
Gray Gold** 310



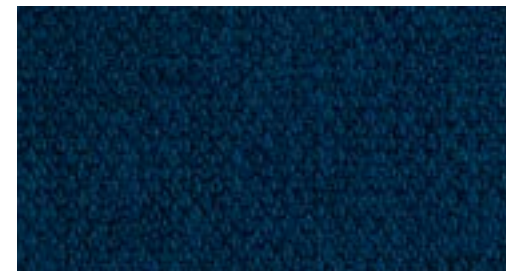
Carbon Gray** 311



Patina** 312



Evergreen** 313



Admiral Blue** 314



Ivory** 316

**Colors available upon request. Please contact our sales department for minimum order quantities and lead times.

FIBER TEXTILES SAMPLE DISPLAYS

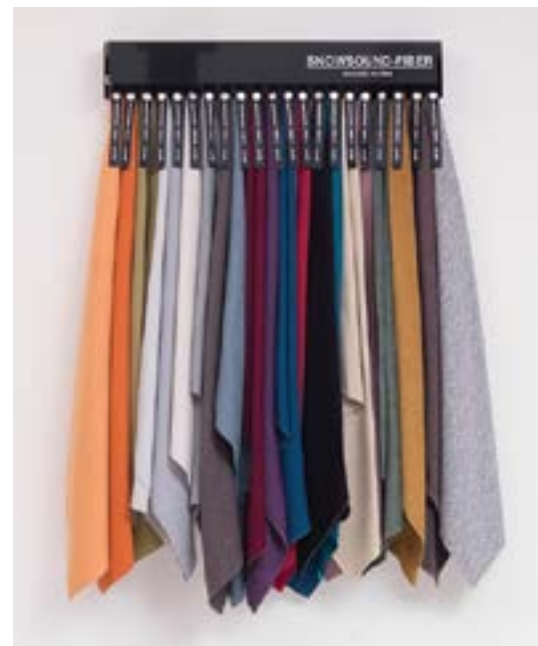
FULL FIBER TEXTILES WALL DISPLAY

Content	41 FIBER TEXTILE samples (full-range) 28" X 40" (71 x 101.6 cm)
Display dims	63" W x 54"h (160 x 137.16 cm)
Part No	7AF160CM
QTY	1 display



SELECTIVE FIBER TEXTILES WALL DISPLAY

Content	20 selected FIBER TEXTILE samples (Fixed colors) 28" x 40" (71 x 101.6 cm)
Display dims	31.5" W x 54"H (80 x 137.16 cm)
Part No	7AF80CMD
QTY	1 display

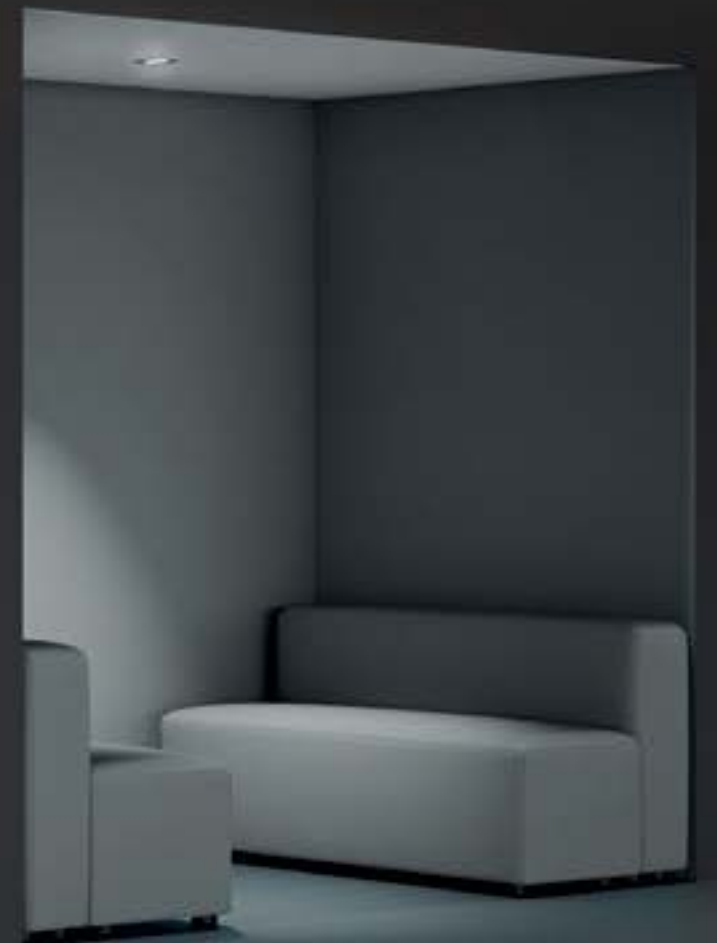


PORTABLE FIBER TEXTILES BOOKLET

Content	41 FIBER TEXTILE samples (Full-range)
Memo Samples Dims	11.5" W x 6"H (29.2 x 15.2 cm)
Part No	50010012
QTY	1 booklet



ACOUSTIC LOUNGE & FURNITURE



ACOUSTIC LOUNGE & FURNITURE



Click & jump to
the selected page

Textile Swatches	392
Cilindro	396
Napwork	400
Snowking	405
Volumi	411
Snowpouf	436
Fulcro	440
Lucrezio	446
A+E Technology	452

TEXTILE SWATCHES: FIBER 3 MELANGE



Gray Ice 300



Anthracite 302



Gray Taupe 303



Gray Beige 304



Azure 305



Gray Burgundy 306



Gray Plum 307



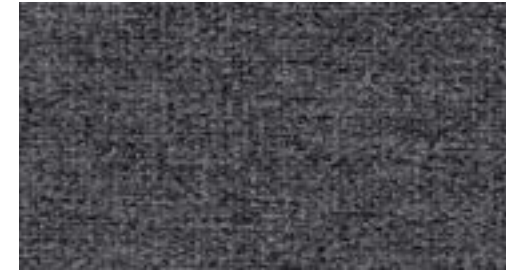
Gray Blue 308



Gray Green 309



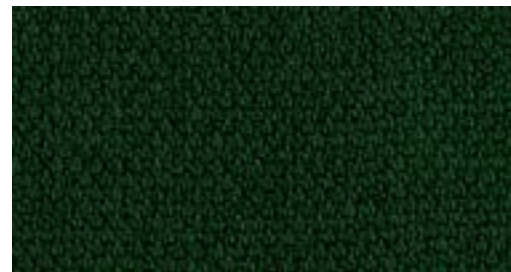
Gray Gold 310



Carbon Gray 311



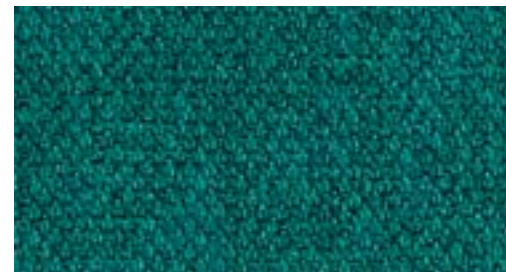
Patina 312



Evergreen 313



Admiral Blue 314



Fiji 315



Ivory** 316

** New swatches

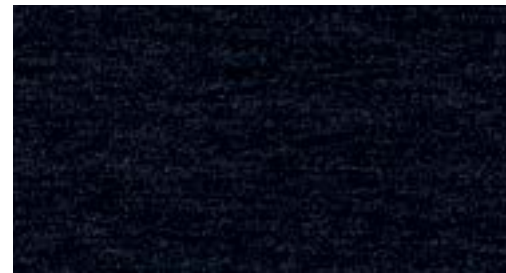
TEXTILE SWATCHES: FIBER 6 VELVET



Red 600



Coffee Brown 601



Black 602



Teal 603



Beige 604



Cream 605



Powder Pink 606



Medium Gray 607



Forest Green 608



Powder Blue 609



Mustard Gold 610



Navy Blue 611

TEXTILE SWATCHES: FIBER 8 BOUCLÈ



Dove Coffee

800



Gray Ice

801



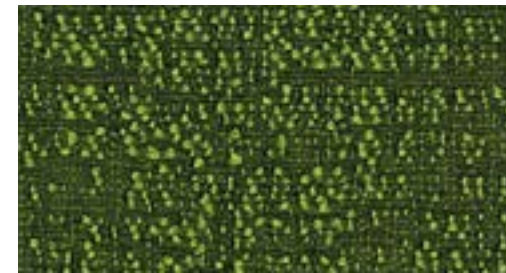
Gray Beige

802



Graphite

803



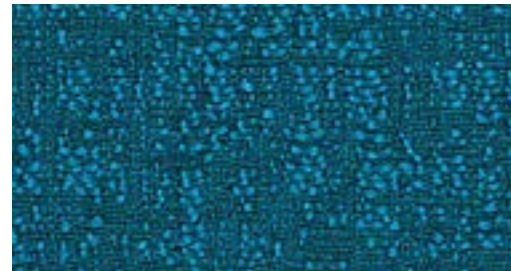
Clover

804



Oxford

805



Syreni Blue

806



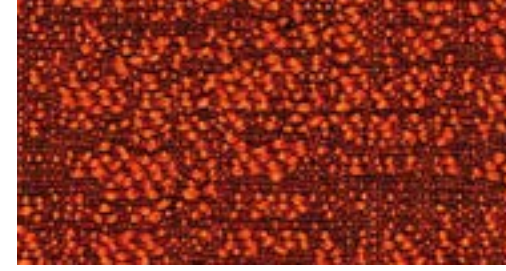
Obsedian

807



Garnet

808



Sandstone

809



Frost**

810



Rhino**

811



Sahara**

812



Yosemite**

813



Arctic**

814



Mint**

815

** New swatches

TEXTILE SWATCHES: FIBER 12 ECONYL



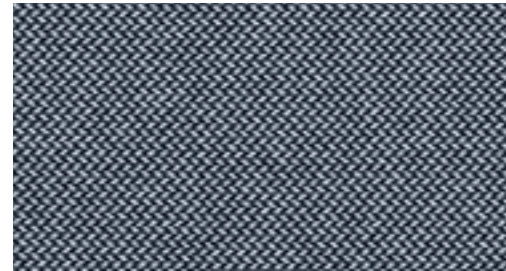
Viper**

1200



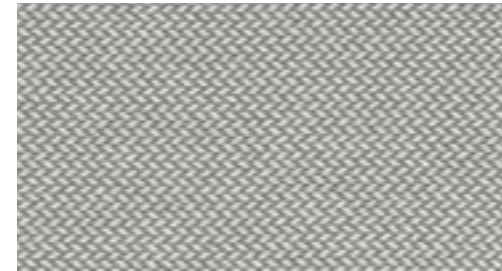
Berry**

1201



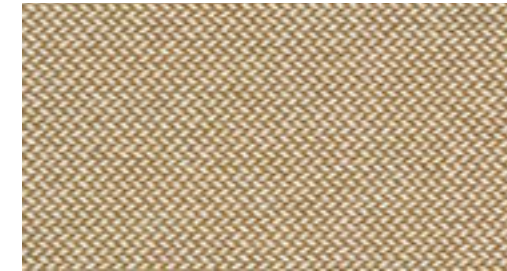
Chess**

1202



Igloo**

1203



Camel**

1204

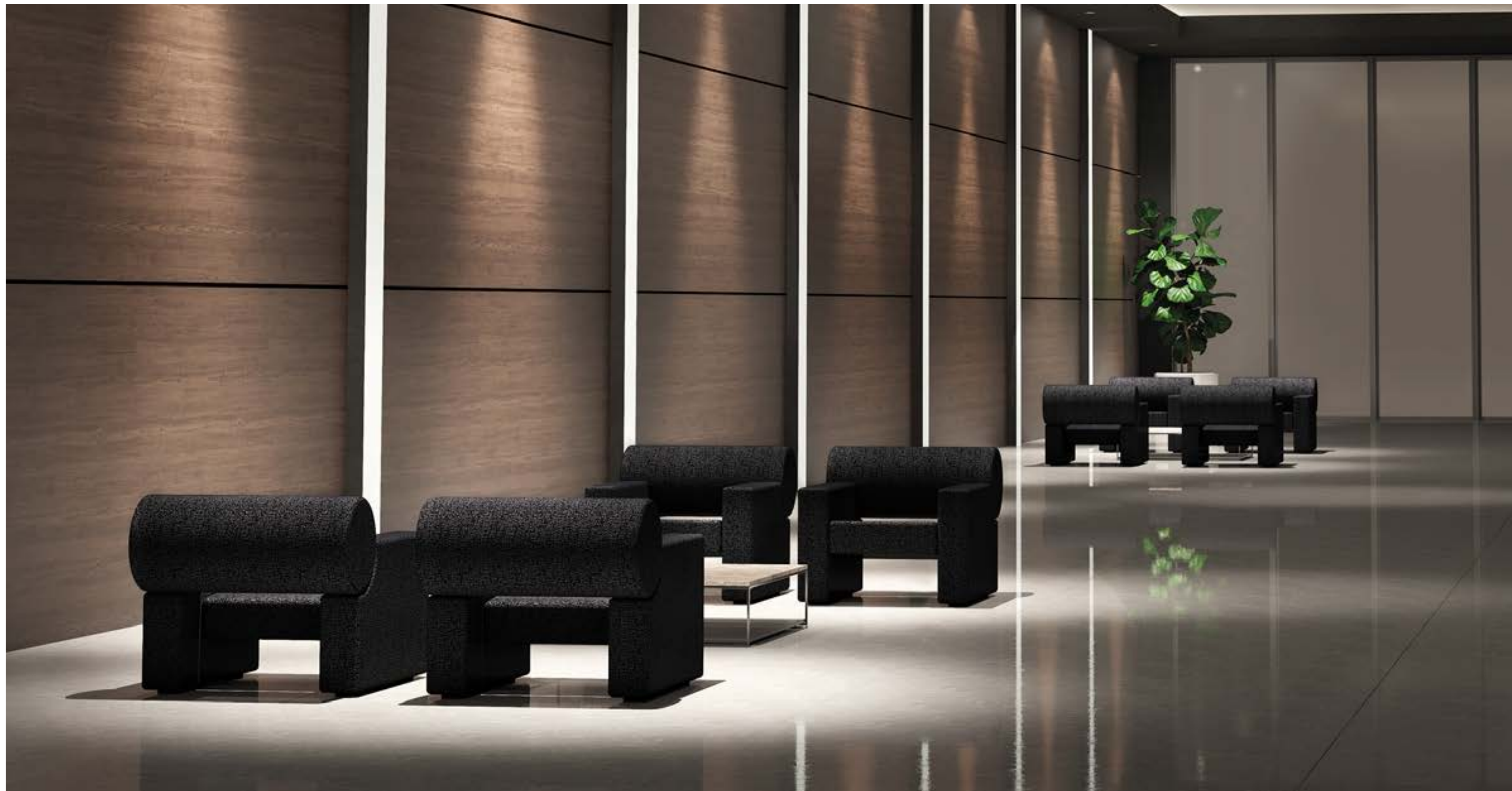


Ribbon**

1205

** New swatches

CILINDRO



CILINDRO

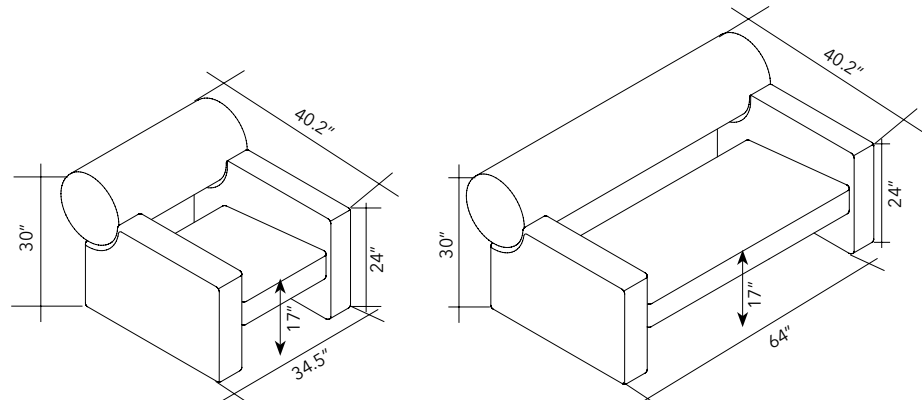
CILINDRO is a sound-absorbing sofa featuring a wooden structure and a cover composed of sound-absorbing technopolymer inner padding. The outer cover is available in Snowsound-Fiber 3 Melange or Snowsound-Fiber 8 Bouclè fabric.

Specs	Eco friendly – Greenguard Gold and Declare Label LBC Red List Free
	Class A sound absorption (ISO 354)
	Class A fire and smoke safety (UL 723/ASTM E84)
	CAL 133, 117 pass
	Patented Technology – Structure, Foam and Fabric
	BIFMA Certified X5.4-2020, Public and Lounge Seating
Design	Claudio Bellini



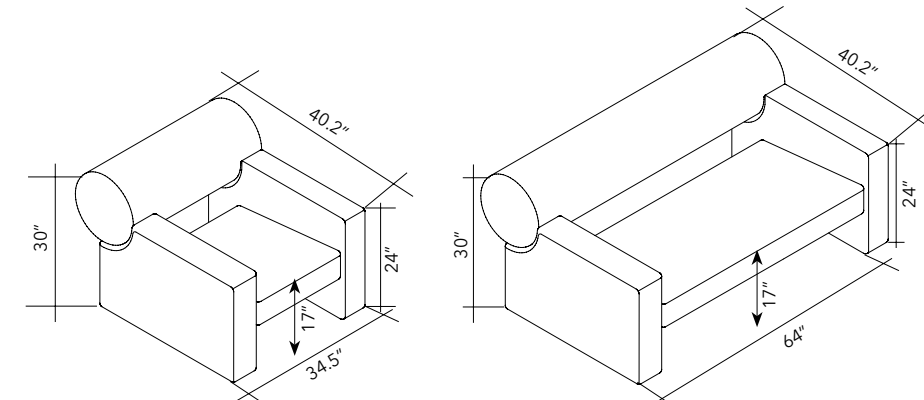
CILINDRO FIBER 3 MELANGE

Call your representative for stock levels and availability



Cilindro Armchair

Cilindro Sofa



Cilindro Armchair

Cilindro Sofa

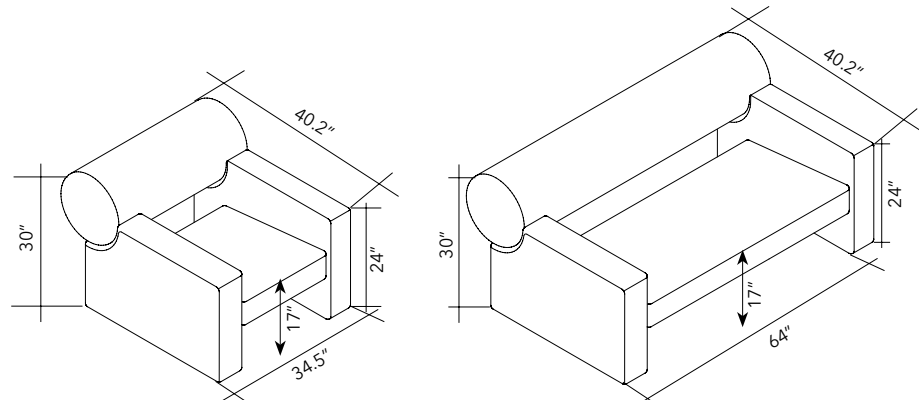
	Color	Part No	Part No
	Gray Ice	7DB1-F3-300	7DB2-F3-300
	Anthracite	7DB1-F3-302	7DB2-F3-302
	Gray Taupe	7DB1-F3-303	7DB2-F3-303
	Gray Beige	7DB1-F3-304	7DB2-F3-304
	Azure	7DB1-F3-305	7DB2-F3-305
	Gray Burgundy	7DB1-F3-306	7DB2-F3-306
	Gray Plum	7DB1-F3-307	7DB2-F3-307
	Gray Blue	7DB1-F3-308	7DB2-F3-308

	Color	Part No	Part No
	Gray Green	7DB1-F3-309	7DB2-F3-309
	Gray Gold	7DB1-F3-310	7DB2-F3-310
	Carbon Gray	7DB1-F3-311	7DB2-F3-311
	Patina	7DB1-F3-312	7DB2-F3-312
	Evergreen	7DB1-F3-313	7DB2-F3-313
	Admiral Blue	7DB1-F3-314	7DB2-F3-314
	Fiji	7DB1-F3-315	7DB2-F3-315
	Ivory	7DB1-F3-316	7DB2-F3-316

Note on lead time: Due to the custom-made nature of the following products, the lead time is 12 weeks (month of august excluded).

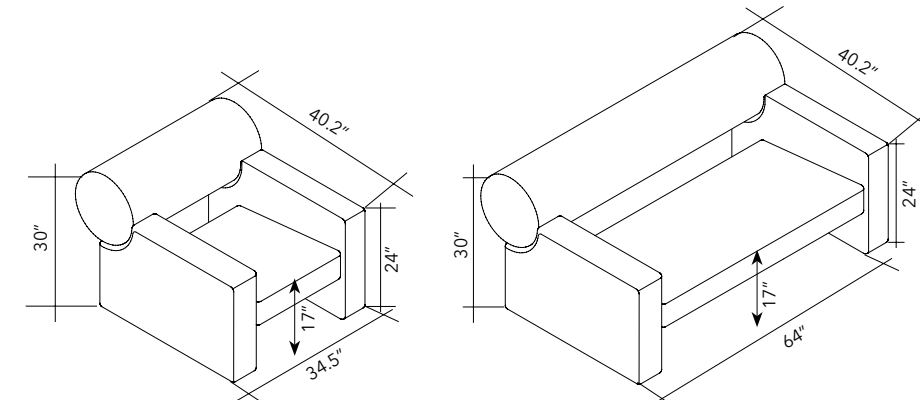
CILINDRO FIBER 8 BOUCLÈ

Call your representative for stock levels and availability













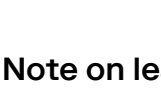
Cilindro Armchair









Cilindro Sofa



Cilindro Armchair

Cilindro Sofa

	Color	Part No	Part No
	Dove	7DB1-F8-800	7DB2-F8-800
	Coffee		
	Gray	7DB1-F8-801	7DB2-F8-801
	Ice		
	Gray	7DB1-F8-802	7DB2-F8-802
	Beige		
	Graphite	7DB1-F8-803	7DB2-F8-803
	Clover	7DB1-F8-804	7DB2-F8-804
	Oxford	7DB1-F8-805	7DB2-F8-805
	Syreni Blue	7DB1-F8-806	7DB2-F8-806
	Obsedian	7DB1-F8-807	7DB2-F8-807

	Color	Part No	Part No
	Garnet	7DB1-F8-808	7DB2-F8-808
	Sandstone	7DB1-F8-809	7DB2-F8-809
	Forst	7DB1-F8-810	7DB2-F8-810
	Rhino	7DB1-F8-811	7DB2-F8-811
	Sahara	7DB1-F8-812	7DB2-F8-812
	Yosemite	7DB1-F8-813	7DB2-F8-813
	Arctic	7DB1-F8-814	7DB2-F8-814
	Mint	7DB1-F8-815	7DB2-F8-815

Note on lead time: Due to the custom-made nature of the following products, the lead time is 12 weeks (month of august excluded).

NAPWORK



NAPWORK

NAPWORK is a sound-absorbing sofa featuring a wooden structure and a cover composed of sound-absorbing technopolymer inner padding. The outer cover is available in Snowsound-Fiber Textiles 3 Melange or Fiber 8 Bouclè fabric, and it is removable for easy cleaning.



SNOWSOUND

Specs	Eco friendly – Greenguard Gold and Declare Label LBC Red List Free
	Class A sound absorption (ISO 354)
	Class A fire and smoke safety (UL 723/ASTM E84)
	CAL 133, 117 pass
	Patented Technology – Structure, Foam and Fabric
	BIFMA Certified X5.4-2020, Public and Lounge Seating
	Removable outer upholstery cover
Design	Paola Navone – Otto Studio

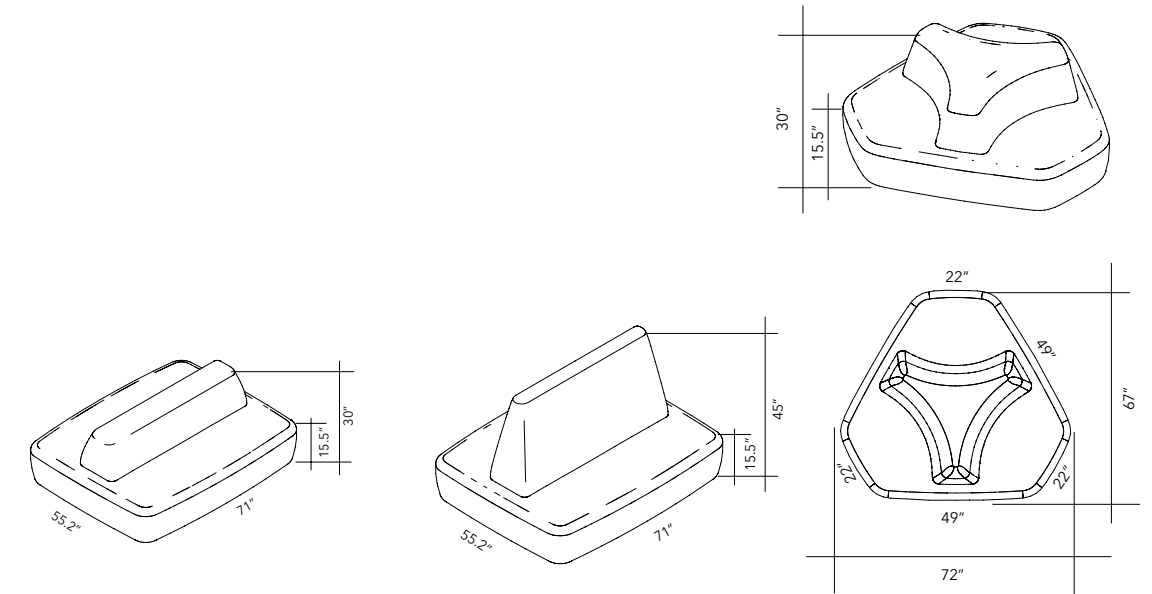
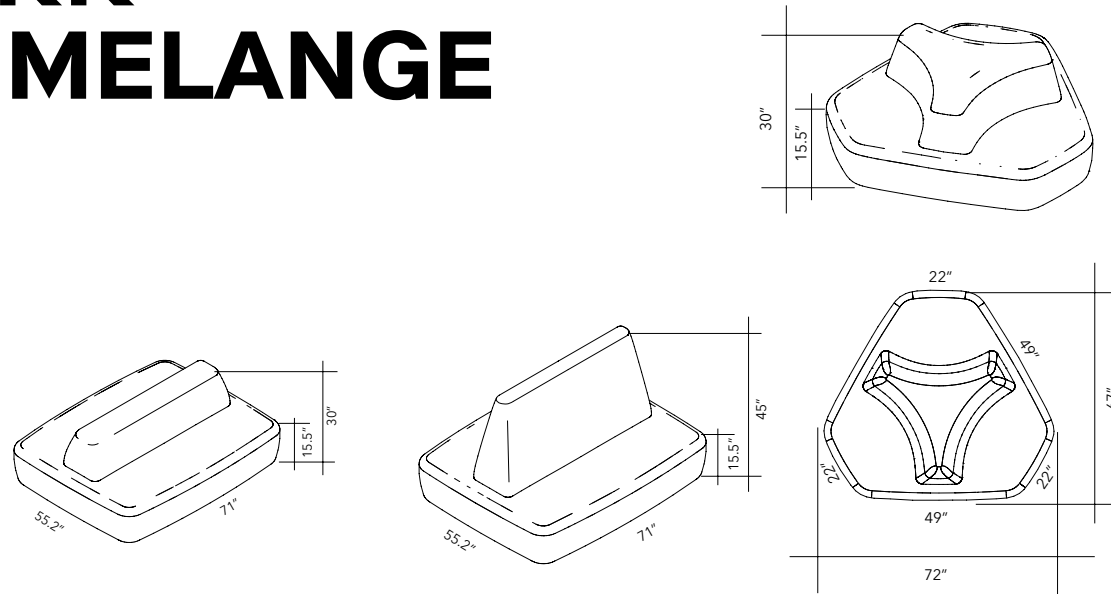


NAPWORK can be supplied with radio frequency reduction fabric. Please add 25% on soft-seating price.

See page 205 for more information.

NAPWORK FIBER 3 MELANGE

Call your representative for stock levels and availability



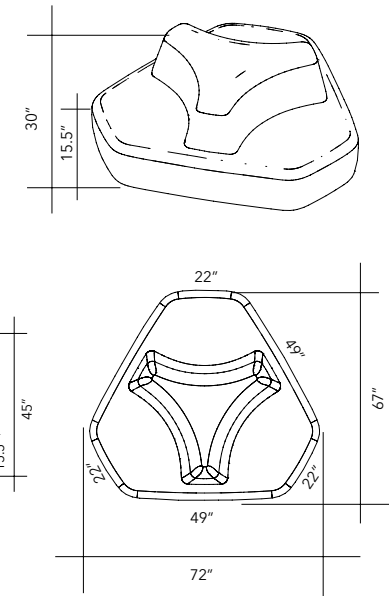
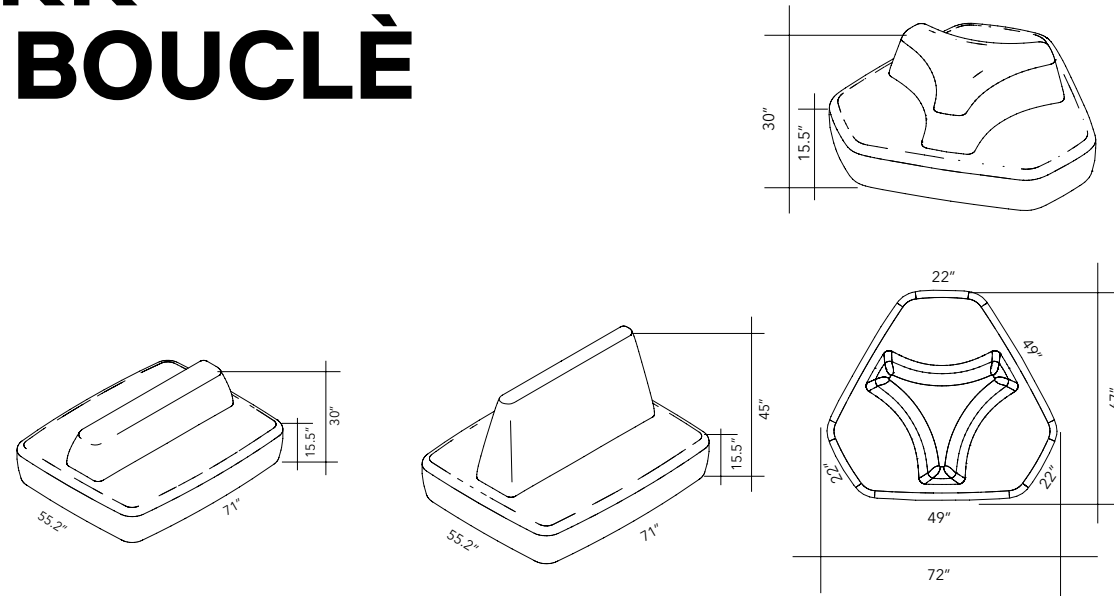
Color	Part No	Part No	Part No
Gray Ice	7DNO3-F3-300 \$15,400.00	7DNO2-F3-300 \$15,700.00	7DNO1-F3-300
Anthracite	7DNO3-F3-302	7DNO2-F3-302	7DNO1-F3-302
Gray Taupe	7DNO3-F3-303	7DNO2-F3-303	7DNO13-F3-303
Gray Beige	7DNO3-F3-304	7DNO2-F3-304	7DNO1-F3-304
Azure	7DNO3-F3-305	7DNO2-F3-305	7DNO1-F3-305
Gray Burgundy	7DNO3-F3-306	7DNO2-F3-306	7DNO1-F3-306
Gray Plum	7DNO3-F3-307	7DNO2-F3-307	7DNO1-F3-307
Gray Blue	7DNO3-F3-308	7DNO2-F3-308	7DNO1-F3-308

Color	Part No	Part No	Part No
Gray Green	7DNO3-F3-309	7DNO2-F3-309	7DNO1-F3-309
Gray Gold	7DNO3-F3-310	7DNO2-F3-310	7DNO1-F3-310
Carbon Gray	7DNO3-F3-311	7DNO2-F3-311	7DNO1-F3-311
Patina	7DNO3-F3-312	7DNO2-F3-312	7DNO1-F3-312
Evergreen	7DNO3-F3-313	7DNO2-F3-313	7DNO1-F3-313
Admiral Blue	7DNO3-F3-314	7DNO2-F3-314	7DNO1-F3-314
Fiji	7DNO3-F3-315	7DNO2-F3-315	7DNO1-F3-315
Ivory	7DNO3-F3-316	7DNO2-F3-316	7DNO1-F3-316

Note on lead time: Due to the custom-made nature of the following products, the lead time is 12 weeks (month of august excluded).

NAPWORK FIBER 8 BOUCLÈ

Call your representative for stock levels and availability

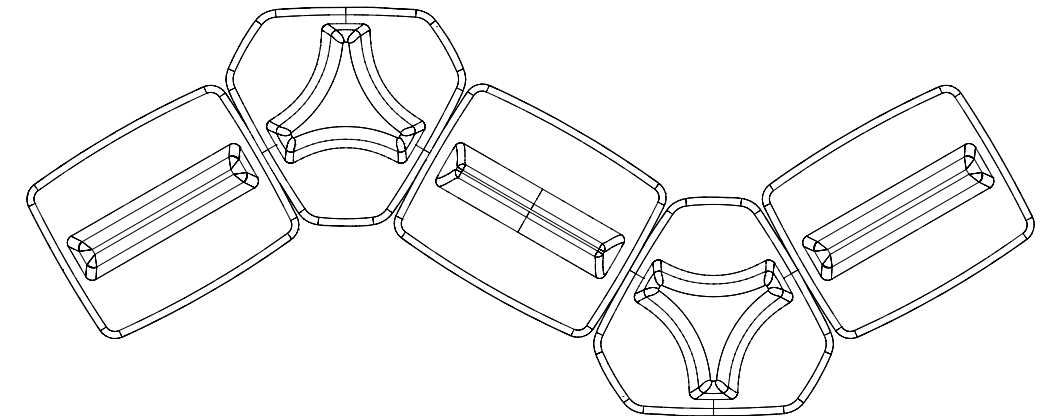
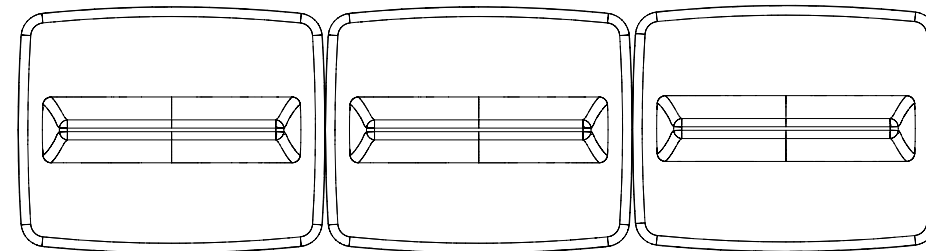
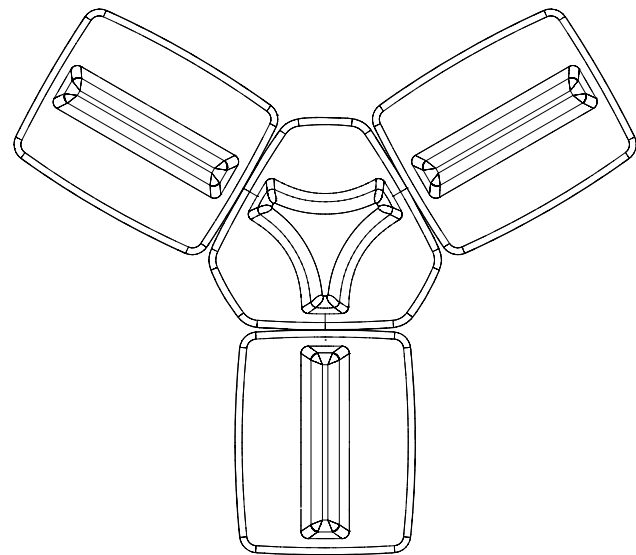
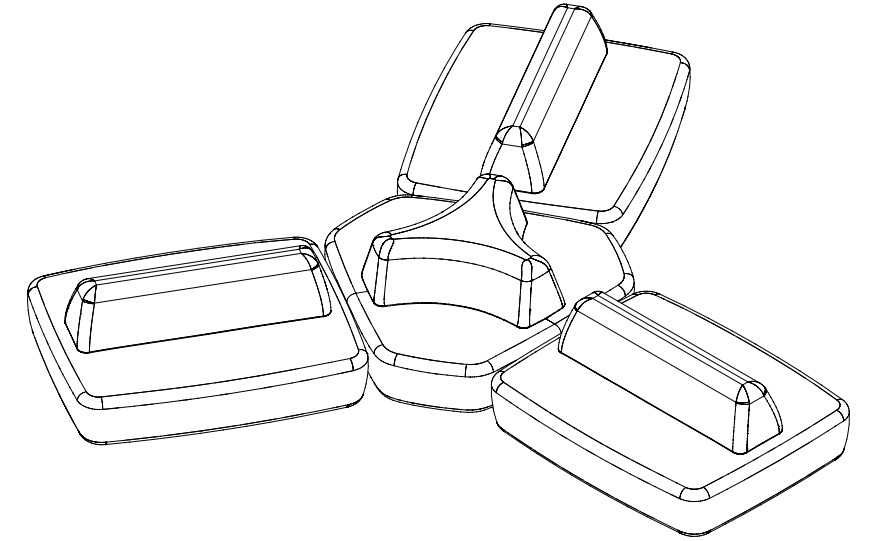
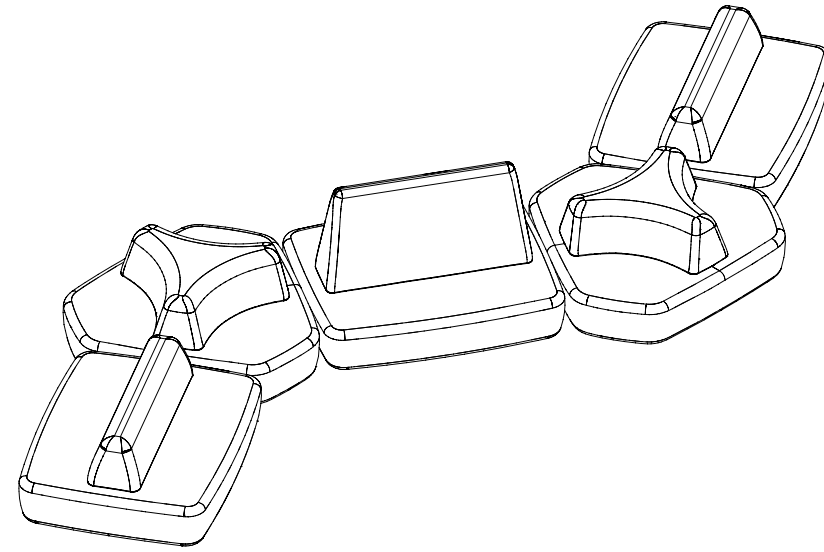
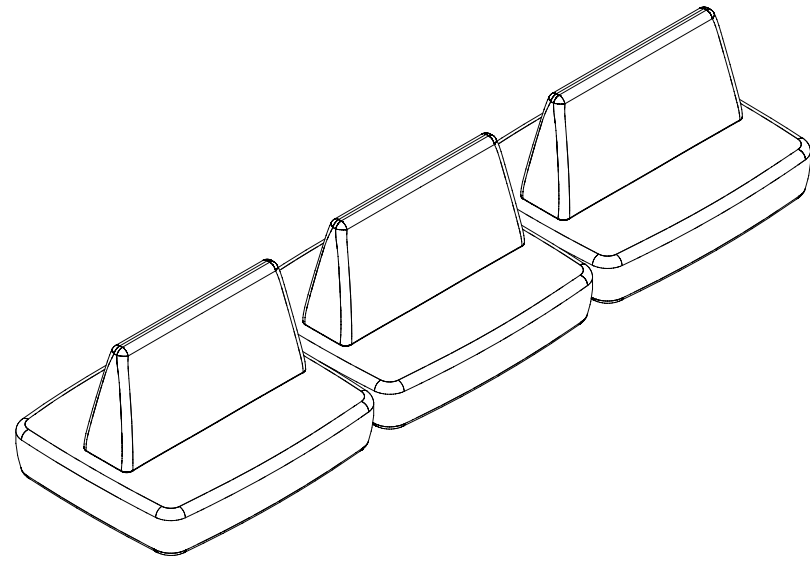


	Color	Part No	Part No	Part No
	Dove	7DNO3-F8-800	7DNO2-F8-800	7DNO1-F8-800
	Coffee			
	Gray	7DNO3-F8-801	7DNO2-F8-801	7DNO1-F8-801
	Ice			
	Gray Beige	7DNO3-F8-802	7DNO2-F8-802	7DNO1-F8-802
	Graphite			
		7DNO3-F8-803	7DNO2-F8-803	7DNO1-F8-803
	Clover			
		7DNO3-F8-804	7DNO2-F8-804	7DNO1-F8-804
	Oxford			
		7DNO3-F8-805	7DNO2-F8-805	7DNO1-F8-805
	Syreni			
	Blue	7DNO3-F8-806	7DNO2-F8-806	7DNO1-F8-806
	Obsedian			
		7DNO3-F8-807	7DNO2-F8-807	7DNO1-F8-807

	Color	Part No	Part No	Part No
	Garnet	7DNO3-F8-808	7DNO2-F8-808	7DNO1-F8-808
	Sandstone	7DNO3-F8-809	7DNO2-F8-809	7DNO1-F8-809
	Forst	7DNO3-F8-810	7DNO2-F8-810	7DNO1-F8-810
	Rhino	7DNO3-F8-811	7DNO2-F8-811	7DNO1-F8-811
	Sahara	7DNO3-F8-812	7DNO2-F8-812	7DNO1-F8-812
	Yosemite	7DNO3-F8-813	7DNO2-F8-813	7DNO1-F8-813
	Arctic	7DNO3-F8-814	7DNO2-F8-814	7DNO1-F8-814
	Mint	7DNO3-F8-815	7DNO2-F8-815	7DNO1-F8-815

Note on lead time: Due to the custom-made nature of the following products, the lead time is 12 weeks (month of august excluded).

NAPWORK TYPICALS



SNOWKING



SNOWKING



SNOWKING is a sound-absorbing sofa featuring a wooden structure and a cover composed of sound-absorbing technopolymer inner padding. The outer cover is available in Snowsound-Fiber 3 Melange or Snowsound-Fiber 6 Velvet fabric.

Specs	Eco friendly – Greenguard Gold and Declare Label LBC Red List Free
	Class A sound absorption (ISO 354)
	Class A fire and smoke safety (UL 723/ASTM E84)
	CAL 133, 117 pass
	Patented Technology – Structure, Foam and Fabric
	BIFMA Certified X5.4-2020, Public and Lounge Seating
Design	A+B Dominoni Quaquaro

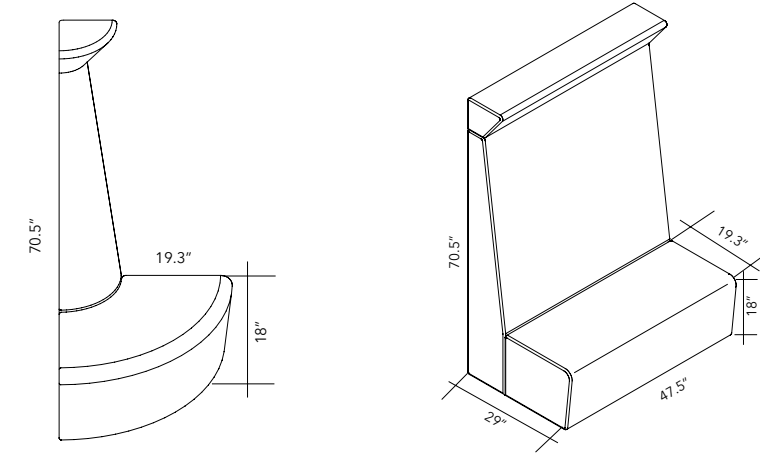
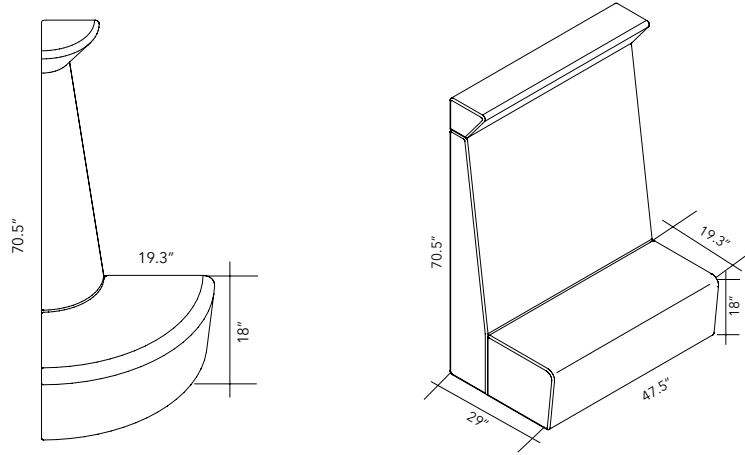










SNOWKING can be supplied with radio frequency reduction fabric. Please add 25% on soft-seating price.





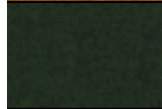


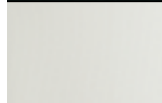
See page 205 for more information.

SNOWKING FIBER 3 MELANGE

Call your representative for stock levels and availability



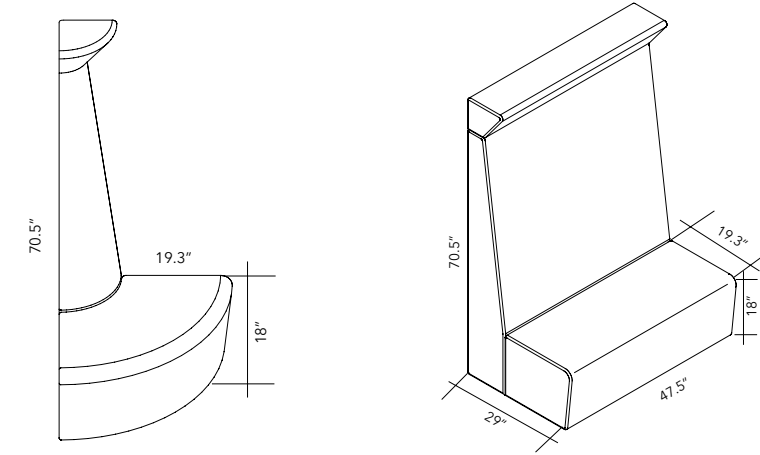
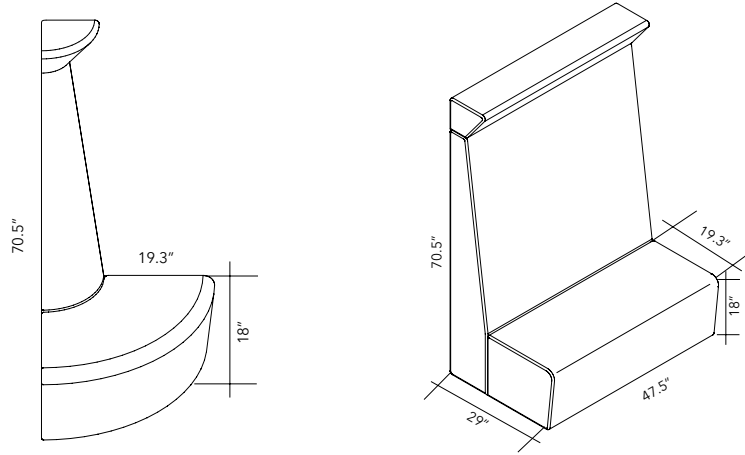
	Color	Part No	Part No
	Gray Ice	7DDQ1-F3-300	7DDQ2-F3-300
	Anthracite	7DDQ1-F3-302	7DDQ2-F3-302
	Gray Taupe	7DDQ1-F3-303	7DDQ2-F3-303
	Gray Beige	7DDQ1-F3-304	7DDQ2-F3-304
	Azure	7DDQ1-F3-305	7DDQ2-F3-305
	Gray Burgundy	7DDQ1-F3-306	7DDQ2-F3-306
	Gray Plum	7DDQ1-F3-307	7DDQ2-F3-307
	Gray Blue	7DDQ1-F3-308	7DDQ2-F3-308



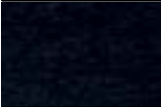

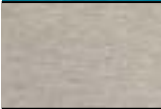



	Color	Part No	Part No
	Gray Green	7DDQ1-F3-309	7DDQ2-F3-309
	Gray Gold	7DDQ1-F3-310	7DDQ2-F3-310
	Carbon Gray	7DDQ1-F3-311	7DDQ2-F3-311
	Patina	7DDQ1-F3-312	7DDQ2-F3-312
	Evergreen	7DDQ1-F3-313	7DDQ2-F3-313
	Admiral Blue	7DDQ1-F3-314	7DDQ2-F3-314
	Fiji	7DDQ1-F3-315	7DDQ2-F3-315
	Ivory	7DDQ1-F3-316	7DDQ2-F3-316





Note on lead time: Due to the custom-made nature of the following products, the lead time is 12 weeks (month of august excluded).

SNOWKING FIBER 6 VELVET

Call your representative for stock levels and availability

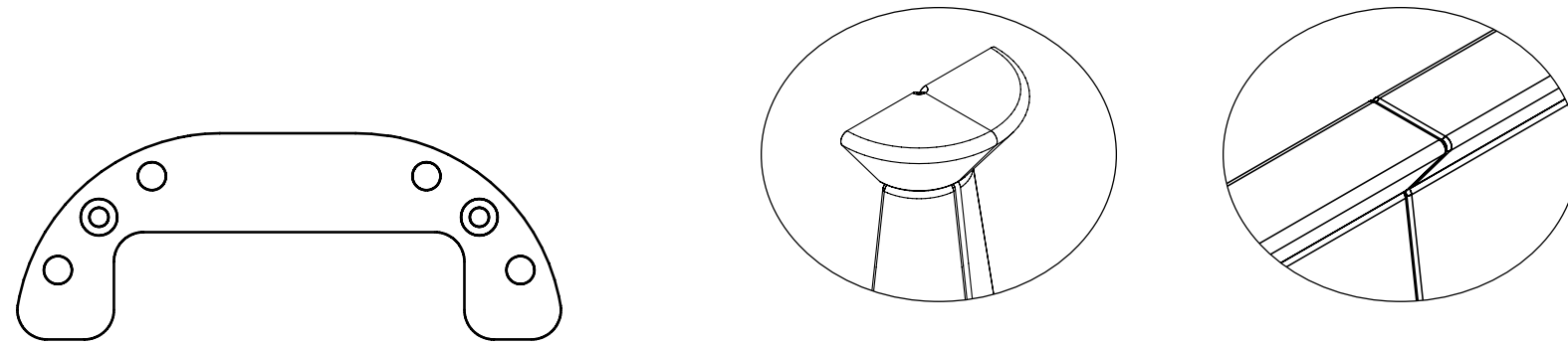


	Color	Part No	Part No
	Red	7DDQ1-F6-600	7DDQ2-F6-600
	Coffee Brown	7DDQ1-F6-601	7DDQ2-F6-601
	Black	7DDQ1-F6-602	7DDQ2-F6-602
	Teal	7DDQ1-F6-603	7DDQ2-F6-603
	Beige	7DDQ1-F6-604	7DDQ2-F6-604
	Cream	7DDQ1-F6-605	7DDQ2-F6-605
	Powder Pink	7DDQ1-F6-606	7DDQ2-F6-606
	Medium Gray	7DDQ1-F6-607	7DDQ2-F6-607

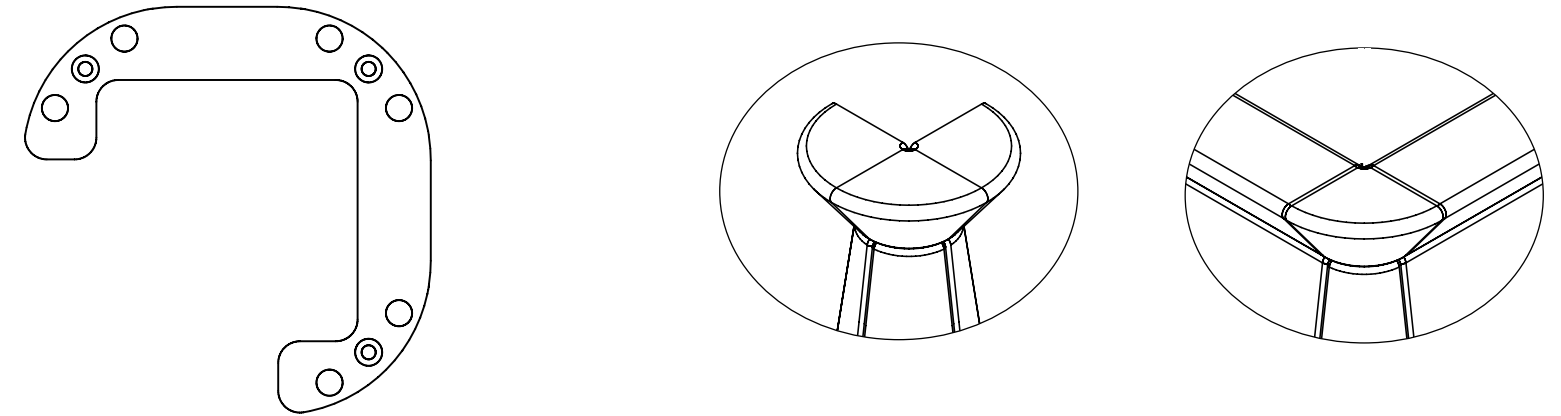
	Color	Part No	Part No
	Forest Green	7DDQ1-F6-608	7DDQ2-F6-608
	Powder Blue	7DDQ1-F6-609	7DDQ2-F6-608
	Mustard Gold	7DDQ1-F6-610	7DDQ2-F6-608
	Navy Blue	7DDQ1-F6-611	7DDQ2-F6-608

Note on lead time: Due to the custom-made nature of the following products, the lead time is 12 weeks (month of august excluded).

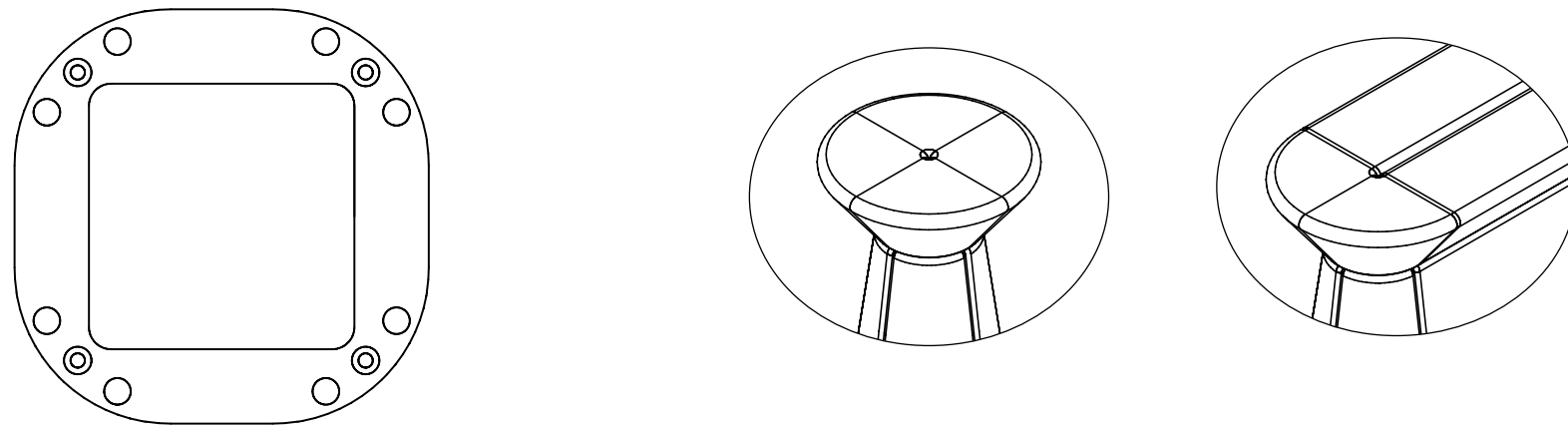
SNOWKING CONNECTING PLATES



Connections	Connects 2 Snowking sofas
Sofa size	Both sizes
Part No	7DDQP2
QTY	01
Finish	Powder-coated steel



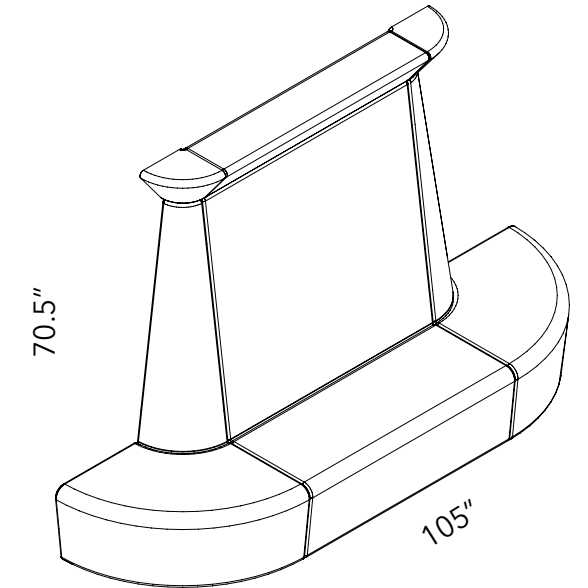
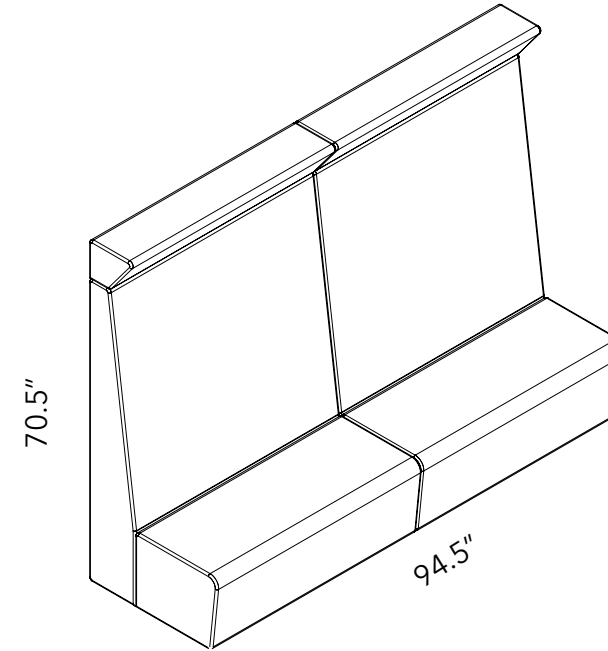
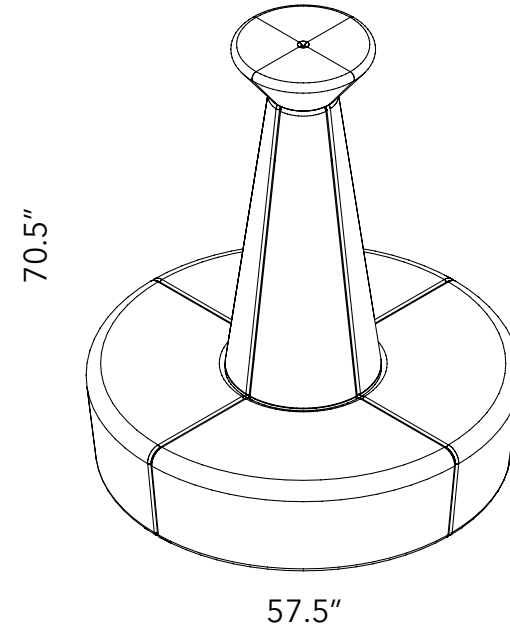
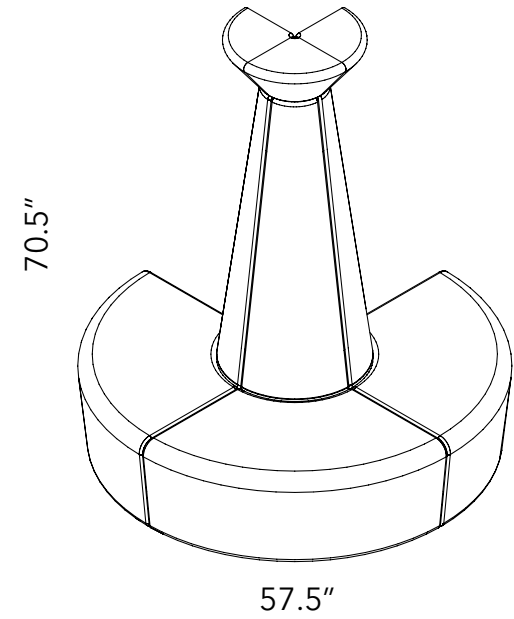
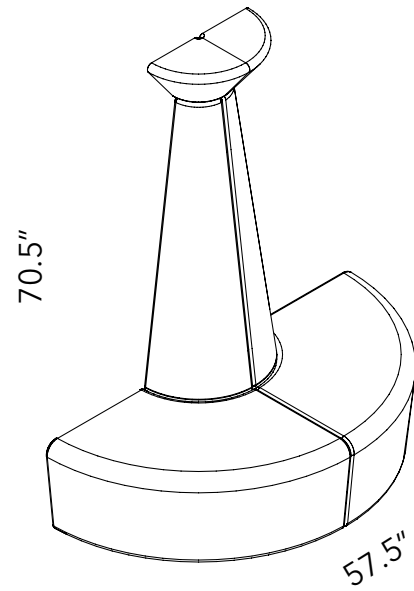
Connections	Connects 3 Snowking sofas
Sofa size	Both sizes
Part No	7DDQP3
QTY	01
Finish	Powder-coated steel



Connections	Connects 2 Snowking sofas
Sofa size	Both sizes
Part No	7DDQP4
QTY	01
Finish	Powder-coated steel



SNOWKING TYPICALS



Items No. 7DDQ1-F3: 2 pcs
7DDQP2: 1 pc

7DDQ1-F3: 3 pcs
7DDQP3: 1 pc

7DDQ1-F3: 4 pcs
7DDQP4: 1 pc

7DDQ2-F3: 2 pcs
7DDQP2: 1 pcs

7DDQ1-F3: 2 pcs
7DDQ2-F3: 1 pc
7DDQP2: 2 pcs

Items No. 7DDQ1-F6: 2 pcs
7DDQP2: 1 pc

7DDQ1-F6: 3 pcs
7DDQP3: 1 pc

7DDQ1-F6: 4 pcs
7DDQP4: 1 pc

7DDQ2-F6: 2 pcs
7DDQP2: 1 pc

7DDQ1-F6: 2 pcs
7DDQ2-F6: 1 pc
7DDQP2: 2 pcs

VOLUMI



VOLUMI



SNOWSOUND

VOLUMI is a sound-absorbing sofa featuring a wooden structure and a cover composed of sound-absorbing technopolymer inner padding. The outer cover is available in Snowsound-Fiber 3 Melange or Snowsound-Fiber 8 Bouclè fabric, and it is removable for easy maintenance.

Specs	Eco friendly – Greenguard Gold and Declare Label LBC Red List Free
	Class A sound absorption (ISO 354)
	Class A fire and smoke safety (UL 723/ASTM E84)
	CAL 133, 117 pass
	Patented Technology – Structure, Foam and Fabric
	BIFMA Certified X5.4-2020, Public and Lounge Seating
	Removable outer upholstery cover
Design	Snowsound Lab

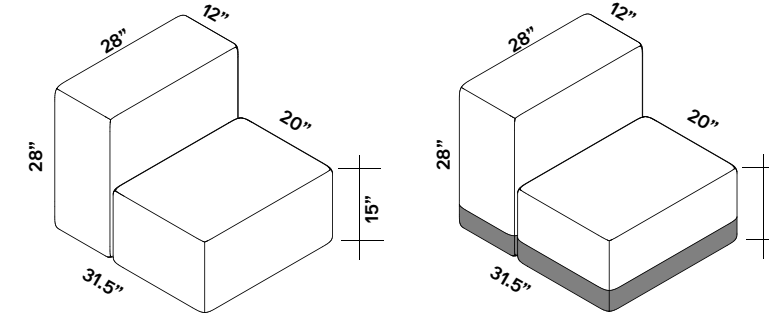
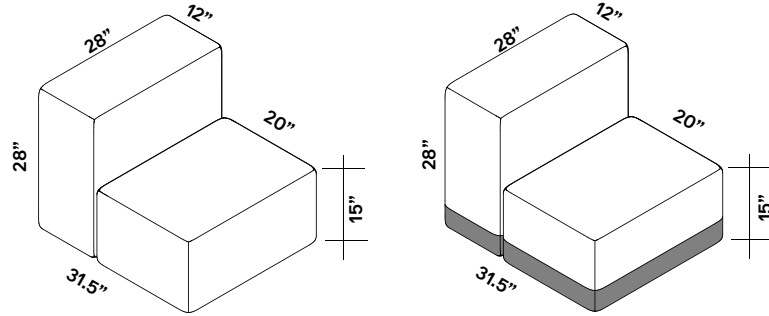


VOLUMI can be supplied with radio frequency reduction fabric. Please add 25% on soft-seating price.

See page 403 for more information.

VOLUMI SMALL SOFA FIBER 3 MELANGE

Call your representative for stock levels and availability



Color	Part No	Part No
Gray Ice	7DCL9-F3-300	7DCL9A-F3-300
Anthracite	7DCL9-F3-302	7DCL9A-F3-302
Gray Taupe	7DCL9-F3-303	7DCL9A-F3-303
Gray Beige	7DCL9-F3-304	7DCL9A-F3-304
Azure	7DCL9-F3-305	7DCL9A-F3-305
Gray Burgundy	7DCL9-F3-306	7DCL9A-F3-306
Gray Plum	7DCL9-F3-307	7DCL9A-F3-307
Gray Blue	7DCL9-F3-308	7DCL9A-F3-308

Anthracite color fabric skirting board included on bottom

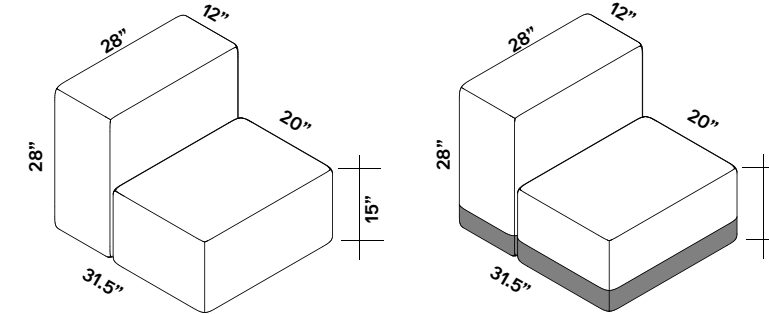
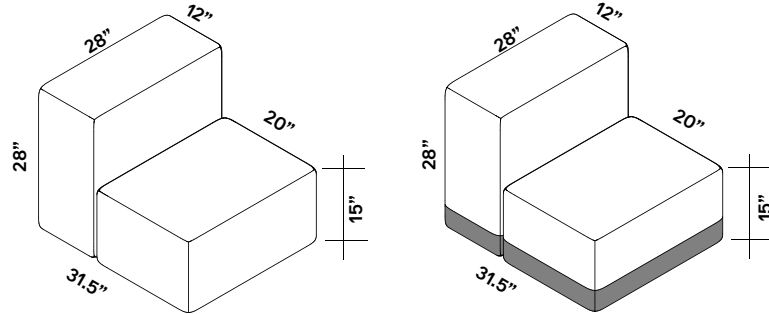
Color	Part No	Part No
Gray Green	7DCL9-F3-309	7DCL9A-F3-309
Gray Gold	7DCL9-F3-310	7DCL9A-F3-310
Carbon Gray	7DCL9-F3-311	7DCL9A-F3-311
Patina	7DCL9-F3-312	7DCL9A-F3-312
Evergreen	7DCL9-F3-313	7DCL9A-F3-313
Admiral Blue	7DCL9-F3-314	7DCL9A-F3-314
Fiji	7DCL9-F3-315	7DCL9A-F3-315
Ivory	7DCL9-F3-316	7DCL9A-F3-316

Anthracite color fabric skirting board included on bottom

Note on lead time: Due to the custom-made nature of the following products, the lead time is 12 weeks (month of august excluded).

VOLUMI SMALL SOFA FIBER 8 BOUCLÉ

Call your representative for stock levels and availability



Color	Part No	Part No
Dove Coffee	7DCL9-F8-800	7DCL9A-F8-800
Gray Ice	7DCL9-F8-801	7DCL9A-F8-801
Gray Beige	7DCL9-F8-802	7DCL9A-F8-802
Graphite	7DCL9-F8-803	7DCL9A-F8-803
Clover	7DCL9-F8-804	7DCL9A-F8-804
Oxford	7DCL9-F8-805	7DCL9A-F8-805
Syreni Blue	7DCL9-F8-806	7DCL9A-F8-806
Obsedian	7DCL9-F8-807	7DCL9A-F8-807

Anthracite color fabric skirting board included on bottom

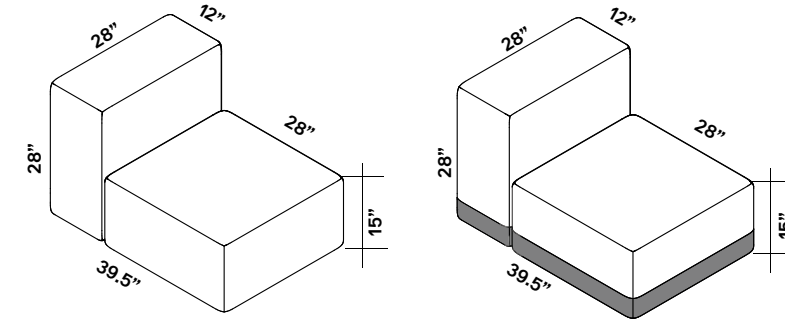
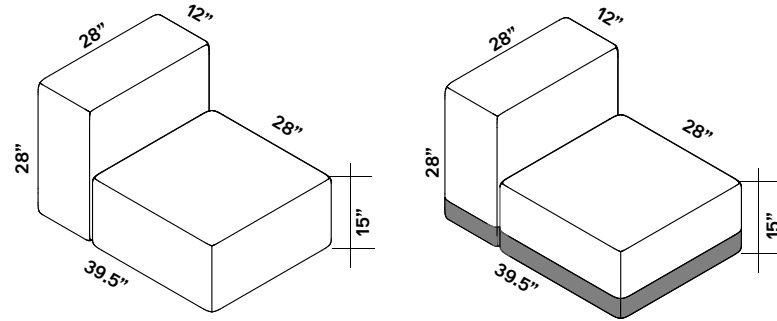
Color	Part No	Part No
Garnet	7DCL9-F8-808	7DCL9A-F8-808
Sandstone	7DCL9-F8-809	7DCL9A-F8-809
Forst	7DCL9-F8-810	7DCL9A-F8-810
Rhino	7DCL9-F8-811	7DCL9A-F8-811
Sahara	7DCL9-F8-812	7DCL9A-F8-812
Yosemite	7DCL9-F8-813	7DCL9A-F8-813
Arctic	7DCL9-F8-814	7DCL9A-F8-814
Mint	7DCL9-F8-815	7DCL9A-F8-815

Anthracite color fabric skirting board included on bottom

Note on lead time: Due to the custom-made nature of the following products, the lead time is 12 weeks (month of august excluded).

VOLUMI SMALL SOFA DEEP FIBER 3 MELANGE

Call your representative for stock levels and availability



Color	Part No	Part No
Gray Ice	7DCL1-F3-300	7DCL1A-F3-300
Anthracite	7DCL1-F3-302	7DCL1A-F3-302
Gray Taupe	7DCL1-F3-303	7DCL1A-F3-303
Gray Beige	7DCL1-F3-304	7DCL1A-F3-304
Azure	7DCL1-F3-305	7DCL1A-F3-305
Gray Burgundy	7DCL1-F3-306	7DCL1A-F3-306
Gray Plum	7DCL1-F3-307	7DCL1A-F3-307
Gray Blue	7DCL1-F3-308	7DCL1A-F3-308

Anthracite color fabric skirting board included on bottom

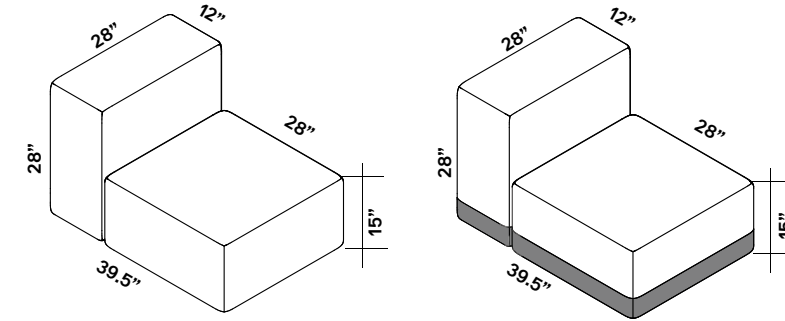
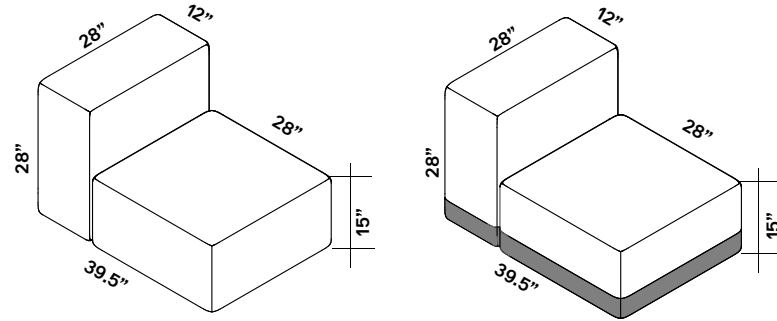
Color	Part No	Part No
Gray Green	7DCL1-F3-309	7DCL1A-F3-309
Gray Gold	7DCL1-F3-310	7DCL1A-F3-310
Carbon Gray	7DCL1-F3-311	7DCL1A-F3-311
Patina	7DCL1-F3-312	7DCL1A-F3-312
Evergreen	7DCL1-F3-313	7DCL1A-F3-313
Admiral Blue	7DCL1-F3-314	7DCL1A-F3-314
Fiji	7DCL1-F3-315	7DCL1A-F3-315
Ivory	7DCL1-F3-316	7DCL1A-F3-316

Anthracite color fabric skirting board included on bottom

Note on lead time: Due to the custom-made nature of the following products, the lead time is 12 weeks (month of august excluded).

VOLUMI SMALL SOFA DEEP FIBER 8 BOUCLÉ

Call your representative for stock levels and availability



Color	Part No	Part No
Dove Coffee	7DCL1-F8-800	7DCL1A-F8-800
Gray Ice	7DCL1-F8-801	7DCL1A-F8-801
Gray Beige	7DCL1-F8-802	7DCL1A-F8-802
Graphite	7DCL1-F8-803	7DCL1A-F8-803
Clover	7DCL1-F8-804	7DCL1A-F8-804
Oxford	7DCL1-F8-805	7DCL1A-F8-805
Syreni Blue	7DCL1-F8-806	7DCL1A-F8-806
Obsedian	7DCL1-F8-807	7DCL1A-F8-807

Anthracite color fabric skirting
board included on bottom

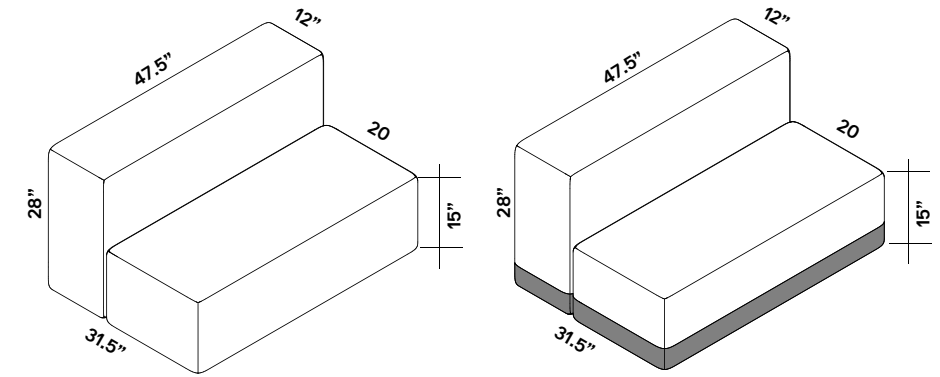
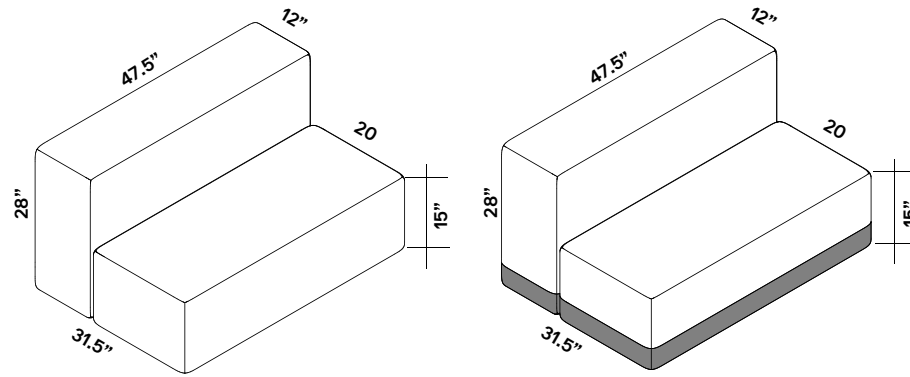
Color	Part No	Part No
Garnet	7DCL1-F8-808	7DCL1A-F8-808
Sandstone	7DCL1-F8-809	7DCL1A-F8-809
Forst	7DCL1-F8-810	7DCL1A-F8-810
Rhino	7DCL1-F8-811	7DCL1A-F8-811
Sahara	7DCL1-F8-812	7DCL1A-F8-812
Yosemite	7DCL1-F8-813	7DCL1A-F8-813
Arctic	7DCL1-F8-814	7DCL1A-F8-814
Mint	7DCL1-F8-815	7DCL1A-F8-815

Anthracite color fabric skirting
board included on bottom

Note on lead time: Due to the custom-made nature of the following products, the lead time is 12 weeks (month of august excluded).

VOLUMI MEDIUM SOFA FIBER 3 MELANGE

Call your representative for stock levels and availability



Color	Part No	Part No
Gray Ice	7DCL10-F3-300	7DCL10A-F3-300
Anthracite	7DCL10-F3-302	7DCL10A-F3-302
Gray Taupe	7DCL10-F3-303	7DCL10A-F3-303
Gray Beige	7DCL10-F3-304	7DCL10A-F3-304
Azure	7DCL10-F3-305	7DCL10A-F3-305
Gray Burgundy	7DCL10-F3-306	7DCL10A-F3-306
Gray Plum	7DCL10-F3-307	7DCL10A-F3-307
Gray Blue	7DCL10-F3-308	7DCL10A-F3-308

Anthracite color fabric skirting board included on bottom

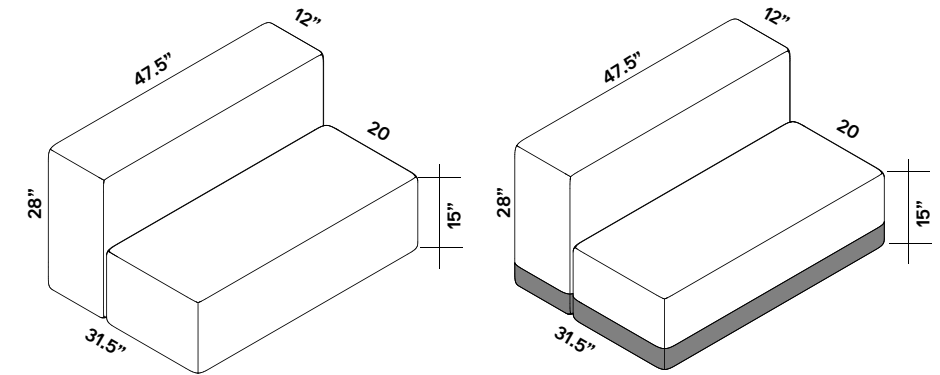
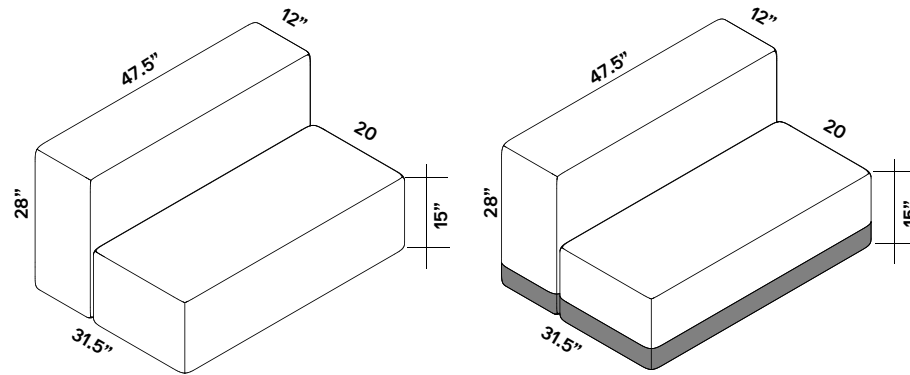
Color	Part No	Part No
Gray Green	7DCL10-F3-309	7DCL10A-F3-309
Gray Gold	7DCL10-F3-310	7DCL10A-F3-310
Carbon Gray	7DCL10-F3-311	7DCL10A-F3-311
Patina	7DCL10-F3-312	7DCL10A-F3-312
Evergreen	7DCL10-F3-313	7DCL10A-F3-313
Admiral Blue	7DCL10-F3-314	7DCL10A-F3-314
Fiji	7DCL10-F3-315	7DCL10A-F3-315
Ivory	7DCL10-F3-316	7DCL10A-F3-316








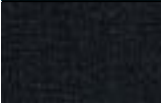


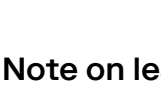

Anthracite color fabric skirting board included on bottom

Note on lead time: Due to the custom-made nature of the following products, the lead time is 12 weeks (month of august excluded).









VOLUMI MEDIUM SOFA FIBER 8 BOUCLÈ

Call your representative for stock levels and availability



	Color	Part No	Part No
	Dove	7DCL10-F8-800	7DCL10A-F8-800
	Coffee		
	Gray	7DCL10-F8-801	7DCL10A-F8-801
	Ice		
	Gray	7DCL10-F8-802	7DCL10A-F8-802
	Beige		
	Graphite	7DCL10-F8-803	7DCL10A-F8-803
	Clover	7DCL10-F8-804	7DCL10A-F8-804
	Oxford	7DCL10-F8-805	7DCL10A-F8-805
	Syreni	7DCL10-F8-806	7DCL10A-F8-806
	Blue		
	Obsedian	7DCL10-F8-807	7DCL10A-F8-807

Anthracite color fabric skirting board included on bottom

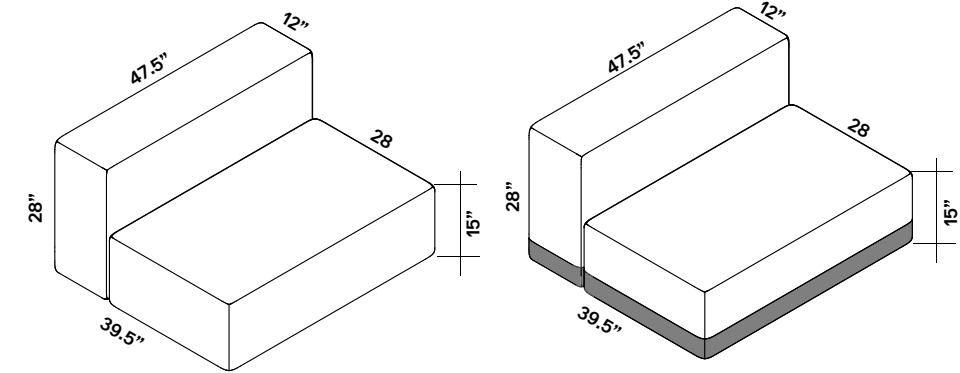
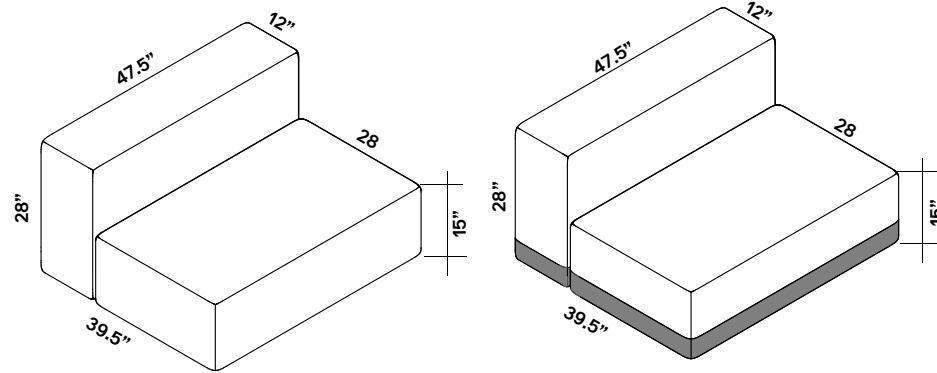
	Color	Part No	Part No
	Garnet	7DCL10-F8-808	7DCL10A-F8-808
	Sandstone	7DCL10-F8-809	7DCL10A-F8-809
	Forst	7DCL10-F8-810	7DCL10A-F8-810
	Rhino	7DCL10-F8-811	7DCL10A-F8-811
	Sahara	7DCL10-F8-812	7DCL10A-F8-812
	Yosemite	7DCL10-F8-813	7DCL10A-F8-813
	Arctic	7DCL10-F8-814	7DCL10A-F8-814
	Mint	7DCL10-F8-815	7DCL10A-F8-815

Anthracite color fabric skirting board included on bottom

Note on lead time: Due to the custom-made nature of the following products, the lead time is 12 weeks (month of august excluded).

VOLUMI MEDIUM SOFA DEEP FIBER 3 MELANGE

Call your representative for stock levels and availability



Color	Part No	Part No
Gray Ice	7DCL2-F3-300	7DCL2A-F3-300
Anthracite	7DCL2-F3-302	7DCL2A-F3-302
Gray Taupe	7DCL2-F3-303	7DCL2A-F3-303
Gray Beige	7DCL2-F3-304	7DCL2A-F3-304
Azure	7DCL2-F3-305	7DCL2A-F3-305
Gray Burgundy	7DCL2-F3-306	7DCL2A-F3-306
Gray Plum	7DCL2-F3-307	7DCL2A-F3-307
Gray Blue	7DCL2-F3-308	7DCL2A-F3-308

Anthracite color fabric skirting board included on bottom

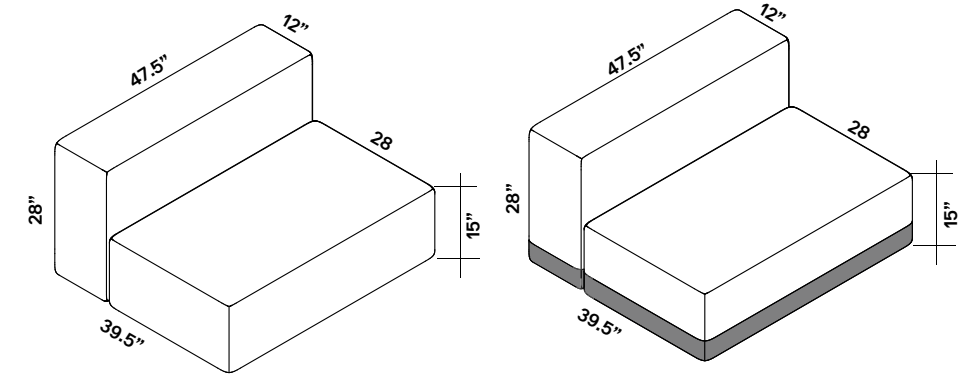
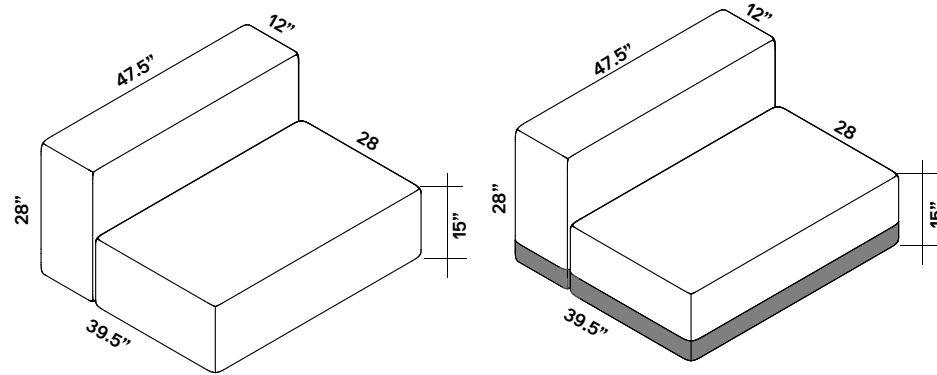
Color	Part No	Part No
Gray Green	7DCL2-F3-309	7DCL2A-F3-309
Gray Gold	7DCL2-F3-310	7DCL2A-F3-310
Carbon Gray	7DCL2-F3-311	7DCL2A-F3-311
Patina	7DCL2-F3-312	7DCL2A-F3-312
Evergreen	7DCL2-F3-313	7DCL2A-F3-313
Admiral Blue	7DCL2-F3-314	7DCL2A-F3-314
Fiji	7DCL2-F3-315	7DCL2A-F3-315
Ivory	7DCL2-F3-316	7DCL2A-F3-316

Anthracite color fabric skirting board included on bottom

Note on lead time: Due to the custom-made nature of the following products, the lead time is 12 weeks (month of august excluded).

VOLUMI MEDIUM SOFA DEEP FIBER 8 BOUCLÈ

Call your representative for stock levels and availability



Color	Part No	Part No
Dove Coffee	7DCL2-F8-800	7DCL2A-F8-800
Gray Ice	7DCL2-F8-801	7DCL2A-F8-801
Gray Beige	7DCL2-F8-802	7DCL2A-F8-802
Graphite	7DCL2-F8-803	7DCL2A-F8-803
Clover	7DCL2-F8-804	7DCL2A-F8-804
Oxford	7DCL2-F8-805	7DCL2A-F8-805
Syreni Blue	7DCL2-F8-806	7DCL2A-F8-806
Obsedian	7DCL2-F8-807	7DCL2A-F8-807

Anthracite color fabric skirting board included on bottom

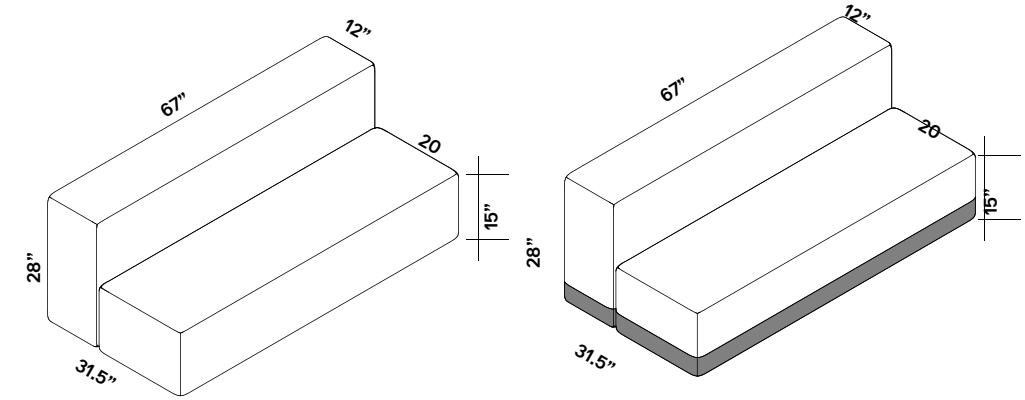
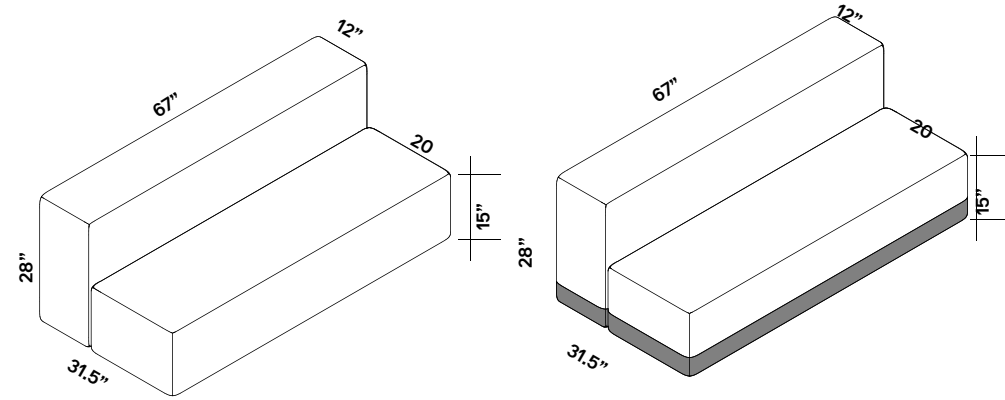
Color	Part No	Part No
Garnet	7DCL2-F8-808	7DCL2A-F8-808
Sandstone	7DCL2-F8-809	7DCL2A-F8-809
Forst	7DCL2-F8-810	7DCL2A-F8-810
Rhino	7DCL2-F8-811	7DCL2A-F8-811
Sahara	7DCL2-F8-812	7DCL2A-F8-812
Yosemite	7DCL2-F8-813	7DCL2A-F8-813
Arctic	7DCL2-F8-814	7DCL2A-F8-814
Mint	7DCL2-F8-815	7DCL2A-F8-815

Anthracite color fabric skirting board included on bottom

Note on lead time: Due to the custom-made nature of the following products, the lead time is 12 weeks (month of august excluded).

VOLUMI LARGE SOFA FIBER 3 MELANGE

Call your representative for stock levels and availability



Color	Part No	Part No
Gray Ice	7DCL11-F3-300	7DCL11A-F3-300
Anthracite	7DCL11-F3-302	7DCL11A-F3-302
Gray Taupe	7DCL11-F3-303	7DCL11A-F3-303
Gray Beige	7DCL11-F3-304	7DCL11A-F3-304
Azure	7DCL11-F3-305	7DCL11A-F3-305
Gray Burgundy	7DCL11-F3-306	7DCL11A-F3-306
Gray Plum	7DCL11-F3-307	7DCL11A-F3-307
Gray Blue	7DCL11-F3-308	7DCL11A-F3-308

Anthracite color fabric skirting board included on bottom

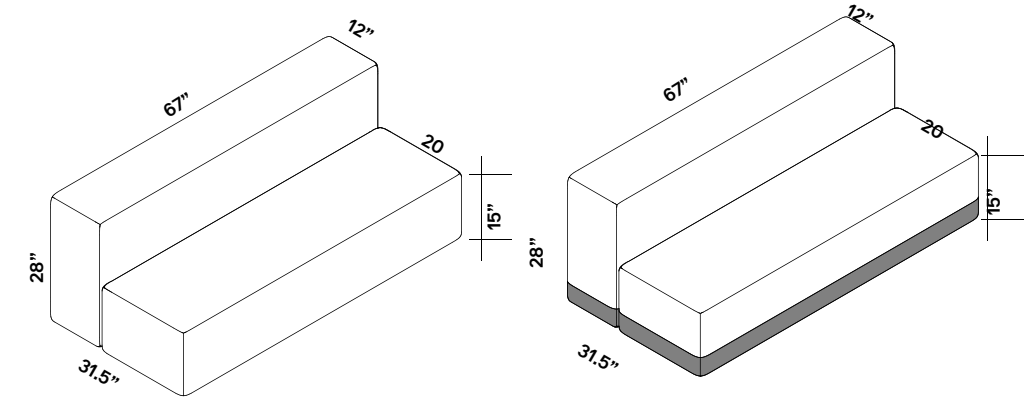
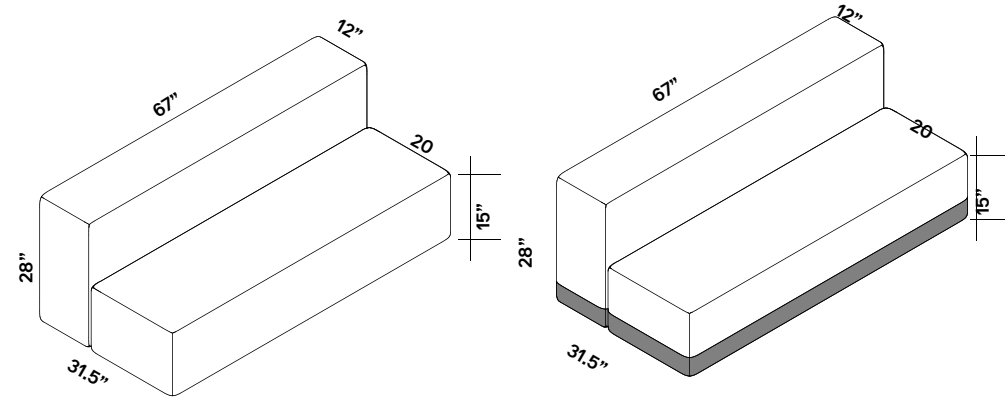
Color	Part No	Part No
Gray Green	7DCL11-F3-309	7DCL11A-F3-309
Gray Gold	7DCL11-F3-310	7DCL11A-F3-310
Carbon Gray	7DCL11-F3-311	7DCL11A-F3-311
Patina	7DCL11-F3-312	7DCL11A-F3-312
Evergreen	7DCL11-F3-313	7DCL11A-F3-313
Admiral Blue	7DCL11-F3-314	7DCL11A-F3-314
Fiji	7DCL11-F3-315	7DCL11A-F3-315
Ivory	7DCL11-F3-316	7DCL11A-F3-316









Anthracite color fabric skirting board included on bottom

Note on lead time: Due to the custom-made nature of the following products, the lead time is 12 weeks (month of august excluded).









VOLUMI LARGE SOFA FIBER 8 BOUCLÈ

Call your representative for stock levels and availability



	Color	Part No	Part No
	Dove Coffee	7DCL11-F8-800	7DCL11A-F8-800
	Gray Ice	7DCL11-F8-801	7DCL11A-F8-801
	Gray Beige	7DCL11-F8-802	7DCL11A-F8-802
	Graphite	7DCL11-F8-803	7DCL11A-F8-803
	Clover	7DCL11-F8-804	7DCL11A-F8-804
	Oxford	7DCL11-F8-805	7DCL11A-F8-805
	Syreni Blue	7DCL11-F8-806	7DCL11A-F8-806
	Obsedian	7DCL11-F8-807	7DCL11A-F8-807

Anthracite color fabric skirting board included on bottom

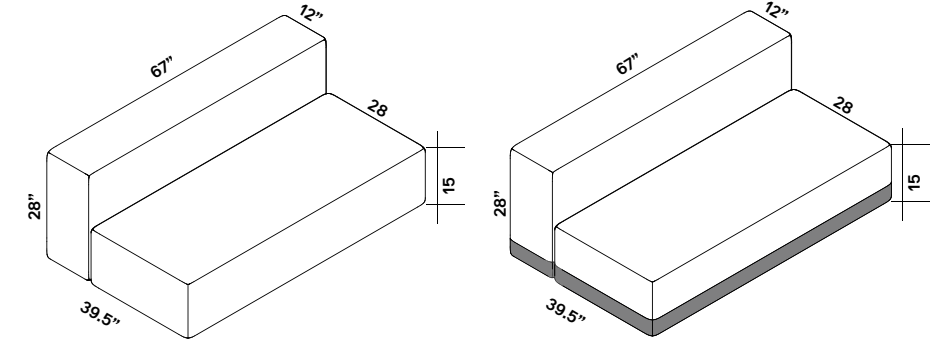
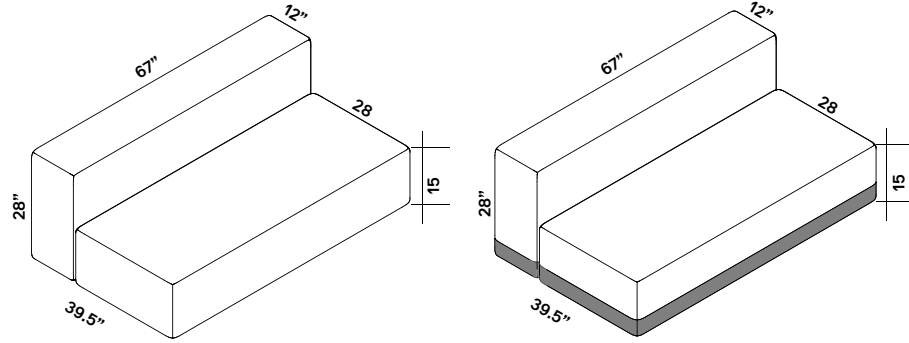
	Color	Part No	Part No
	Garnet	7DCL11-F8-808	7DCL11A-F8-808
	Sandstone	7DCL11-F8-809	7DCL11A-F8-809
	Forst	7DCL11-F8-810	7DCL11A-F8-810
	Rhino	7DCL11-F8-811	7DCL11A-F8-811
	Sahara	7DCL11-F8-812	7DCL11A-F8-812
	Yosemite	7DCL11-F8-813	7DCL11A-F8-813
	Arctic	7DCL11-F8-814	7DCL11A-F8-814
	Mint	7DCL11-F8-815	7DCL11A-F8-815

Anthracite color fabric skirting board included on bottom

Note on lead time: Due to the custom-made nature of the following products, the lead time is 12 weeks (month of august excluded).

VOLUMI LARGE SOFA DEEP FIBER 3 MELANGE

Call your representative for stock levels and availability



Color	Part No	Part No
Gray Ice	7DCL3-F3-300	7DCL3A-F3-300
Anthracite	7DCL3-F3-302	7DCL3A-F3-302
Gray Taupe	7DCL3-F3-303	7DCL3A-F3-303
Gray Beige	7DCL3-F3-304	7DCL3A-F3-304
Azure	7DCL3-F3-305	7DCL3A-F3-305
Gray Burgundy	7DCL3-F3-306	7DCL3A-F3-306
Gray Plum	7DCL3-F3-307	7DCL3A-F3-307
Gray Blue	7DCL3-F3-308	7DCL3A-F3-308

Anthracite color fabric skirting board included on bottom

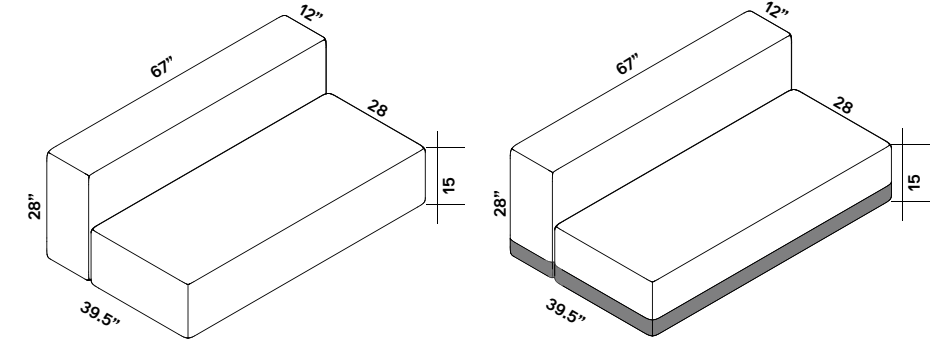
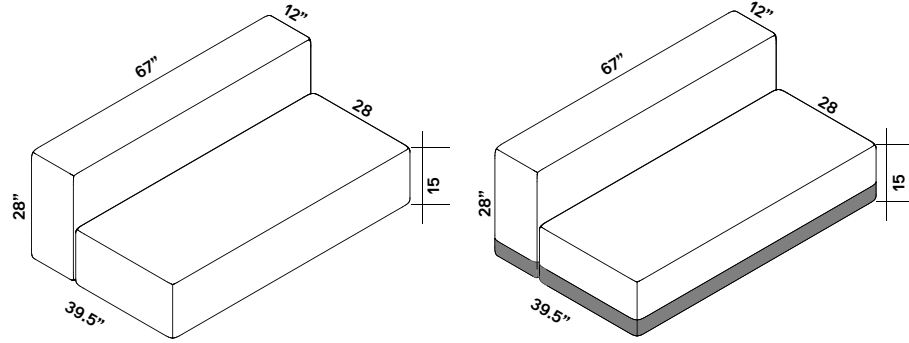
Color	Part No	Part No
Gray Green	7DCL3-F3-309	7DCL3A-F3-309
Gray Gold	7DCL3-F3-310	7DCL3A-F3-310
Carbon Gray	7DCL3-F3-311	7DCL3A-F3-311
Patina	7DCL3-F3-312	7DCL3A-F3-312
Evergreen	7DCL3-F3-313	7DCL3A-F3-313
Admiral Blue	7DCL3-F3-314	7DCL3A-F3-314
Fiji	7DCL3-F3-315	7DCL3A-F3-315
Ivory	7DCL3-F3-316	7DCL3A-F3-316

Anthracite color fabric skirting board included on bottom

Note on lead time: Due to the custom-made nature of the following products, the lead time is 12 weeks (month of august excluded).

VOLUMI LARGE SOFA DEEP FIBER 8 BOUCLÉ

Call your representative for stock levels and availability



Color	Part No	Part No
Dove Coffee	7DCL3-F8-800	7DCL3A-F8-800
Gray Ice	7DCL3-F8-801	7DCL3A-F8-801
Gray Beige	7DCL3-F8-802	7DCL3A-F8-802
Graphite	7DCL3-F8-803	7DCL3A-F8-803
Clover	7DCL3-F8-804	7DCL3A-F8-804
Oxford	7DCL3-F8-805	7DCL3A-F8-805
Syreni Blue	7DCL3-F8-806	7DCL3A-F8-806
Obsedian	7DCL3-F8-807	7DCL3A-F8-807

Anthracite color fabric skirting board included on bottom

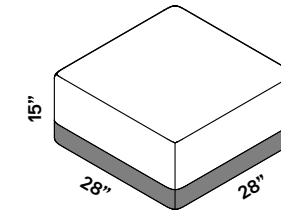
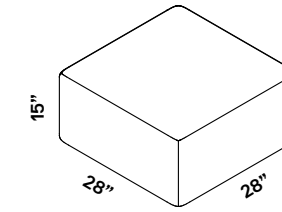
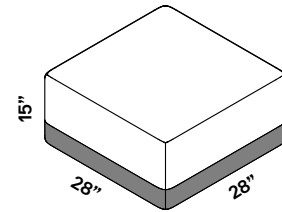
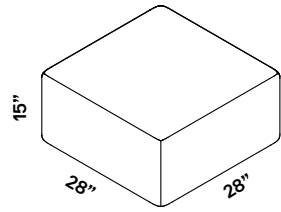
Color	Part No	Part No
Garnet	7DCL3-F8-808	7DCL3A-F8-808
Sandstone	7DCL3-F8-809	7DCL3A-F8-809
Forst	7DCL3-F8-810	7DCL3A-F8-810
Rhino	7DCL3-F8-811	7DCL3A-F8-811
Sahara	7DCL3-F8-812	7DCL3A-F8-812
Yosemite	7DCL3-F8-813	7DCL3A-F8-813
Arctic	7DCL3-F8-814	7DCL3A-F8-814
Mint	7DCL3-F8-815	7DCL3A-F8-815

Anthracite color fabric skirting board included on bottom

Note on lead time: Due to the custom-made nature of the following products, the lead time is 12 weeks (month of august excluded).

VOLUMI SMALL OTTOMAN FIBER 3 MELANGE

Call your representative for stock levels and availability



Color	Part No	Part No
Gray Ice	7DCL4-F3-300	7DCL4A-F3-300
Anthracite	7DCL4-F3-302	7DCL4A-F3-302
Gray Taupe	7DCL4-F3-303	7DCL4A-F3-303
Gray Beige	7DCL4-F3-304	7DCL4A-F3-304
Azure	7DCL4-F3-305	7DCL4A-F3-305
Gray Burgundy	7DCL4-F3-306	7DCL4A-F3-306
Gray Plum	7DCL4-F3-307	7DCL4A-F3-307
Gray Blue	7DCL4-F3-308	7DCL4A-F3-308

Anthracite color fabric skirting
board included on bottom

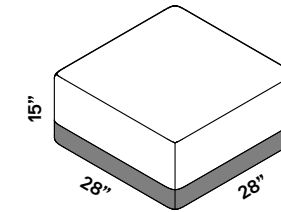
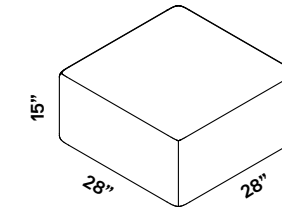
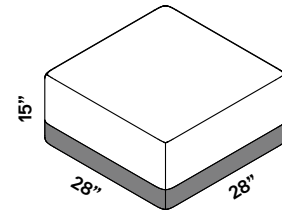
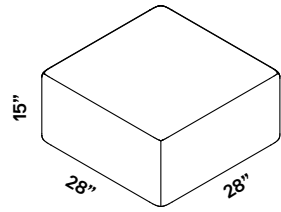
Color	Part No	Part No
Gray Green	7DCL4-F3-309	7DCL4A-F3-309
Gray Gold	7DCL4-F3-310	7DCL4A-F3-310
Carbon Gray	7DCL4-F3-311	7DCL4A-F3-311
Patina	7DCL4-F3-312	7DCL4A-F3-312
Evergreen	7DCL4-F3-313	7DCL4A-F3-313
Admiral Blue	7DCL4-F3-314	7DCL4A-F3-314
Fiji	7DCL4-F3-315	7DCL4A-F3-315
Ivory	7DCL4-F3-316	7DCL4A-F3-316

Anthracite color fabric skirting
board included on bottom

Note on lead time: Due to the custom-made nature of the following products, the lead time is 12 weeks (month of august excluded).

VOLUMI SMALL OTTOMAN FIBER 8 BOUCLÈ

Call your representative for stock levels and availability



Color	Part No	Part No
Dove Coffee	7DCL4-F8-800	7DCL4A-F8-800
Gray Ice	7DCL4-F8-801	7DCL4A-F8-801
Gray Beige	7DCL4-F8-802	7DCL4A-F8-802
Graphite	7DCL4-F8-803	7DCL4A-F8-803
Clover	7DCL4-F8-804	7DCL4A-F8-804
Oxford	7DCL4-F8-805	7DCL4A-F8-805
Syreni Blue	7DCL4-F8-806	7DCL4A-F8-806
Obsedian	7DCL4-F8-807	7DCL4A-F8-807

Anthracite color fabric skirting board included on bottom

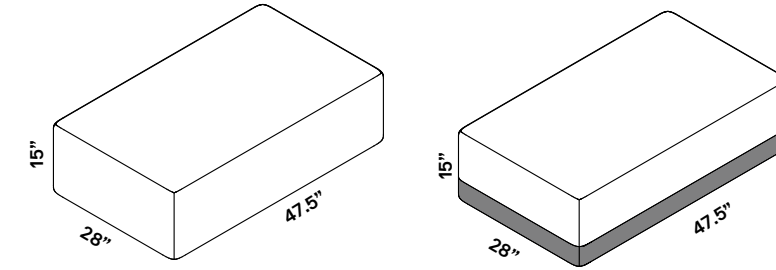
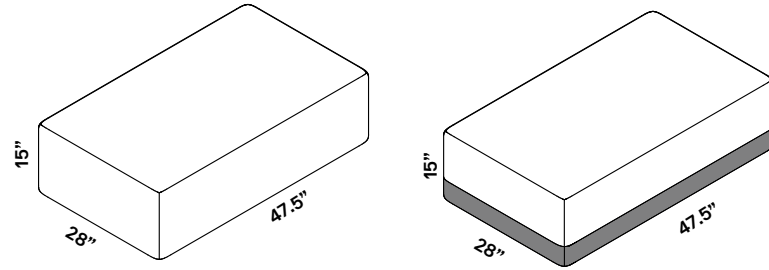
Color	Part No	Part No
Garnet	7DCL4-F8-808	7DCL4A-F8-808
Sandstone	7DCL4-F8-809	7DCL4A-F8-809
Forst	7DCL4-F8-810	7DCL4A-F8-810
Rhino	7DCL4-F8-811	7DCL4A-F8-811
Sahara	7DCL4-F8-812	7DCL4A-F8-812
Yosemite	7DCL4-F8-813	7DCL4A-F8-813
Arctic	7DCL4-F8-814	7DCL4A-F8-814
Mint	7DCL4-F8-815	7DCL4A-F8-815

Anthracite color fabric skirting board included on bottom

Note on lead time: Due to the custom-made nature of the following products, the lead time is 12 weeks (month of august excluded).

VOLUMI MEDIUM OTTOMAN FIBER 3 MELANGE

Call your representative for stock levels and availability



Color	Part No	Part No
Gray Ice	7DCL5-F3-300	7DCL5A-F3-300
Anthracite	7DCL5-F3-302	7DCL5A-F3-302
Gray Taupe	7DCL5-F3-303	7DCL5A-F3-303
Gray Beige	7DCL5-F3-304	7DCL5A-F3-304
Azure	7DCL5-F3-305	7DCL5A-F3-305
Gray Burgundy	7DCL5-F3-306	7DCL5A-F3-306
Gray Plum	7DCL5-F3-307	7DCL5A-F3-307
Gray Blue	7DCL5-F3-308	7DCL5A-F3-308

Anthracite color fabric skirting board included on bottom

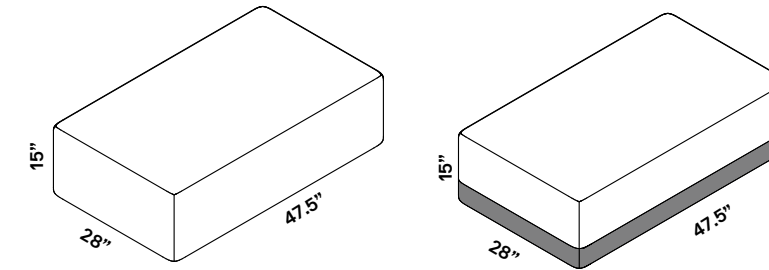
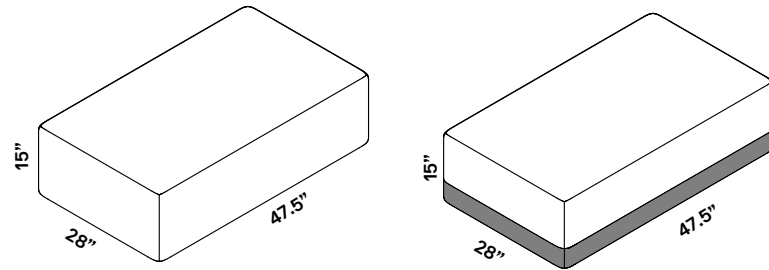
Color	Part No	Part No
Gray Green	7DCL5-F3-309	7DCL5A-F3-309
Gray Gold	7DCL5-F3-310	7DCL5A-F3-310
Carbon Gray	7DCL5-F3-311	7DCL5A-F3-311
Patina	7DCL5-F3-312	7DCL5A-F3-312
Evergreen	7DCL5-F3-313	7DCL5A-F3-313
Admiral Blue	7DCL5-F3-314	7DCL5A-F3-314
Fiji	7DCL5-F3-315	7DCL5A-F3-315
Ivory	7DCL5-F3-316	7DCL5A-F3-316








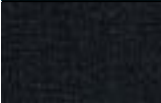
Anthracite color fabric skirting board included on bottom

Note on lead time: Due to the custom-made nature of the following products, the lead time is 12 weeks (month of august excluded).









VOLUMI MEDIUM OTTOMAN FIBER 8 BOUCLÉ

Call your representative for stock levels and availability



	Color	Part No	Part No
	Dove Coffee	7DCL5-F8-800	7DCL5A-F8-800
	Gray Ice	7DCL5-F8-801	7DCL5A-F8-801
	Gray Beige	7DCL5-F8-802	7DCL5A-F8-802
	Graphite	7DCL5-F8-803	7DCL5A-F8-803
	Clover	7DCL5-F8-804	7DCL5A-F8-804
	Oxford	7DCL5-F8-805	7DCL5A-F8-805
	Syreni Blue	7DCL5-F8-806	7DCL5A-F8-806
	Obsedian	7DCL5-F8-807	7DCL5A-F8-807

Anthracite color fabric skirting board included on bottom

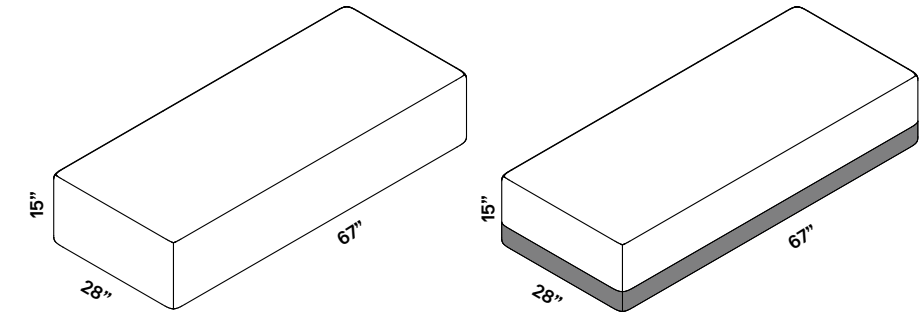
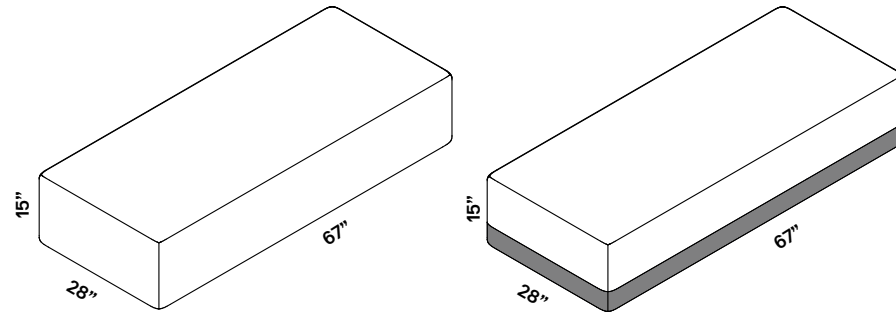
	Color	Part No	Part No
	Garnet	7DCL5-F8-808	7DCL5A-F8-808
	Sandstone	7DCL5-F8-809	7DCL5A-F8-809
	Forst	7DCL5-F8-810	7DCL5A-F8-810
	Rhino	7DCL5-F8-811	7DCL5A-F8-811
	Sahara	7DCL5-F8-812	7DCL5A-F8-812
	Yosemite	7DCL5-F8-813	7DCL5A-F8-813
	Arctic	7DCL5-F8-814	7DCL5A-F8-814
	Mint	7DCL5-F8-815	7DCL5A-F8-815

Anthracite color fabric skirting board included on bottom

Note on lead time: Due to the custom-made nature of the following products, the lead time is 12 weeks (month of august excluded).

VOLUMI LARGE OTTOMAN FIBER 3 MELANGE

Call your representative for stock levels and availability



Color	Part No	Part No
Gray Ice	7DCL6-F3-300	7DCL6A-F3-300
Anthracite	7DCL6-F3-302	7DCL6A-F3-302
Gray Taupe	7DCL6-F3-303	7DCL6A-F3-303
Gray Beige	7DCL6-F3-304	7DCL6A-F3-304
Azure	7DCL6-F3-305	7DCL6A-F3-305
Gray Burgundy	7DCL6-F3-306	7DCL6A-F3-306
Gray Plum	7DCL6-F3-307	7DCL6A-F3-307
Gray Blue	7DCL6-F3-308	7DCL6A-F3-308

Anthracite color fabric skirting
board included on bottom

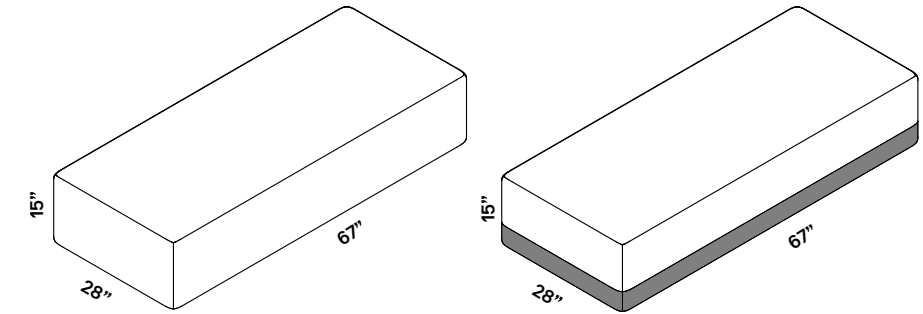
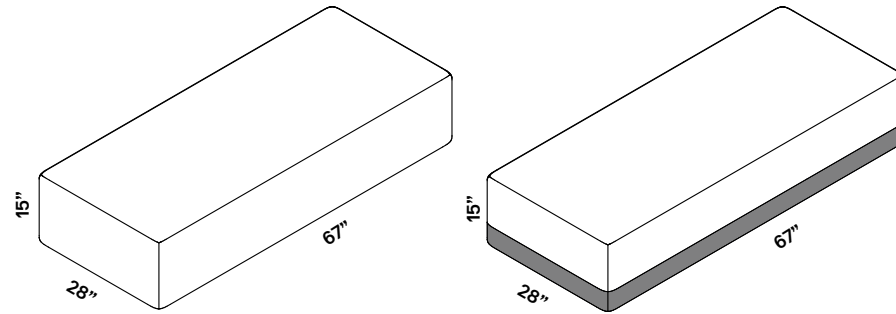
Color	Part No	Part No
Gray Green	7DCL6-F3-309	7DCL6A-F3-309
Gray Gold	7DCL6-F3-310	7DCL6A-F3-310
Carbon Gray	7DCL6-F3-311	7DCL6A-F3-311
Patina	7DCL6-F3-312	7DCL6A-F3-312
Evergreen	7DCL6-F3-313	7DCL6A-F3-313
Admiral Blue	7DCL6-F3-314	7DCL6A-F3-314
Fiji	7DCL6-F3-315	7DCL6A-F3-315
Ivory	7DCL6-F3-316	7DCL6A-F3-316

Anthracite color fabric skirting
board included on bottom

Note on lead time: Due to the custom-made nature of the following products, the lead time is 12 weeks (month of august excluded).

VOLUMI LARGE OTTOMAN FIBER 8 BOUCLÈ

Call your representative for stock levels and availability



Color	Part No	Part No
Dove Coffee	7DCL6-F8-800	7DCL6A-F8-800
Gray Ice	7DCL6-F8-801	7DCL6A-F8-801
Gray Beige	7DCL6-F8-802	7DCL6A-F8-802
Graphite	7DCL6-F8-803	7DCL6A-F8-803
Clover	7DCL6-F8-804	7DCL6A-F8-804
Oxford	7DCL6-F8-805	7DCL6A-F8-805
Syreni Blue	7DCL6-F8-806	7DCL6A-F8-806
Obsedian	7DCL6-F8-807	7DCL6A-F8-807

Anthracite color fabric skirting board included on bottom

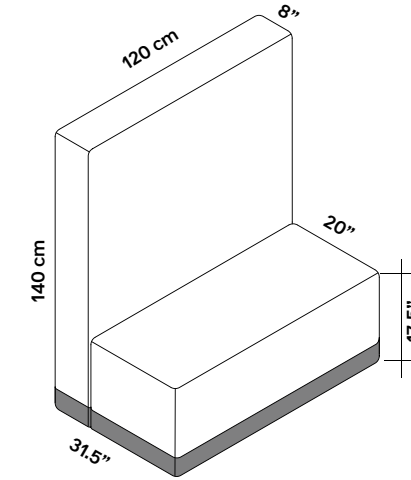
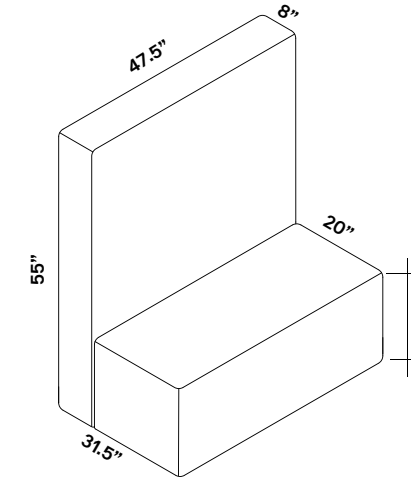
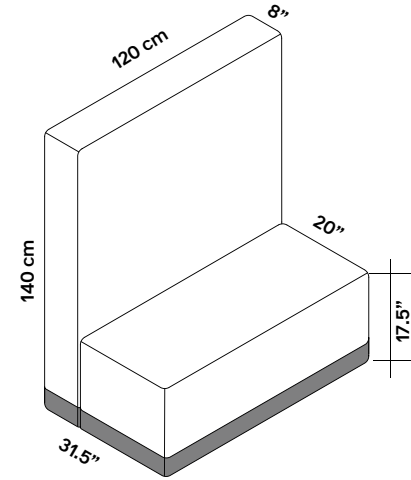
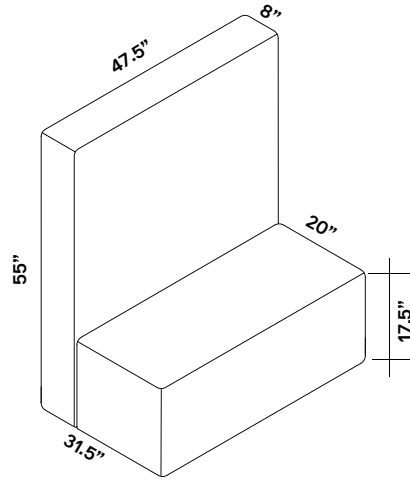
Color	Part No	Part No
Garnet	7DCL6-F8-808	7DCL6A-F8-808
Sandstone	7DCL6-F8-809	7DCL6A-F8-809
Forst	7DCL6-F8-810	7DCL6A-F8-810
Rhino	7DCL6-F8-811	7DCL6A-F8-811
Sahara	7DCL6-F8-812	7DCL6A-F8-812
Yosemite	7DCL6-F8-813	7DCL6A-F8-813
Arctic	7DCL6-F8-814	7DCL6A-F8-814
Mint	7DCL6-F8-815	7DCL6A-F8-815

Anthracite color fabric skirting board included on bottom

Note on lead time: Due to the custom-made nature of the following products, the lead time is 12 weeks (month of august excluded).

VOLUMI HIGH BACK FIBER 3 MELANGE

Call your representative for stock levels and availability



Color	Part No	Part No
Gray Ice	7DCL13-F3-300	7DCL13A-F3-300
Anthracite	7DCL13-F3-302	7DCL13A-F3-302
Gray Taupe	7DCL13-F3-303	7DCL13A-F3-303
Gray Beige	7DCL13-F3-304	7DCL13A-F3-304
Azure	7DCL13-F3-305	7DCL13A-F3-305
Gray Burgundy	7DCL13-F3-306	7DCL13A-F3-306
Gray Plum	7DCL13-F3-307	7DCL13A-F3-307
Gray Blue	7DCL13-F3-308	7DCL13A-F3-308

Anthracite color fabric skirting
board included on bottom

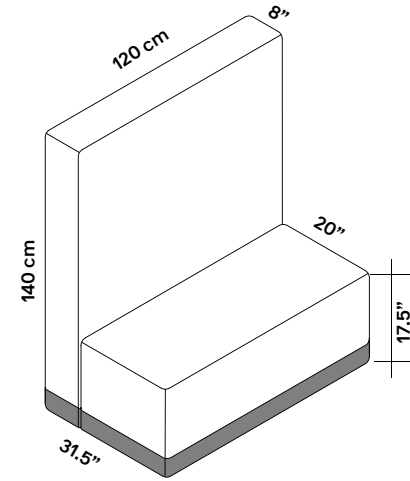
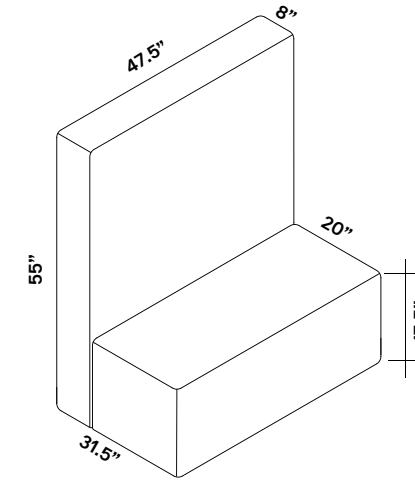
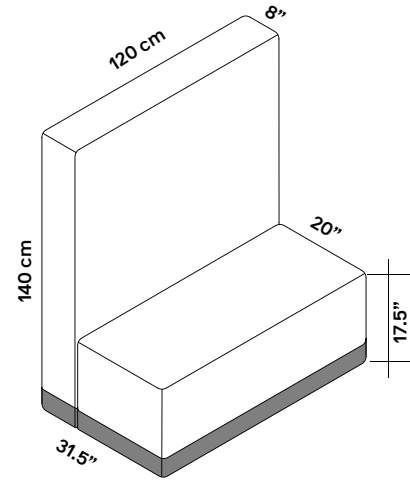
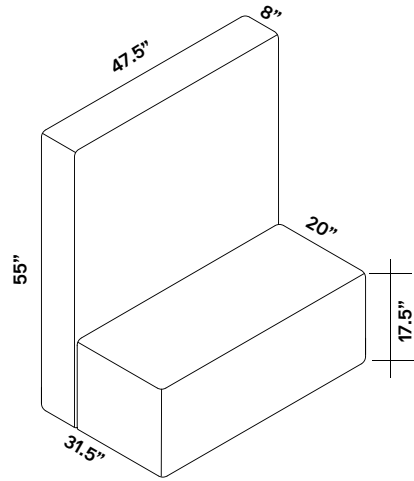
Color	Part No	Part No
Gray Green	7DCL13-F3-309	7DCL13A-F3-309
Gray Gold	7DCL13-F3-310	7DCL13A-F3-310
Carbon Gray	7DCL13-F3-311	7DCL13A-F3-311
Patina	7DCL13-F3-312	7DCL13A-F3-312
Evergreen	7DCL13-F3-313	7DCL13A-F3-313
Admiral Blue	7DCL13-F3-314	7DCL13A-F3-314
Fiji	7DCL13-F3-315	7DCL13A-F3-315
Ivory	7DCL13-F3-316	7DCL13A-F3-316

Anthracite color fabric skirting
board included on bottom

Note on lead time: Due to the custom-made nature of the following products, the lead time is 12 weeks (month of august excluded).

VOLUMI HIGH BACK FIBER 8 BOUCLÉ

Call your representative for stock levels and availability



Color	Part No	Part No
Dove Coffee	7DCL13-F8-800	7DCL13A-F8-800
Gray Ice	7DCL13-F8-801	7DCL13A-F8-801
Gray Beige	7DCL13-F8-802	7DCL13A-F8-802
Graphite	7DCL13-F8-803	7DCL13A-F8-803
Clover	7DCL13-F8-804	7DCL13A-F8-804
Oxford	7DCL13-F8-805	7DCL13A-F8-805
Syreni Blue	7DCL13-F8-806	7DCL13A-F8-806
Obsedian	7DCL13-F8-807	7DCL13A-F8-807

Anthracite color fabric skirting board included on bottom

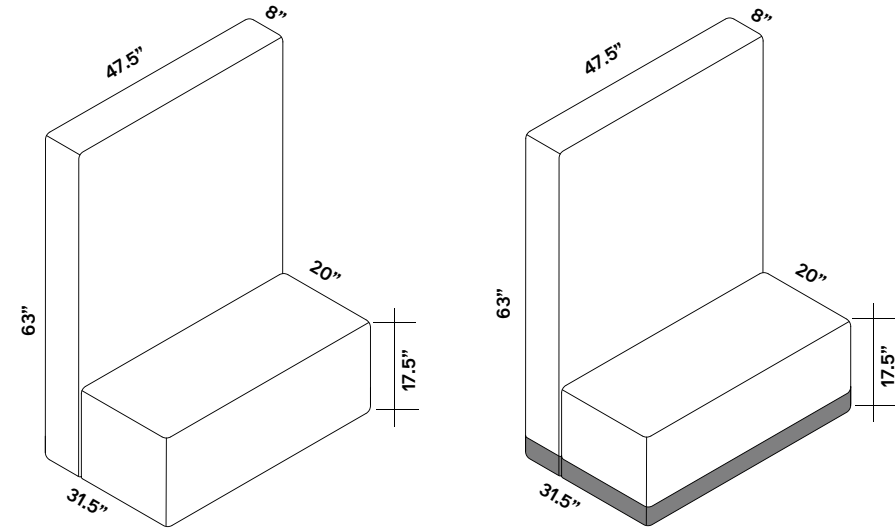
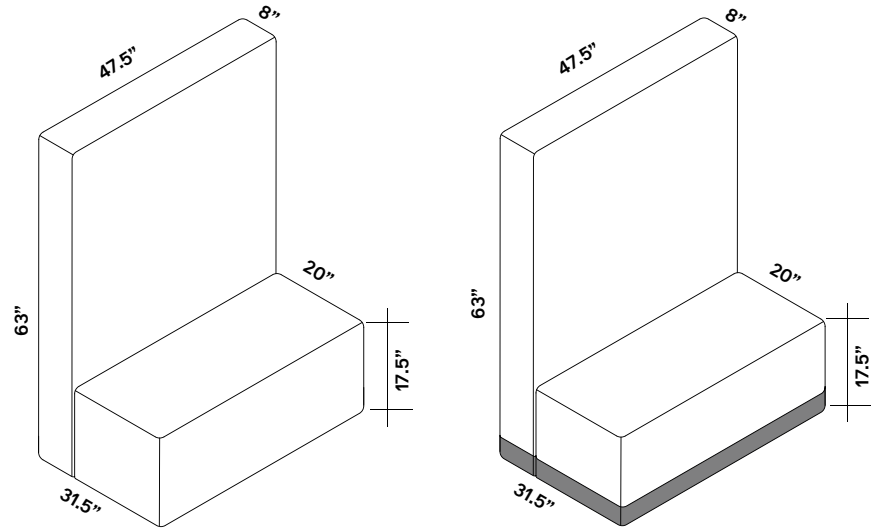
Color	Part No	Part No
Garnet	7DCL13-F8-808	7DCL13A-F8-808
Sandstone	7DCL13-F8-809	7DCL13A-F8-809
Forst	7DCL13-F8-810	7DCL13A-F8-810
Rhino	7DCL13-F8-811	7DCL13A-F8-811
Sahara	7DCL13-F8-812	7DCL13A-F8-812
Yosemite	7DCL13-F8-813	7DCL13A-F8-813
Arctic	7DCL13-F8-814	7DCL13A-F8-814
Mint	7DCL13-F8-815	7DCL13A-F8-815

Anthracite color fabric skirting board included on bottom

Note on lead time: Due to the custom-made nature of the following products, the lead time is 12 weeks (month of august excluded).

VOLUMI FIBER 3 MELANGE

Call your representative for stock levels and availability



Color	Part No	Part No
Gray Ice	7DCL16-F3-300	7DCL16A-F3-300
Anthracite	7DCL16-F3-302	7DCL16A-F3-302
Gray Taupe	7DCL16-F3-303	7DCL16A-F3-303
Gray Beige	7DCL16-F3-304	7DCL16A-F3-304
Azure	7DCL16-F3-305	7DCL16A-F3-305
Gray Burgundy	7DCL16-F3-306	7DCL16A-F3-306
Gray Plum	7DCL16-F3-307	7DCL16A-F3-307
Gray Blue	7DCL16-F3-308	7DCL16A-F3-308

Anthracite color fabric skirting
board included on bottom

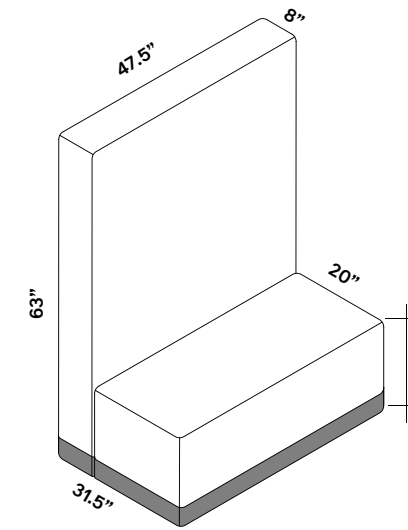
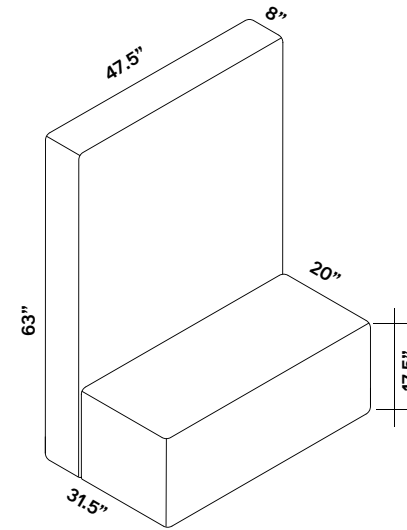
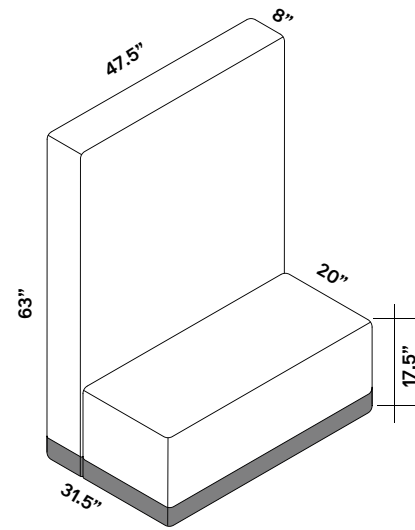
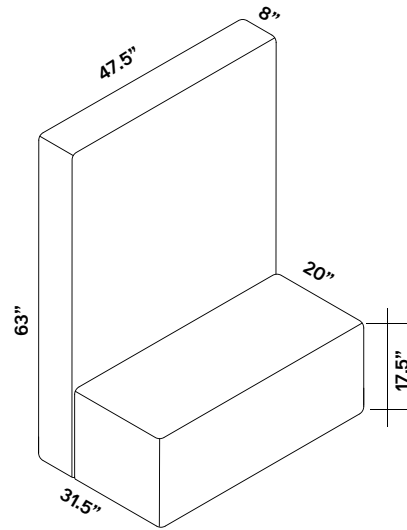
Color	Part No	Part No
Gray Green	7DCL16-F3-309	7DCL16A-F3-309
Gray Gold	7DCL16-F3-310	7DCL16A-F3-310
Carbon Gray	7DCL16-F3-311	7DCL16A-F3-311
Patina	7DCL16-F3-312	7DCL16A-F3-312
Evergreen	7DCL16-F3-313	7DCL16A-F3-313
Admiral Blue	7DCL16-F3-314	7DCL16A-F3-314
Fiji	7DCL16-F3-315	7DCL16A-F3-315
Ivory	7DCL16-F3-316	7DCL16A-F3-316

Anthracite color fabric skirting
board included on bottom

Note on lead time: Due to the custom-made nature of the following products, the lead time is 12 weeks (month of august excluded).

VOLUMI FIBER 8 BOUCLÈ

Call your representative for stock levels and availability



Color	Part No	Part No
Dove Coffee	7DCL16-F8-800	7DCL16A-F8-800
Gray Ice	7DCL16-F8-801	7DCL16A-F8-801
Gray Beige	7DCL16-F8-802	7DCL16A-F8-802
Graphite	7DCL16-F8-803	7DCL16A-F8-803
Clover	7DCL16-F8-804	7DCL16A-F8-804
Oxford	7DCL16-F8-805	7DCL16A-F8-805
Syreni Blue	7DCL16-F8-806	7DCL16A-F8-806
Obsedian	7DCL16-F8-807	7DCL16A-F8-807

Anthracite color fabric skirting
board included on bottom

Color	Part No	Part No
Garnet	7DCL16-F8-808	7DCL16A-F8-808
Sandstone	7DCL16-F8-809	7DCL16A-F8-809
Forst	7DCL16-F8-810	7DCL16A-F8-810
Rhino	7DCL16-F8-811	7DCL16A-F8-811
Sahara	7DCL16-F8-812	7DCL16A-F8-812
Yosemite	7DCL16-F8-813	7DCL16A-F8-813
Arctic	7DCL16-F8-814	7DCL16A-F8-814
Mint	7DCL16-F8-815	7DCL16A-F8-815

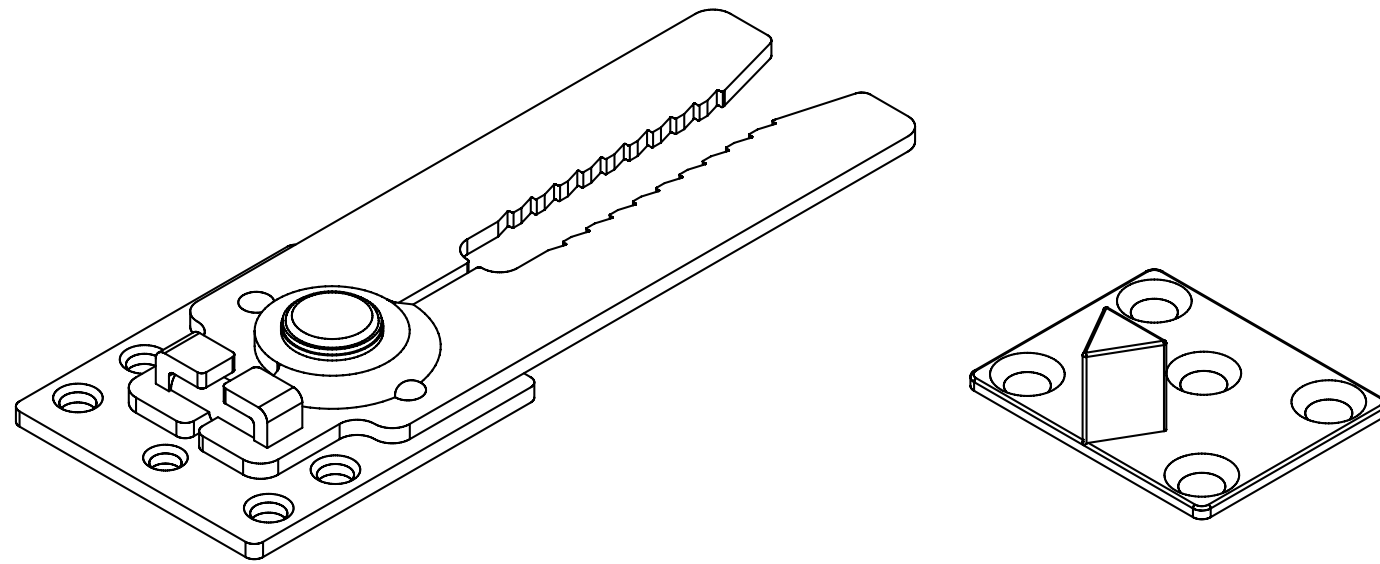
Anthracite color fabric skirting
board included on bottom

Note on lead time: Due to the custom-made nature of the following products, the lead time is 12 weeks (month of august excluded).

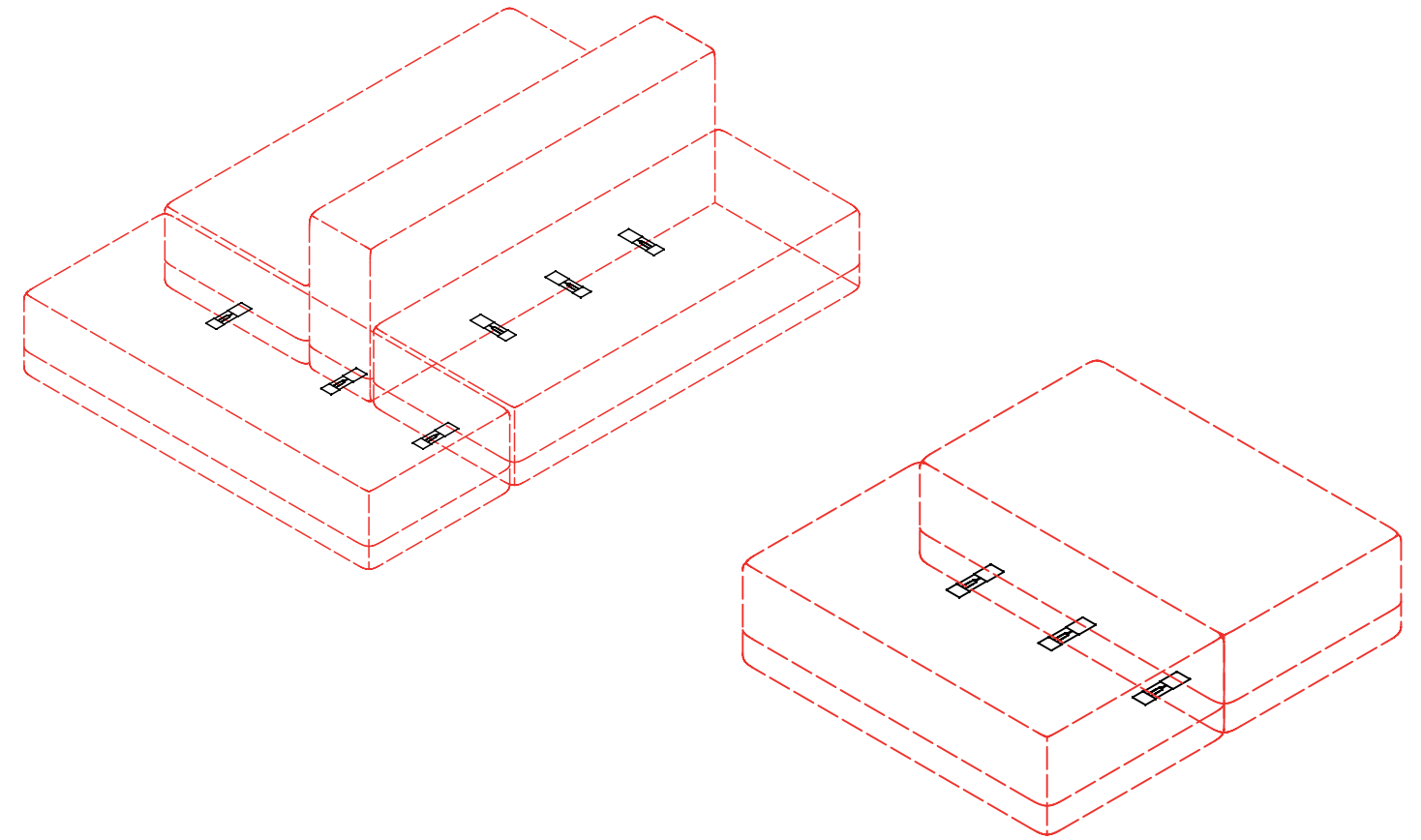
VOLUMI KIT

VOLUMI CONNECT JOINT

Sofa Size	All Sizes
Part No	7DCOC
QTY	1
Finish	Steel



VOLUMI TYPICALS



SNOWPOUF



SNOWPOUF

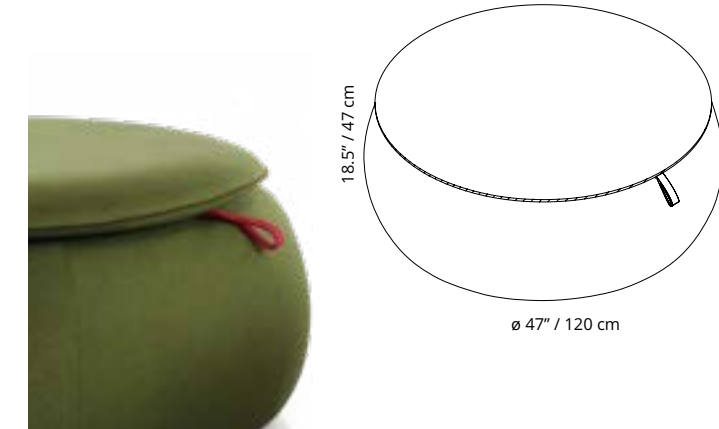
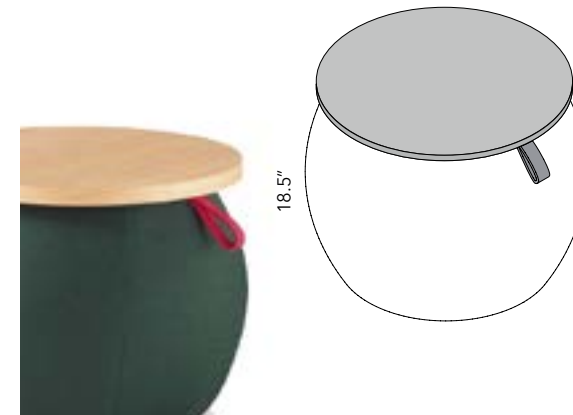
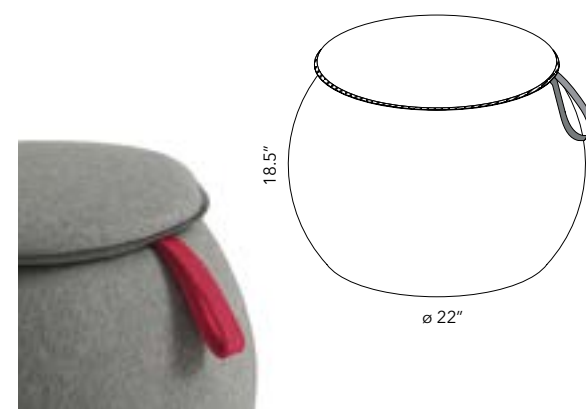
SNOWPOUF is a sound-absorbing tabletop composed of a wooden structure upholstered with sound-absorbing technopolymer. Its external covering is made of Snowsound-Fiber 3 Melange pr Snowsound-Fiber 12 in Econyl Fabric.


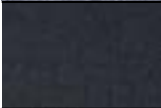




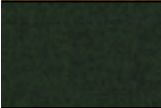

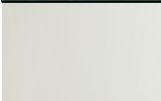
Specs	Eco friendly – Greenguard Gold and Declare Label LBC Red List Free
	Class A sound absorption (ISO 354)
	Class A fire and smoke safety (UL 723/ASTM E84)
	CAL 133, 117 pass
	Patented Technology – Structure, Foam and Fabric
	BIFMA Certified X5.4-2020, Public and Lounge Seating
Design	Paola Navone – Otto Studio



SNOWPOUF FIBER 3 MELANGE

Call your representative for stock levels and availability



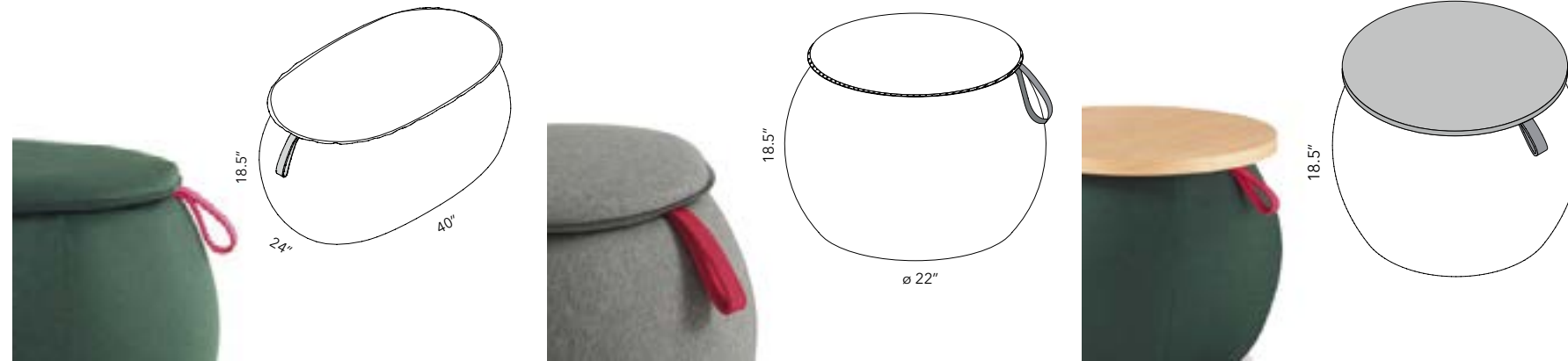
	Color	Part No	Part No	Part No	Part No
	Gray Ice	7SN2-F3-300	7SN1-F3-300	7SN3-F3-300	7SN4-F3-300
	Anthracite	7SN2-F3-302	7SN1-F3-302	7SN3-F3-302	7SN4-F3-302
	Azure	7SN2-F3-305	7SN1-F3-305	7SN3-F3-305	7SN4-F3-305
	Gray Blue	7SN2-F3-308	7SN1-F3-308	7SN3-F3-308	7SN4-F3-308
	Gray Green	7SN2-F3-309	7SN1-F3-309	7SN3-F3-309	7SN4-F3-309
	Gray Gold	7SN2-F3-310	7SN1-F3-310	7SN3-F3-310	7SN4-F3-310
	Evergreen	7SN2-F3-313	7SN1-F3-313	7SN3-F3-313	7SN4-F3-313
	Fiji	7SN2-F3-315	7SN1-F3-315	7SN3-F3-315	7SN4-F3-315
	Ivory**	7SN2-F3-316	7SN1-F3-316	7SN3-F3-316	7SN4-F3-316

Ivory, as well as all other Fiber 3 colors, are available for special order upon request.

Note on lead time: Due to the custom-made nature of the following products, the lead time is 12 weeks (month of August excluded).

SNOWPOUF FIBER 12 ECONYL

Call your representative for stock levels and availability



Color	Part No	Part No	Part No
Viper	7SN2-1200	7SN1-1200	7SN3-1200
Berry	7SN2-1201	7SN1-1201	7SN3-1201
Chess	7SN2-1202	7SN1-1202	7SN3-1202
Igloo	7SN2-1203	7SN1-1203	7SN3-1203
Camel	7SN2-1204	7SN1-1204	7SN3-1204
Ribbon	7SN2-1205	7SN1-1205	7SN3-1205

Note on lead time: Due to the custom-made nature of the following products, the lead time is 12 weeks (month of august excluded).

FULCRO



FULCRO

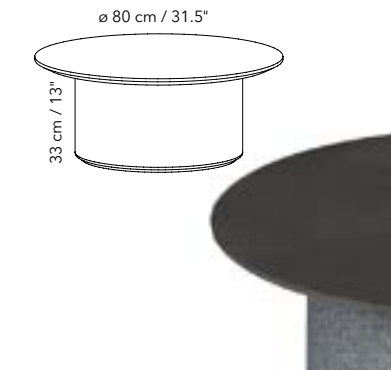
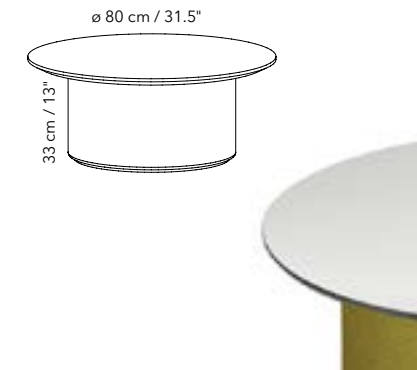
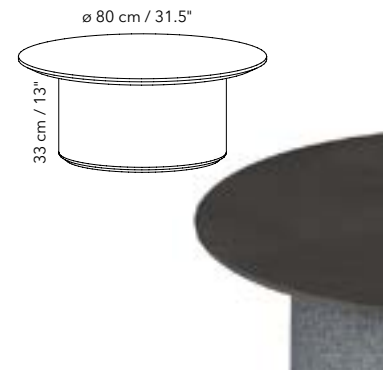
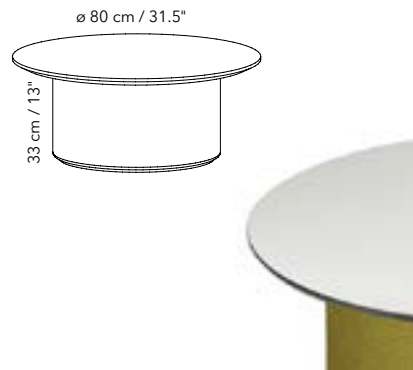


FULCRO is a sound-absorbing table top featuring a wooden structure upholstered with sound-absorbing technopolymer. Its external covering is available in Snowsound-Fiber 3 Melange or Snowsound-Fiber 8 Bouclè fabric. The table top comes in three options: cement, white HPL, or light oak wood.

Specs	Eco friendly – Greenguard Gold and Declare Label LBC Red List Free
	Class A sound absorption (ISO 354)
	Class A fire and smoke safety (UL 723/ASTM E84)
	CAL 133, 117 pass
	Patented Technology – Structure, Foam and Fabric
	BIFMA Certified X5.4-2020, Public and Lounge Seating
Design	Claudio Bellini

FULCRO FIBER 3 MELANGE

Call your representative for stock levels and availability



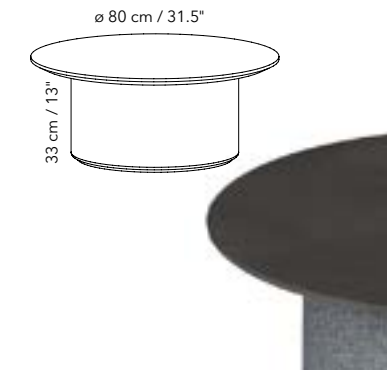
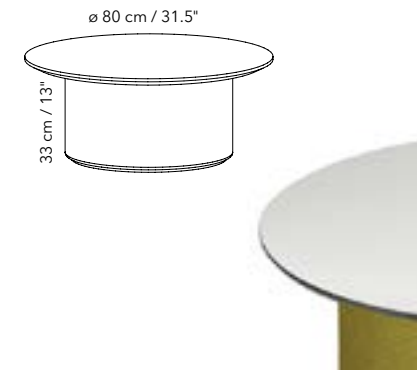
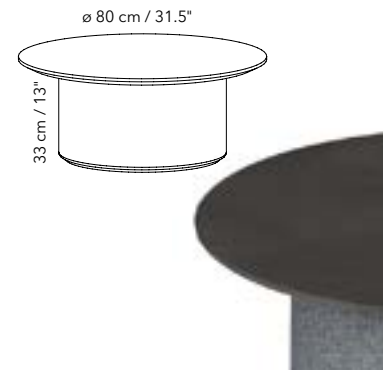
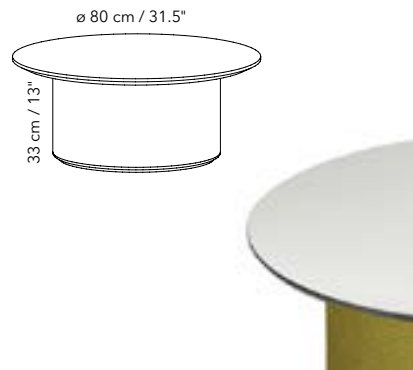
Color	Part No	Part No	Part No
Gray Ice	7TB33B-F3-300	7TB33C-F3-300	7TB33R-F3-300
Anthracite	7TB33B-F3-302	7TB33C-F3-302	7TB33R-F3-302
Gray Taupe	7TB33B-F3-303	7TB33C-F3-303	7TB33R-F3-303
Gray Beige	7TB33B-F3-304	7TB33C-F3-304	7TB33R-F3-304
Azure	7TB33B-F3-305	7TB33C-F3-305	7TB33R-F3-305
Gray Burgundy	7TB33B-F3-306	7TB33C-F3-306	7TB33R-F3-306
Gray Plum	7TB33B-F3-307	7TB33C-F3-307	7TB33R-F3-307
Gray Blue	7TB33B-F3-308	7TB33C-F3-308	7TB33R-F3-308

Color	Part No	Part No	Part No
Gray Green	7TB33B-F3-309	7TB33C-F3-309	7TB33R-F3-309
Gray Gold	7TB33B-F3-310	7TB33C-F3-310	7TB33R-F3-310
Carbon Gray	7TB33B-F3-311	7TB33C-F3-311	7TB33R-F3-311
Patina	7TB33B-F3-312	7TB33C-F3-312	7TB33R-F3-312
Evergreen	7TB33B-F3-313	7TB33C-F3-313	7TB33R-F3-313
Admiral Blue	7TB33B-F3-314	7TB33C-F3-314	7TB33R-F3-314
Fiji	7TB33B-F3-315	7TB33C-F3-315	7TB33R-F3-315
Ivory	7TB33B-F3-316	7TB33C-F3-316	7TB33R-F3-316

Note on lead time: Due to the custom-made nature of the following products, the lead time is 12 weeks (month of august excluded).

FULCRO FIBER 8 BOUCLÈ

Call your representative for stock levels and availability



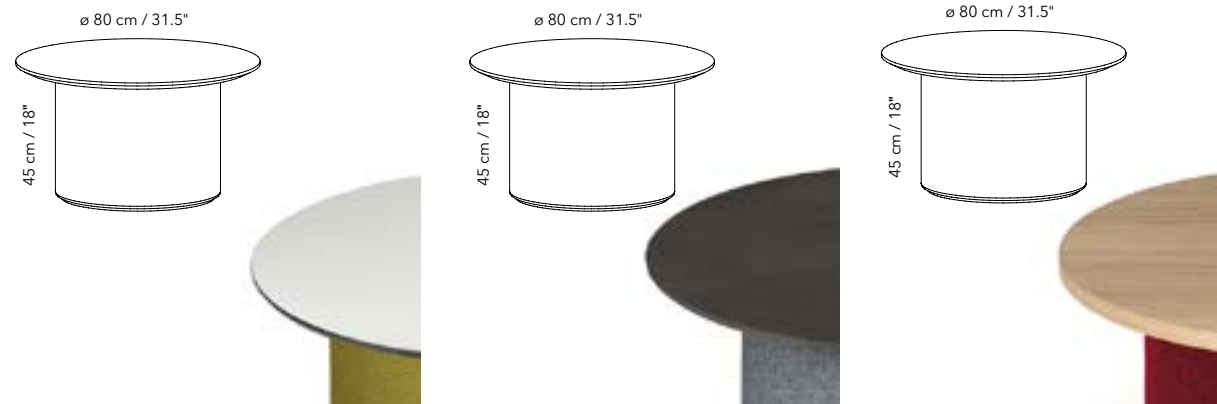
	Color	Part No	Part No	Part No
	Dove	7TB33B-F8-800	7TB33C-F8-800	7TB33R-F8-800
	Coffee			
	Gray	7TB33B-F8-801	7TB33C-F8-801	7TB33R-F8-801
	Ice			
	Gray	7TB33B-F8-802	7TB33C-F8-802	7TB33R-F8-802
	Beige			
	Graphite	7TB33B-F8-803	7TB33C-F8-803	7TB33R-F8-803
	Clover	7TB33B-F8-804	7TB33C-F8-804	7TB33R-F8-804
	Oxford	7TB33B-F8-805	7TB33C-F8-805	7TB33R-F8-805
	Syreni Blue	7TB33B-F8-806	7TB33C-F8-806	7TB33R-F8-806
	Obsedian	7TB33B-F8-807	7TB33C-F8-807	7TB33R-F8-807

	Color	Part No	Part No	Part No
	Garnet	7TB33B-F8-808	7TB33C-F8-808	7TB33R-F8-808
	Sandstone	7TB33B-F8-809	7TB33C-F8-809	7TB33R-F8-809
	Forst	7TB33B-F8-810	7TB33C-F8-810	7TB33R-F8-810
	Rhino	7TB33B-F8-811	7TB33C-F8-811	7TB33R-F8-811
	Sahara	7TB33B-F8-812	7TB33C-F8-812	7TB33R-F8-812
	Yosemite	7TB33B-F8-813	7TB33C-F8-813	7TB33R-F8-813
	Arctic	7TB33B-F8-814	7TB33C-F8-814	7TB33R-F8-814
	Mint	7TB33B-F8-815	7TB33C-F8-815	7TB33R-F8-815

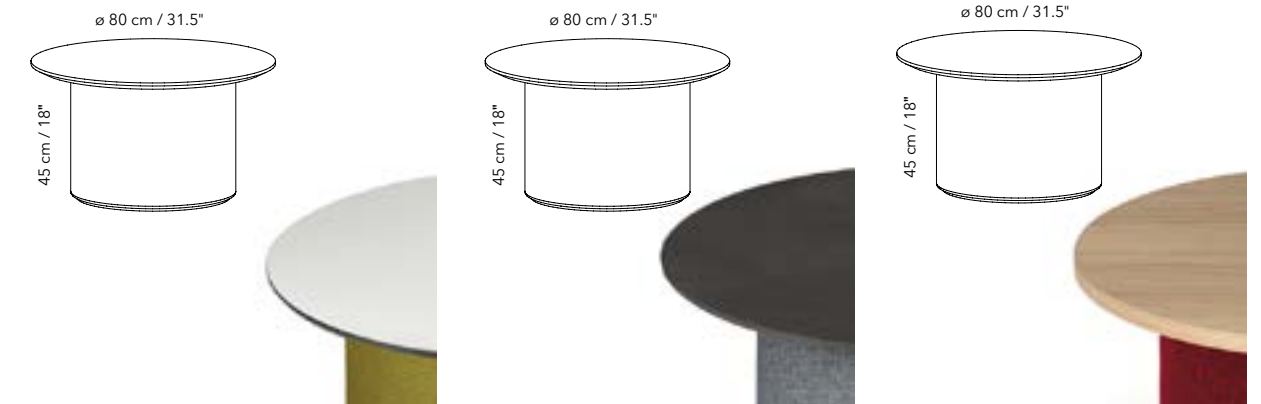
Note on lead time: Due to the custom-made nature of the following products, the lead time is 12 weeks (month of august excluded).

FULCRO FIBER 3 MELANGE

Call your representative for stock levels and availability



Color	Part No	Part No	Part No
Gray Ice	7TB45B-F3-300	7TB45C-F3-300	7TB45R-F3-300
Anthracite Gray	7TB45B-F3-302	7TB45C-F3-302	7TB45R-F3-302
Taupe Gray	7TB45B-F3-303	7TB45C-F3-303	7TB45R-F3-303
Beige Azure	7TB45B-F3-304	7TB45C-F3-304	7TB45R-F3-304
Gray	7TB45B-F3-305	7TB45C-F3-305	7TB45R-F3-305
Burgundy Gray	7TB45B-F3-306	7TB45C-F3-306	7TB45R-F3-306
Plum Gray	7TB45B-F3-307	7TB45C-F3-307	7TB45R-F3-307
Blue	7TB45B-F3-308	7TB45C-F3-308	7TB45R-F3-308

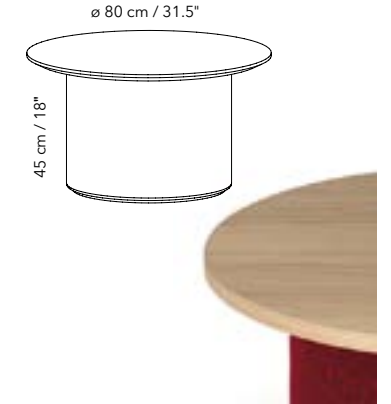
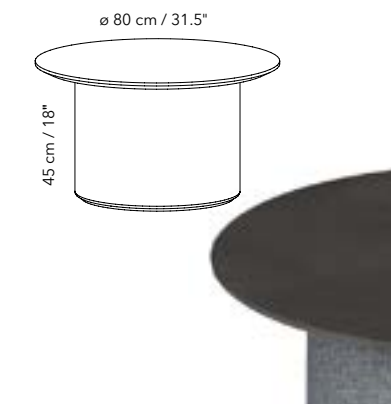
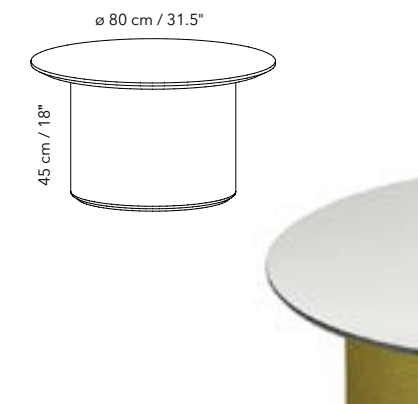
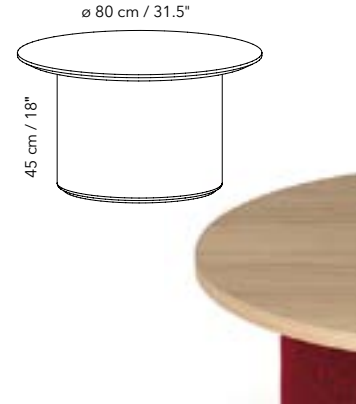
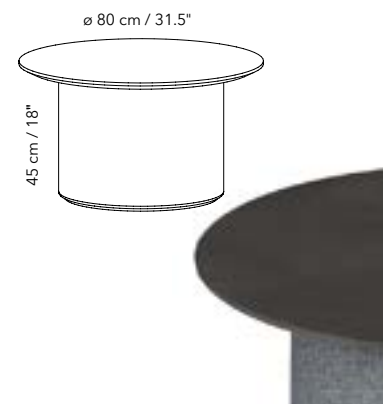
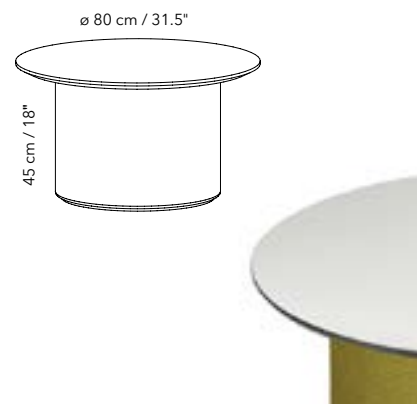


Color	Part No	Part No	Part No
Gray Green	7TB45B-F3-309	7TB45C-F3-309	7TB45R-F3-309
Gray Gold	7TB45B-F3-310	7TB45C-F3-310	7TB45R-F3-310
Carbon Gray	7TB45B-F3-311	7TB45C-F3-311	7TB45R-F3-311
Patina	7TB45B-F3-312	7TB45C-F3-312	7TB45R-F3-312
Evergreen	7TB45B-F3-313	7TB45C-F3-313	7TB45R-F3-313
Admiral Blue	7TB45B-F3-314	7TB45C-F3-314	7TB45R-F3-314
Fiji	7TB45B-F3-315	7TB45C-F3-315	7TB45R-F3-315
Ivory	7TB45B-F3-316	7TB45C-F3-316	7TB45R-F3-316

Note on lead time: Due to the custom-made nature of the following products, the lead time is 12 weeks (month of august excluded).

FULCRO FIBER 8 BOUCLÈ

Call your representative for stock levels and availability



Color	Part No	Part No	Part No
Dove Coffee	7TB45B-F8-800	7TB45C-F8-800	7TB45R-F8-800
Gray Ice	7TB45B-F8-801	7TB45C-F8-801	7TB45R-F8-801
Gray Beige	7TB45B-F8-802	7TB45C-F8-802	7TB45R-F8-802
Graphite	7TB45B-F8-803	7TB45C-F8-803	7TB45R-F8-803
Clover	7TB45B-F8-804	7TB45C-F8-804	7TB45R-F8-804
Oxford	7TB45B-F8-805	7TB45C-F8-805	7TB45R-F8-805
Syreni Blue	7TB45B-F8-806	7TB45C-F8-806	7TB45R-F8-806
Obsedian	7TB45B-F8-807	7TB45C-F8-807	7TB45R-F8-807

Color	Part No	Part No	Part No
Garnet	7TB45B-F8-808	7TB45C-F8-808	7TB45R-F8-808
Sandstone	7TB45B-F8-809	7TB45C-F8-809	7TB45R-F8-809
Forst	7TB45B-F8-810	7TB45C-F8-810	7TB45R-F8-810
Rhino	7TB45B-F8-811	7TB45C-F8-811	7TB45R-F8-811
Sahara	7TB45B-F8-812	7TB45C-F8-812	7TB45R-F8-812
Yosemite	7TB45B-F8-813	7TB45C-F8-813	7TB45R-F8-813
Arctic	7TB45B-F8-814	7TB45C-F8-814	7TB45R-F8-814
Mint	7TB45B-F8-815	7TB45C-F8-815	7TB45R-F8-815

Note on lead time: Due to the custom-made nature of the following products, the lead time is 12 weeks (month of august excluded).

LUCREZIO



LUCREZIO

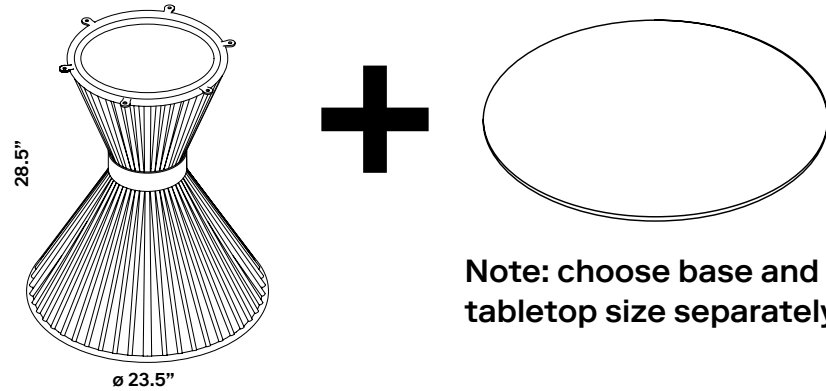


LUCREZIO presents an innovative system of sound-absorbing tables, available in round and oval versions with tops of various sizes, designed to cater to diverse aesthetic and functional preferences. The structure, crafted entirely from epoxy powder-coated steel, features a distinctive hourglass shape formed by narrow rods, resulting in two conical figures (upper and lower). Both conical figures are filled with sound-absorbing elements and covered with Snowsound acoustic fabric Fiber 3 Melange, offered in a wide array of colors. The composite material tops boast a "sandwich" structure, comprising an MDF core sandwiched between two aluminum plates. The upper part and perimeter edges are meticulously coated with handmade brushed cement. The artisanal craftsmanship of the tops ensures each piece is unique and exclusive in its finish and coloration.

Specs	Eco friendly – Greenguard Gold and Declare Label LBC Red List Free
	Class A sound absorption (ISO 354)
	Class A fire and smoke safety (UL 723/ASTM E84)
	CAL 133, 117 pass
	Patented Technology – Structure, Foam and Fabric
	BIFMA Certified X5.4–2020, Public and Lounge Seating
Design	Snowsound Lab

LUCREZIO ROUND TABLE BASE FIBER 3 MELANGE

Call your representative for stock levels and availability



Note: choose base and tabletop size separately

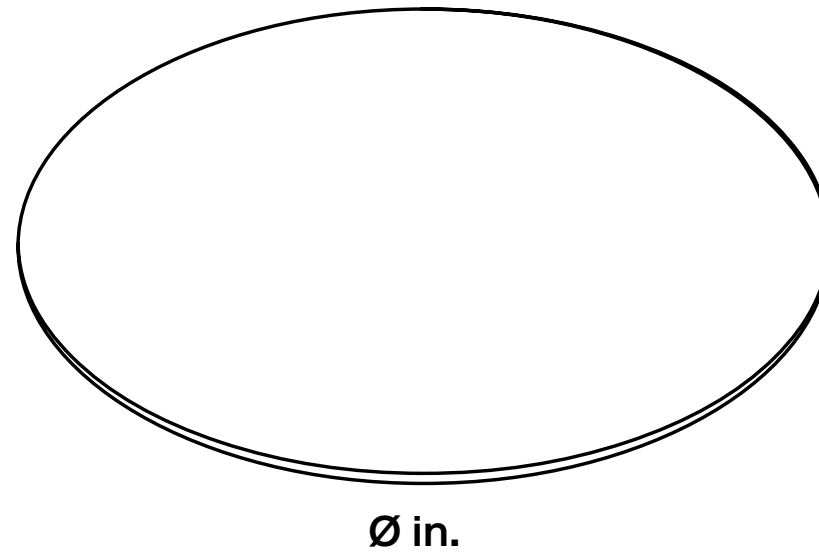
Color	Part No
Gray Ice	7SLUTN-F3-300
Anthracite	7SLUTN-F3-302
Gray Taupe	7SLUTN-F3-303
Gray Beige	7SLUTN-F3-304
Azure	7SLUTN-F3-305
Gray Burgundy	7SLUTN-F3-306
Gray Plum	7SLUTN-F3-307
Gray Blue	7SLUTN-F3-308

Color	Part No
Gray Green	7SLUTN-F3-309
Gray Gold	7SLUTN-F3-310
Carbon Gray	7SLUTN-F3-311
Patina	7SLUTN-F3-312
Evergreen	7SLUTN-F3-313
Admiral Blue	7SLUTN-F3-314
Fiji	7SLUTN-F3-315
Ivory	7SLUTN-F3-316

Note on lead time: Due to the custom-made nature of the following products, the lead time is 12 weeks (month of august excluded).

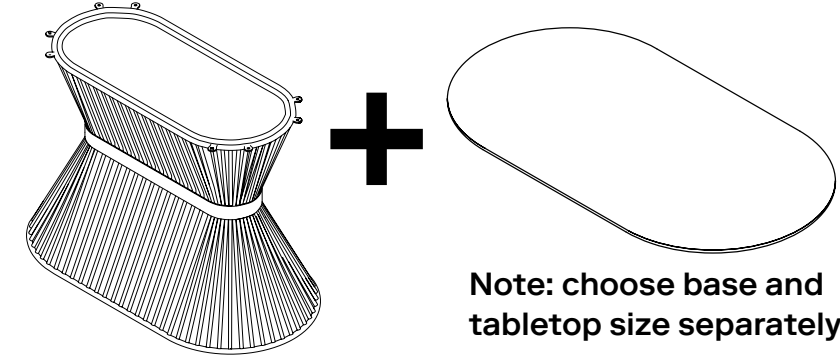
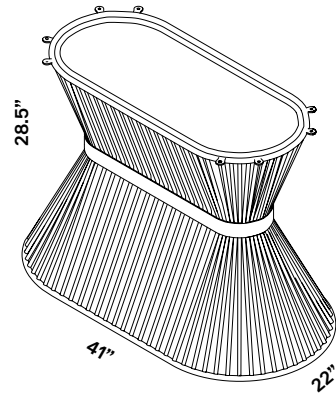
LUCREZIO TABLE TOP BRUSHED CONCRETE FINISH

Size	ø 43"	ø 47"	ø 51"	ø 55"
Part No	7PLU110-S	7PLU120-S	7PLU130-S	7PLU140-S



LUCREZIO FIBER 3 MELANGE

Call your representative for stock levels and availability



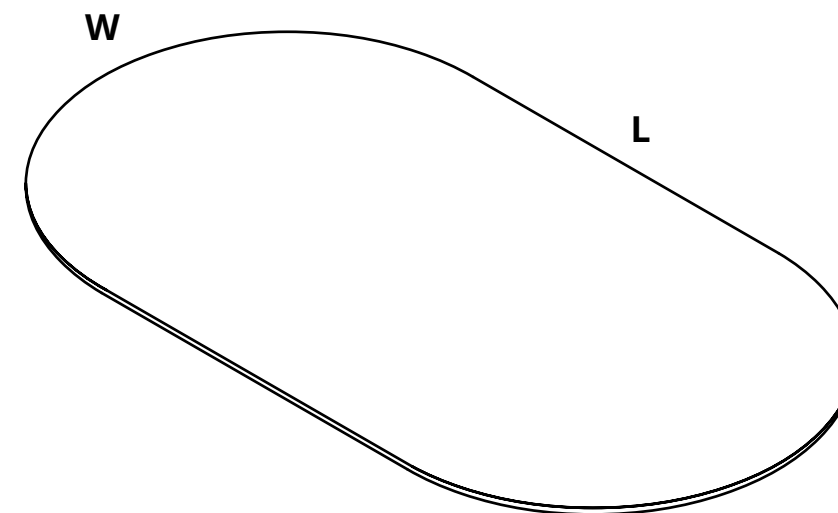
Color	Part No
Gray Ice	7SLUON-F3-300
Anthracite	7SLUON-F3-302
Gray Taupe	7SLUON-F3-303
Gray Beige	7SLUON-F3-304
Azure	7SLUON-F3-305
Gray Burgundy	7SLUON-F3-306
Gray Plum	7SLUON-F3-307
Gray Blue	7SLUON-F3-308

Color	Part No
Gray Green	7SLUON-F3-309
Gray Gold	7SLUON-F3-310
Carbon Gray	7SLUON-F3-311
Patina	7SLUON-F3-312
Evergreen	7SLUON-F3-313
Admiral Blue	7SLUON-F3-314
Fiji	7SLUON-F3-315
Ivory	7SLUON-F3-316

Note on lead time: Due to the custom-made nature of the following products, the lead time is 12 weeks (month of august excluded).

LUCREZIO TABLE TOP BRUSHED CONCRETE FINISH

Size	Part No	Size	Part No	Size	Part No
35" x 63"	7PLU90160-S	39" x 79"	7PLU100200-S	43" x 95"	7PLU110240-S
35" x 71"	7PLU90180-S	39" x 87"	7PLU100220-S	43" x 102"	7PLU110260-S
35" x 79"	7PLU90200-S	39" x 95"	7PLU100240-S	47" x 63"	7PLU120160-S
35" x 87"	7PLU90220-S	39" x 102"	7PLU100260-S	47" x 71"	7PLU120180-S
35" x 95"	7PLU90240-S	43" x 63"	7PLU110160-S	47" x 79"	7PLU120200-S
35" x 102"	7PLU90260-S	43" x 71"	7PLU110180-S	47" x 87"	7PLU120220-S
39" x 63"	7PLU100160-S	43" x 79"	7PLU110200-S	47" x 95"	7PLU120240-S
39" x 71"	7PLU100180-S	43" x 87"	7PLU110220-S	47" x 102"	7PLU120260-S

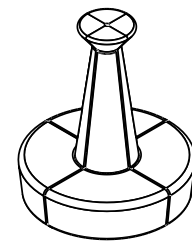


A+E TECHNOLOGY

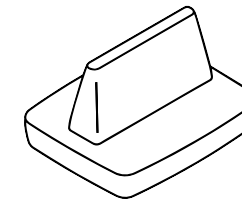
Snowsound metallized high-tech polymer fabric, infused with pure silver, serves a specific purpose: to reduce the power of electromagnetic fields while still allowing the use of smartphones and Wi-Fi networks. Unlike some materials that completely block signals, this fabric offers a balanced approach, ensuring functionality while minimizing electromagnetic exposure. By integrating this radio frequency-reducing fabric into sofas and other sound-absorbing elements, it combines the benefits of sound absorption with the reduction of electromagnetic fields. This patented technology represents a significant advancement in promoting the well-being of individuals by addressing concerns related to electromagnetic exposure.

Standard	Frequency MHz (Start-Stop)	Attenuation (%)
GSM / 850	825-895	98,30 / 99,15
GSM / 900	870-960	96,45 / 96,66
UMTS	1920-2170	92,24 / 99,44
LTE	2510-2690	96,98 / 99,70
WIFI	2400-2500	99,04 / 99,40
5G	3400-3800	74,89 / 99,21
WIFI	5100-5800	93,83 / 99,25

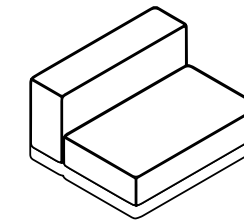
Available for



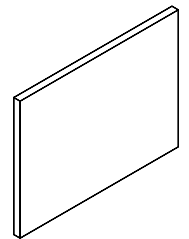
SNOWKING
Page 405



NAPWORK
Page 400



VOLUMI
Page 411

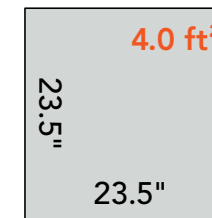
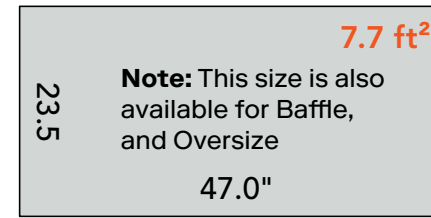
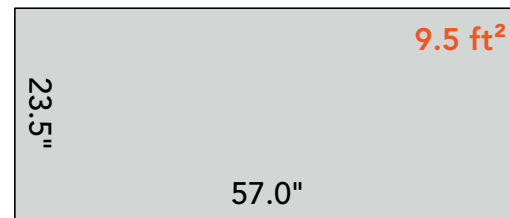
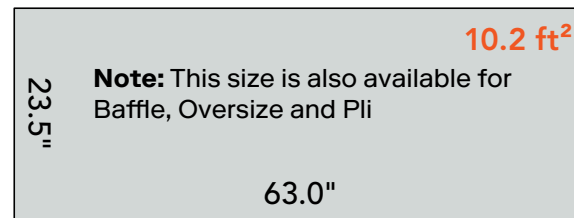


SNOW CUSTOM
Page 224



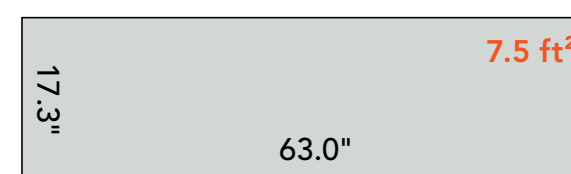
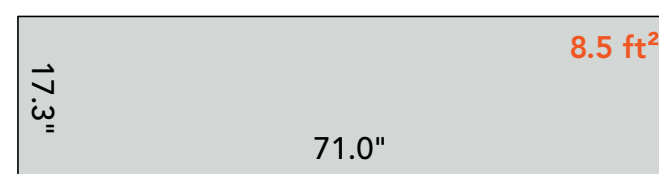
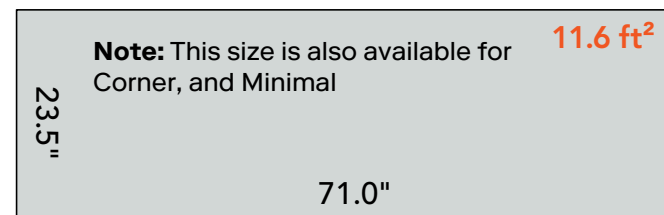
PRODUCT SIZE CHART

CORNER, MINIMAL, SNOWFRONT, SNOWFIX, SNOWFIX EASY, SNOWMAGNET EASY & TRA LIGHT

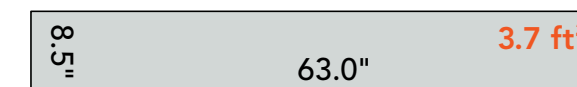


Note: This size is also available for Baffle

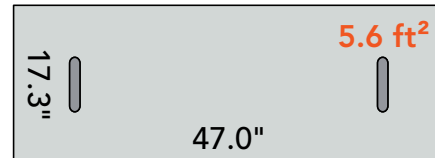
BAFFLE, BAFFLE DIRECT, SNOWMAGNET EASY, SNOWFIX & SNOWFIX EASY



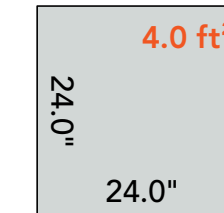
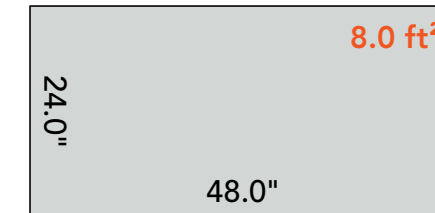
BAFFLE DIRECT



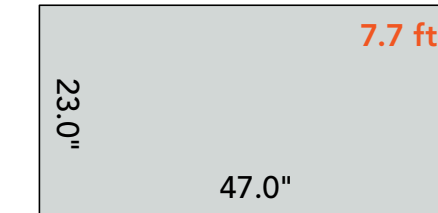
MITESCO



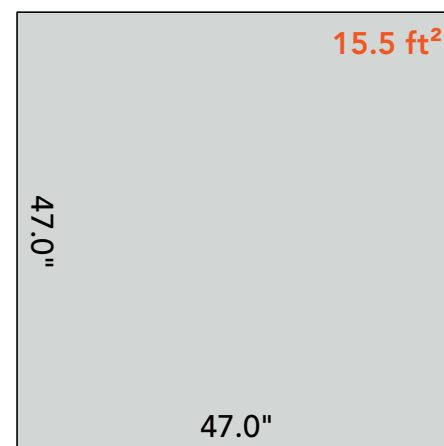
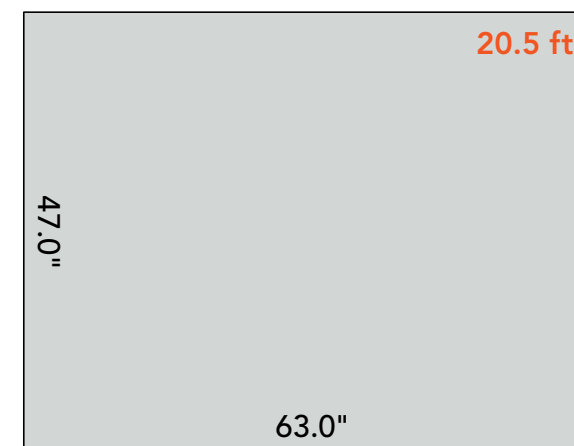
IN



FLOAT

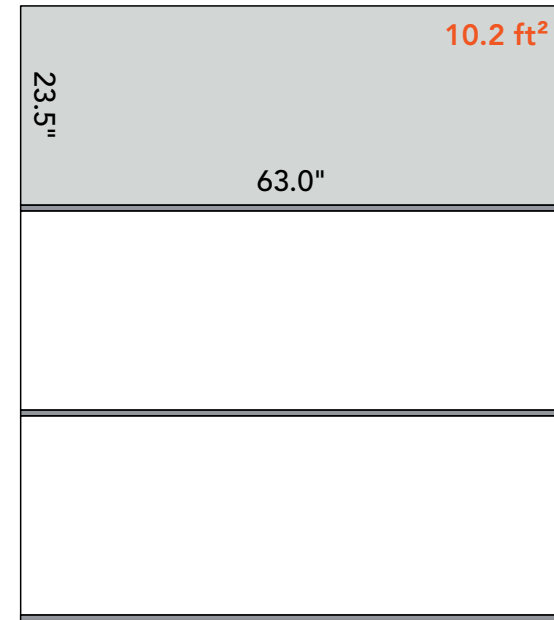


BAFFLE OVERSIZE, OVERSIZE, PLI OVER, PLI OVERSIZE SNOWFIX, SNOWFIX EASY, SNOWMAGNET EASY & TRA LIGHT

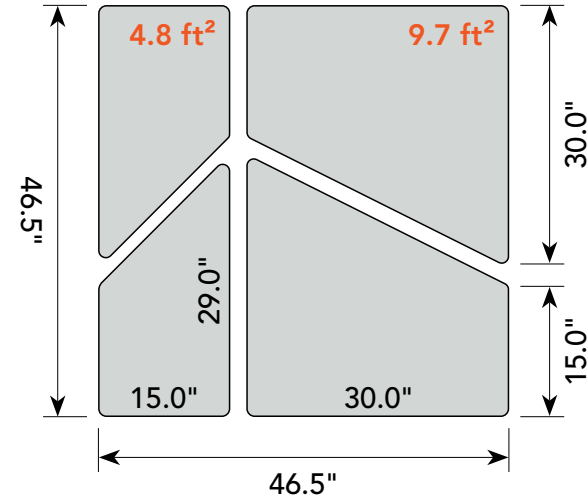


PRODUCT SIZE CHART

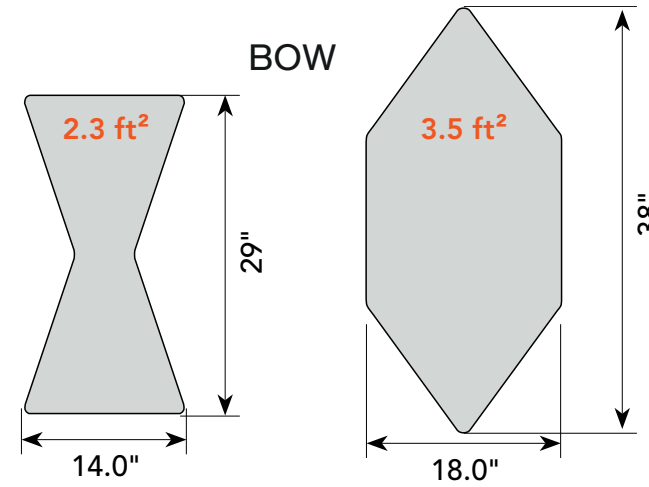
BLADE



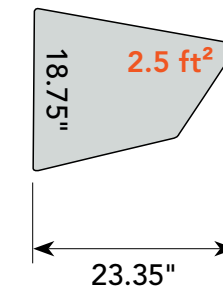
FLAT



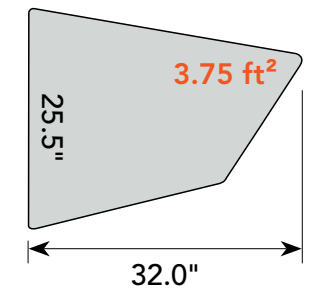
BOW



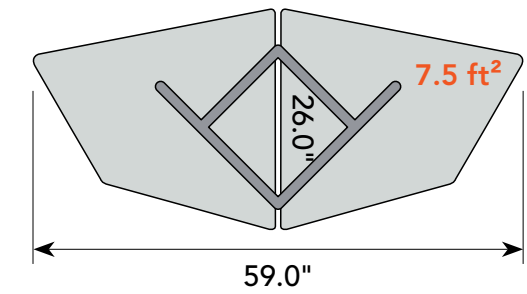
FLAP



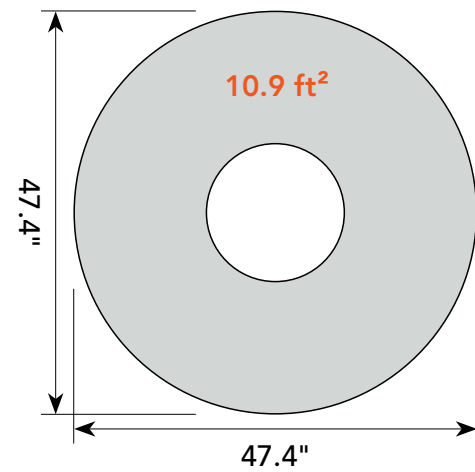
FLAP GRANDE



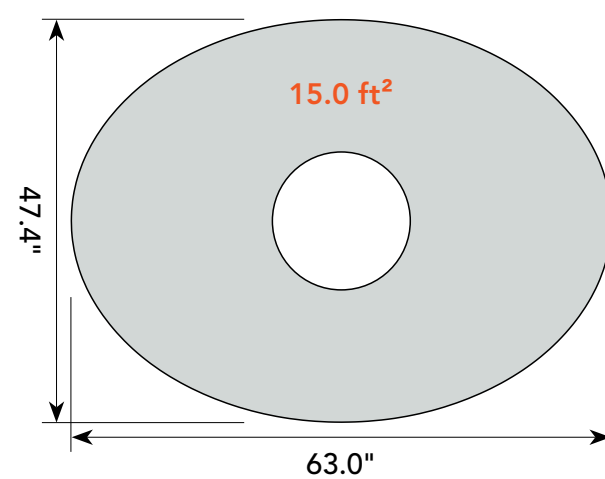
FLAP WINGS



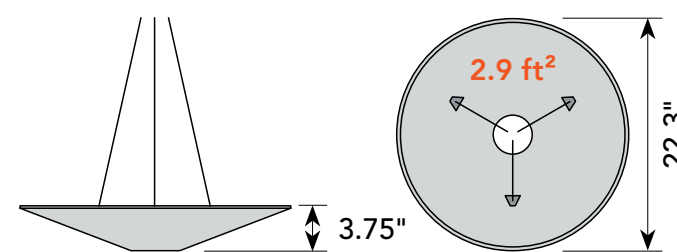
GIOTTO



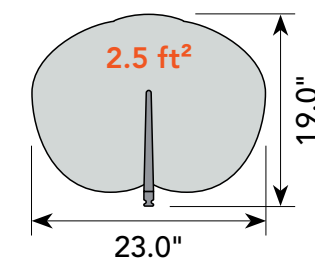
GIOTTO OVAL



TL

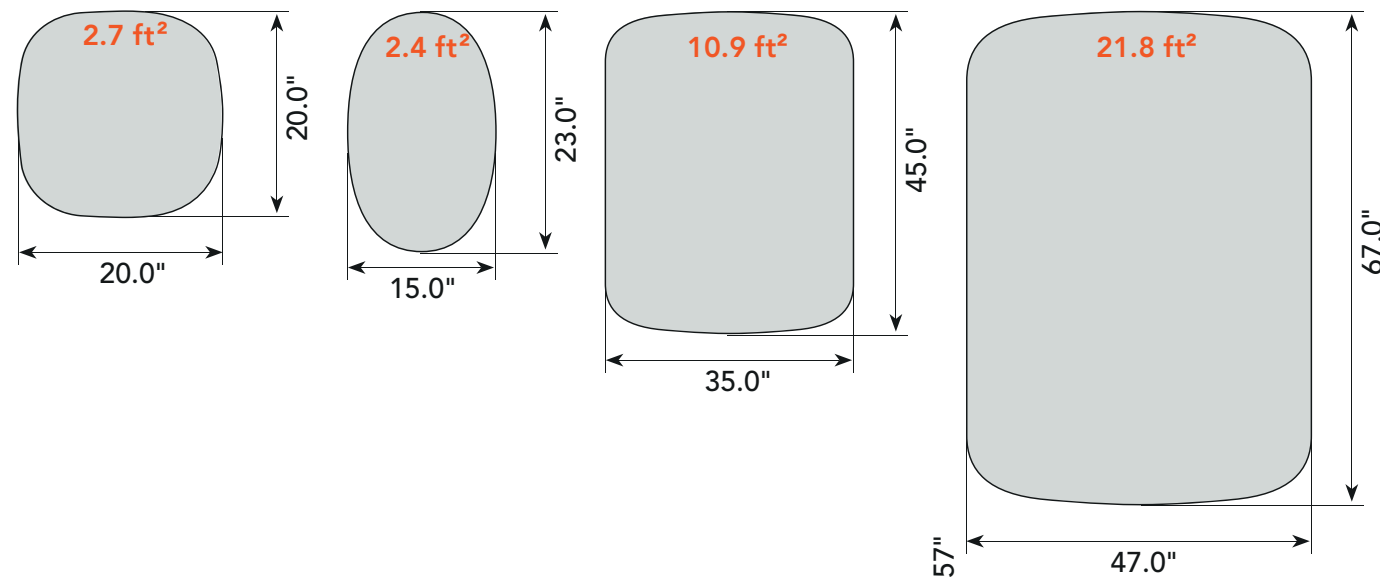


BOTANICA

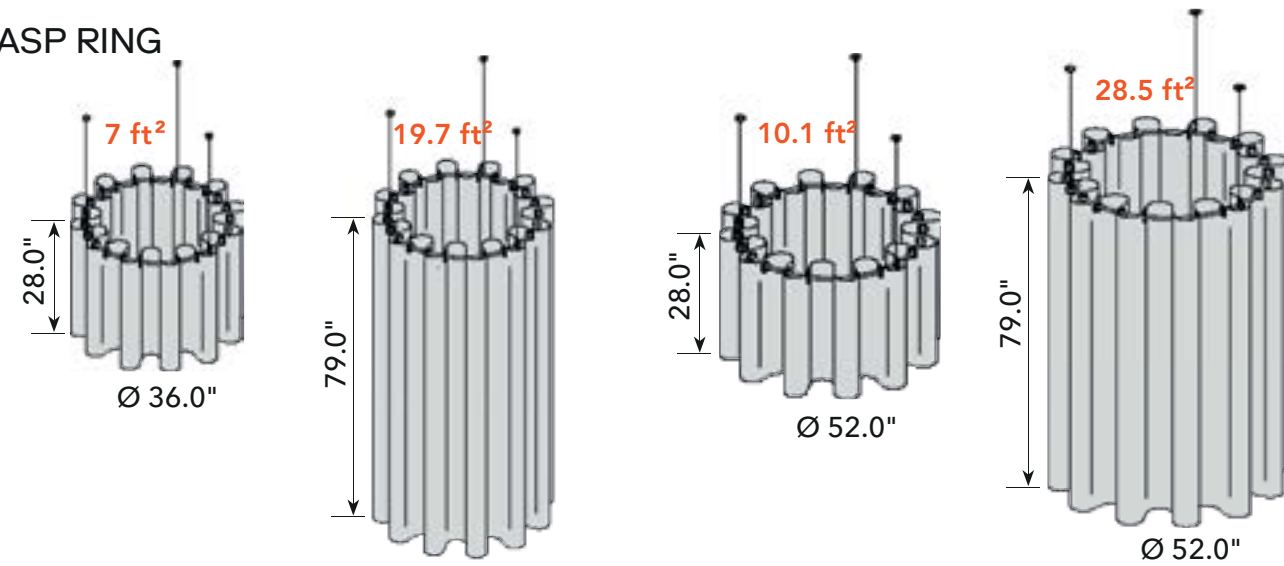


PRODUCT SIZE CHART

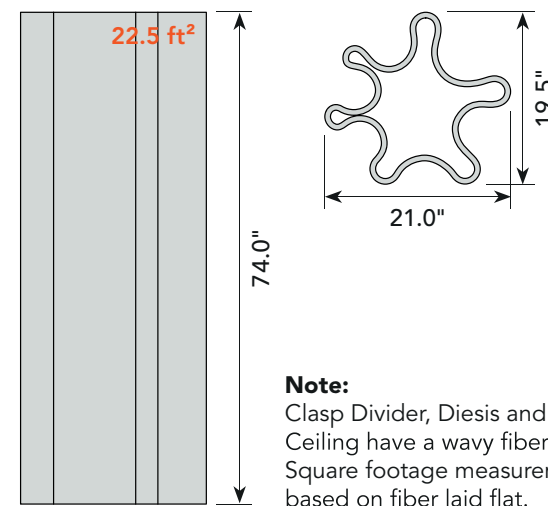
PERLINE



CLASP RING

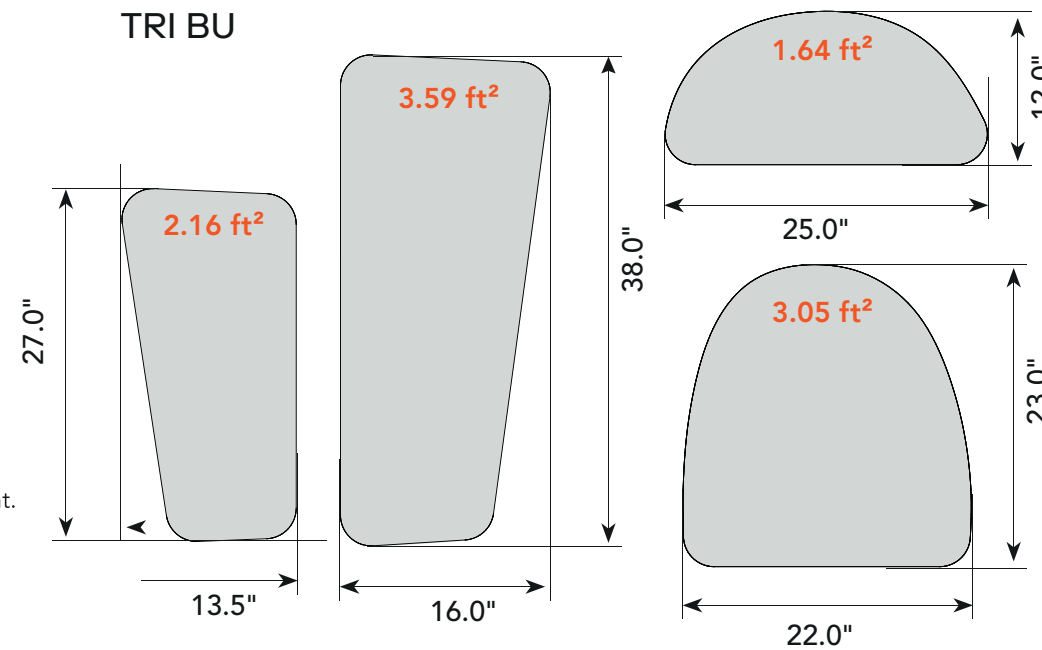


DIESIS/DIESIS CEILING

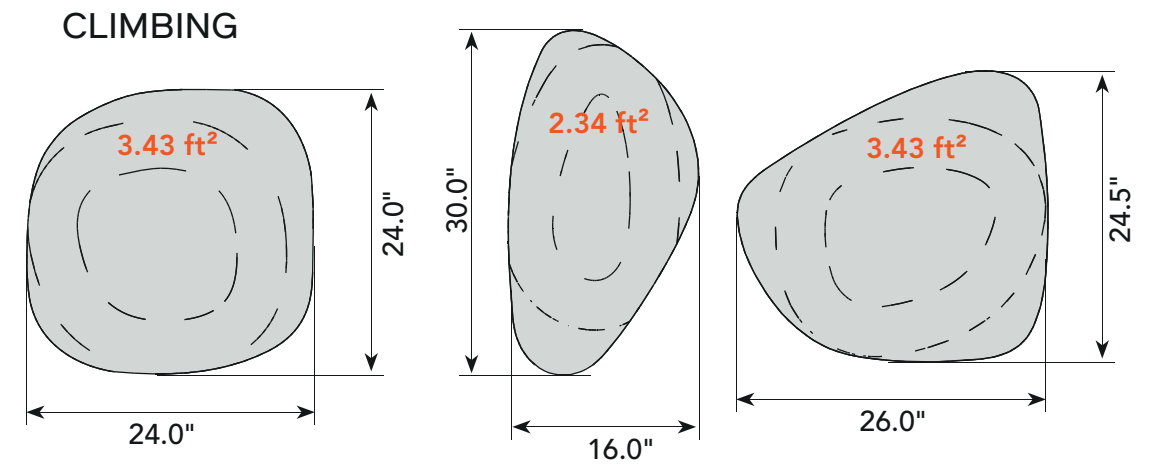


Note:
Clasp Divider, Diesis and Diesis Ceiling have a wavy fiber arrangement. Square footage measurements are based on fiber laid flat.

TRI BU

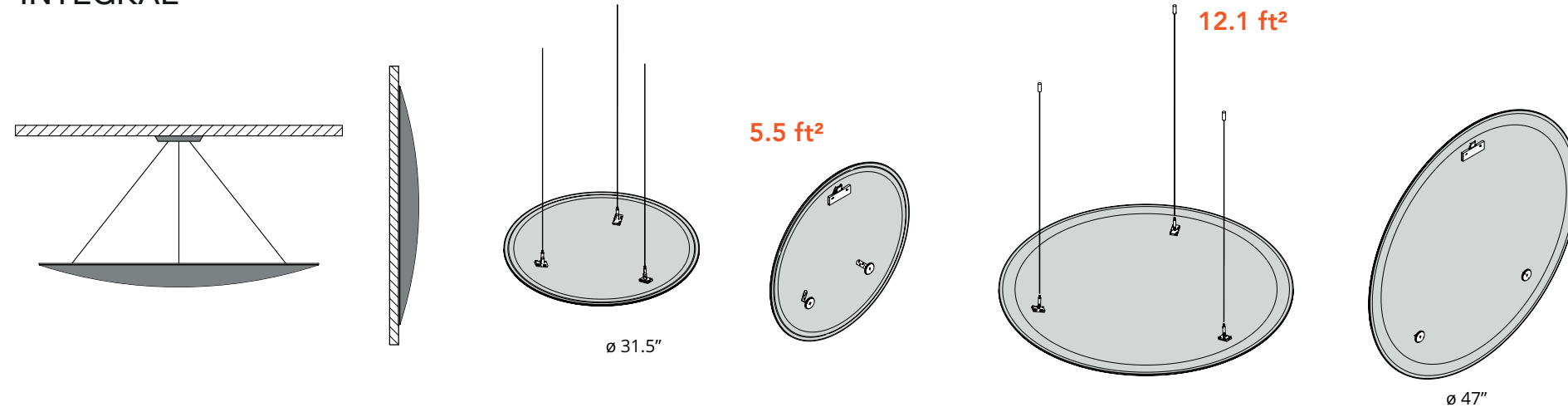


CLIMBING

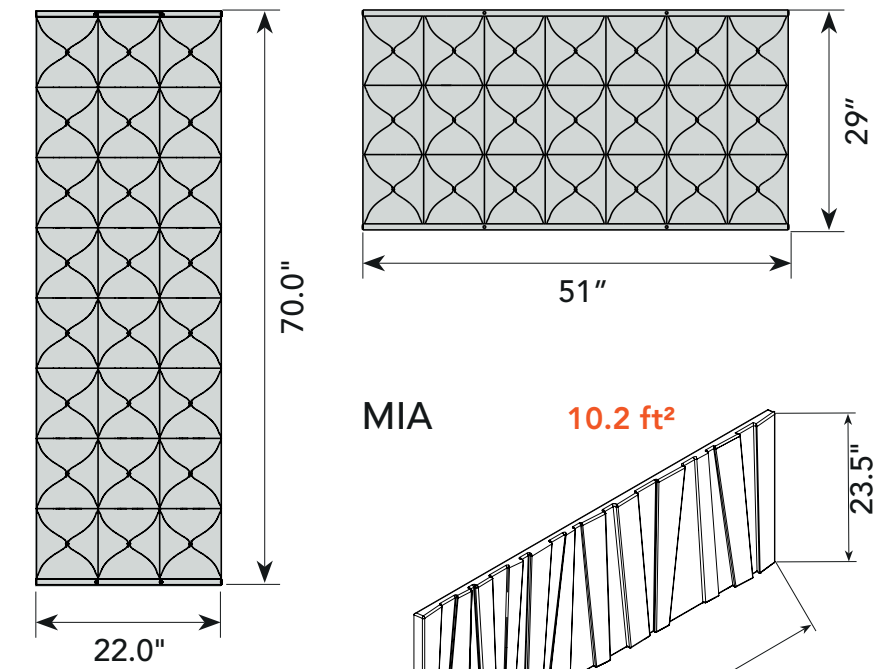


PRODUCT SIZE CHART

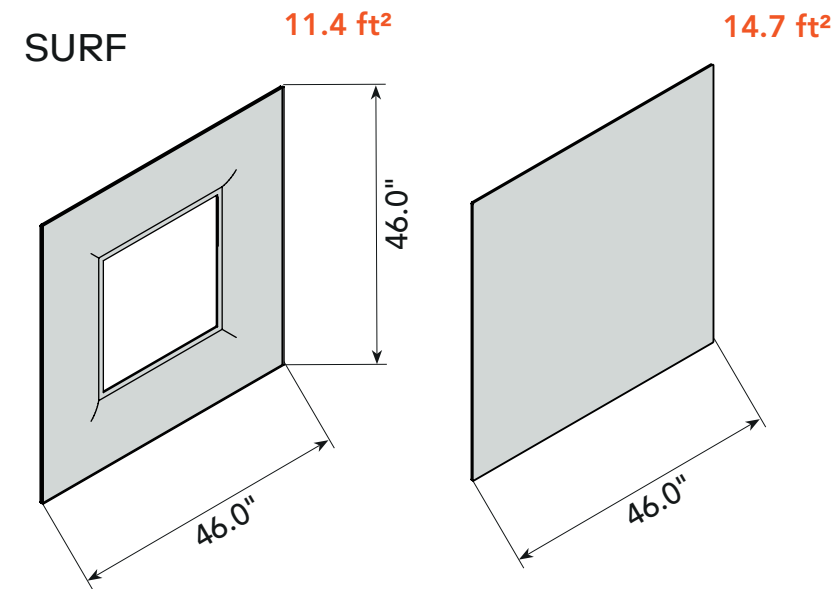
INTEGRAL



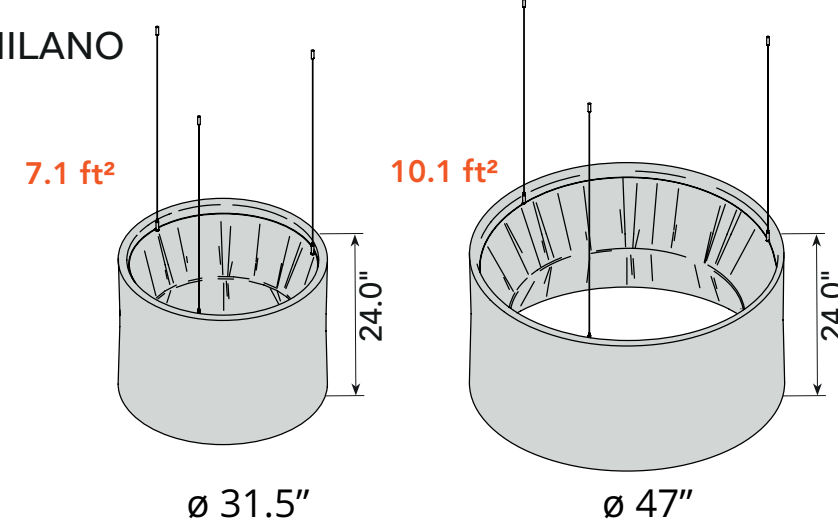
DUNES 10.0 ft²



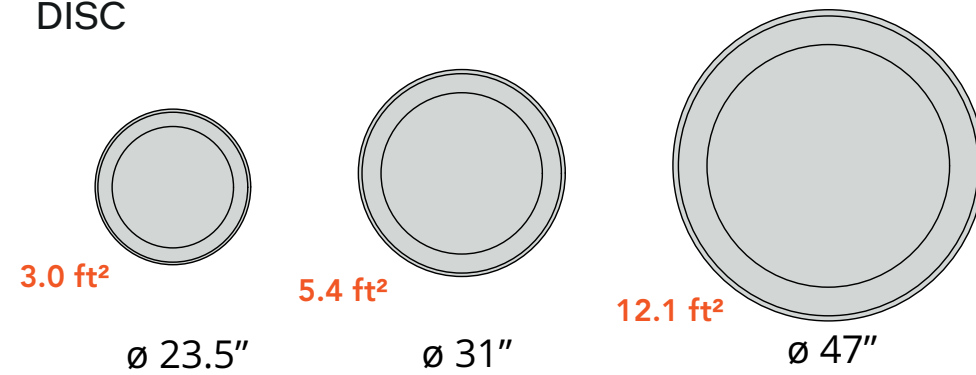
SURF



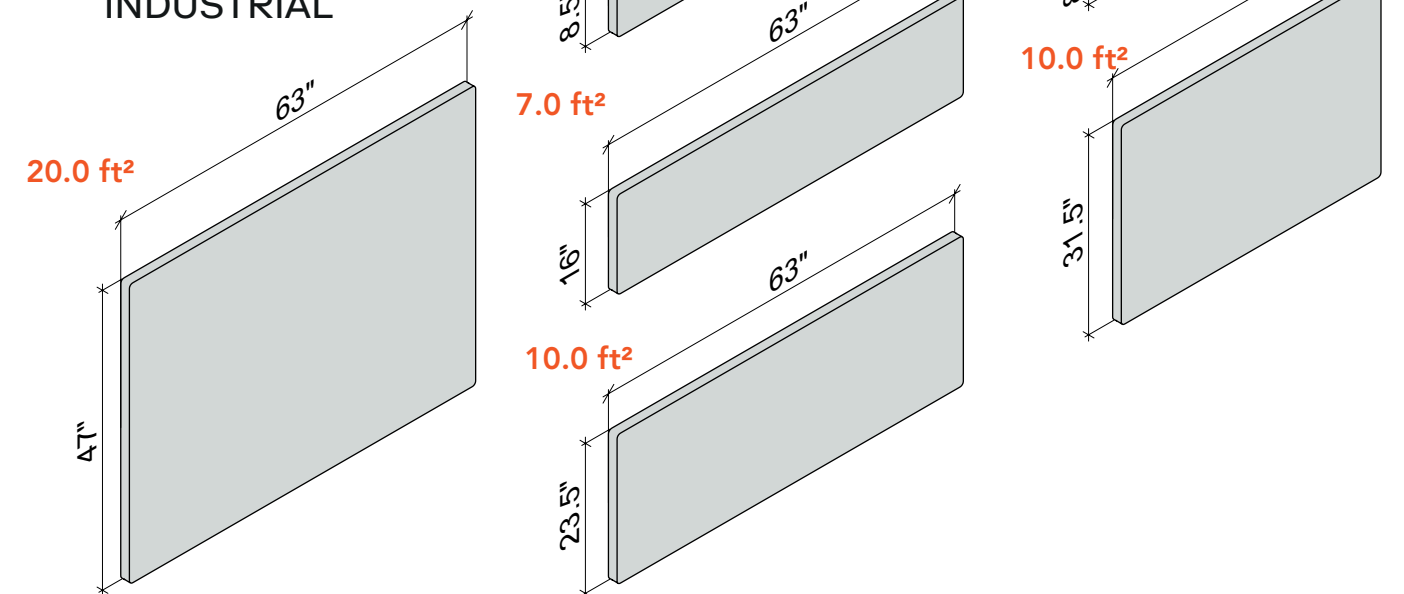
MILANO



DISC

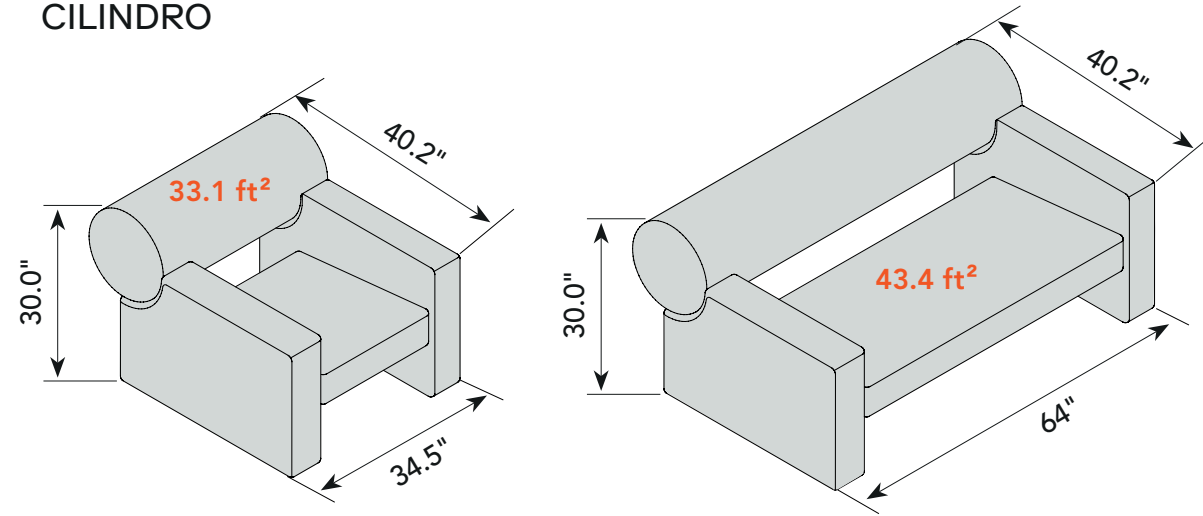


INDUSTRIAL

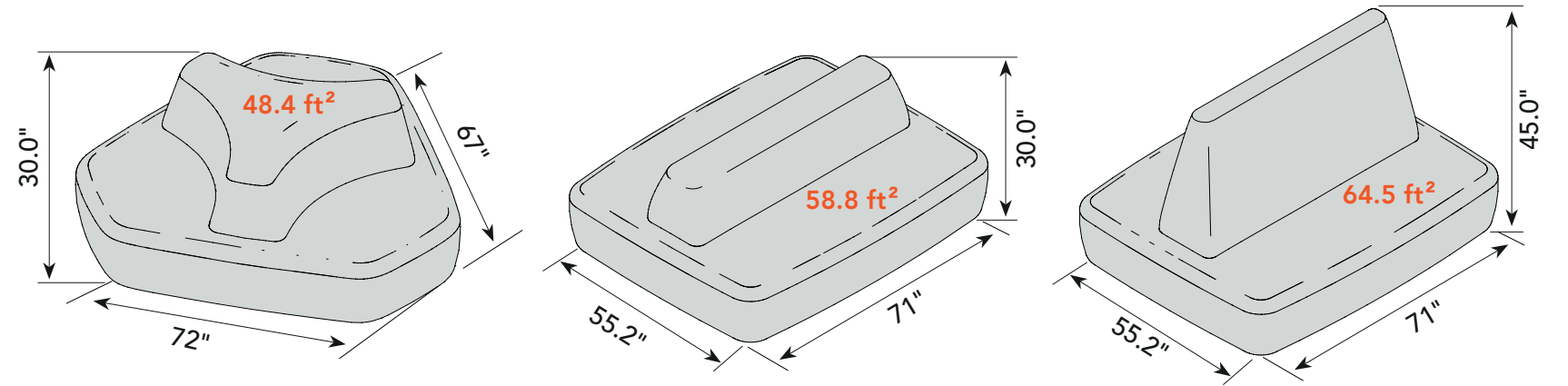


PRODUCT SIZE CHART

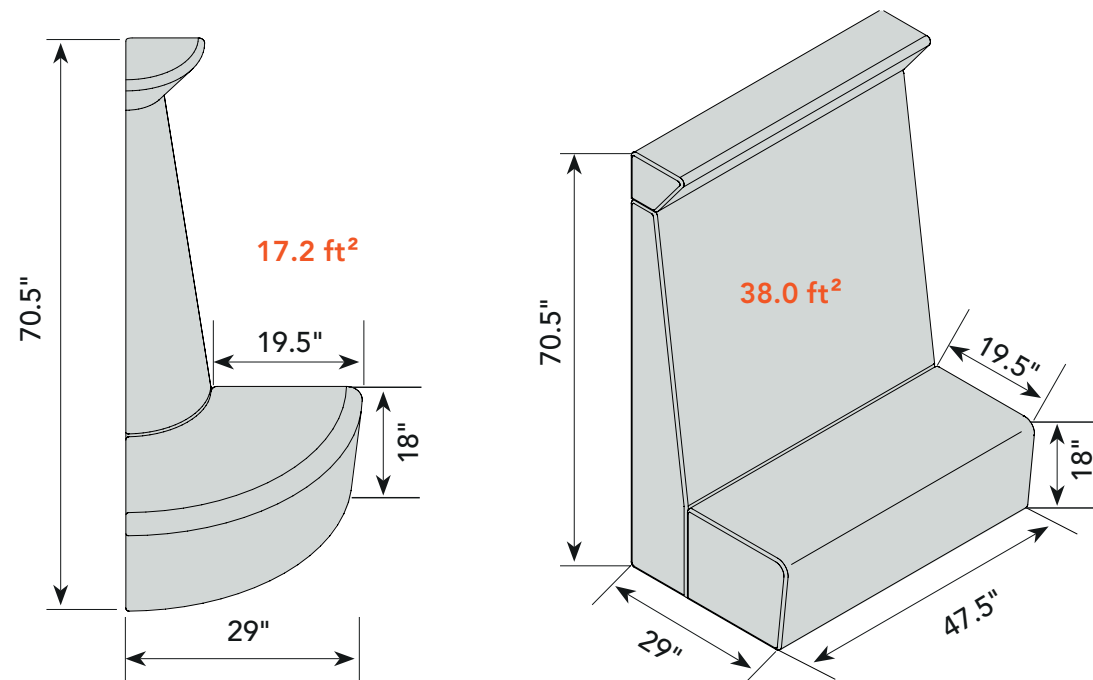
CILINDRO



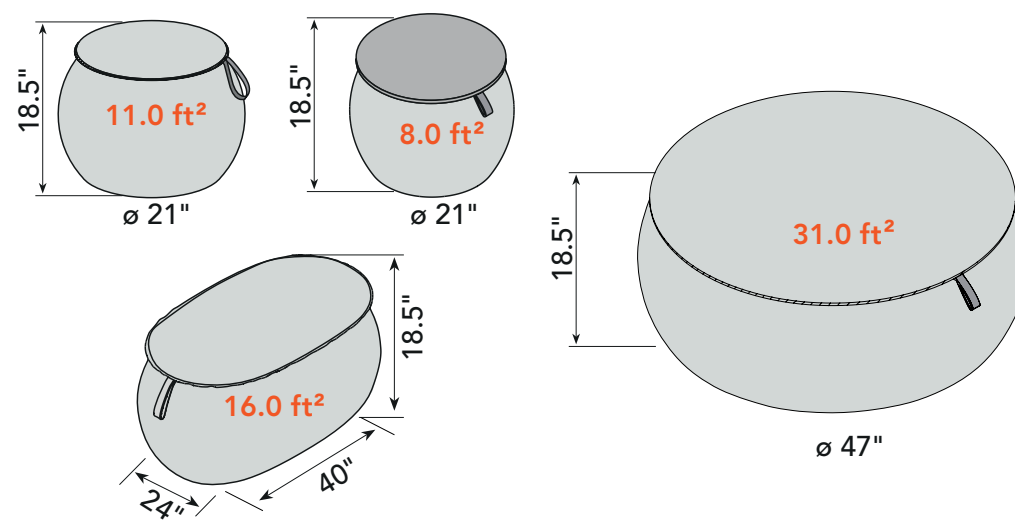
NAPWORK



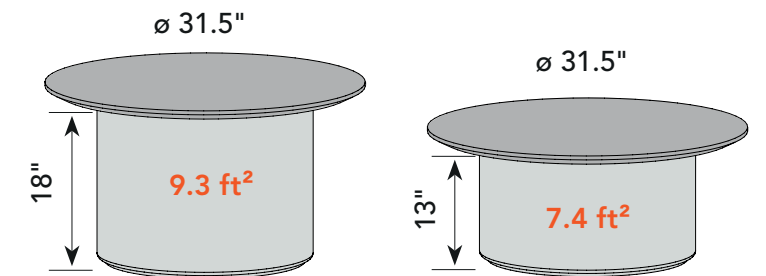
SNOWKING



SNOWPOUF

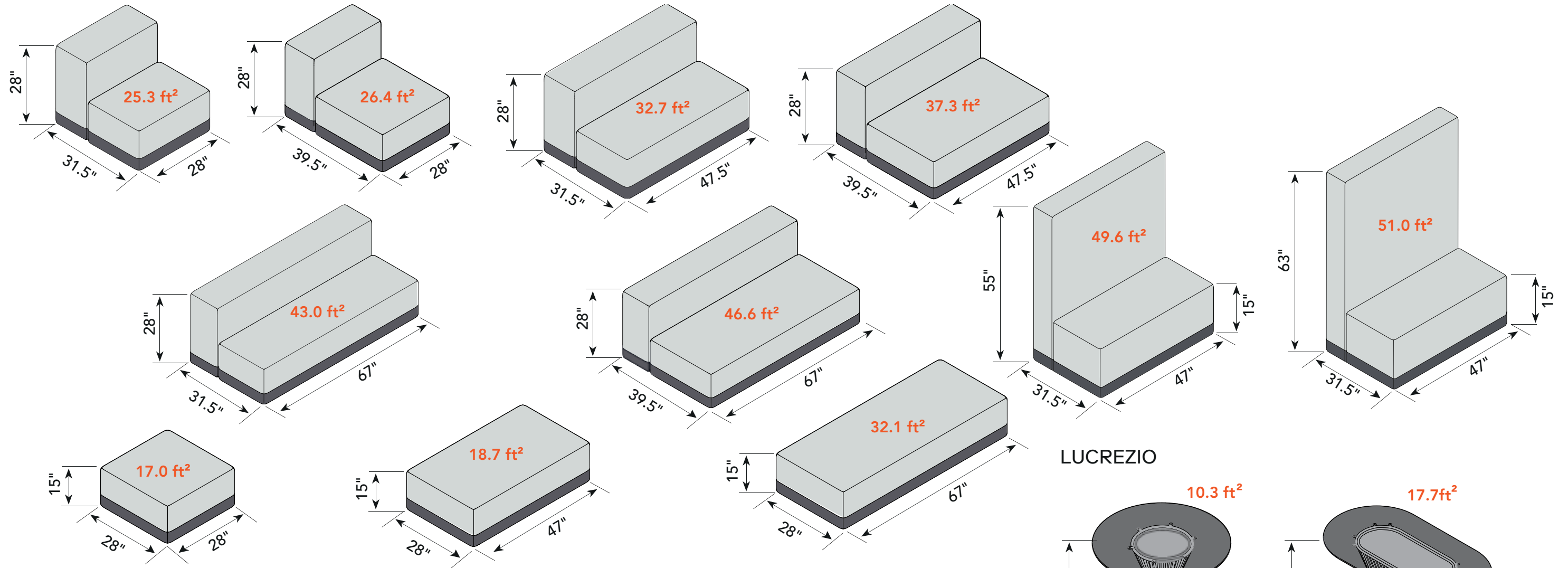


FULCRO

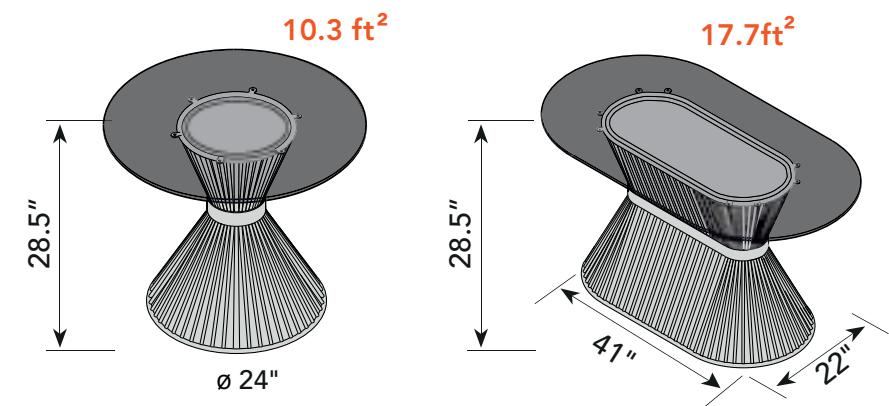


PRODUCT SIZE CHART

VOLUMI



LUCREZIO



TERMS & CONDITIONS

The following Terms and Conditions of Sale are applicable to products sold by Atlantic Inc. and Snowsound USA (Seller) and supersedes all previous Terms and Conditions of Sale.

DEFINITIONS

The term “Seller” as used herein shall refer to Atlantic Inc. and Snowsound® USA. The term “Buyer” as used herein shall refer to the customer designated as Bill-To on a Snowsound® Order Acknowledgement (“OA”) which contains or incorporates by reference these Standard Terms and Conditions for Sale. The terms “Product” or “Products” refer to the Goods or Services sold by Seller described on the Seller’s Order Acknowledgement. Where applicable, “Services” may refer to non-cancellable/non-returnable (NCNR) fabrication, design, model development and/or other services. The term “Contract” as used herein shall refer to the terms and conditions contained in this document.

ORDERS

Each order for products or services received from Buyer is subject to acceptance by Seller via an Order Acknowledgement. Terms or conditions not stipulated in this document are not binding to the Seller.

Order Changes. Buyer is liable for the costs of any changes to the goods, services, specifications, delivery schedule requested by Buyer and agreed to by Seller including, but not limited to, cancellation or restocking charges, non-recurring costs and other expenses, and disassembly labor costs.

NCNR. All non-standard goods, goods that require dedicated manufacture, fabrication, or resources for Buyer, including all special materials and supplies necessary to perform the work specified, are non-cancelable and non-returnable (“NCNR”).

ERRORS

Clerical errors including but not limited to price lists, quotations, specifications, Orders, Order Acknowledgements, printed documents, or publications are subject to change and/or correction and may be changed without notice.

EXCUSABLE DELAYS

In addition to any excuse provided by applicable law, Seller shall not bear any liability for delay, non-delivery or failure to perform any of its obligations herein arising from any event beyond Seller’s control, including but not limited to, delays of suppliers, governmental act or regulation, labor disturbance or strike, war, terrorism, epidemic, pandemic, fire, accident, adverse weather, inability to secure transportation, Seller’s inability to obtain materials, shortages of materials, and other causes or events beyond Seller’s control, whether or not similar to those enumerated above.

TERMINATION

Except as otherwise agreed in writing, Buyer does not have the right to terminate or reschedule any or all portions or installments of the Products covered by this contract without the written consent of Seller.

TERMS OF SALE

Buyer agrees to purchase, and Seller agrees to sell products specified in Seller’s Order Acknowledgement under the terms of this contract. Any terms or conditions in addition to or different from this contract asserted by Buyer as applicable to this transaction in a purchase order, on a web site or otherwise incorporated by reference (including general or special conditions, plans, specifications, drawings, samples, or quality standard), are not applicable and rejected by Seller. Buyer is solely responsible for determining suitability for the intended use of the product. Seller disclaims any liability for defects, loss of use, claim or injury arising out of the incorrect choice of a product for a particular use. Buyer shall be deemed to have agreed unless Buyer notifies Seller to the contrary in writing within ten (10) days of receipt of this document. If for any reason Buyer should fail to accept these terms in writing, any conduct by Buyer which recognizes the existence of a contract pertaining to the subject matter hereof, including payment and/or acceptance of Products, shall constitute an acceptance by Buyer of this contract and all of its Standard Terms and Conditions of Sale.

PRICES

Prices are subject to change without notice. Unless otherwise specified by Seller, prices confirmed in the Order Acknowledgement are honored for the original quantity purchased and do not include taxes or charges for transportation, insurance, special packaging, or marking.

PAYMENT

Payment is accepted via credit card, wire transfer, or check. Checks are accepted subject to collection. The date of collection is deemed the date of payment. Any check received from Buyer may be applied by Seller against any obligation owing by Buyer to Seller, under this or any other contract, regardless of any statement appearing on or referring to such check, without discharging Buyer’s liability for any additional amounts owing by Buyer to Seller; and the acceptance by Seller of such check shall not constitute a waiver of Seller’s right to pursue the collection of any remaining balance. Buyer agrees to pay the entire amount of each invoice rendered by Seller pursuant to the terms of each invoice without offset or deduction.

PAYMENT TERMS

Standard payment terms are Payment in Full prior to shipment. In certain circumstances, a Buyer who has sufficient history of prior purchases may request and Seller may extend credit terms.

The following additional terms are applicable:

Buyer must submit a credit application and provide references. The application process may take up to 30 days to process and is subject to approval by Seller. Buyer agrees to keep the account current and agrees to pay each invoice according to its terms from the date of invoice. Buyer agrees to provide funds in advance if their account has large disbursements that exceed the established credit limit.

Costs Not Subject to Credit Terms: Orders with product value (not including freight or other invoiced services) of less than \$2,500. Expediting fees and/or NCNR fees. Deposits required for custom or large volume orders that require dedicated manufacture. The amount of credit extended to the Buyer is subject to periodic review and any decision to increase, decrease or revoke the amount of credit granted to the Buyer shall be at the sole discretion of the Seller. If Seller believes in good faith that Buyer's ability to make timely payments have become an extraordinary risk, Seller may cancel credit terms without incurring any liability. Buyer remains liable to pay for any goods already shipped. In the event that the Buyer fails to keep the account current, all amounts owed by the Buyer shall immediately become due and payable. Failure by Buyer to pay the invoiced price when due shall give Seller the unlimited right, without liability, to take possession of the Products, with or without notice, and to have all of the remedies of a secured party under the California Commercial Code. In addition, Seller, at its option by giving written notice to Buyer of its election to do so, may cancel any undelivered portions thereof and/or demand immediate payment of all outstanding invoices of Buyer. All rights and remedies of Seller shall be cumulative and may be exercised successively or concurrently without impairing Seller's security interest in the goods. Buyer agrees to pay Seller reasonable attorneys' fees and legal expenses incurred by Seller in exercising any of its rights and remedies upon default in such amount as is permissible under law. All the foregoing is without limitation or waiver of any other rights or remedies available to Seller according to law or otherwise.

TAXES

Unless otherwise agreed in writing, Buyer shall be responsible for the payment of any and all federal, state, and local sales, use, and excise taxes and all other taxes and charges assessed in connection with sales made under this contract.

SHIPMENT

Shipping Terms for all orders are FOB Warehouse Santa Fe Springs, CA (SFS,CA) unless otherwise specified in Seller's Order Acknowledgement. In the absence of specific instructions, Seller will select the carrier. Title to the goods shall pass to Buyer upon delivery to the carrier. Transportation, handling, and insurance are at the cost of the Buyer from the FOB point designated in Seller's Order Acknowledgement. Claims of shipping damage must be made within 5 working days of receipt of goods. Goods held for Buyer or stored for Buyer, shall be at the risk and expense of Buyer. Claims against Seller for shortages must be made within 10 days of goods receipt.

DELIVERY

All delivery dates are approximate. Seller will use reasonable efforts to fill orders according to the delivery dates acknowledged by Seller. Delivery may be made in installments upon consent of Buyer. Default or delay by Seller in shipping or delivering the whole or any part or installment of the goods or services under this contract shall not affect any other portion thereof.

PRODUCTS

All sales are considered final, irrespective of shipping errors by Seller or a claim of defect by Buyer. Returns or exchanges will not be received by Seller without a Returned Goods Authorization number. Returned goods must be in the original packaging. Returned products may be subject to a restocking fee. Products are warranted as described in Seller's Warranty. Seller reserves the right to alter construction of materials, the technical and visual characteristics and also the dimensions of the products at its own discretion and without prior notice. Seller reserves the right to discontinue parts and colors. Slight color differences between production lots are considered normal, within the usual tolerances accepted for industrial production. In consideration of the nature of Snowsound Fiber products, although the seller strives to maintain high levels of quality, three defects are acceptable every 27.3 yards on rolls up to 150cm/59 inches wide and twice as many defects per roll with a width of more than 280 cm/110 inches; the seller reserves the right to discount, for each defect found, a quantity of material considered suitable to compensate for the proven defect. No returns are accepted for products and/or pieces cut to size. Buyer is responsible for ensuring a suitable installation plan. The Products must be assembled and/or installed exclusively by skilled technical personnel, using instruments and tools appropriate for this purpose. Prior to installation, Buyer is responsible for confirming the weight bearing capacity of the wall, ceiling, floor, or surface on which the products will be positioned as well as determining the means and method to anchor products. The products are not suitable for use by children. The products are not suitable for installation or use in exterior locations. Suitable attachment devices must be used to affix the products to the wall, ceiling, or floor surfaces, which are strong enough to withstand the weight of the product and qualified load. Suitable supporting elements for each individual unit must be used. Read and follow the instructions enclosed with the product before proceeding with assembly and installation. Pay particular attention to the warnings and the explanatory drawings shown in the provided instructions. If instructions are not immediately available, Buyer must contact the Seller to obtain instructions. Any storage, installation or assembly instructions or manuals which Seller provides for its products are incorporated by reference into these Terms. Never exceed the loads indicated. Incorrect installation and/or weights exceeding the maximum loads described in the product instructions can result in collapse, damage to mounting surfaces, and injury.

INTELLECTUAL PROPERTY AND OWNERSHIP RIGHTS

The drawings, models, graphs and other technical information related to the products being sold, samples, catalogs, photographs and similar materials remain the intellectual property of the Seller and may not be copied or transmitted to others or used in any other way. Unless otherwise mutually agreed in writing, the design, development or manufacture by Seller of goods and services for Buyer shall not be deemed to create a "work made for hire" and shall not give to the Buyer any patent, copyright or any other intellectual property right interest in the goods or services, or any portion thereof. All such rights shall remain the property of Seller. Buyer perpetually and non-exclusively licenses to Seller any photographs or other digital images taken of Seller's product, in-process or fully installed systems regardless of what other products may appear in the images, to use as part of Seller's marketing materials and for any other use. Seller will have the right to purchase any photographs of Seller's products or systems taken by any photographer hired by Buyer.

DISCLAIMER FOR CRITICAL APPLICATIONS

Products are not intended or authorized for installation contrary to instructions provided. If Buyer or Buyer's customers use or permit the use of products for such unintended or unauthorized uses, Buyer agrees to fully indemnify and hold harmless the Seller, its officers, employees and distributors, from all liability related to such use, including attorneys' fees and costs.

LIMITATION ON ACTIONS

Buyer and Seller agree that attempts to resolve disputes arising out of or in connection performance, nonperformance, or termination of any Order will start with negotiation between the parties. To initiate dispute resolution, a Party shall send written notice describing the dispute with reasonable particularity to the other party ("Dispute Notice").

The failure to seek redress for any breach or violation of, or to insist upon the strict performance of any covenant or condition of these terms is not a waiver of any subsequent breach or violation. The receipt of any payment with knowledge of any breach by the buyer of these terms shall not be deemed to waive such breach. Any waivers of any breach of violation of these terms must be in writing.

No action, regardless of form, arising out of this contract may be brought by either party more than one year after the cause of action arose, with the exception of collection of non-payment.

ARBITRATION

If the negotiations required by the preceding paragraph have not been resolved the dispute after at least sixty (60) days from the date of receipt of the Dispute Notice either party may terminate the negotiations and submit each dispute to arbitration. If either party does not voluntarily submit to arbitration or the parties cannot agree on an arbitrator, the other party may commence an action to compel arbitration and/or judicial selection of the arbitrator. An arbitrator recognized by the California State Bar shall conduct the arbitration. The arbitration shall be conducted in Los Angeles County, California, and the decision shall be binding on the parties. Information obtained by either party during the course of the arbitration shall be kept confidential and may not be used except in connection with the arbitration proceeding. The arbitrator shall not have authority to award to either party incidental, indirect, special, exemplary or consequential damages or for lost profits, savings or revenues of any kind, whether or not the other party has been advised of the possibility of such damages. The arbitrator shall not have the authority to invalidate or to modify any of these Terms. The prevailing party in any arbitration (or any other legal proceeding) shall be entitled to reimbursement from the other party of all costs of the arbitration (or other legal proceeding, respectively), including, but not limited to, filing fees and expenses, arbitrator fees and expenses, witness fees and expenses, and reasonable attorneys' fees and expenses. The arbitrator shall issue a ruling within ten (10) days of the last date of any hearing held with respect to the disputed issues. If the party against whom the award is made does not comply with the award within ten (10) court days of the making of the award, the prevailing party may apply to the Superior Court of the State of California for a judgment or other order enforcing the award.

BY AGREEING TO FINAL AND BINDING ARBITRATION, EACH PARTY IS WAIVING ITS RIGHT TO (A) A TRIAL BY JURY OR A JUDGE, IN A STATE OR FEDERAL COURT, (B) FINDINGS OF FACT AND USE OF THE RULES OF EVIDENCE PURSUANT TO THE CALIFORNIA EVIDENCE CODE OR THE FEDERAL RULES OF EVIDENCE, (C) AN APPEAL (EXCEPT ONE IN LIMITED CIRCUMSTANCES AND LIMITED IN SCOPE), AND (D) FORMAL DISCOVERY RIGHTS WHICH PARTIES TO A LAWSUIT GENERALLY HAVE. GOVERNING LAW AND VENUE

This contract shall be construed and interpreted in accordance with and governed by the laws of the State of California, excluding its conflict of law rules. The parties hereby agree that the state and federal courts with jurisdiction over disputes arising in Los Angeles County, California will have exclusive jurisdiction over any matter arising under this contract. Notwithstanding the foregoing, Seller may at its sole discretion, bring suit to enforce its rights under these Terms in the venue and under the governing law of any jurisdiction in which action or inaction of the Buyer is sought or in which Seller-owned assets are located.

SNOWSOUND

SNOWSOUND USA HQ
Snowsound USA
10018 Santa Fe Springs Road
Santa Fe Springs, CA 90670
Tel. 562.903.9550
info@snowsoundusa.com
www.snowsoundusa.com



Declare.

LOS ANGELES SHOWROOM
Pacific Design Center
Green Building, Suite G-152
8687 Melrose Ave
West Hollywood, CA 90069

CHICAGO SHOWROOM
222 Merchandise Mart Plaza
Floor 11, Suite 1197
Chicago, IL 60654 USA

NEW YORK SHOWROOM
New York Design Center (NYDC)
200 Lexington Ave
Floor 11, Suite 1106
New York, NY 10016 USA

©2024 Snowsound USA. All rights reserved.
Follow us: @snowsoundusa

