

FLOAT



FLOAT

FLOAT Panels constitute a modular sound-absorbing system crafted with polyester internal padding featuring Snowsound® Technology variable density. They are covered with Trevira CS® fabric. Thanks to their minimalist design and numerous compositional possibilities, Float panels provide elegant and functional solutions suitable for both small and large spaces.

Specs	Polyester internal padding with SNOWSOUND technology, polyester covering in Trevira CS® fabric
	Single material and 100% recyclable
	Eco friendly – Greenguard Gold
	Durable, tackable double-sided surface
	Patented variable density composition
	Class A sound absorption with NRC 1.0 (ISO 354/ASTM C423/ISO 11654)
	Absorbs 94% of human speech frequencies
	Class A fire and smoke safety (UL 723/ASTM E84)
	CAL 133, 117 pass
	Sleek profile at only 1.4” thick
Ceiling suspended	
CE certified for ceiling application	
Design	Alberto and Francesco Meda

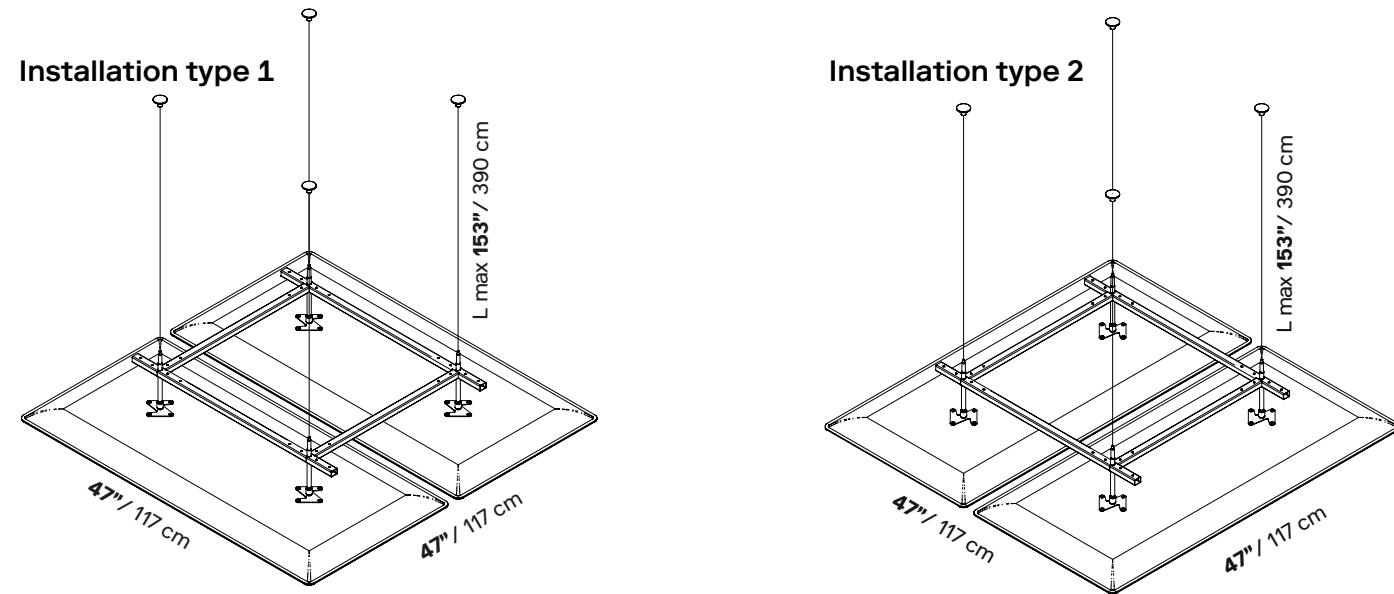


FLOAT COMPLETE KIT

Call your representative for stock levels and availability

STARTING MODULE 2 PANEL 47" X 47"

For ceiling suspended mounting

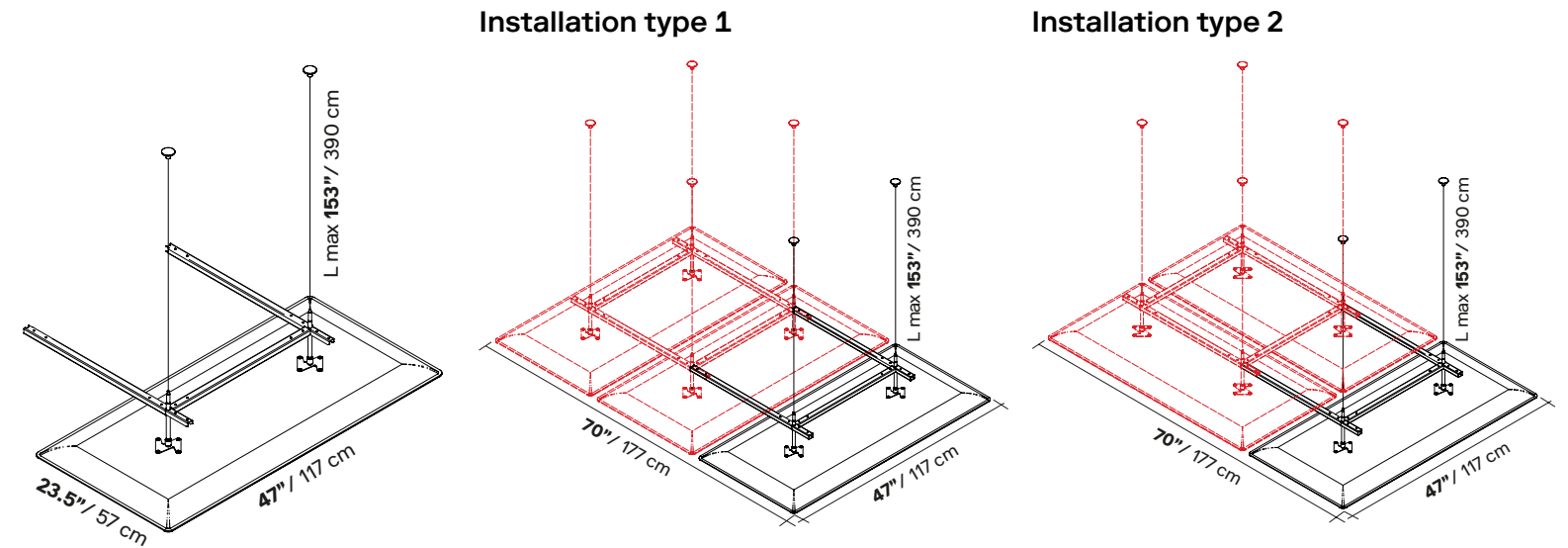


Color	Part No
White	40051069
	Special Order Color MOQ: 50

Kit includes
02 Adjustable panels
04 Suspension cables
04 Ceiling plates
01 Ceiling frame
02 Hangings

ADDER MODULE - SINGLE UNIT 1 PANEL 23.5" X 47"

For ceiling suspended mounting



Color	Part No
White	40052007
	Special Order Color MOQ: 60

Kit includes
01 Adjustable panels
02 Suspension cables
02 Ceiling plates
01 Ceiling frame
02 Hangings

For larger swatches & full color options, please refer to pages 32–34.

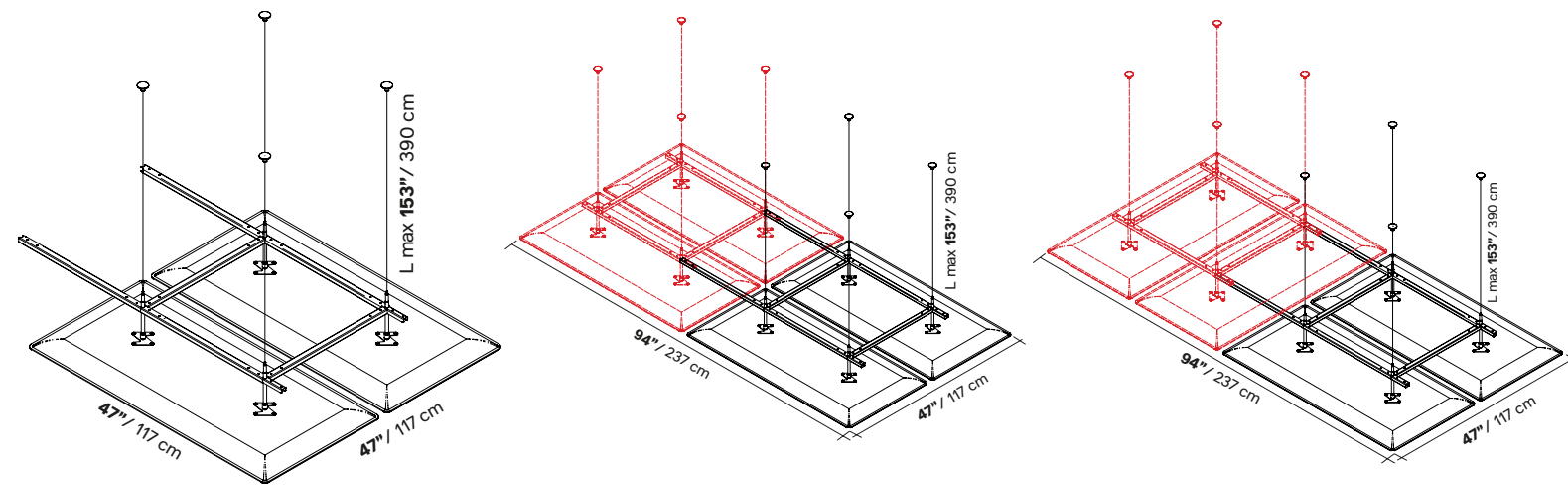
Panels available in special order colors. Special order colors require:

- MOQ varies from size to size,
- Lead time up to 14–16 weeks
- +10% Custom service fee

FLOAT COMPLETE KIT

ADDER MODULE - DOUBLE UNIT 2 PANEL 47" X 47"

For ceiling suspended mounting



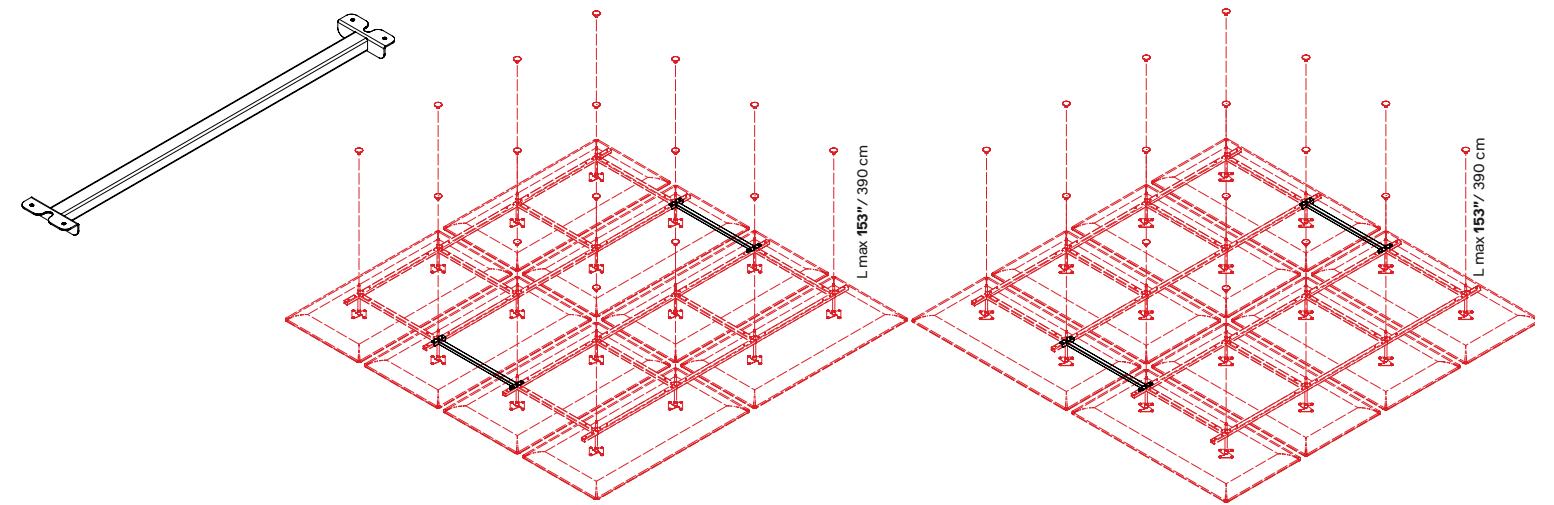
Color	Part No
White	40052008
	Special Order Color MOQ: 60

Kit includes	02 Adjustable panels
	02 Suspension cables
	02 Ceiling plates
	01 Ceiling Frame
	04 Hangings

Please refer to larger swatches & full color options on pages 18–20.
Panels available in special order colors.

CONNECTOR JOINT

Examples of using connector joint spacer



Part No	40052006
QTY	01
Finish	Chrome

Special order colors require:
– MOQ varies from size to size
– Lead time up to 14–16 weeks
– +10% Custom service fee

FLOAT CEILING TYPICALS

Part No

40051069 + 40052008

QTY

01 Starting Module + 03 Adder Module

