

FLAT/FLAT LUX/FLAT TOTEM



FLAT/FLAT LUX/ FLAT TOTEM



FLAT WALL / CEILING MOUNT

Equipped with a chrome-plated metal plate for wall or ceiling fixing, the panel can be tilted in any direction and can rotate 360 degrees. Despite their irregular shape, the panels can form innumerable combinations, including rectangles and squares.

FLAT TOTEM

This divider is composed of 12 FLAT panels set against each other and supported by a chrome-tubular steel structure mounted on a painted metal base. The panels, characterized by their flat front surface, can be tilted and rotated.

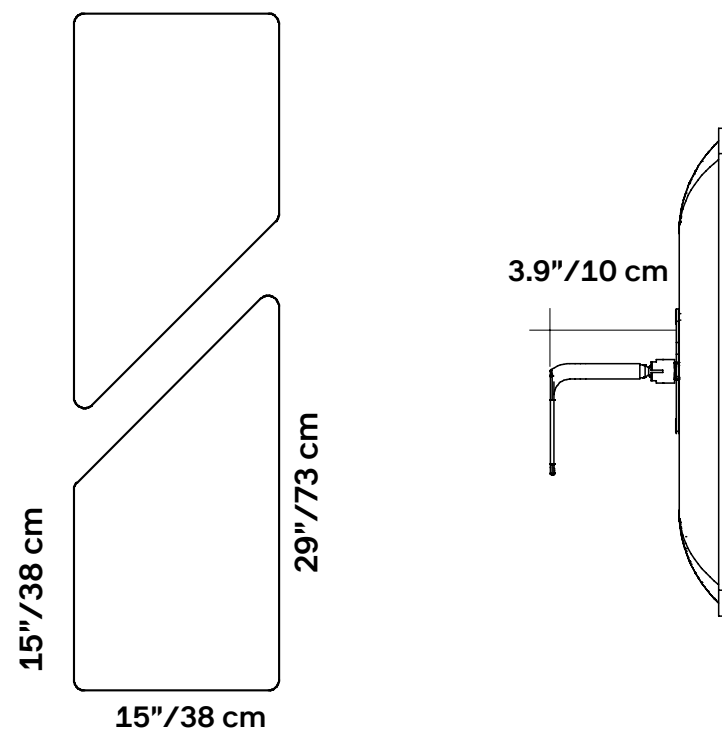
Specs	Polyester internal padding with SNOWSOUND technology,
	polyester covering in Trevira CS® fabric
	Single material and 100% recyclable
	Eco friendly – Greenguard Gold
	Durable, tackable double-sided surface
	Patented variable density composition
	Class A sound absorption with NRC 1.0
	(ISO 354/ASTM C423/ISO 11654)
	Absorbs 94% of human speech frequencies
	Class A fire and smoke safety (UL 723/ASTM E84)
	CAL 133, 117 pass
	Sleek profile at only 1.4” thick
	Ceiling mounted/Wall mounted/Freestanding
Design	Alberto and Francesco Meda

FLAT/FLAT LUX/FLAT TOTEM WALL/CEILING COMPLETE KIT

Call your representative for stock levels and availability

15" X 15" X 29" PANELS

For direct surface mounting on wall or ceiling.

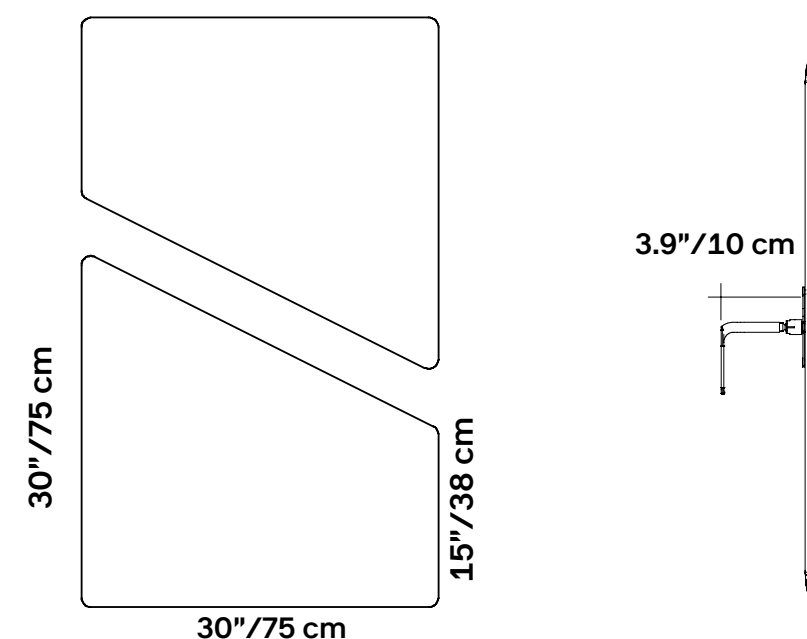


Color	Part No	Kit includes	
White	40036259	02 Flat panels 02 3" brackets	
	Special Order Color MOQ: 45		

For larger swatches & full color options, please refer to pages 32–34.

15" X 30" X 30" PANELS

For direct surface mounting on wall or ceiling.



Color	Part No	Kit includes	
White	40036258	02 Flat panels 02 3" brackets	
	Special Order Color MOQ: 30		

Panels available in special order colors. Special order colors require:

- MOQ varies from size to size
- Lead time up to 14–16 weeks
- +10% Custom service fee

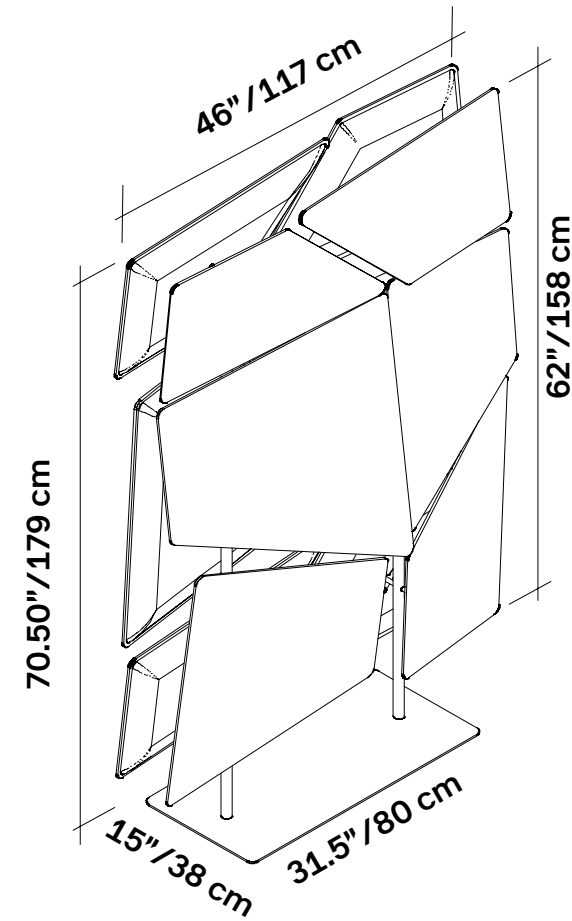
FLAT/FLAT LUX/FLAT TOTEM WALL/CEILING COMPLETE KIT



Equipped with chrome-plated metal plate for wall fixing. The panel can be tilted in any direction and can rotate 360 degrees. Despite their irregular shape, the panels can create innumerable combinations, including rectangles and squares.

FLAT TOTEM KIT

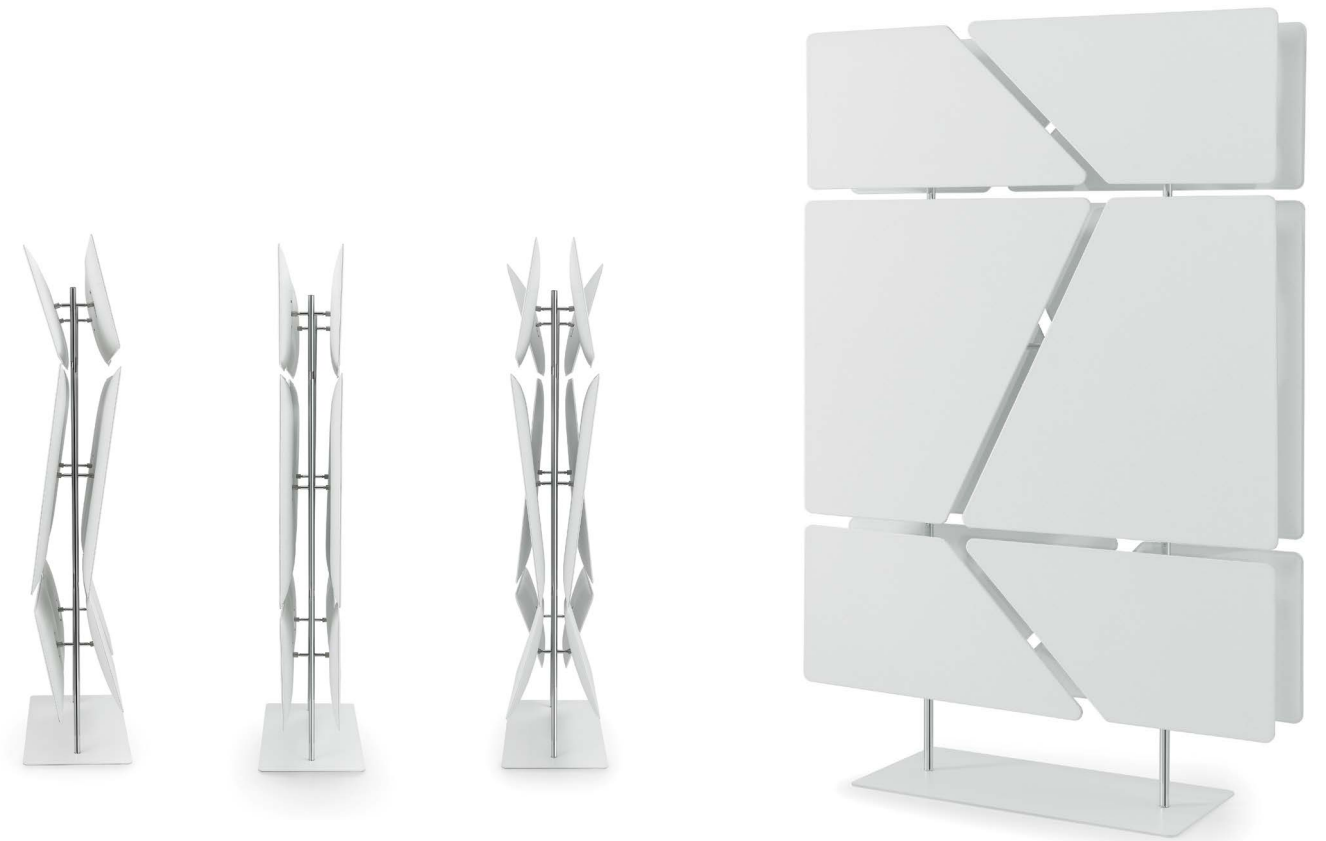
Call your representative for stock levels and availability



Color	Part No
White	40036260

For direct surface mounting on wall.

Kit includes	04 pairs (15" x 15" x 29") small panels
	02 pairs (15" x 30" x 30") large panels
	(12 panels total) with stand.



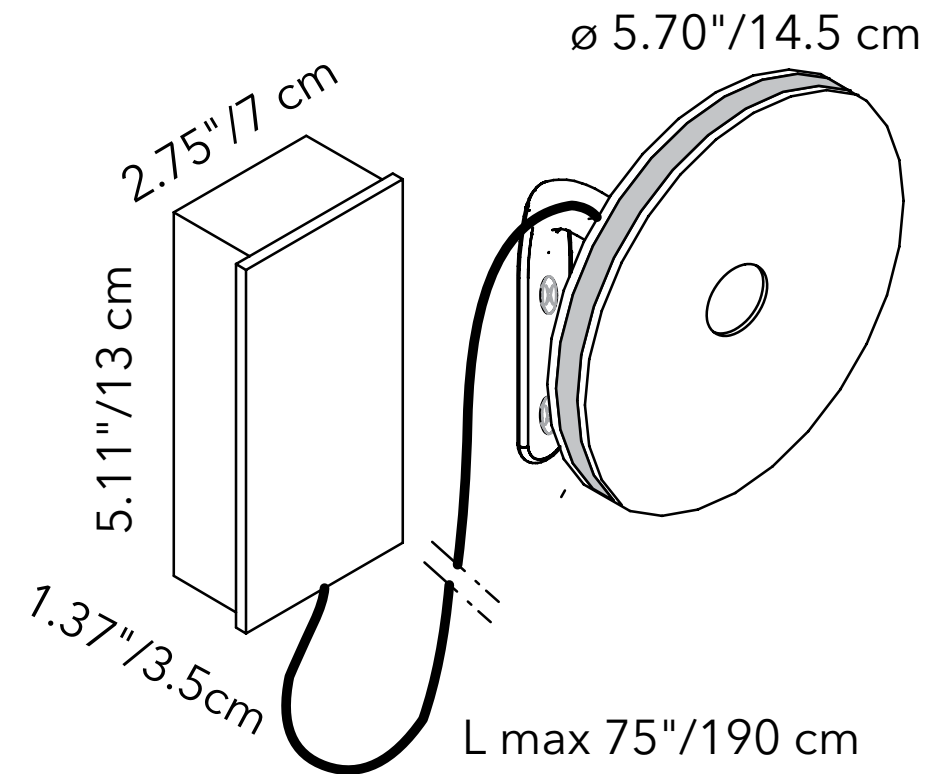
For larger swatches & full color options, please refer to pages 32–34.

FLAT LUX

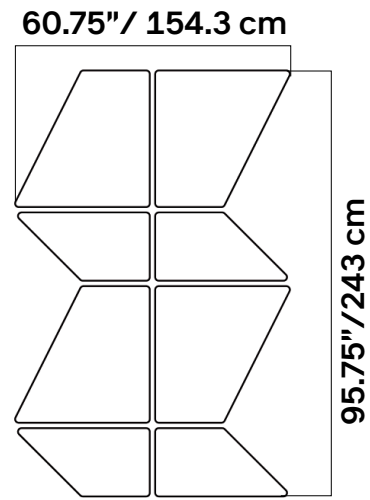
FLAP LED KIT - 4 LIGHT PACK

Led back lighting system for Flap and Flap Grande
LED (6 W – 3000° K) Complete with power supply

Led	Single Light	04 Light pack
Part No	40025093	40025092
QTY	01 Kit	01 Kit

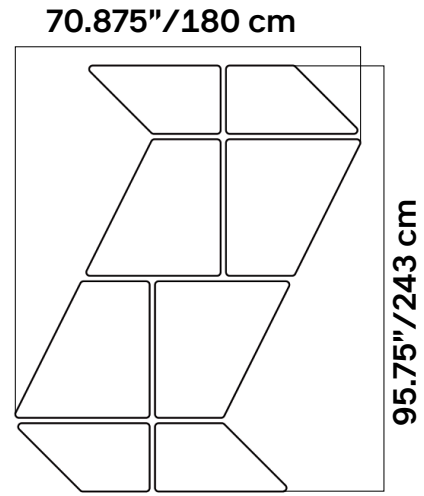


FLAT WALL/CEILING TYPICALS



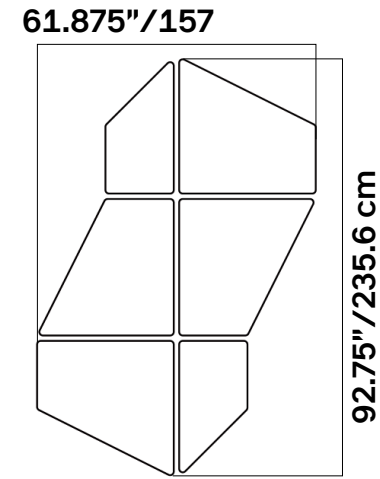
Part No 40036259
02 FLAT SMALL (PAIR)

Part No 40036258
02 FLAT LARGE (PAIR)



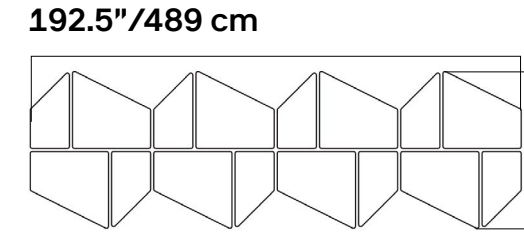
40036259
02 FLAT SMALL (PAIR)

40036258
02 FLAT LARGE (PAIR)



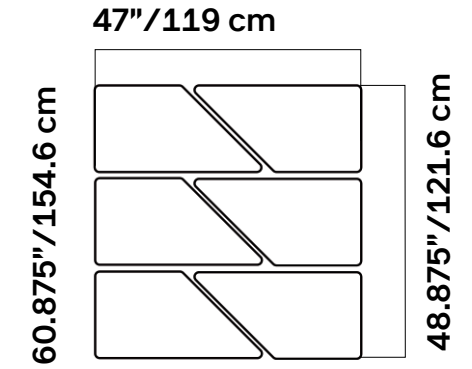
40036259
01 FLAT SMALL (PAIR)

40036258
02 FLAT LARGE (PAIR)

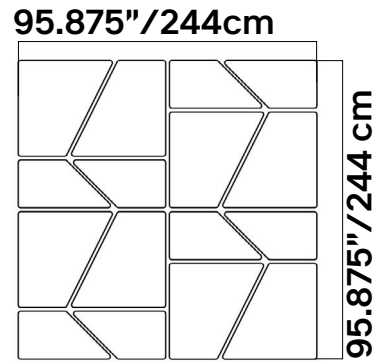


40036259
04 FLAT SMALL (PAIR)

40036258
04 FLAT LARGE (PAIR)

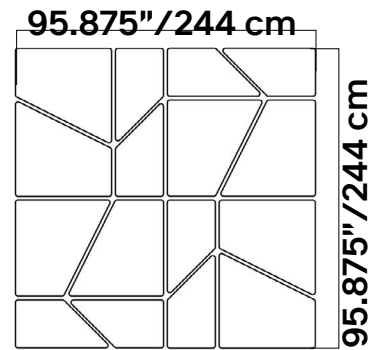


40036259
03 FLAT SMALL (PAIR)



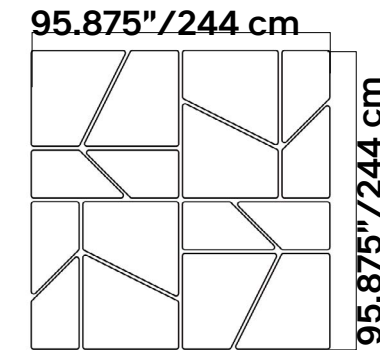
Part No 40036259
04 FLAT SMALL (PAIR)

Part No 40036258
04 FLAT LARGE (PAIR)



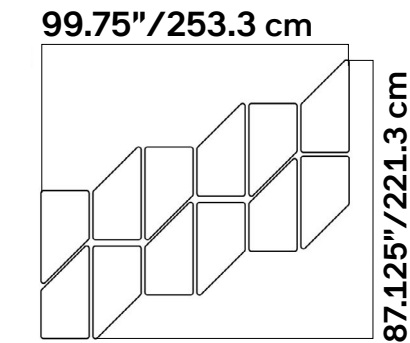
40036259
04 FLAT SMALL (PAIR)

40036258
04 FLAT LARGE (PAIR)



40036259
04 FLAT SMALL (PAIR)

40036258
04 FLAT LARGE (PAIR)



40036259
06 FLAT SMALL (PAIR)

FLAT WALL/CEILING TYPICALS

Note: Approximate 2" (5 cm) gap between panels for spacing

Angled inward/outward



Flat



Rotated/ tilted

