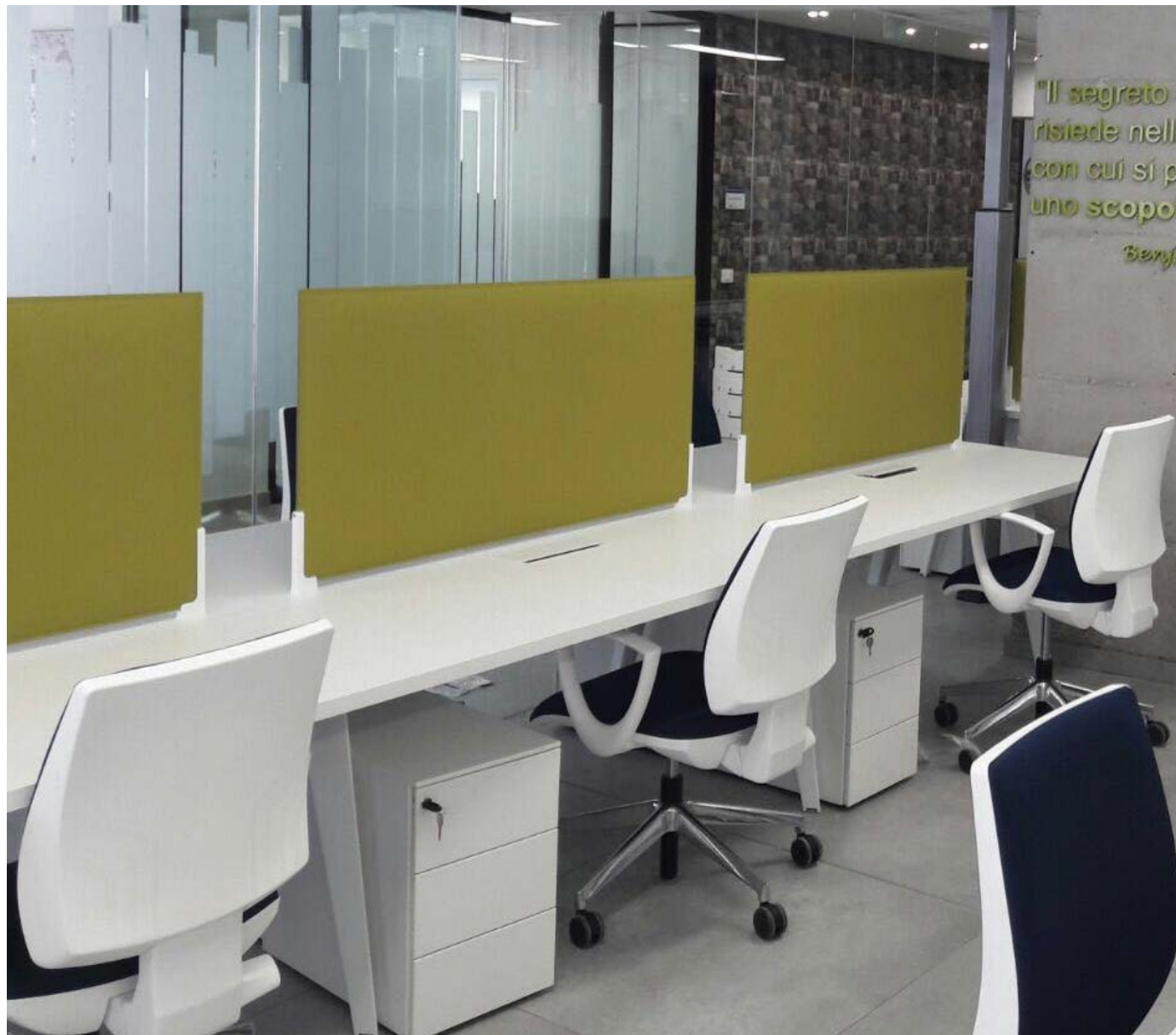


CORNER

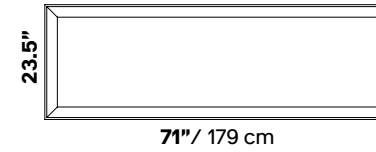
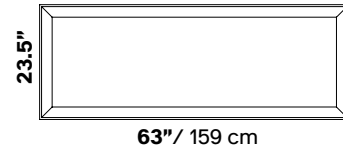
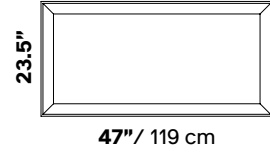
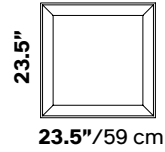











CORNER

CORNER is a system that utilizes Snowsound® patented acoustic panels to partition workspaces, providing a visual barrier while enhancing acoustic comfort. The ultra-thin 35 mm panels are coupled with desk mounting hardware that seamlessly connects the panel's 'corners.' This system can be retrofitted into existing spaces or specified as an architectural element during the design phase.



Specs	Polyester internal padding with SNOWSOUND technology, polyester covering in Trevira CS® fabric
	Single material and 100% recyclable
	Eco friendly – Greenguard Gold
	Durable, tackable double-sided surface
	Patented variable density composition
	Class A sound absorption with NRC 1.0 (ISO 354/ASTM C423/ISO 11654)
	Absorbs 94% of human speech frequencies
	Class A fire and smoke safety (UL 723/ASTM E84)
	CAL 133, 117 pass
	Sleek profile at only 1.4” thick
	Desk mounted
Design	Mark Sadler



	Color	Part No	Part No	Part No	Part No
	White	40025140	40025649	40025002	
	Silver	40025141	40025650	40025001	40025661
	Gray				
	Charcoal Gray	40025142	40025651	40025003	40025723
	Slate Blue	40025296	40025659	40025295	40025663
	Beige	40025207**	40025652**	40020055**	
	Dove Gray	40025208**	40025653**	40025004**	
	Sun Yellow	40025209**	40025654**	40020056**	
	Carrot Orange	40025211**	40025655**	40025006**	
	Red	40025210**	40025656**	40020057**	
		Special Order Color MOQ: 70	Special Order Color MOQ: 50	Special Order Color MOQ: 50	Special Order Color MOQ: 30

** Extended lead time

Extended lead time colors require: up to 10–12 weeks

Quick Ship items only show item number without additional notation

For larger swatches & full color options, please refer to pages 32–34.

Panels available in special order colors. Special order colors require:

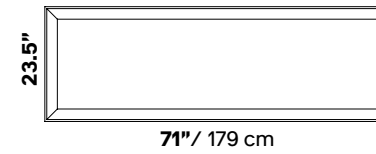
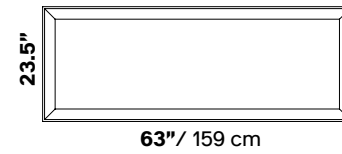
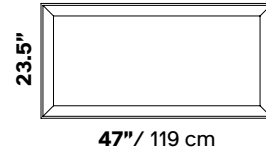
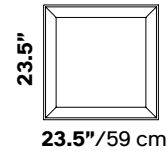
– MOQ varies from size to size






– Lead time up to 14–16 weeks

– +10% Custom service fee

CORNER

Call your representative for stock levels and availability



	Color	Part No	Part No	Part No	Part No
	Rustic Brick	40025288**	40025658**	40025287**	
	Olive Green	40025213**	40025657**	40020058**	
	Dark Teal	40025304**	40025660**	40025303**	
	Blue			40025005**	
	Cool White		40025679**	40025664**	
		Special Order Color MOQ: 70	Special Order Color MOQ: 50	Special Order Color MOQ: 50	Special Order Color MOQ: 30

** Extended lead time

Extended lead time colors require: up to 10–12 weeks

Quick Ship items only show item number without additional notation

For larger swatches & full color options, please refer to pages 32–34.

Panels available in special order colors. Special order colors require:

– MOQ varies from size to size

– Lead time up to 14–16 weeks

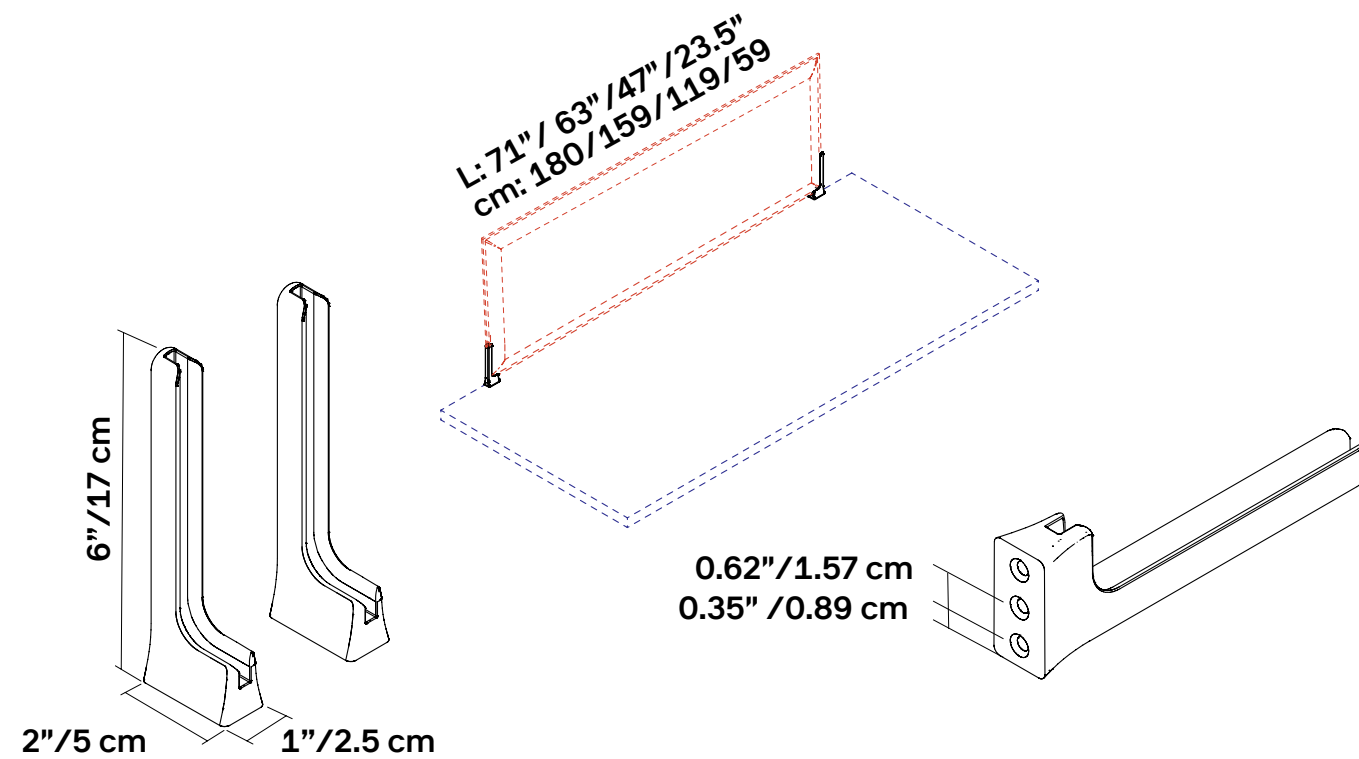
– +10% Custom service fee

CORNER PANELS BRACKETS

DIRECT MOUNT BRACKET

Pair of direct mount brackets in powder-coated zamac to be fixed to desktop with screws (screws not included).

Panel size	Fits All Sizes	Fits All Sizes
Part No	40025007	40025008
QTY	01 pair	01 pair
Finish	Silver Gray	Matte White



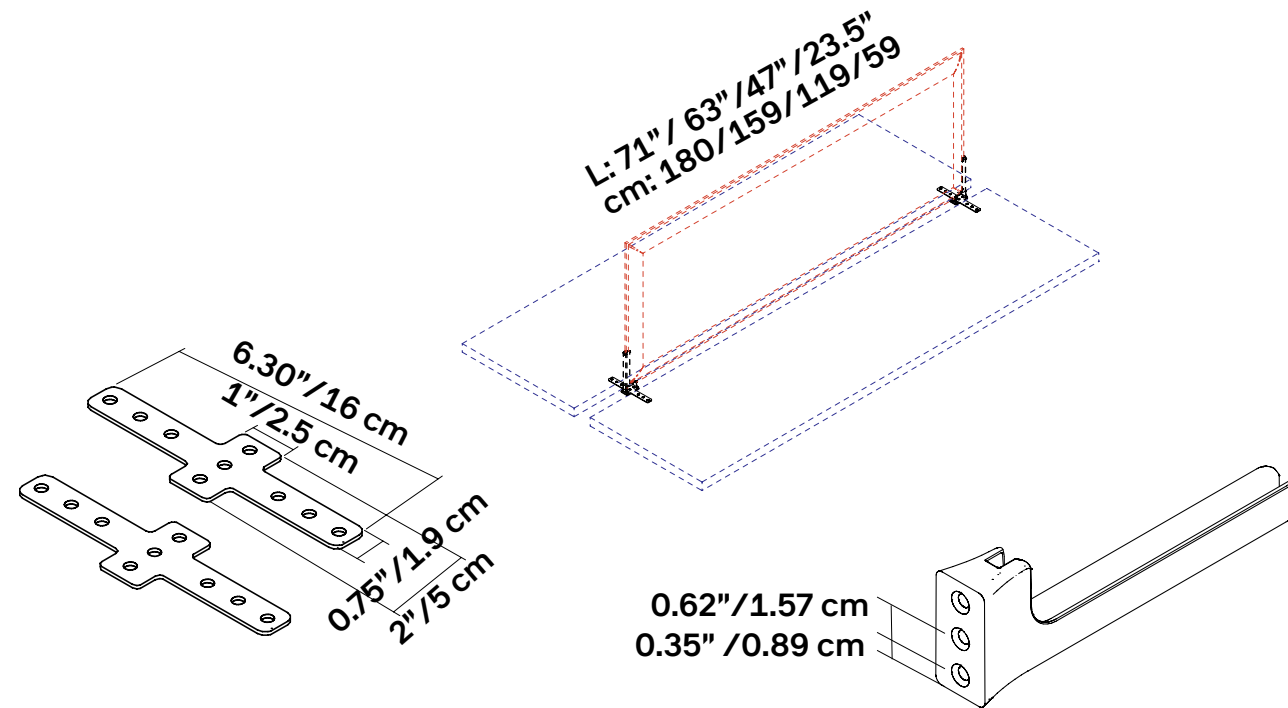
CORNER PANELS BRACKETS

BRIDGE BRACKETS

Pair of bridge brackets to use corner panel between 2 desks.

To be used with brackets (Part #40025007 silver gray or #40025008 matte white).

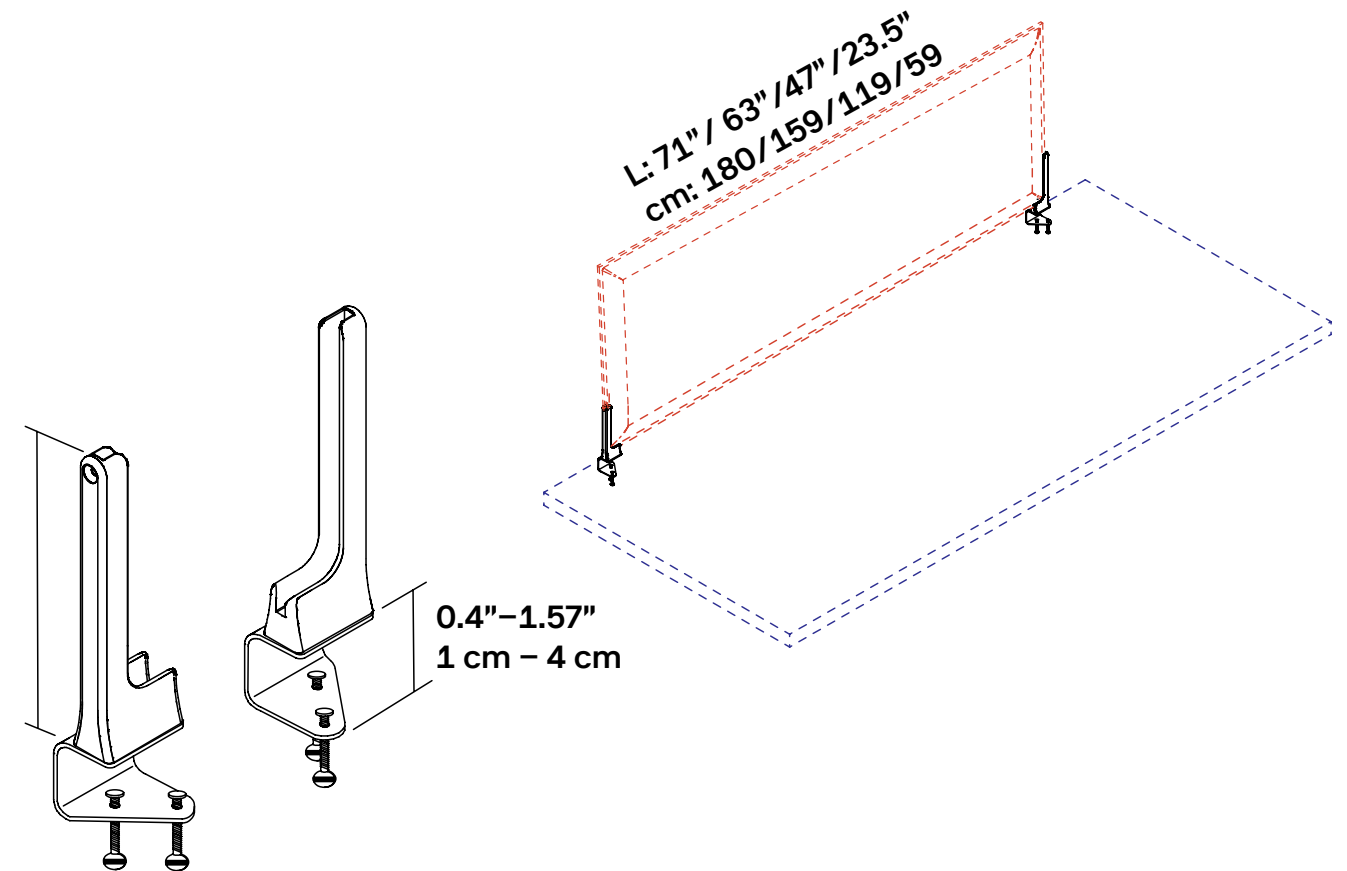
Panel size	Fits All Sizes	Fits All Sizes
Part No	40025016	40025017
QTY	01 pair	01 pair
Finish	Silver Gray	Matte White



CLAMP BRACKETS

Pair of brackets with clamp connection in powder-coated steel and zamac for connection to the desktop.

Panel size	Fits All Sizes	Fits All Sizes
Part No	40025067	40025066
QTY	01 pair	01 pair
Finish	Silver Gray	Matte White

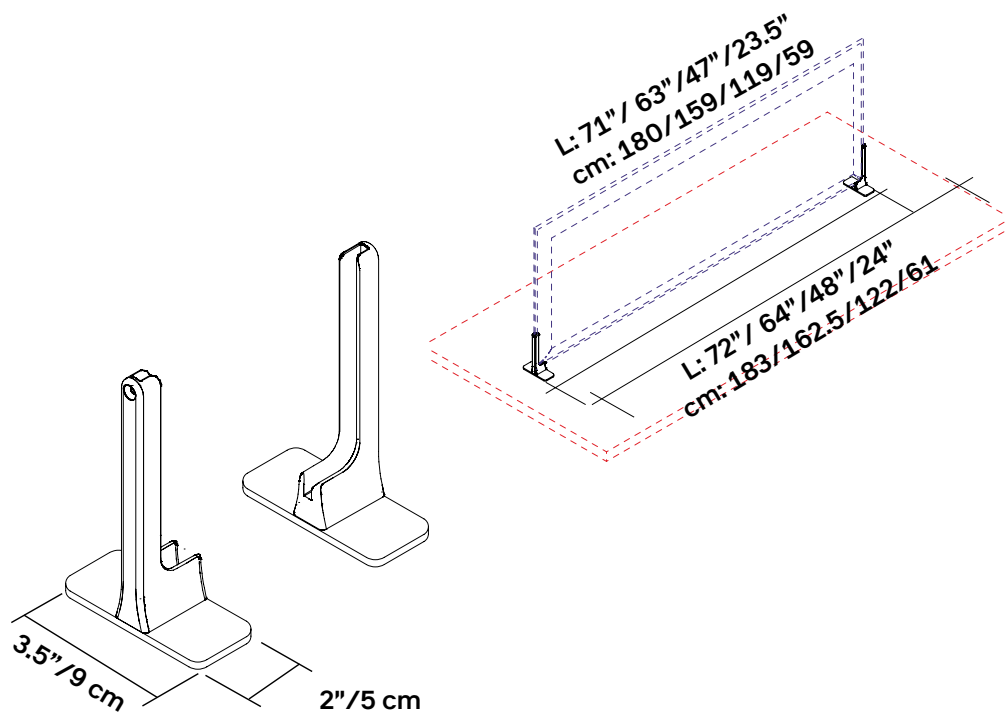


CORNER PANELS BRACKETS

SHORT FREE-STANDING BASES

Pair of free-standing brackets with weighted bases in powder-coated steel are used as desktop dividers.

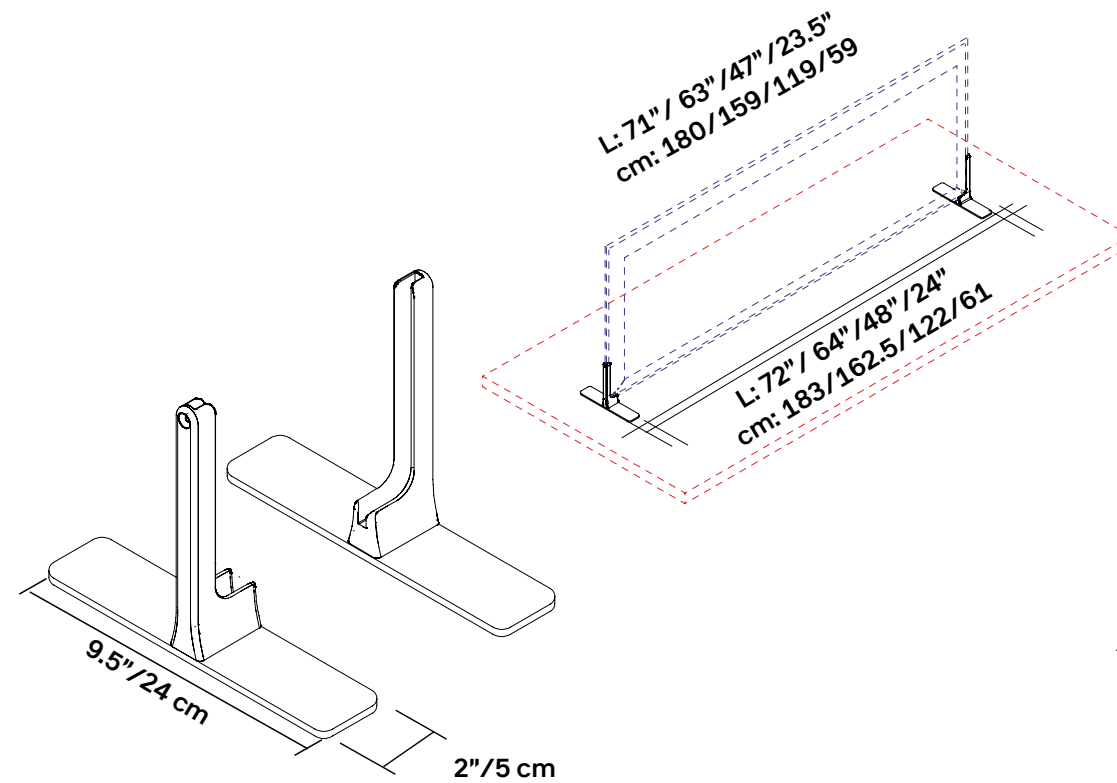
Panel size	Fits All Sizes	Fits All Sizes
Part No	40025095	40025149
QTY	01 pair	01 pair
Finish	Silver Gray	Matte White



LONG FREE-STANDING BASES

Pair of free-standing brackets with weighted bases in powder-coated steel are used as desktop dividers.

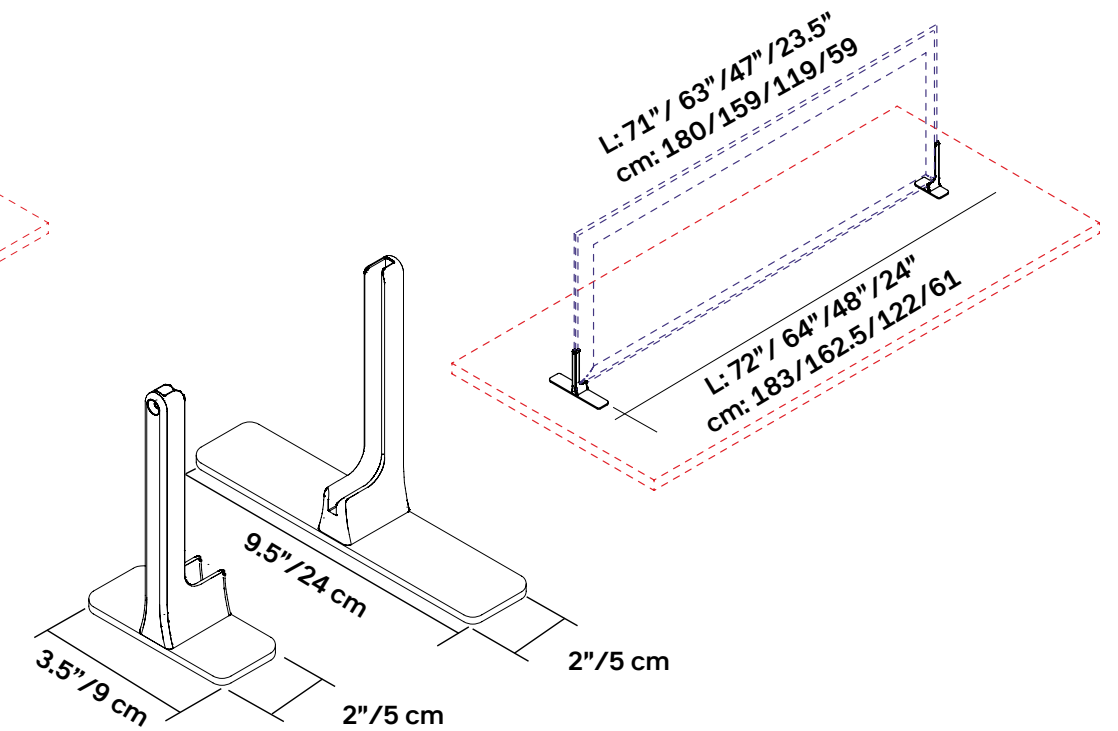
Panel size	Fits All Sizes	Fits All Sizes
Part No	40025150	40025151
QTY	01 pair	01 pair
Finish	Silver Gray	Matte White



SHORT & LONG FREE-STANDING BASES

Two different size desktop brackets with weighted base plates for free-standing applications. The two sizes differ in the length of the supporting feet.

Panel size	Fits All Sizes	Fits All Sizes
Part No	40025103	40025104
QTY	01 pair	01 pair
Finish	Silver Gray	Matte White

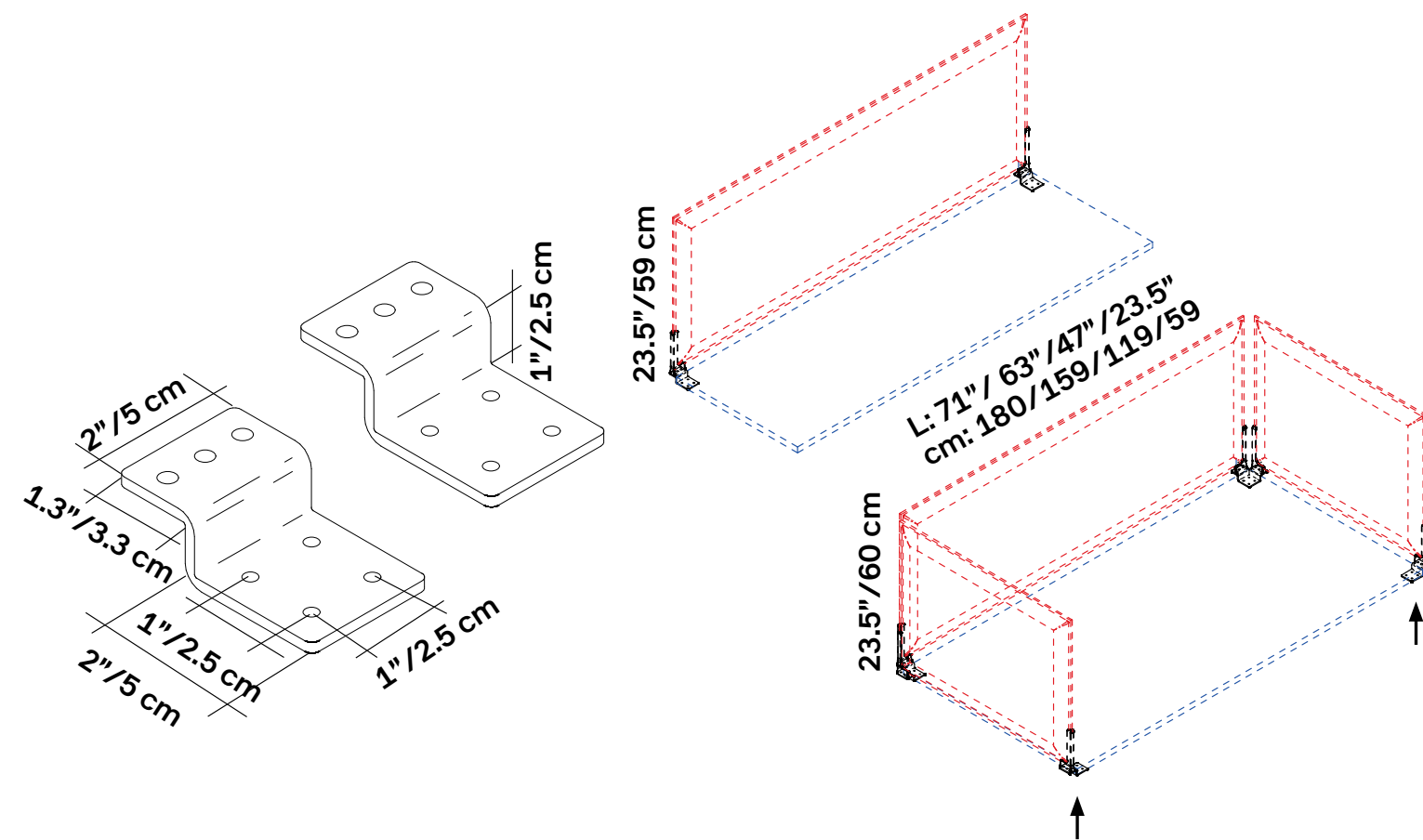


CORNER PANELS BRACKETS

DIRECT MOUNT BRACKETS FIXED TO DESKTOP

Pair of brackets with clamp connection in powder-coated steel and zamac for connection to the desktop.

Panel size	Fits All Sizes	Fits All Sizes
Part No	40025262	40025263
QTY	01 pair	01 pair
Finish	Silver Gray	Matte White



DIRECT MOUNT BRACKETS FOR CORNERS

Pair of free-standing brackets with weighted bases in powder-coated steel are used as desktop dividers.

Panel size	Fits All Sizes	Fits All Sizes
Part No	40025260	40025261
QTY	01 pair	01 pair
Finish	Silver Gray	Matte White

