

CLASP DIVIDER



CLASP DIVIDER

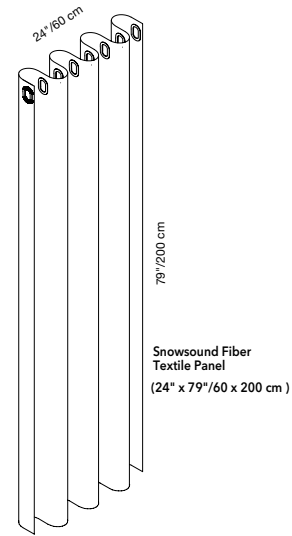



In the CLASP DIVIDER, the Snowsound Fiber acoustic textiles is placed on a modular structure made of chromed metal suspended on cables with a height adjustment system. Thanks to the metal joints the structure is freely configurable and allows infinite compositions. The fabric slipcover is removable.

| | |
|---------------|---|
| Specs | Single material and 100% recyclable |
| | Eco friendly – Greenguard Gold |
| | Class A sound absorption with (ISO 354) |
| | Machine washable up to 140 degrees F. |
| | NRC up to .90 |
| | Fiber 1 Color antimicrobial textile |
| | Class A fire and smoke safety (UL 723/ASTM E84) |
| | CAL 133, 117 pass |
| | Ceiling suspended |
| | CE certified for ceiling application |
| Design | Annalisa Dominoni & Benedetto Quaquari |

CLASP DIVIDER TEXTILE PANEL

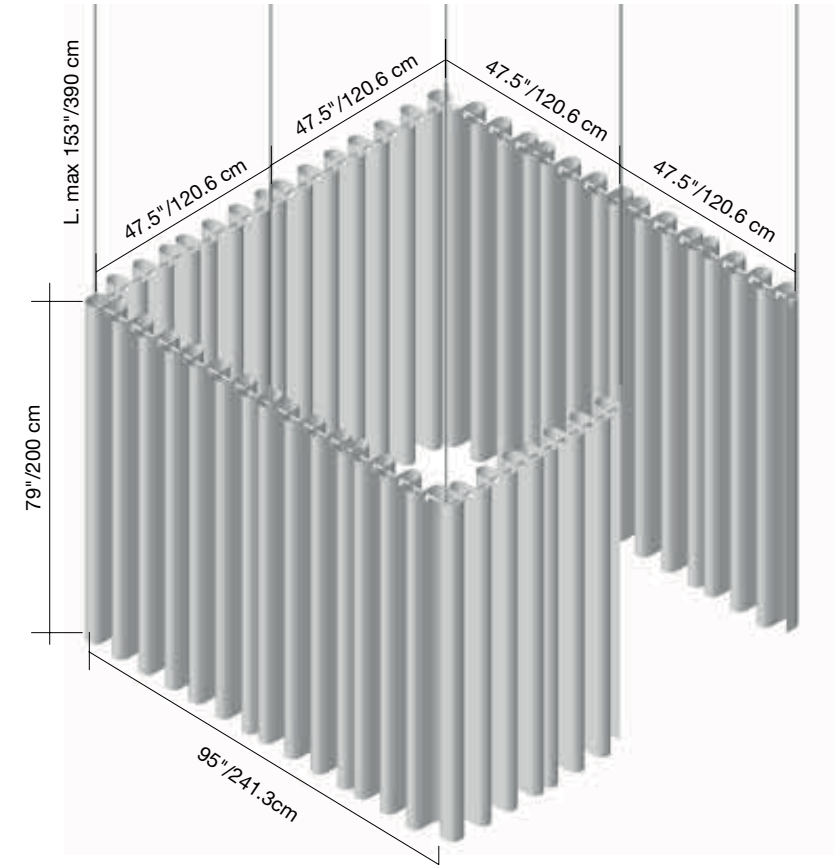
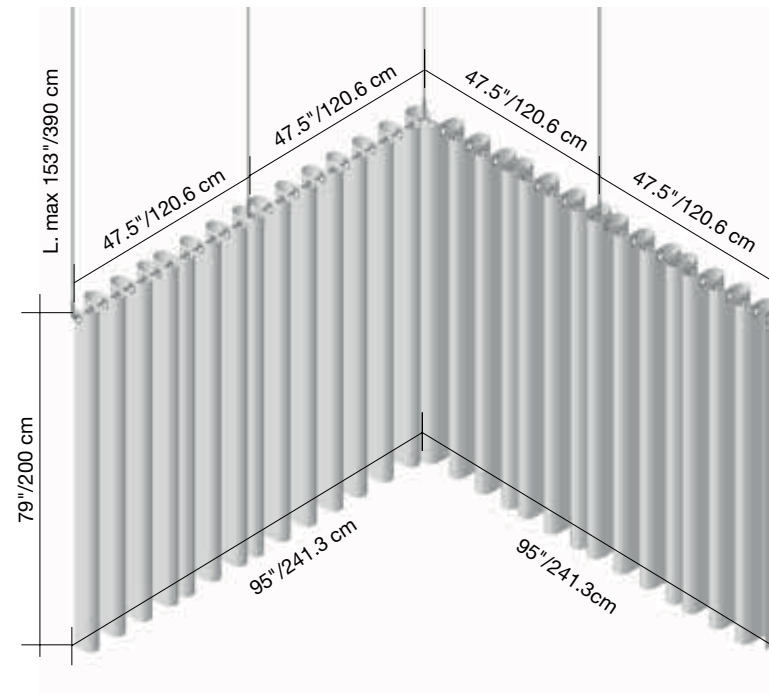
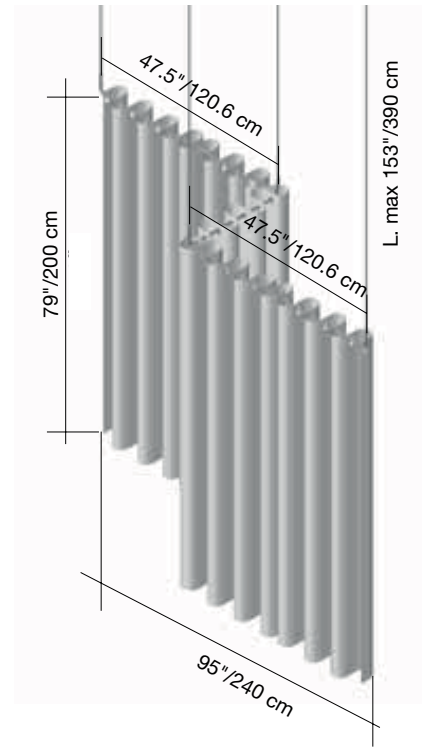
Call your representative for stock levels and availability



| | Color | Part No |
|--|----------------------|----------|
|  | 300 Gray Ice | 40041018 |
|  | 305 Azure | 40041019 |
|  | 310 Gray Gold | 40041021 |
|  | 309 Gray Green | 40041092 |
|  | 306 Gray Burgundy | 40041020 |

Quick Ship items only show item number without additional notation
For larger swatches & full color options, please refer to pages 277–280.

CLASP DIVIDER TYPICALS



| | | | |
|---------------|---|---|---------------------------------|
| Item No | 40041017: 4 ft (1.2 m) Support Rod (x2) | 40041017: 4 ft (1.2 m) Support Rod (x4) | 4 ft (1.2 m) Support Rod (x7) |
| | 40041016: 2 ft (.6 m) Support Rod (x1) | 40041015: End Supports (x2) | 40041015: End Supports (x2) |
| | 40041015: End Supports (x2) | 40041014: Corner Supports (x1) | 40041014: Corner Supports (x3) |
| | 40041014: Corner Supports (x2) | 40041012: Central Supports (x2) | 40041012: Central Supports (X3) |
| Textile Panel | x5 | x8 | x14 |

CLASP DIVIDER RODS

SUPPORT ROD HARDWARE (2FT)

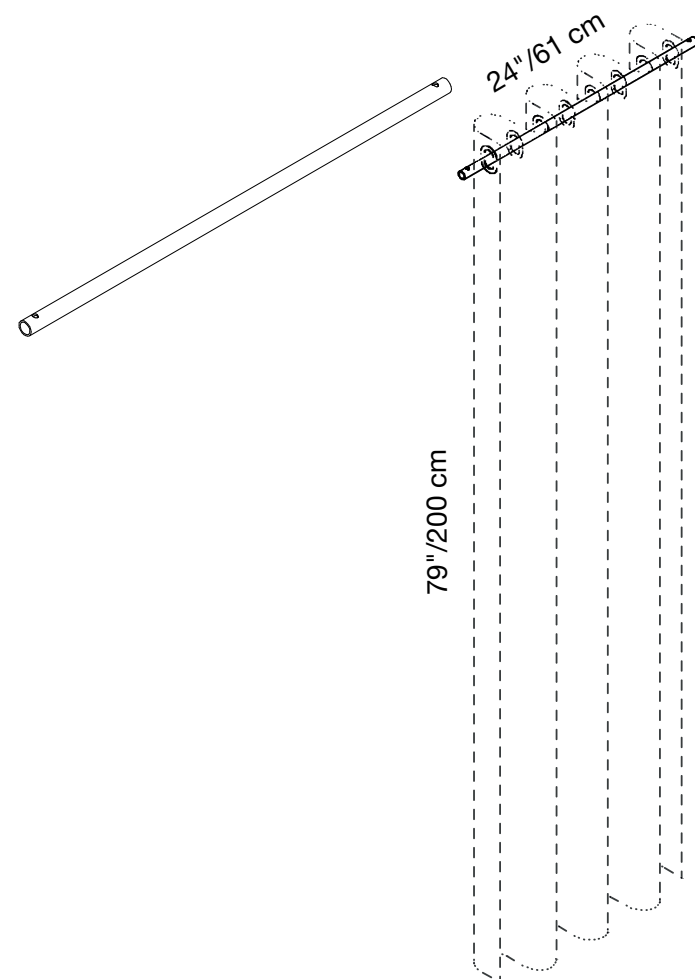
One support rod holds 1 (FIBER 3 MELANGE) Textile panel.

Textile Panel Req'd (1) 24"W x 79" H 7.3 cm x 24 cm

Part No 40041016

QTY 01

Finish Chrome



Textile panel not included. See page 286 for details.

SUPPORT ROD HARDWARE (4FT)

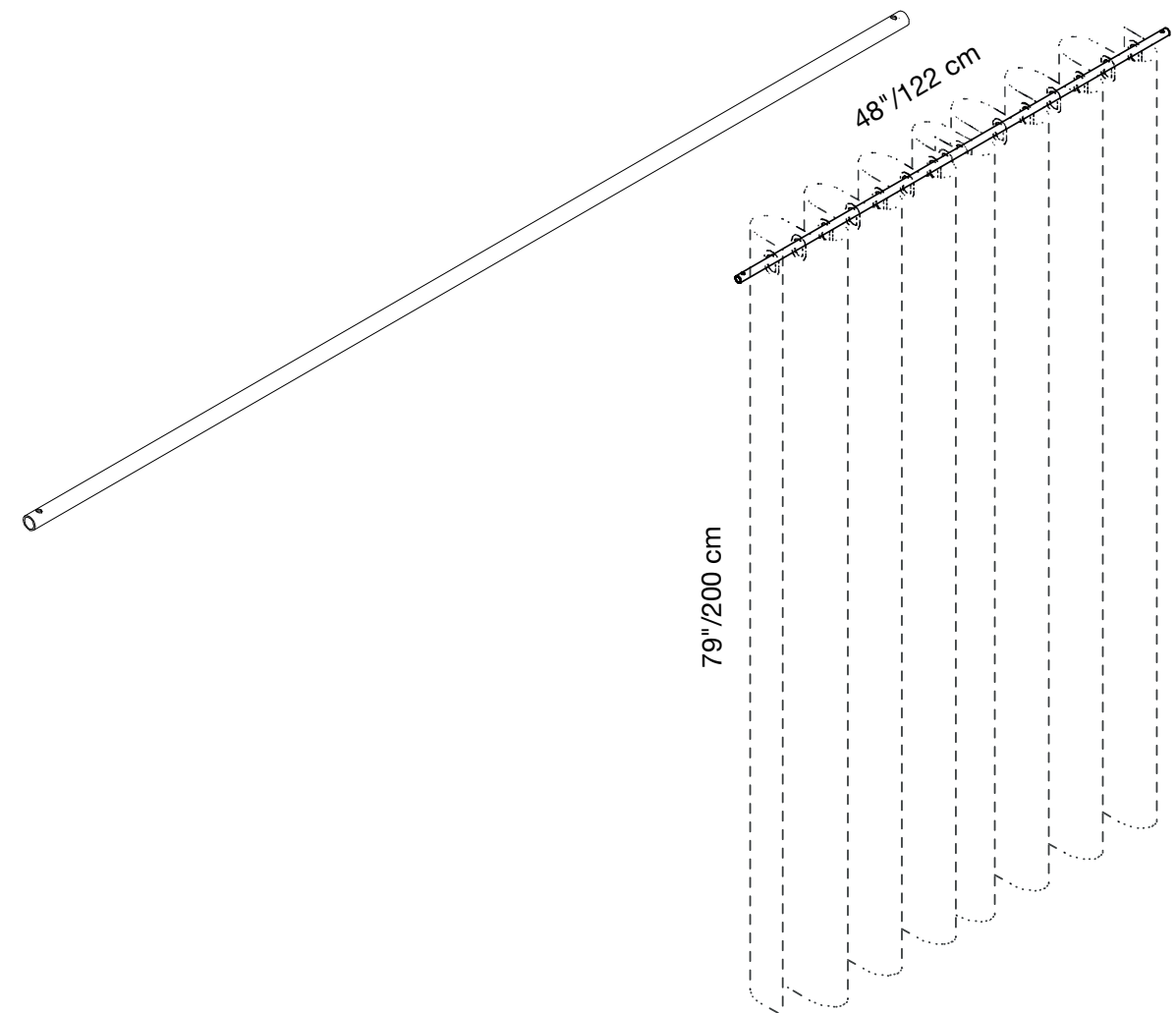
One support rod holds 1 (FIBER 3 MELANGE) Textile panel.

Textile Panel Req'd (1) 24"W x 79" H 7.3 cm x 24 cm

Part No 40041017

QTY 01

Finish Chrome

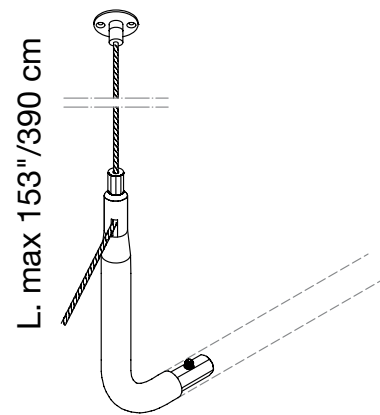


CLASP DIVIDER RODS

END SUPPORT ADAPTER

Connects to end of (1) support rod.

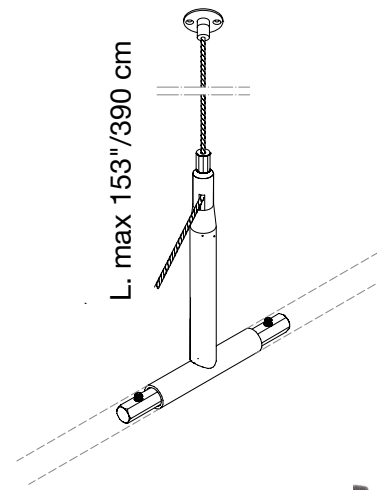
| | |
|---------|----------|
| Part No | 40041024 |
| QTY | 01 |
| Finish | Chrome |



CENTRAL SUPPORT ADAPTER

Connects with (2) support rods in straight line.

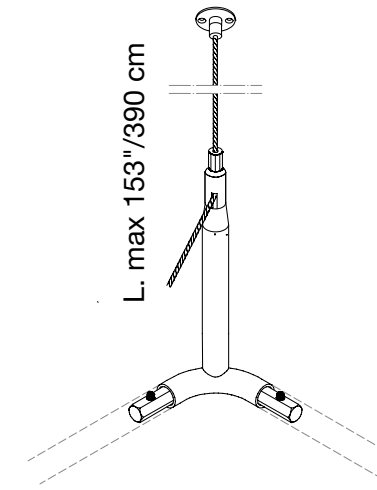
| | |
|---------|----------|
| Part No | 40041025 |
| QTY | 01 |
| Finish | Chrome |



CORNER SUPPORT ADAPTER

Connects with (2) support rods creating a corner.

| | |
|---------|----------|
| Part No | 40041026 |
| QTY | 01 |
| Finish | Chrome |



Hardware adapter includes aircraft cable and 2 - hole ceiling plate.
Allows you to always maintain 24"(61 cm) or 48" (122 cm) width.