

BOTANICA



BOTANICA



BOTANICA WALL & CEILING

A modular frame designed for both wall and ceiling installations. Fabricated in chrome-plated tubular steel, it features a distinctive 3D curvature of the tube. The ceiling-mounted version of the frame comes complete with adjustable cables for suspension.

BOTANICA TOTEM

In the free standing version, the 6 adjustable panels are supported by a chrome-plated tubular frame with powder-coated steel base.

BOTANICA SINGLE WALL MOUNT

The single panel can be anchored to the wall with chrome-plated steel bracket.

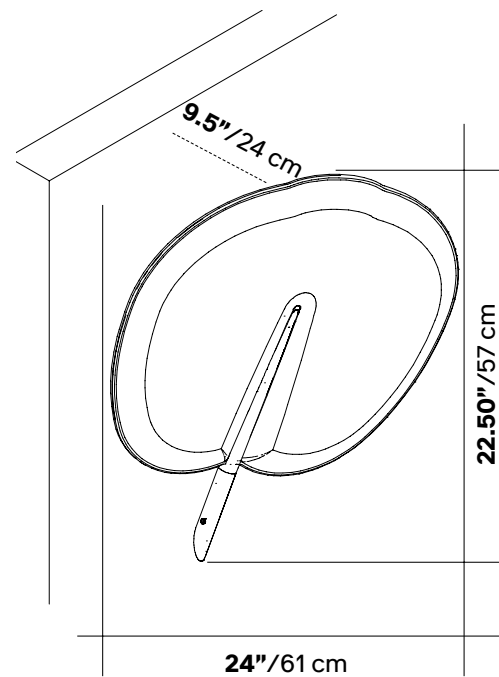
Specs	Polyester internal padding with SNOWSOUND technology, polyester covering in Trevira CS® fabric
	Single material and 100% recyclable
	Eco friendly – Greenguard Gold
	Durable, tackable double-sided surface
	Patented variable density composition
	Class A sound absorption with NRC 1.0 (ISO 354/ASTM C423/ISO 11654)
	Absorbs 94% of human speech frequencies
	Class A fire and smoke safety (UL 723/ASTM E84)
	CAL 133, 117 pass
	Sleek profile at only 1.4” thick
	Ceiling mounted/Wall mounted/Freestanding
	CE certified for ceiling application
Design	Mario Trimarchi

BOTANICA COMPLETE KITS

Call your representative for stock levels and availability

SINGLE PANEL WALL MOUNT

For direct surface mounting on wall.



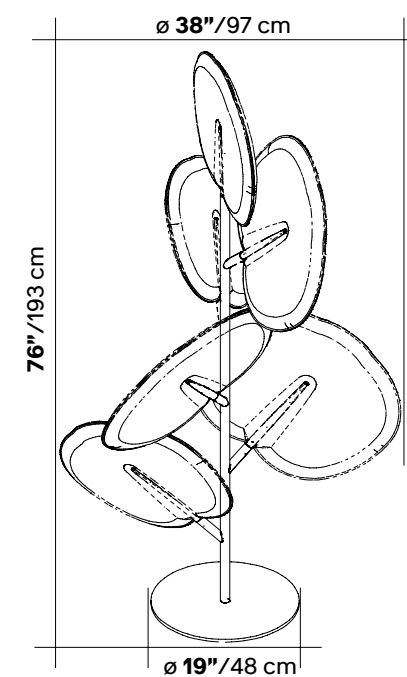
Color	Part No
White	40037042
Olive Green	40037043
Charcoal Gray	40037044

Special Order Color
MOQ: 80

Panels available in special order colors. Special order colors require:

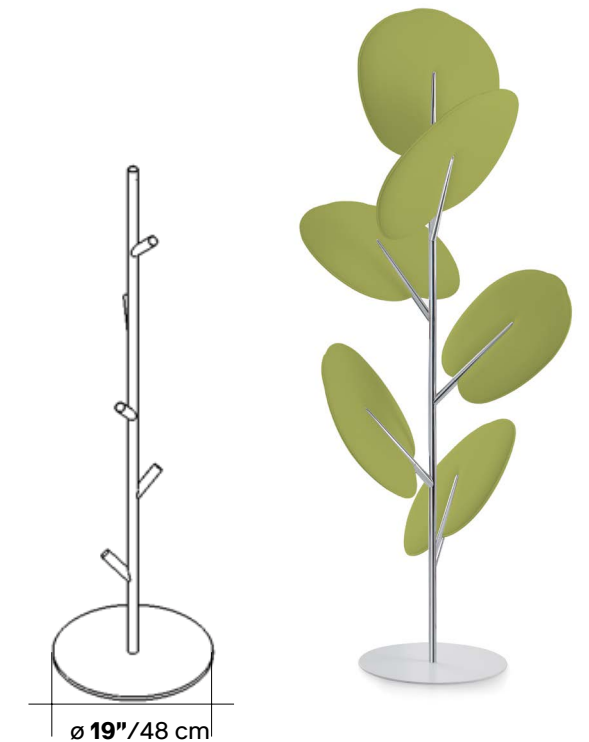
- MOQ varies from size to size
- Lead time up to 14-16 weeks
- +10% Custom service fee

TOTEM



Color	Part No
White	40037045
Olive Green	40037046
Charcoal Gray	40037047

Special Order Color
MOQ: 80



Kit includes	06 Botanica panels
	01 Stand

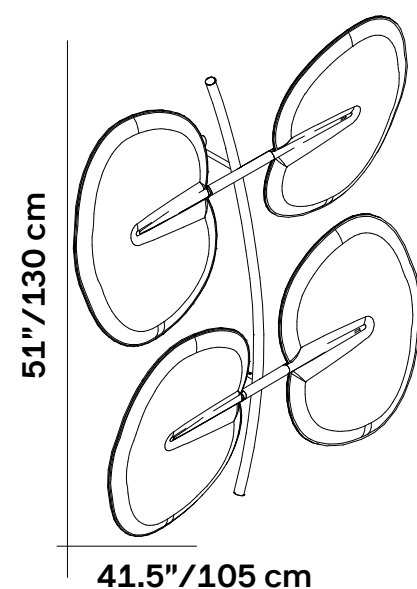
For larger swatches & full color options, please refer to pages 32-34.

BOTANICA COMPLETE KITS

Call your representative for stock levels and availability

4 PANEL WALL MOUNT

For direct surface mounting on wall.



Color	Part No
White	40037048
Olive Green	40037049
Charcoal Gray	40037050

Special Order Color
MOQ: 80

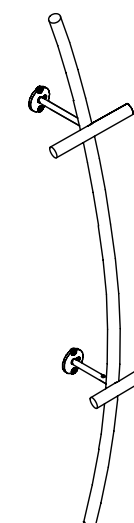
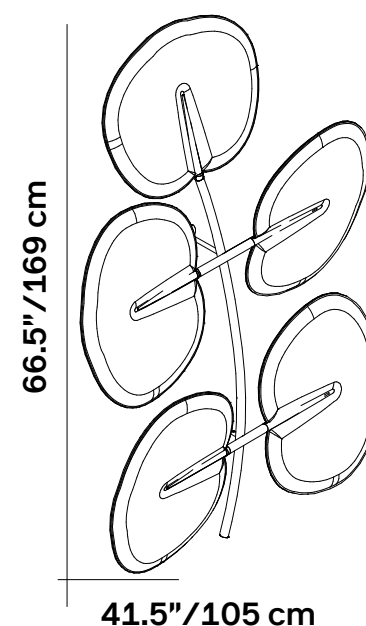
Kit includes	04 Botanica panels
	01 Wall frame

Panels available in special order colors. Special order colors require:

- MOQ varies from size to size
- Lead time up to 14-16 weeks
- +10% Custom service fee

5 PANEL WALL MOUNT

For direct surface mounting on wall.



Color	Part No
White	40037051
Olive Green	40037060
Charcoal Gray	40037061

Special Order Color
MOQ: 80

Kit includes	05 Botanica panels
	01 Wall frame

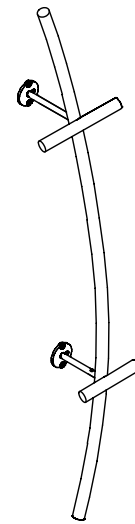
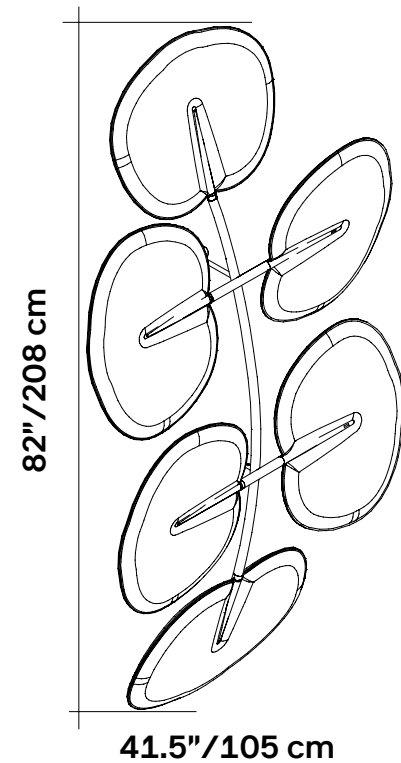
For larger swatches & full color options, please refer to pages 32-34.

BOTANICA COMPLETE KITS

Call your representative for stock levels and availability

6 PANEL WALL MOUNT

For direct surface mounting on wall.



Color	Part No
White	40037052
Olive Green	40037062
Charcoal Gray	40037063

Special Order Color
MOQ: 80

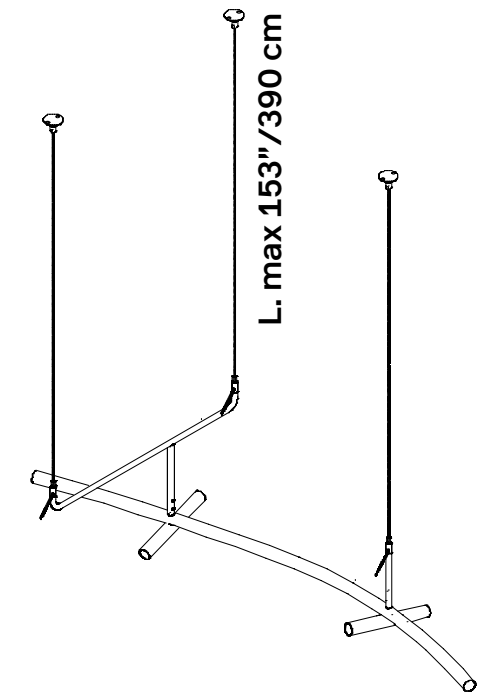
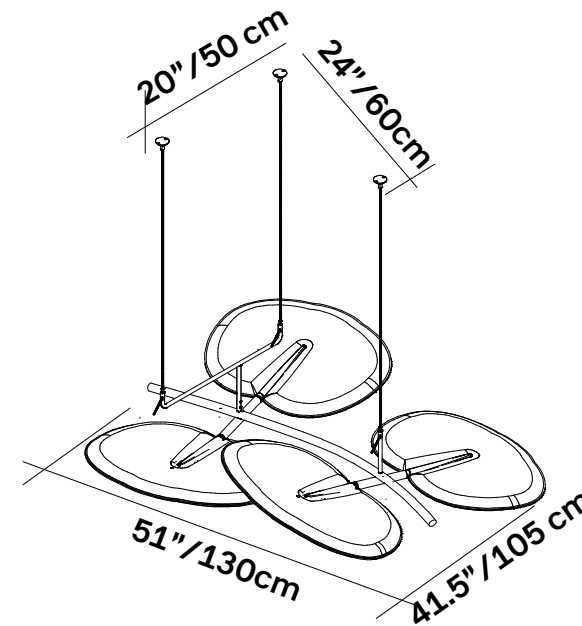
Kit includes	06 Botanica panels
	01 Wall frame

Panels available in special order colors. Special order colors require:

- MOQ varies from size to size
- Lead time up to 14-16 weeks
- +10% Custom service fee

4 PANEL CEILING SUSPENDED

For direct surface mounting on wall.



Color	Part No
White	40037013
Olive Green	40037014
Charcoal Gray	40037015

Special Order Color
MOQ: 80

Kit includes	04 Botanica panels
	01 Ceiling frame
	03 Ceiling plates
	03 Cables

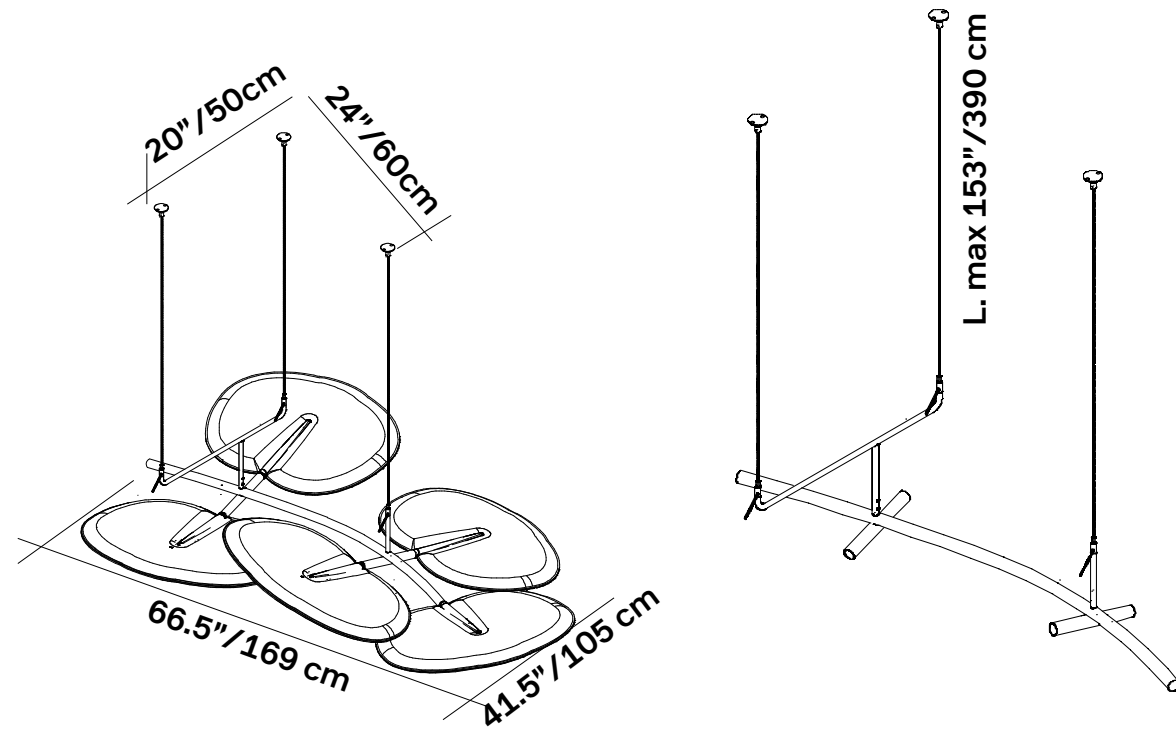
For larger swatches & full color options, please refer to pages 32-34.

BOTANICA COMPLETE KITS

Call your representative for stock levels and availability

5 PANEL CEILING SUSPENDED

For direct surface mounting on wall.



Color	Part No	Kit includes	05 Botanica panels
White	40037016		01 Ceiling frame
			03 Ceiling plates
Olive	40037017		03 Cables
Green			
Charcoal	40037018		
Gray			

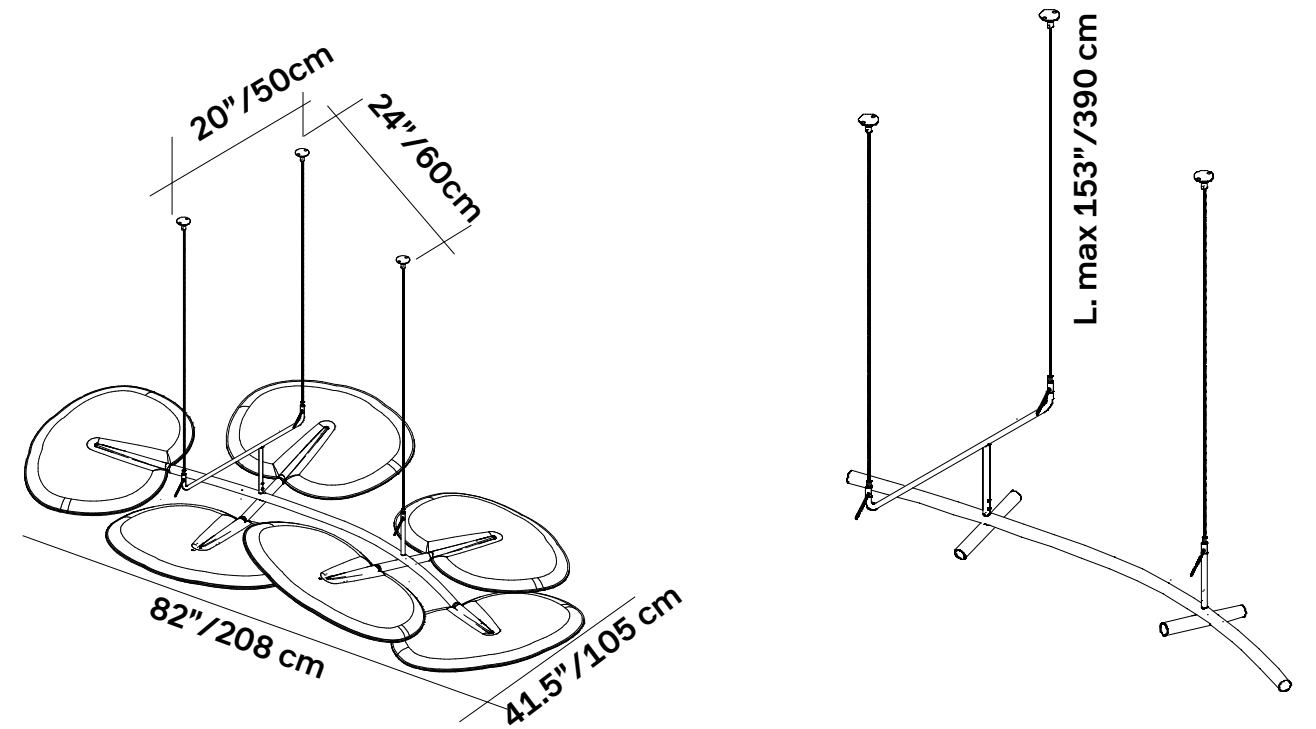
Special Order Color
MOQ: 80

Panels available in special order colors. Special order colors require:

- MOQ varies from size to size
- Lead time up to 14-16 weeks
- +10% Custom service fee

6 PANEL CEILING SUSPENDED

For direct surface mounting on wall.



Color	Part No	Kit includes	06 Botanica panels
White	40037019		01 Ceiling frame
			03 Ceiling plates
Olive	40037020		03 Cables
Green			
Charcoal	40037021		
Gray			

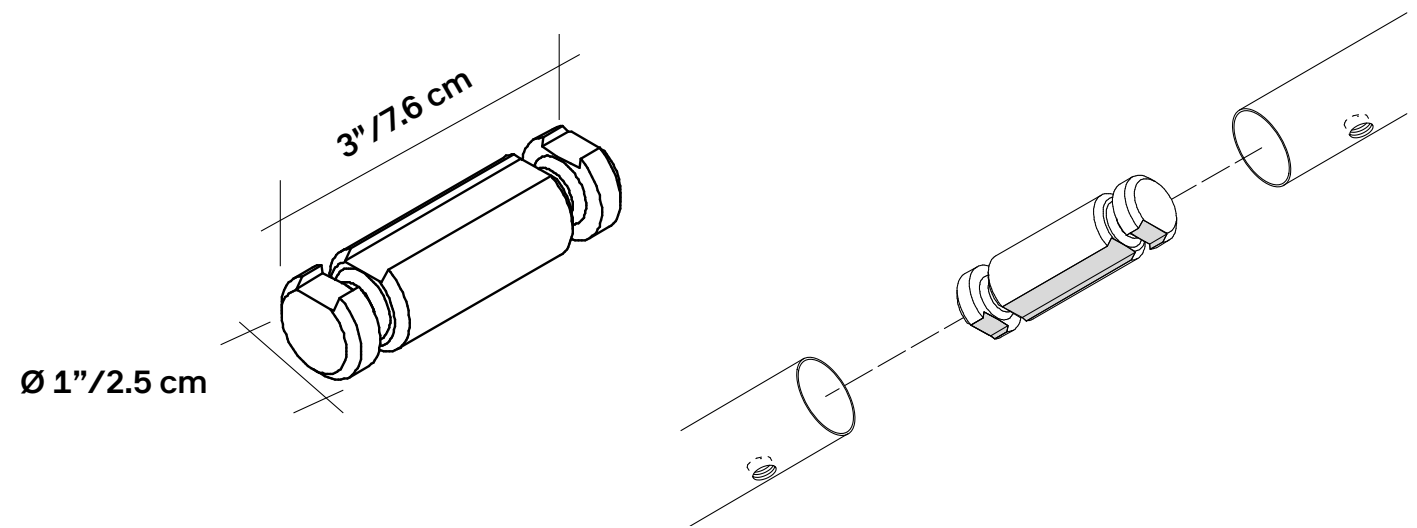
Special Order Color
MOQ: 80

For larger swatches & full color options, please refer to pages 32-34.

CONNECTING JOINT

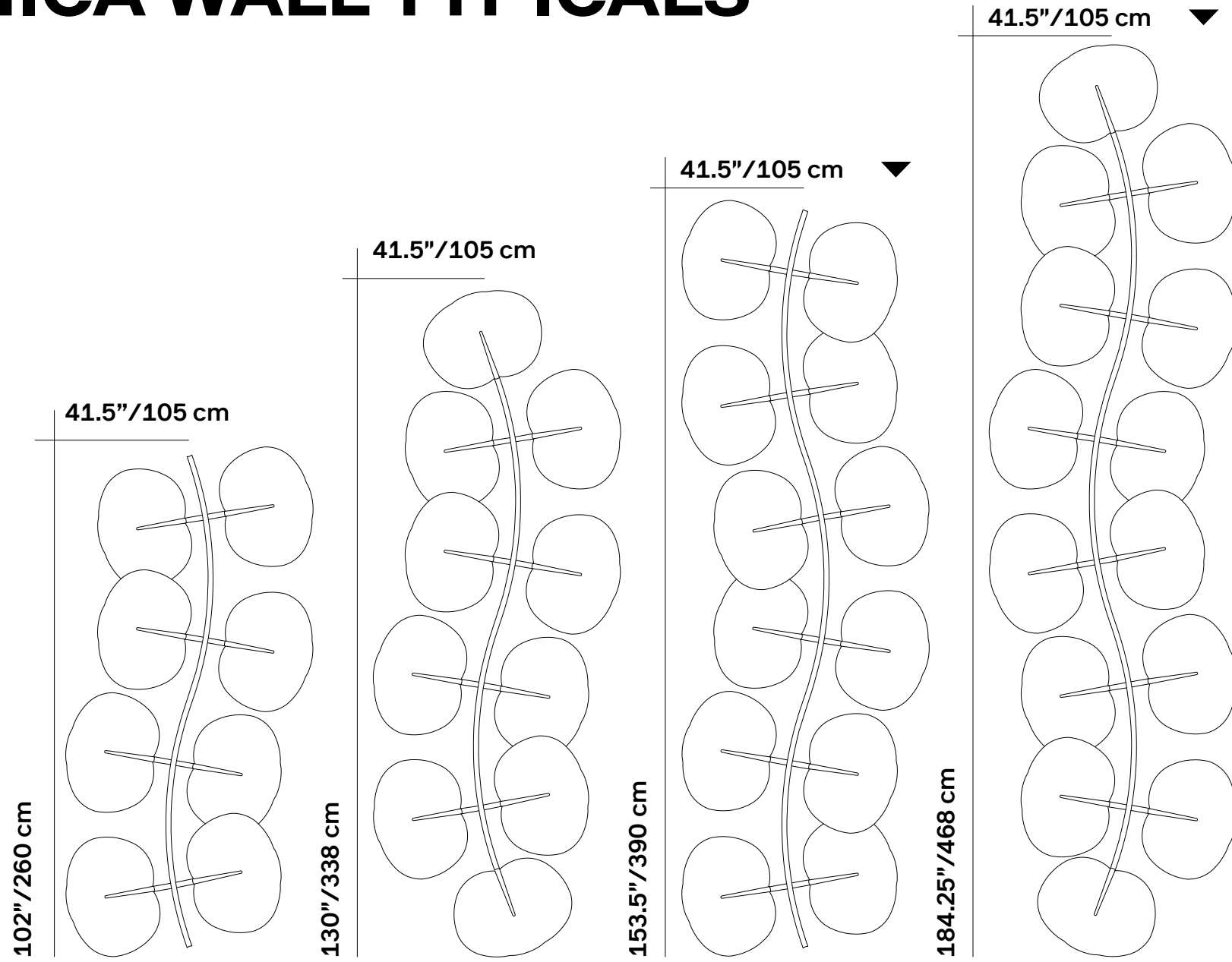
For direct surface mounting on wall. Panels sold separately. Screws to fasten bracket to wall not included.




Part No	40037007
QTY	02
Finish	Chrome



BOTANICA WALL TYPICALS

Call your representative for stock levels and availability

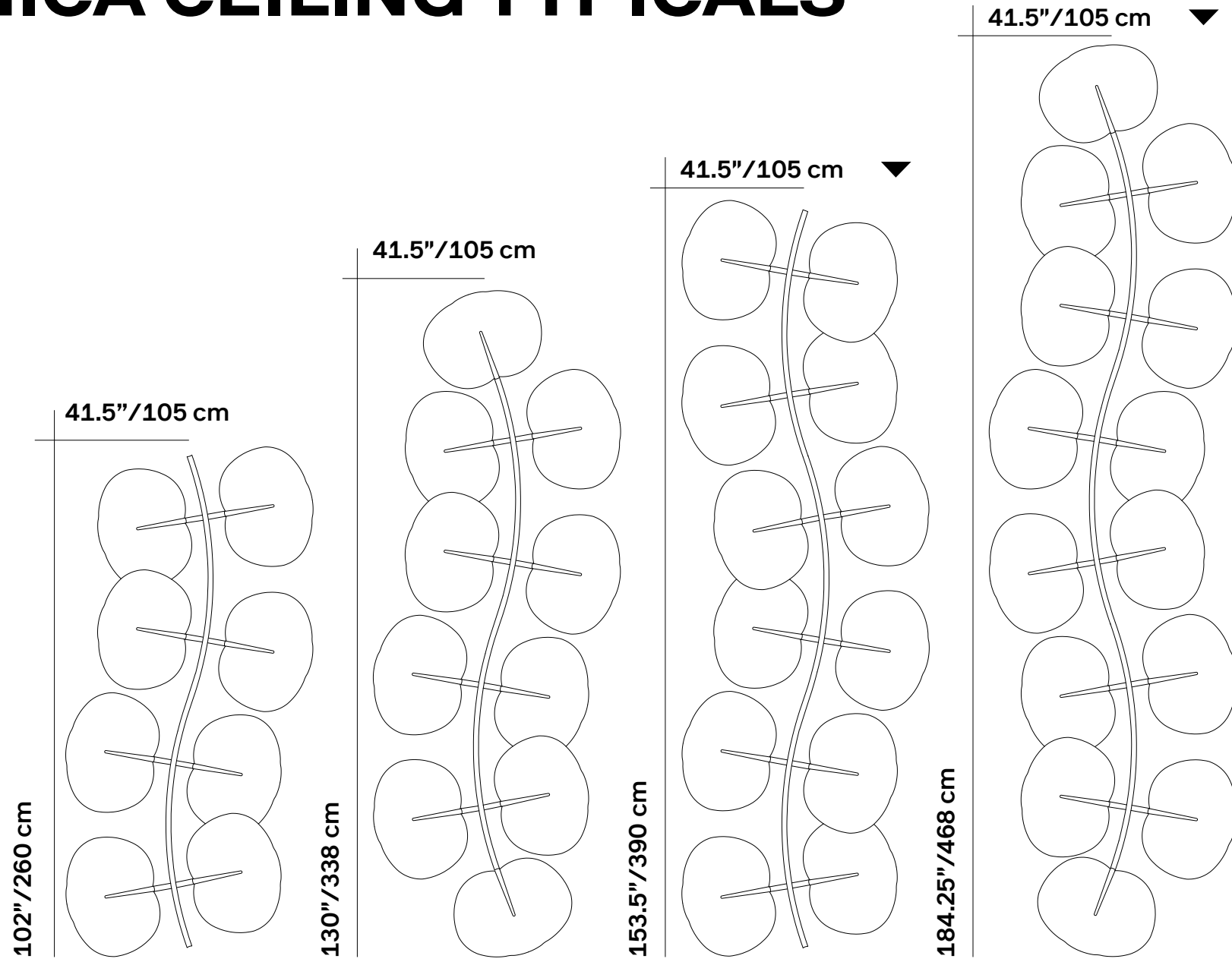





	Color	Part No	Part No	Part No	Part No
	White	40037053	40037066	40037059	40037070
	Olive Green	40037064	40037067	40037069	40037071
	Charcoal Gray	40037065	40037054	40037055	40037056

For larger swatches & full color options, please refer to pages 32–34.

BOTANICA CEILING TYPICALS

Call your representative for stock levels and availability



	Color	Part No	Part No	Part No	Part No
	White	40037022	40037025	40037028	40037031
	Olive Green	40037023	40037026	40037029	40037032
	Charcoal Gray	40037024	40037027	40037030	40037033

For larger swatches & full color options, please refer to pages 32–34.