

BEMOLLE



BEMOLLE

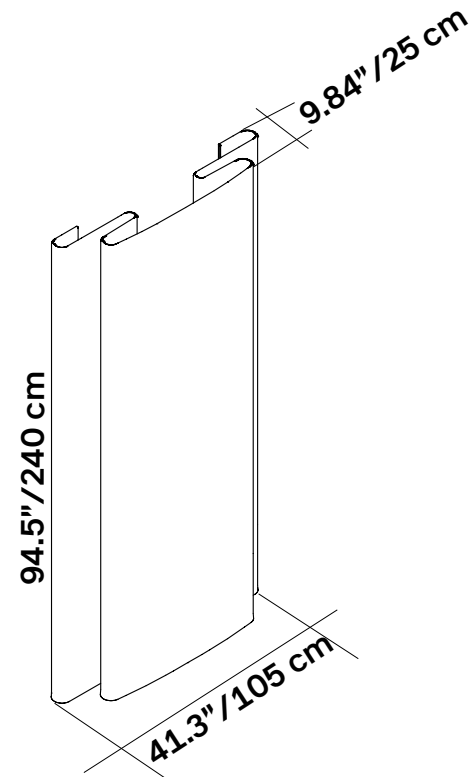





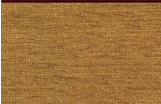
BEMOLLE features a structure made of black epoxy powder-coated steel. The drapery is crafted from Snowsound-Fiber 6 Velvet polyester, with stitching done using polyester thread. The drapery is applied to the upper structure using steel removable fixings.

Specs	Single material and 100% recyclable
	Eco friendly – Greenguard Gold
	Class A sound absorption with (ISO 354)
	Machine washable up to 140 degrees F.
	Outer fabric removable
	Class A fire and smoke safety (UL 723/ASTM E84)
	CAL 133, 117 pass
	Wall mounted
Design	Atelier Mendini

BEMOLLE WALL MOUNTED COMPLETE KIT

Call your representative for stock levels and availability



Color	Part No
 Cream Fiber 6 Velvet	7ASFD30-605**
 Teal Fiber 6 Velvet	7ASFD30-603**
 Red Fiber 6 Velvet	7ASFD30-600**
 Mustard Fiber 6 Velvet	7ASFD30-610**

Complete Unit Includes	BEMOLLE fabric
	Wall mounting frame

Structure in black epoxy powder-coated steel.
 Drapery made of Fiber 6 Velvet polyester, stitching made of polyester thread.
 The drapery is applied to the upper structure through steel removable fixings.

** Extended lead time
 Extended lead time colors require: up to 10-12 weeks

Quick Ship items only show item number without additional notation
 For larger swatches & full color options, please refer to pages 277-280.