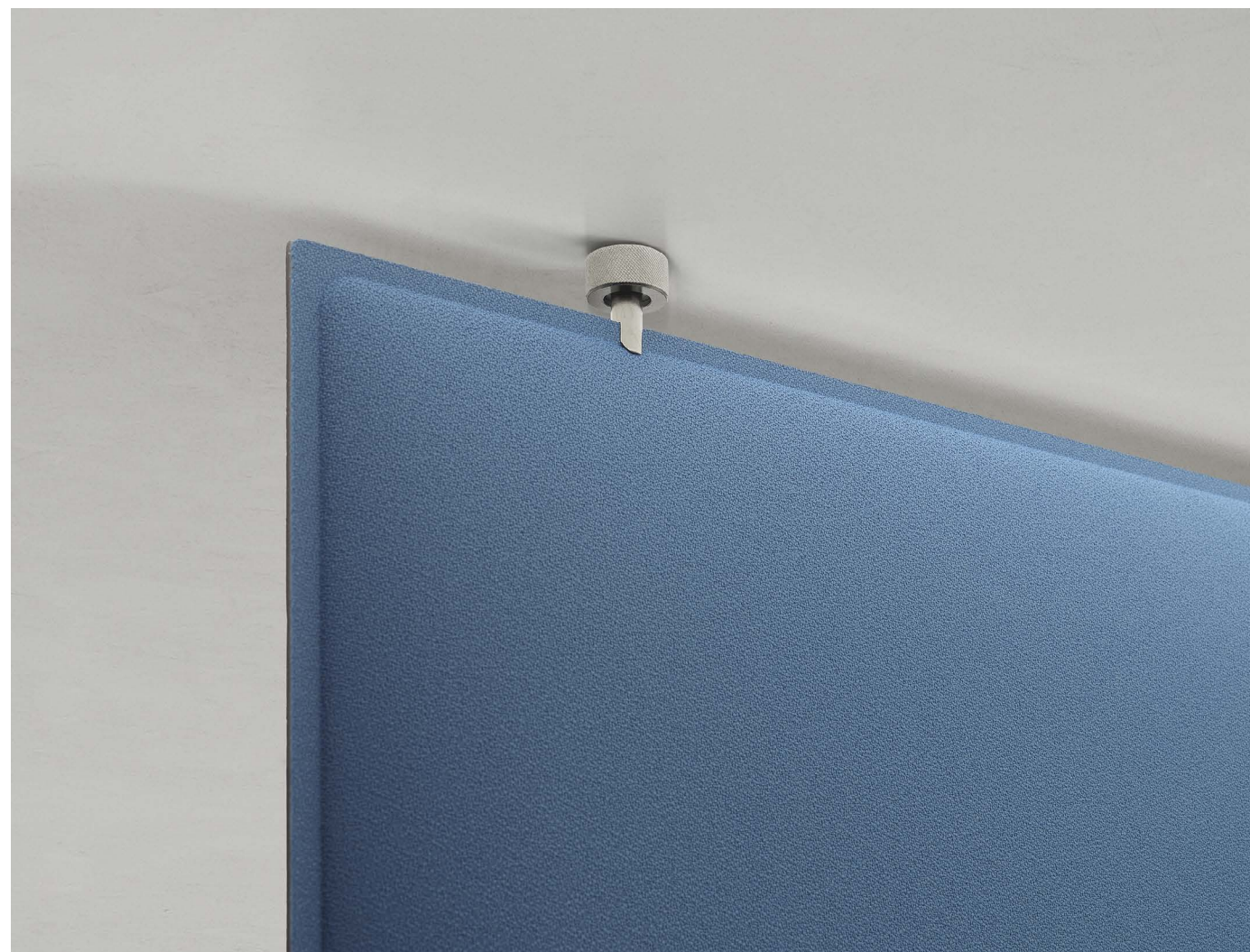


BAFFLE DIRECT



BAFFLE DIRECT

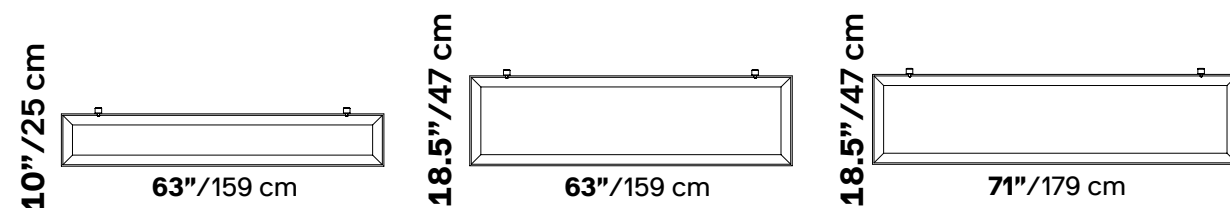
BAFFLE DIRECT Panel with polyester internal padding utilizing SNOWSOUND® Technology with variable density. Covered in Trevira CS® fabric. It features a patented direct attachment system for ceiling and wall mounting, compatible with the 8.5” and 17.3” Snowsound Baffle Direct sound-absorbing panels. The fixing points are meticulously designed to facilitate quick and effortless panel installation.



Specs	Polyester internal padding with SNOWSOUND technology, polyester covering in Trevira CS® fabric
	Single material and 100% recyclable
	Eco friendly – Greenguard Gold
	Durable, tackable double-sided surface
	Patented variable density composition
	Class A sound absorption with NRC 1.0 (ISO 354/ASTM C423/ISO 11654)
	Absorbs 94% of human speech frequencies
	Class A fire and smoke safety (UL 723/ASTM E84)
	CAL 133, 117 pass
	Sleek profile at only 1.4” thick
	Ceiling/wall mounted
	CE certified for ceiling application
Design	Mark Sadler

BAFFLE DIRECT COMPLETE KIT

Call your representative for stock levels and availability



Color	Part No	Part No	Part No
White	40025592	40025621	40025634
Silver		40025622	40025635
Gray			
Charcoal	40025591	40025623	40025636
Gray			
Slate		40025631	40025644
Blue			
Beige		40025624**	40025637**
Dove		40025625**	40025638**
Gray			
Sun		40025626**	40025639**
Yellow			
Carrot		40025627**	40025640**
Orange			
Red		40025628**	40025641**
Rustic		40025630**	40025643**
Brick			
Olive		40025629**	40025642**
Green			
Dark		40025632**	40025645**
Teal			

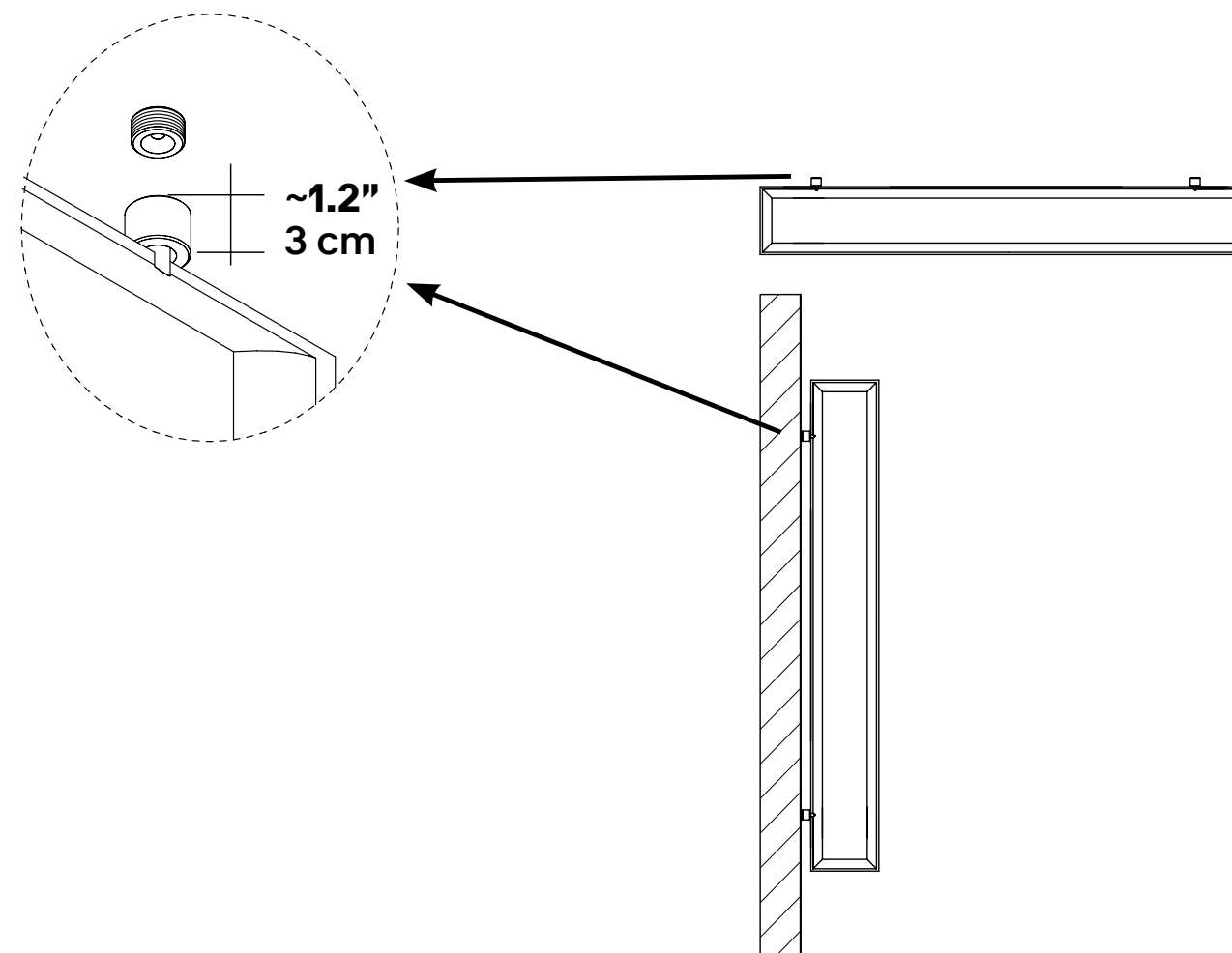
Special Order Color
MOQ: 60

Special Order Color
MOQ: 60

Special Order Color
MOQ: 70

For direct surface mounting on ceiling/wall. Hardware for ceiling mount is below. Screws to fasten bracket to ceiling/wall not included.

Kit includes	01 panel
	02 steel grips hardware



** Extended lead time
Extended lead time colors require:
up to 10–12 weeks
Quick Ship items only show item number without
additional notation
For larger swatches & full color options, please
refer to pages 32–34.

Panels available in special order colors.
Special order colors require:
– MOQ varies from size to size
– Lead time up to 14–16 weeks
– +10% Custom service fee