

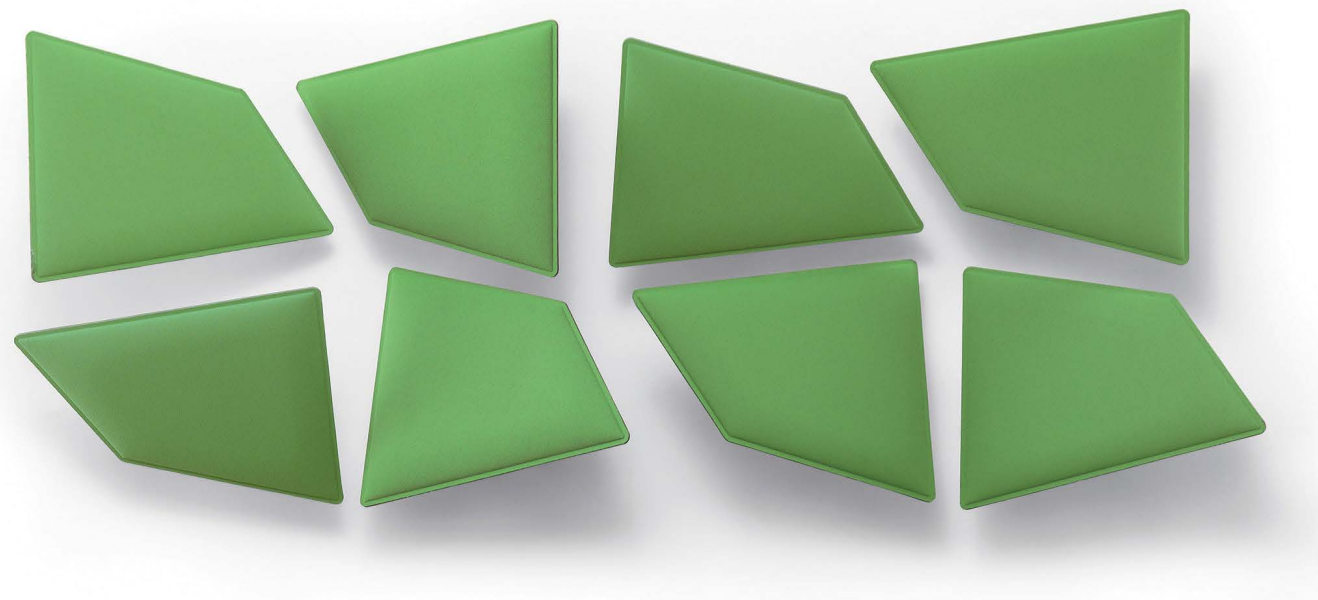
# FLAP/FLAP GRANDE





# FLAP/FLAP GRANDE

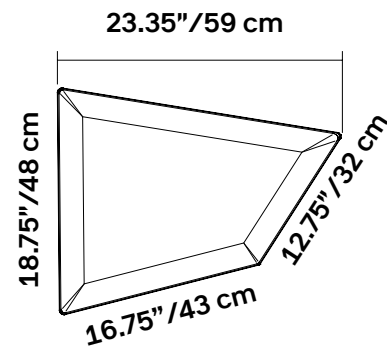
FLAP / FLAP GRANDE Panels utilizing patented Snowsound® technology to visually and acoustically enhance interior spaces. Designers can configure these uniquely shaped panels into artistic wall or ceiling patterns.



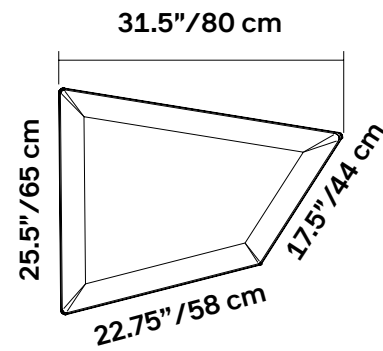
|        |  |
|--------|--|
| Specs  | Polyester internal padding with Snowsound technology, polyester covering in Trevira CS® fabric |
|        | Single material and 100% recyclable  |
|        | Eco friendly – Greenguard Gold   |
|        | Durable, tackable double-sided surface   |
|        | Patented variable density composition  |
|        | Class A sound absorption with NRC 1.0 (ISO 354/ASTM C423/ISO 11654)                            |
|        | Absorbs 94% of human speech frequencies  |
|        | Class A fire and smoke safety (UL 723/ASTM E84)  |
|        | CAL 133, 117 pass  |
|        | Sleek profile at only 1.4” thick   |
|        | Tilts and rotates  |
|        | Ceiling mounted/Wall mounted/Freestanding  |
| Design | Alberto and Francesco Meda   |

# FLAP PANEL / GRANDE COMPLETE SET

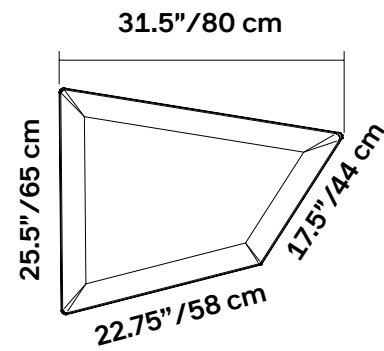
Call your representative for stock levels and availability



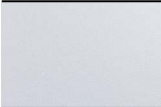


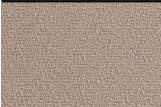





Flap



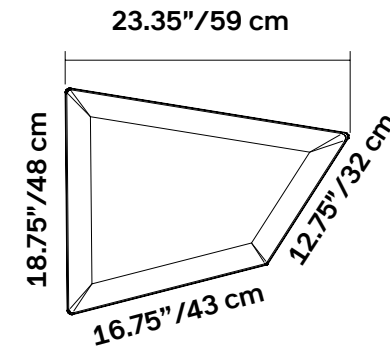
Flap Grande with 3.9" Mounting Arm



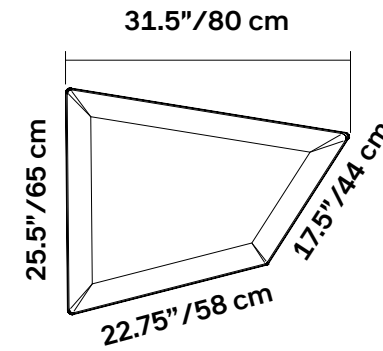
Flap Grande with 9" Mounting Arm

|  | Color         | Part No  | Part No  | Part No  |
|--|---------------|----------|----------|----------|
|    | White         | 40023007 | 40023030 | 40023034 |
|    | Silver Gray   | 40023008 | 40023022 | 40023035 |
|   | Charcoal Gray | 40023021 | 40023031 | 40023037 |
|  | Beige         | 40023006 | 40023032 | 40023038 |
|  | Dove Gray     | 40023020 | 40023023 | 40023036 |
|  | Sun Yellow    | 40023009 | 40023024 | 40023039 |
|  | Carrot Orange | 40023010 | 40023025 | 40023040 |
|  | Red           | 40023011 | 40023026 | 40023041 |
|  | Olive Green   | 40023079 | 40023027 | 40023042 |

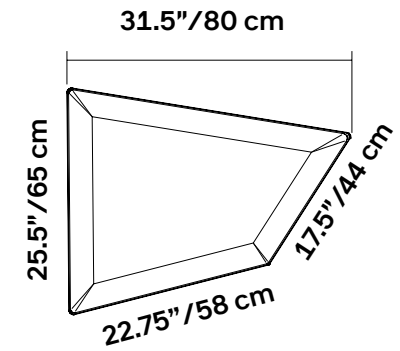
For larger swatches & full color options, please refer to pages 32–34.  
Quick Ship items only show item number without additional notation  
Panels available in special order colors.






Flap



Flap Grande with 3.9" Mounting Arm



Flap Grande with 9" Mounting Arm

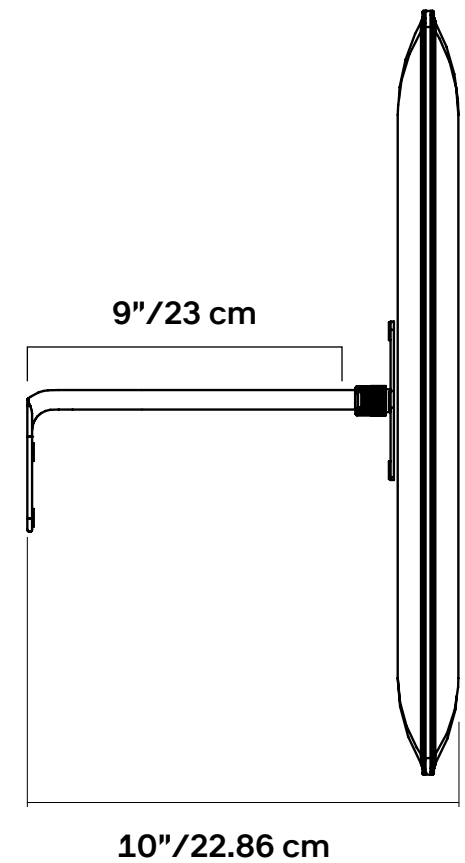
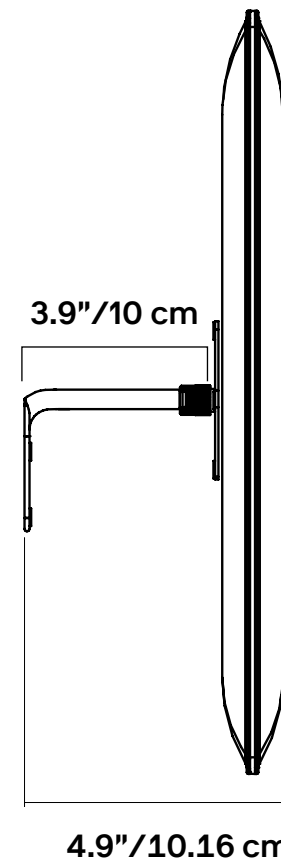
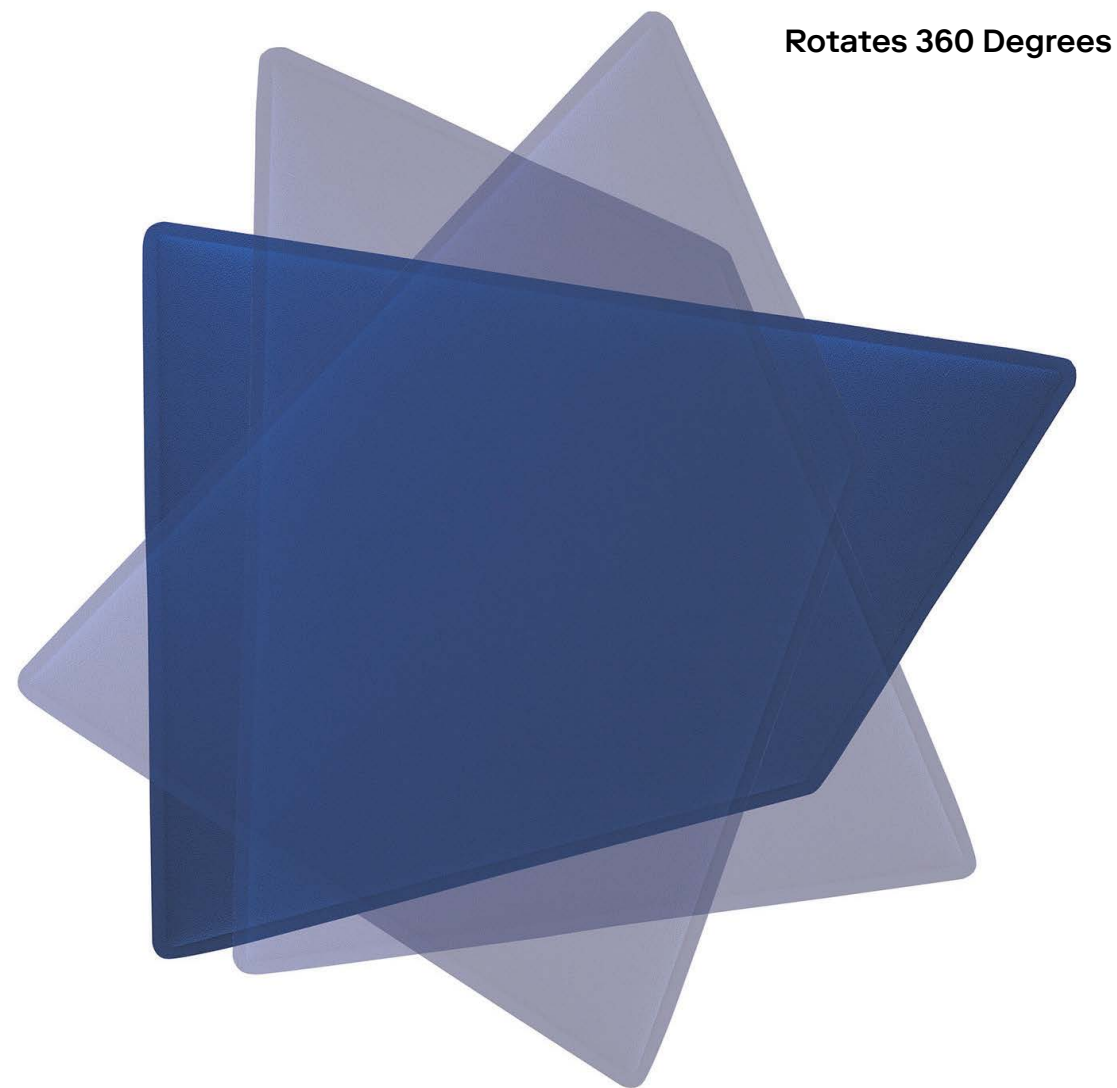
|  | Color       | Part No                        | Part No                                  | Part No                                   |
|--|-------------|--------------------------------|--|---|
|   | Apple Green | 40023012                       | 40023028                                 | 40023043                                  |
|   | Blue        | 40023013                       | 40023029                                 | 40023044                                  |
|  | Black       | 40023014                       | 40023033                                 | 40023045                                  |
|  |             | Special Order Color<br>MOQ: 80 | Special Order Color<br>MOQ: 60           | Special Order Color<br>MOQ: 60            |
|  |             |                                | Includes 3 in. (7.62 cm)<br>Mounting Arm | Includes 8 in. (20.32 cm)<br>Mounting Arm |

Special order colors require:  
– MOQ varies from size to size  
– Lead time up to 14–16 weeks  
– +10% Custom service fee

# MOUNTING ARMS FOR FLAP PANEL

For direct surface mounting on wall or ceiling, please specify one of the two arms below.

|            |                |               |
|------------|----------------|---------------|
| Arm Length | 3.9" (7.62 CM) | 9" (20.32 CM) |
| Part No    | 40024007       | 40024008      |
| QTY        | 01             | 01            |
| Finish     | Chrome         | Chrome        |



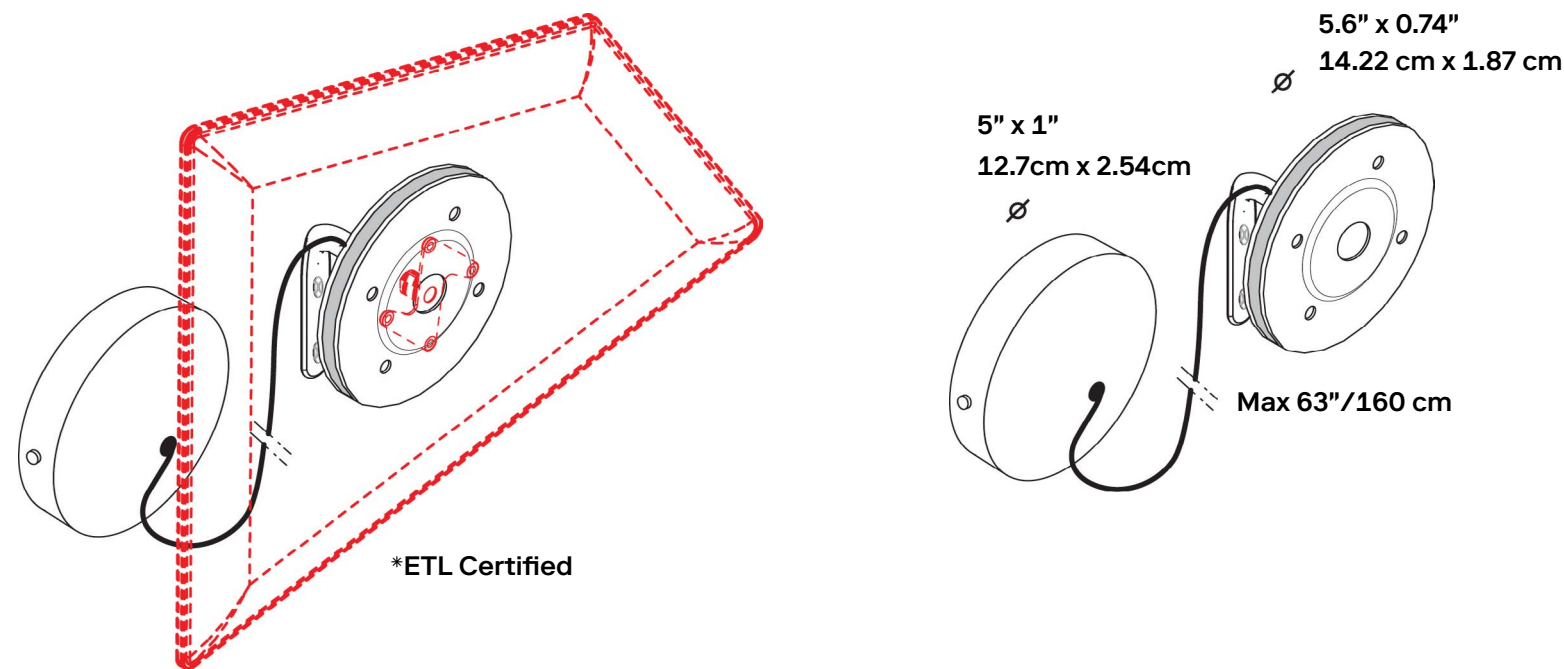
# FLAP / FLAP GRANDE LED KIT

## FLAP LED KIT - SINGLE LIGHT

Led back lighting system for Flap and Flap Grande

|         |              |
|---------|--------------|
| Led     | Single light |
| Part No | 40025093     |
| QTY     | 01 Kit       |

|                   |                                     |
|-------------------|-------------------------------------|
| LED               | 24V.5.6W                            |
|                   | AWM 2464#, 20AWG, 80°C, 300V x 6.5' |
| Input             | AC 100-240V, 50/60Hz, 230mA         |
| Output            | DC 24V, 0.42A                       |
| Chip Brand        | AAA                                 |
| Lumens            | 550                                 |
| Color Temperature | 3000K                               |

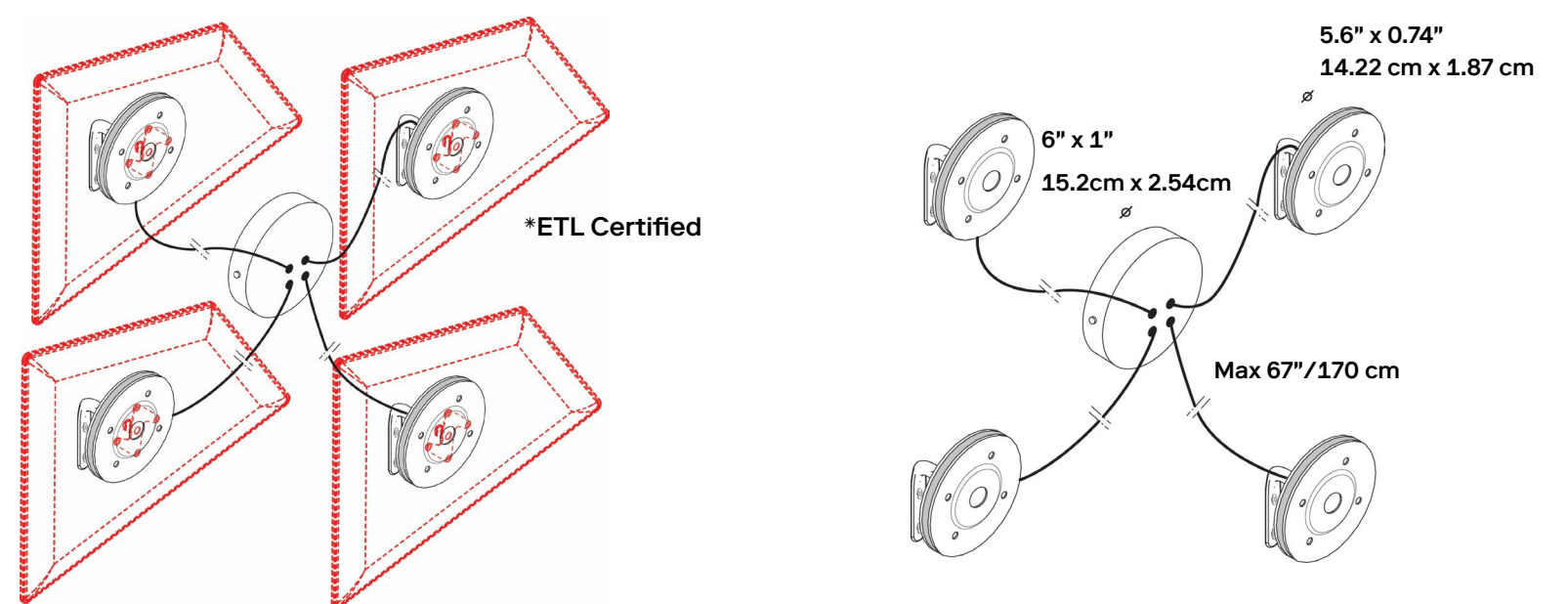


## FLAP LED KIT - 4 LIGHT PACK

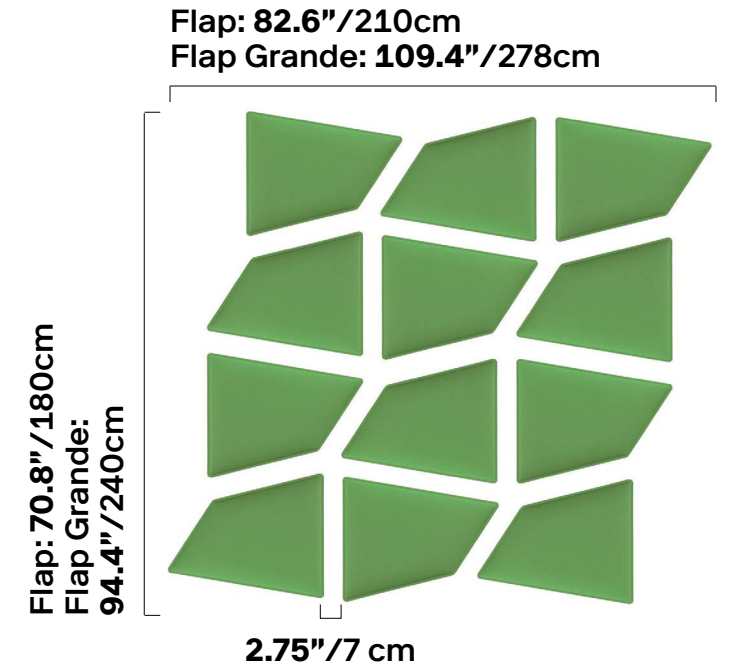
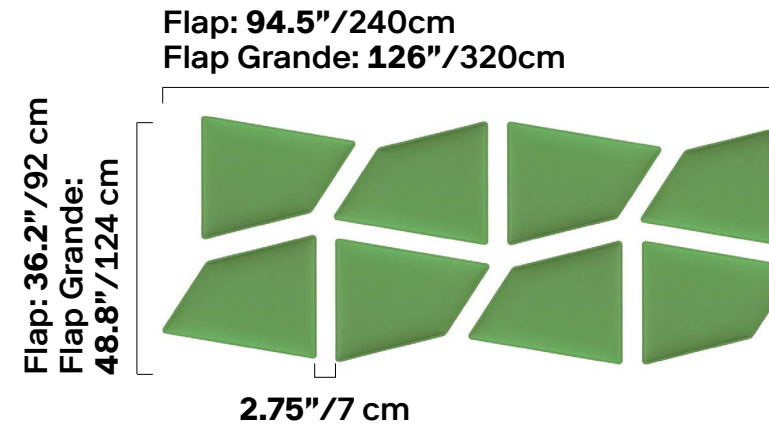
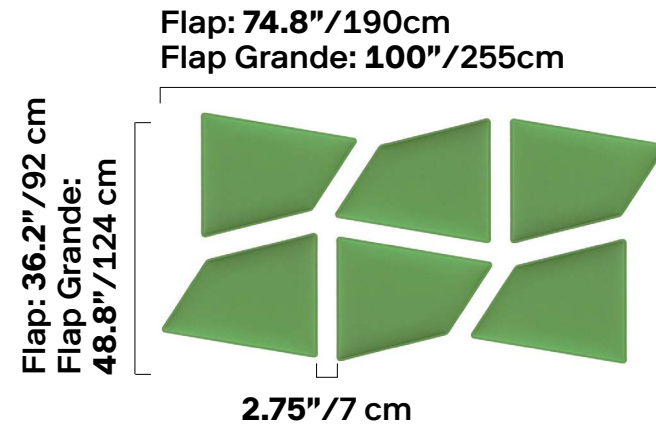
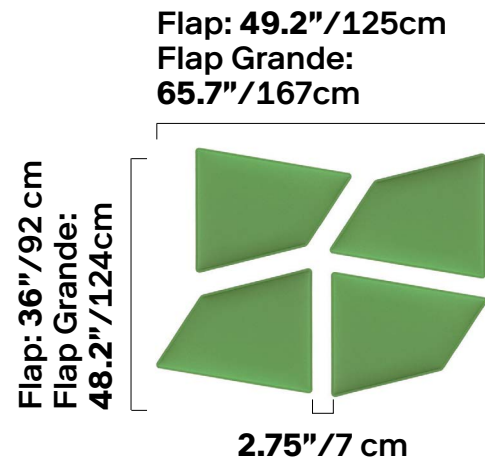
Led back lighting system for Flap and Flap Grande

|         |               |
|---------|---------------|
| Led     | 04 Light pack |
| Part No | 40025092      |
| QTY     | 01 Kit        |

|                   |                                     |
|-------------------|-------------------------------------|
| LED               | 4 Led 24V.5.6W                      |
|                   | AWM 2464#, 20AWG, 80°C, 300V x 6.5' |
| Input             | AC 100-240V, 50/60Hz, 230mA         |
| Output            | DC 24V, 0.42A                       |
| Chip Brand        | AAA                                 |
| Lumens            | 550                                 |
| Color Temperature | 3000K                               |



# FLAP / FLAP GRANDE TYPICALS



Panels FLAP W/ 3.9" ARM

FLAP W/ 3.9" ARM

FLAP W/ 3.9" ARM

FLAP W/ 3.9" ARM

FLAP W/ 9" ARM

FLAP W/ 9" ARM

FLAP W/ 9" ARM

FLAP W/ 9" ARM

FLAP GRANDE W/ 3.9" ARM

FLAP GRANDE W/ 3.9" ARM

FLAP GRANDE W/ 3.9" ARM

FLAP GRANDE W/ 3.9" ARM

FLAP GRANDE W/ 9" ARM

FLAP GRANDE W/ 9" ARM

FLAP GRANDE W/ 9" ARM

FLAP GRANDE W/ 9" ARM



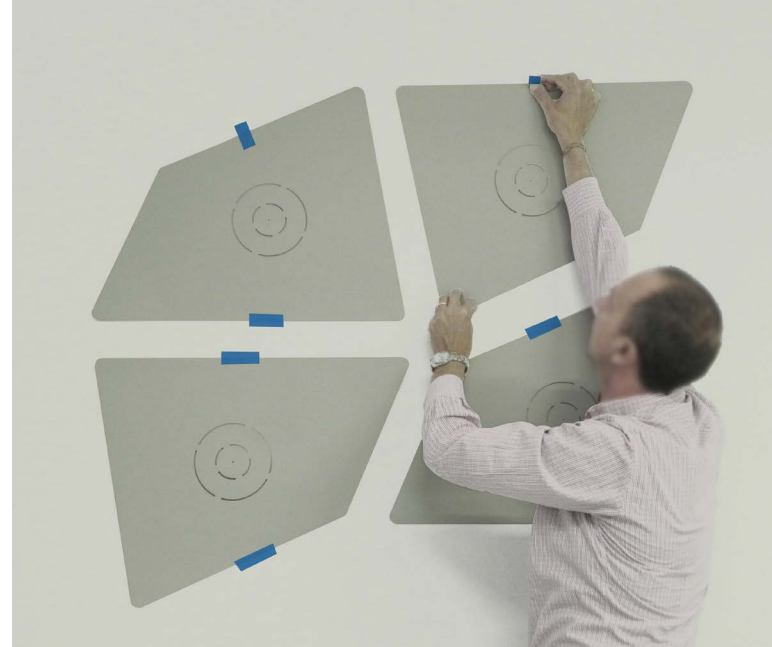
# FLAP / FLAP GRANDE INSTALLATION

Example for the use of templates provided  
With flap/ flap grande

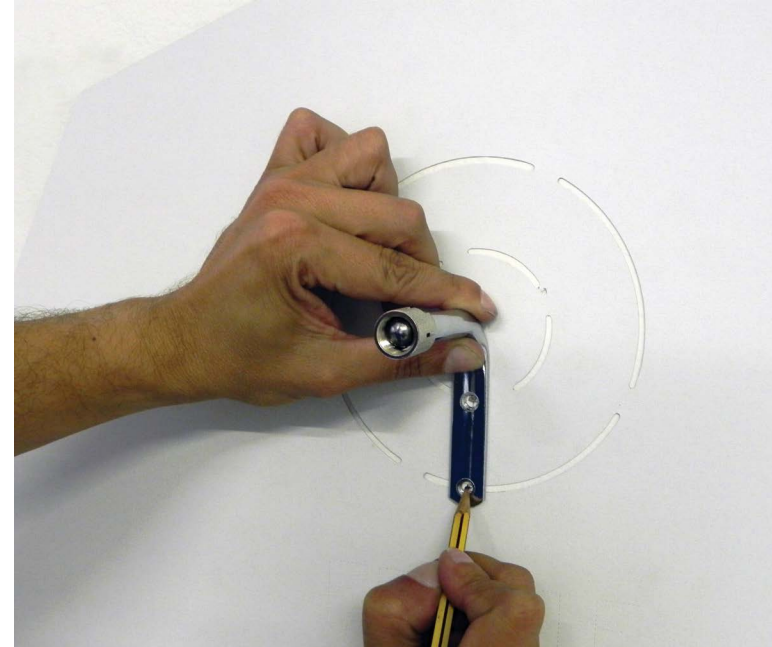
Step 1



Step 2



Step 3



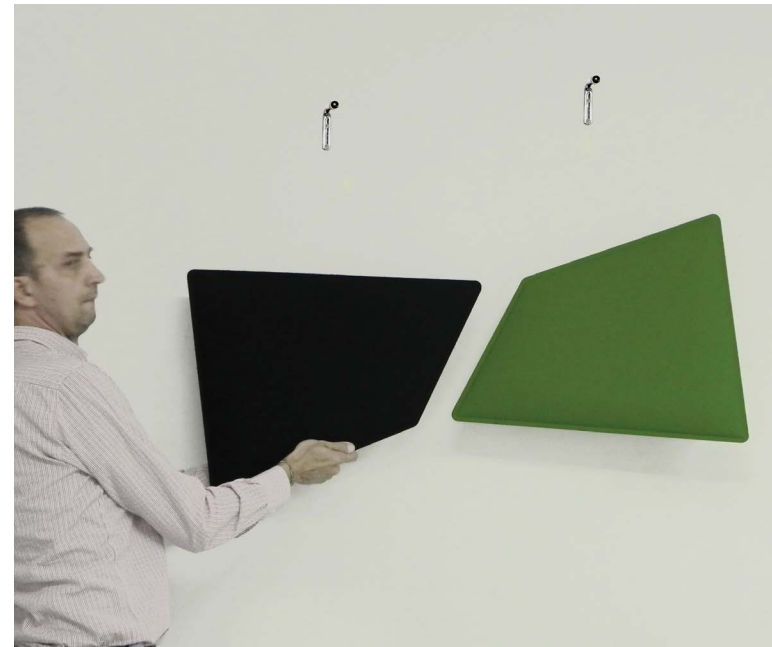
Step 4



Step 5



Step 6



# FLAP TOTEM COMPLETE HARDWARE KIT

(USE ONLY WITH FLAP PANELS)

Please specify FLAP panels separately on pg. 74.

\*Not compatible with FLAP GRANDE.

|            |                                       |
|------------|---------------------------------------|
| Panel size | 19" x 23" (48.2 x 58.4 CM)            |
| Part No    | 40024026                              |
| QTY        | 01 Totem                              |
| Finish     | Chrome pole matte white base          |
| Includes   | Pole, base and decorative back plates |

