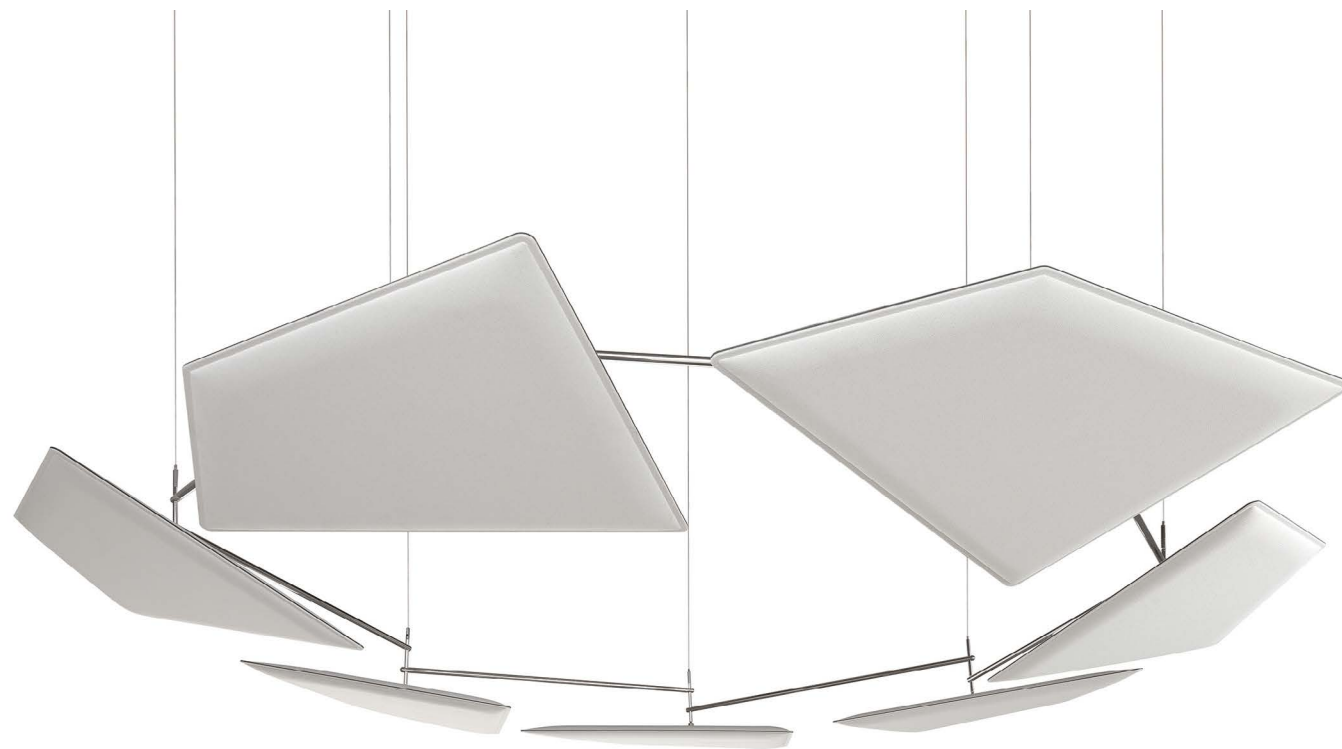


# FLAP CHAIN



# FLAP CHAIN

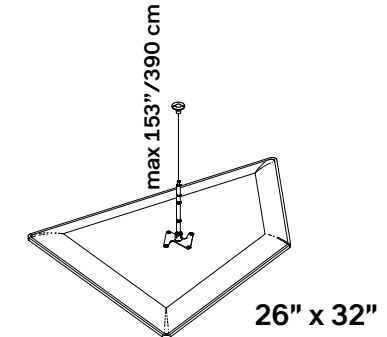
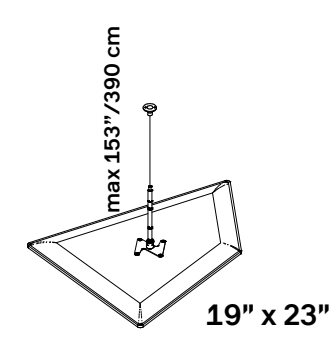
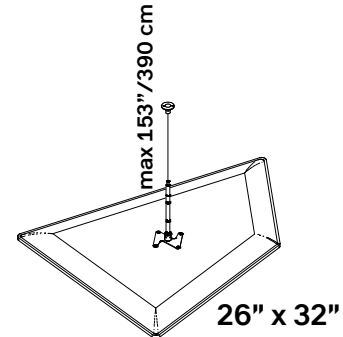
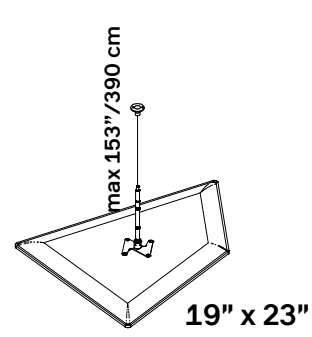
FLAP CHAIN is an infinitely modular ceiling-suspended frame application designed for use with FLAP and FLAP GRANDE panels. Featuring a chrome-plated rod and cable height adjustment system, FLAP CHAIN allows for the suspension of panels in various designs. The application comes equipped with a ceiling fixing kit consisting of a ceiling plate with two holes and steel cable. Panels can be tilted in any direction and can rotate 360 degrees.













|        |  |
|--------|--|
| Specs  | Polyester internal padding with Snowsound technology, polyester covering in Trevira CS® fabric |
|        | Single material and 100% recyclable  |
|        | Eco friendly – Greenguard Gold   |
|        | Durable, tackable double-sided surface   |
|        | Patented variable density composition  |
|        | Class A sound absorption with NRC 1.0 (ISO 354/ASTM C423/ISO 11654)                            |
|        | Absorbs 94% of human speech frequencies  |
|        | Class A fire and smoke safety (UL 723/ASTM E84)  |
|        | CAL 133, 117 pass  |
|        | Sleek profile at only 1.4” thick   |
|        | Ceiling suspended  |
|        | CE certified for ceiling application   |
|        | Modular  |
|        | Tilts and rotates  |
| Design | Alberto and Francesco Meda   |

# FLAP CHAIN COMPLETE SET

Call your representative for stock levels and availability



|  | Color            | Part No  | Part No  |
|--|------------------|----------|----------|
|    | White            | 40023095 | 40023107 |
|    | Silver<br>Gray   | 40023096 | 40023108 |
|    | Charcoal<br>Gray | 40023105 | 40023117 |
|    | Beige            | 40023097 | 40023109 |
|   | Dove<br>Gray     | 40023104 | 40023116 |
|  | Sun<br>Yellow    | 40023098 | 40023110 |
|  | Carrot<br>Orange | 40023099 | 40023111 |
|  | Red              | 40023100 | 40023112 |
|  | Olive<br>Green   | 40023106 | 40023118 |

|   | Color          | Part No                        | Part No                        |
|---|----------------|--------------------------------|--------------------------------|
|  | Apple<br>Green | 40023101                       | 40023113                       |
|  | Blue           | 40023102                       | 40023114                       |
|  | Black          | 40023103                       | 40023115                       |
|   |                | Special Order Color<br>MOQ: 80 | Special Order Color<br>MOQ: 60 |

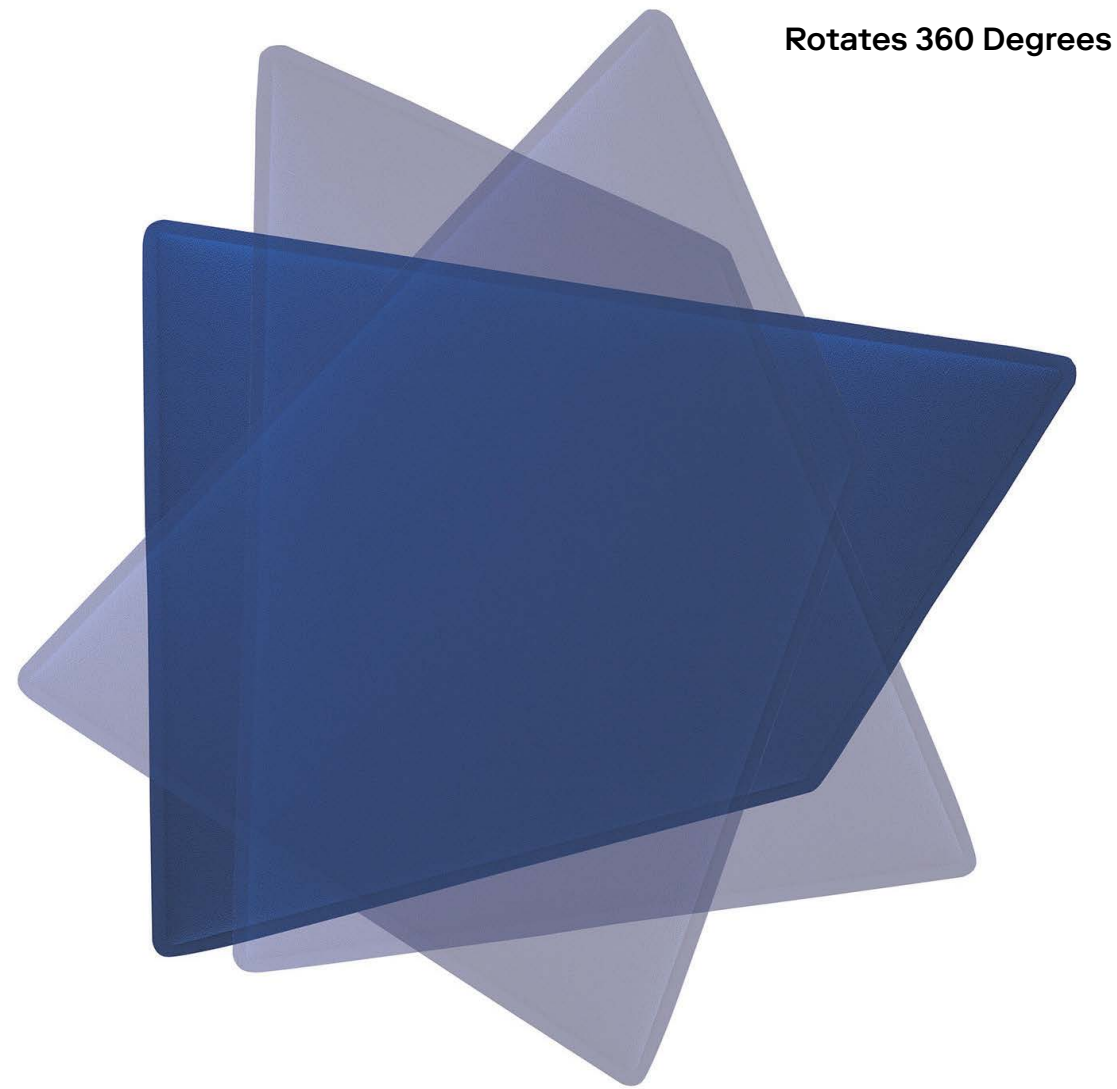
For larger swatches & full color options, please refer to pages 32–34.  
Quick Ship items only show item number without additional notation  
Panels available in special order colors.

Special order colors require:  
– MOQ varies from size to size  
– Lead time up to 14–16 weeks  
– +10% Custom service fee

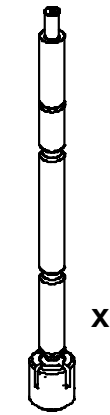
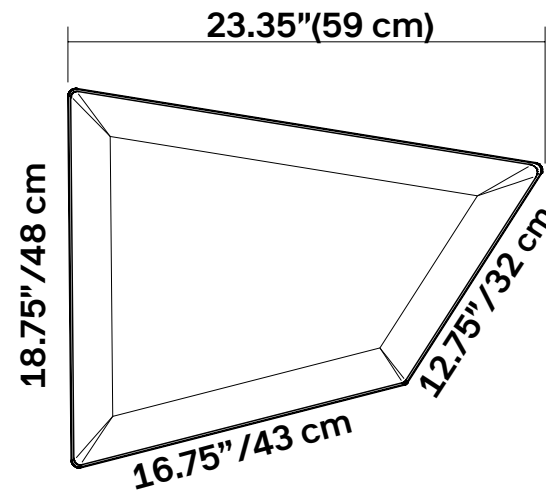


# FLAP CHAIN COMPLETE SET

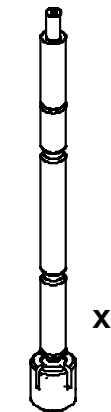
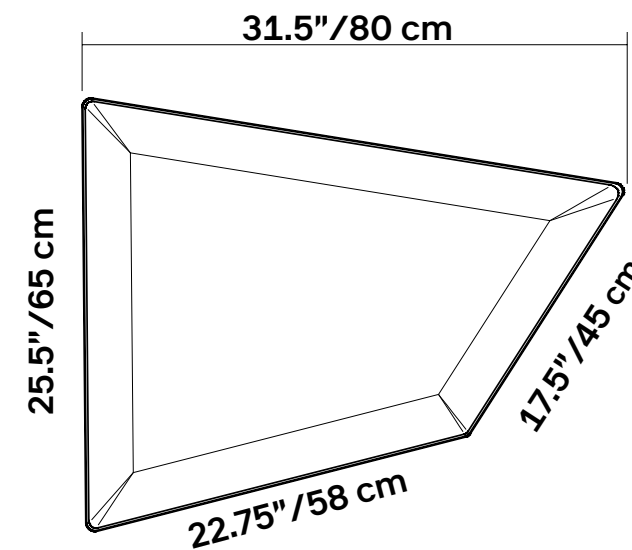
|              |                  |
|--------------|------------------|
| Kit includes | 01 Panel         |
|              | 01 Cable         |
|              | 01 Ceiling plate |
|              | 01 7.8"/20cm arm |



Flap Chain 19" x 23"  
Weight: 2.26 lbs



Flap Chain 26" x 32"  
Weight: 3.5 lbs

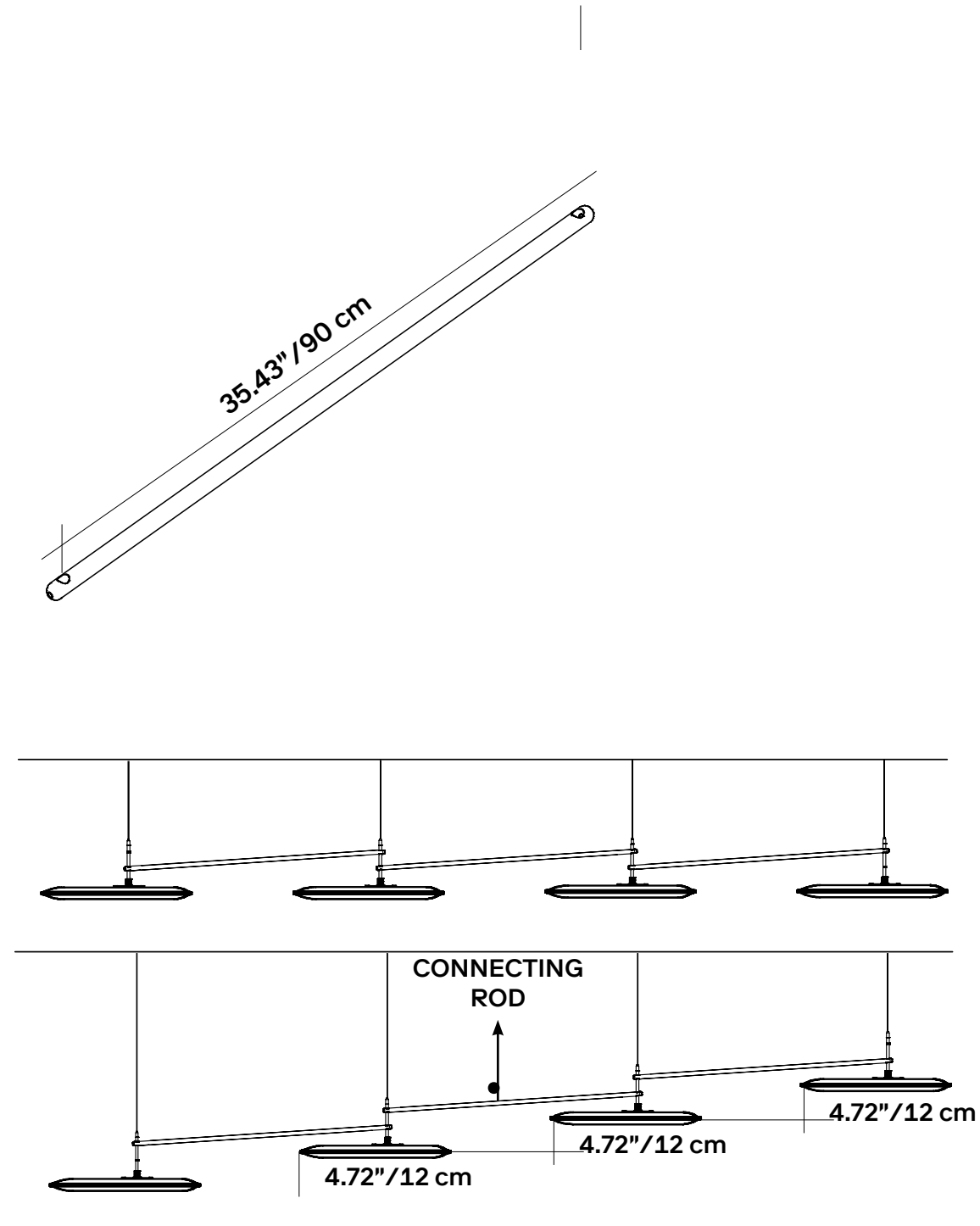


# STEEL CONNECTING ROD

## FLAP LED KIT - 4 LIGHT PACK

Led back lighting system for Flap and Flap Grande

|            |               |
|------------|---------------|
| Panel size | Both Sizes    |
| Part No    | 40025161      |
| QTY        | 01 Rod        |
| Finish     | Chrome Plated |



NOTE: Flap Chain arrangement is compatible with both FLAP sizes: Standard and Grande. Panels on the chain system can be mixed with both sizes or all the same.

# FLAP CHAIN TYPICALS

