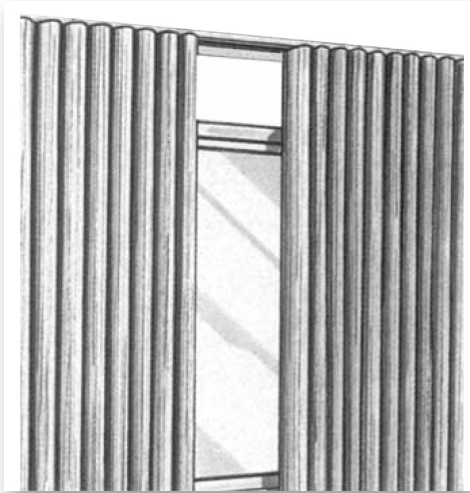
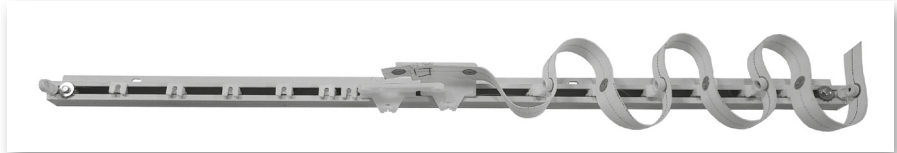


Wall-Mounted Curtain Track

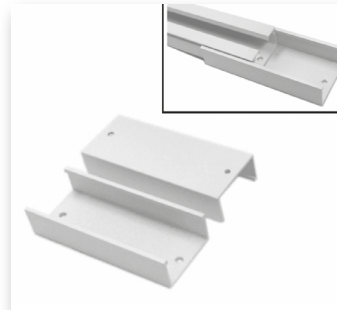
Snowsound Fiber Finished Curtain Parts List



Finished Curtain Panels



Track for Ceiling Mounting

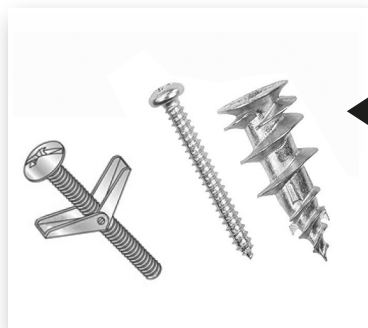


Splice (not applicable on all curtain types)



Wall Brackets (qty. depends on width of curtains)

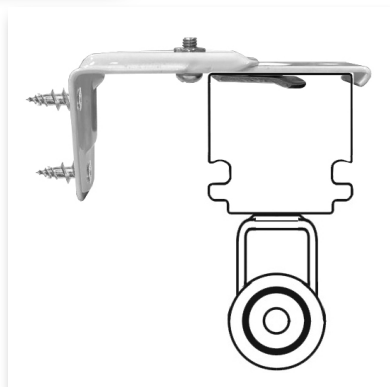
1. Fasten Curtain Track with Screws with Anchors to Wall



Wall Anchor Options

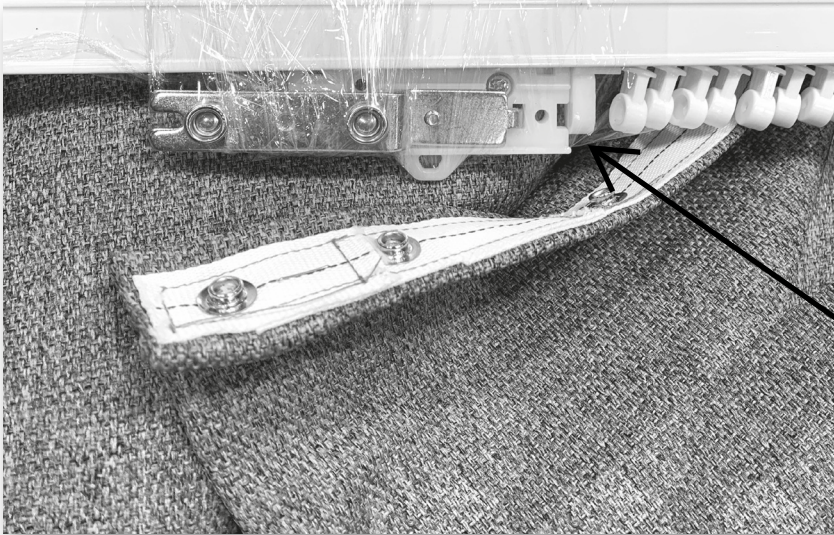


Insert Ceiling Anchors and Screws 16" Apart on Back Side of Ceiling Track.



Curtain Track Profile

3. Connect Curtain to Curtain Track



◀ Snap Buttons on Curtain to Plastic Rings and Metal Bracket.

*Note - if your curtain contains multiple panels, begin buttoning curtain to the master, and then work your way 'away' from master.

Master

3. Connect Baton



◀ Connect Baton to Plastic Loop on Curtain Track.