

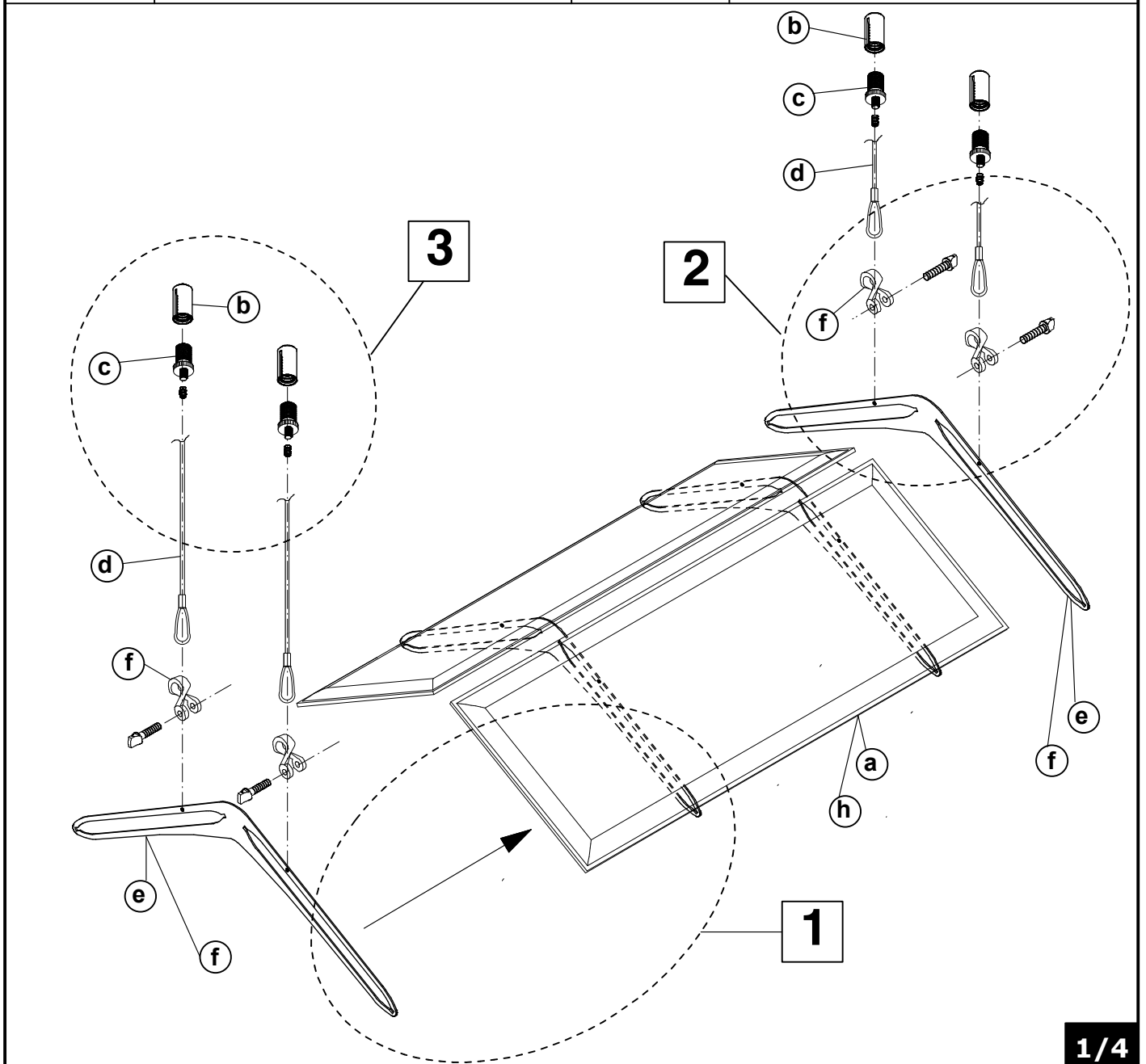
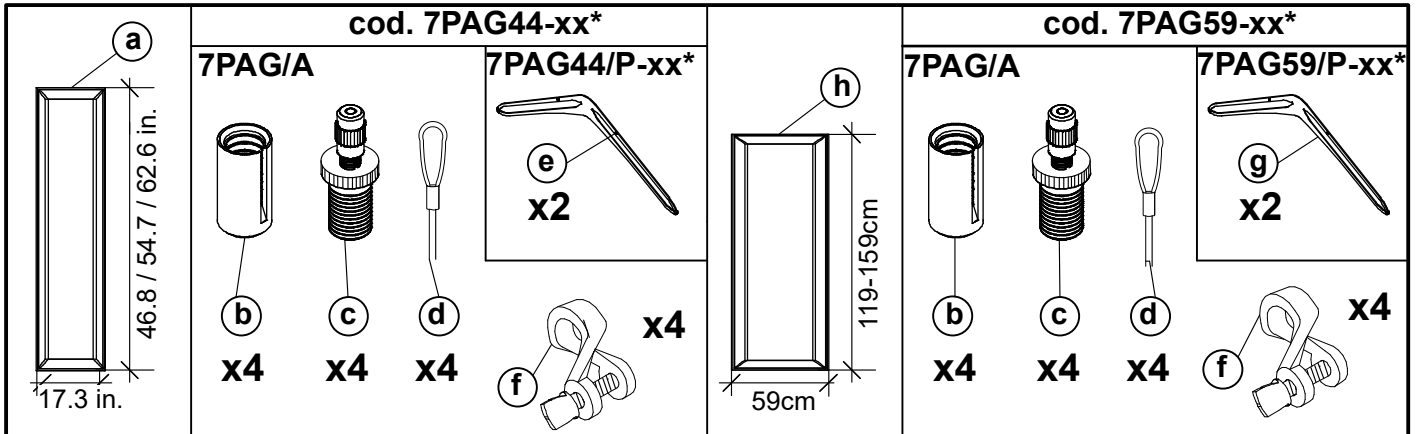
# SNOWSOUND®

Acoustics & Well-Being Technologies

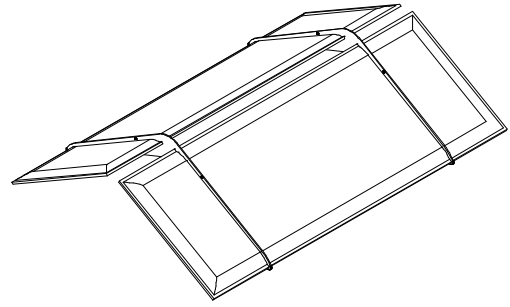
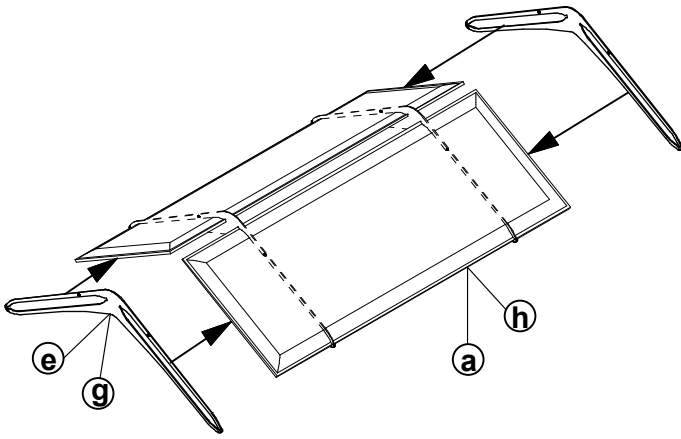
# PAGODA

Design: Caimi Lab

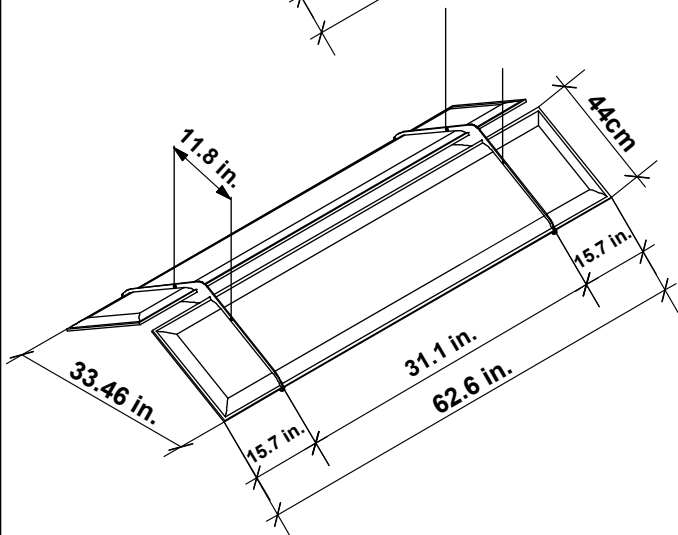
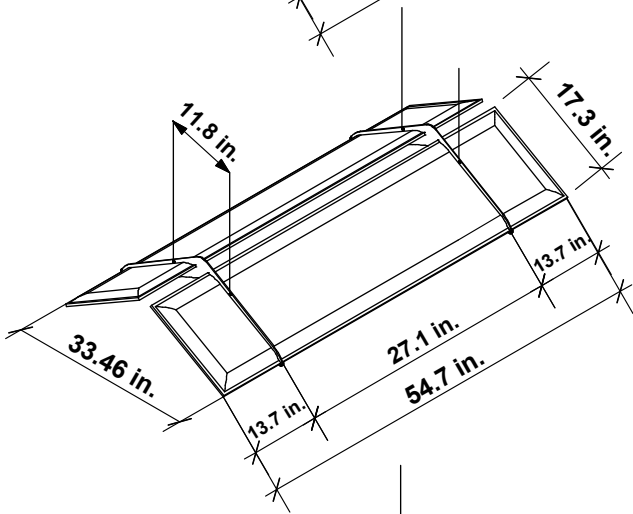
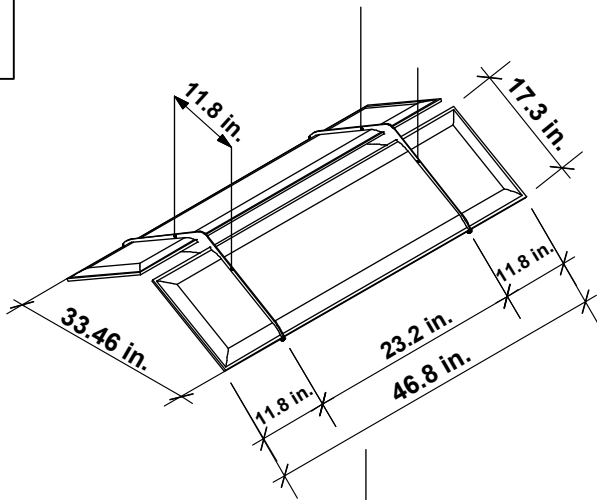
\*(xx = color alternative)



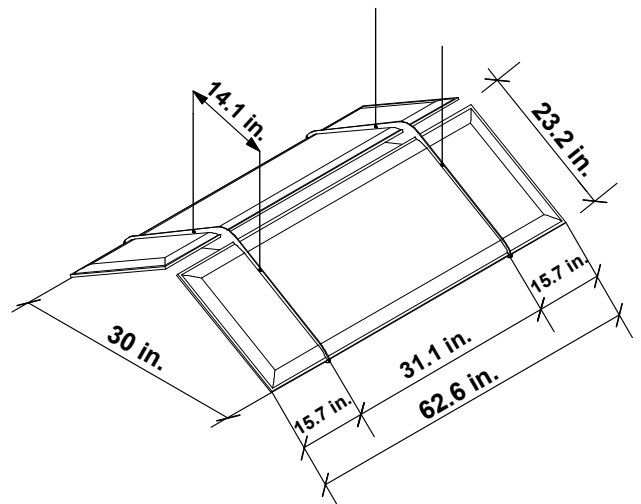
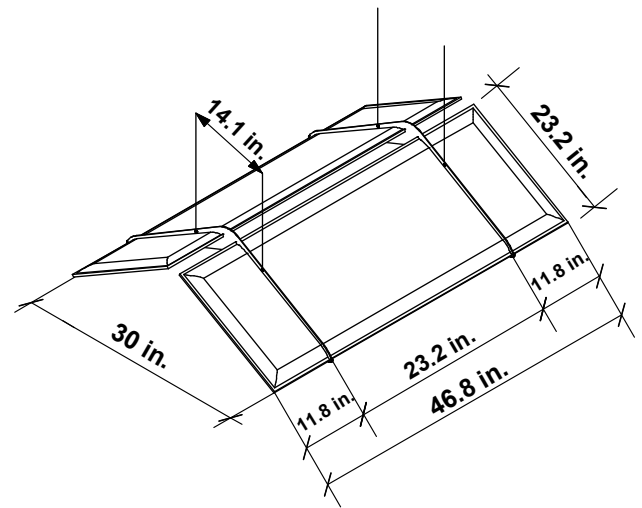
1

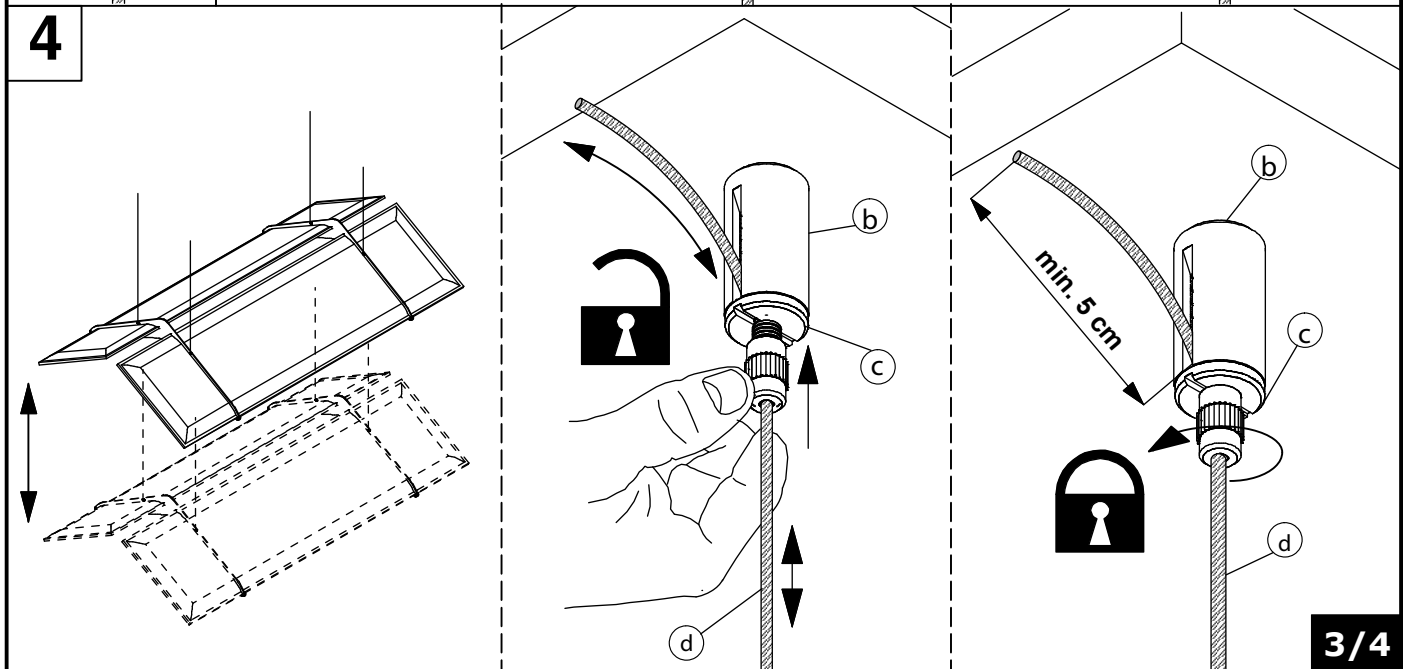
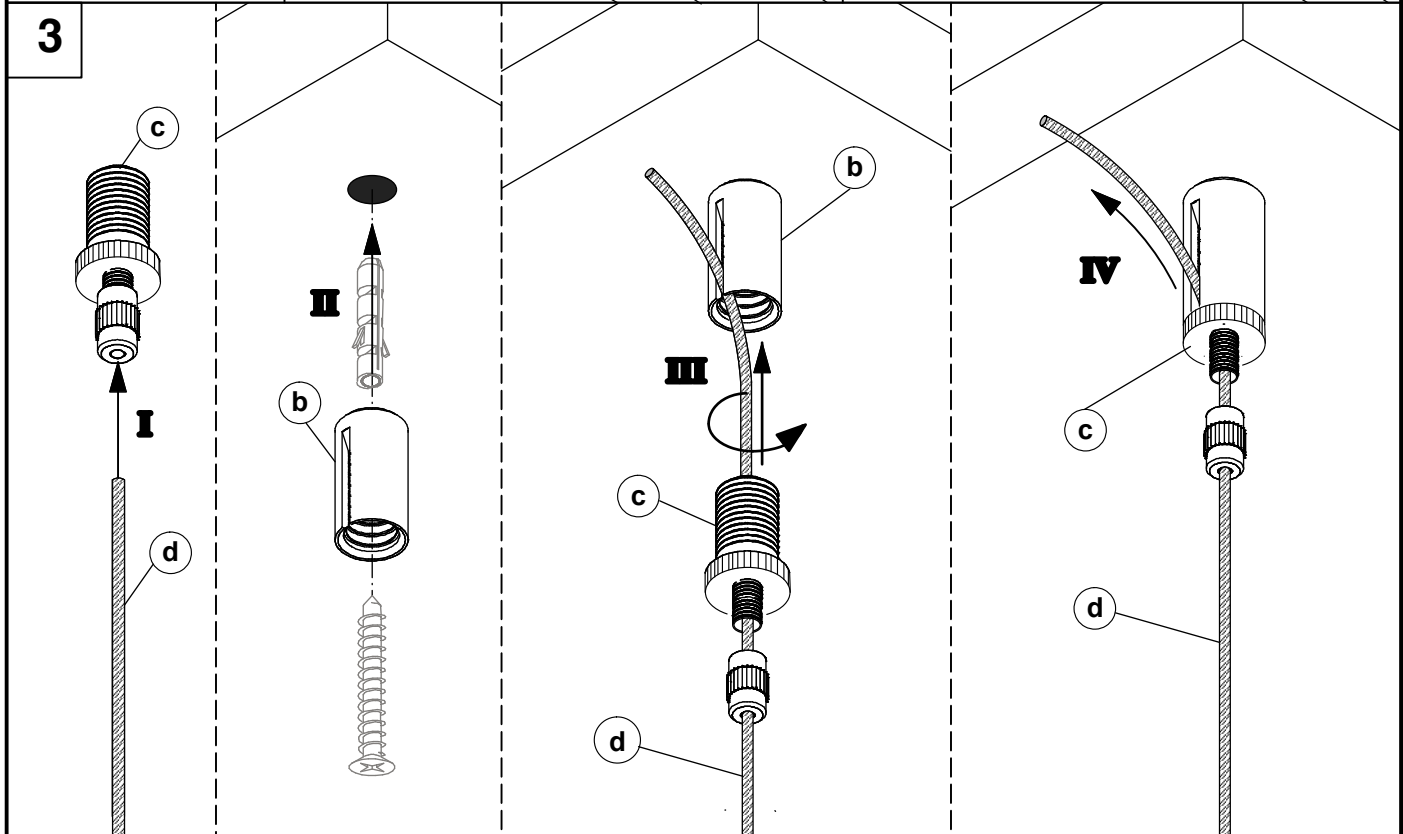
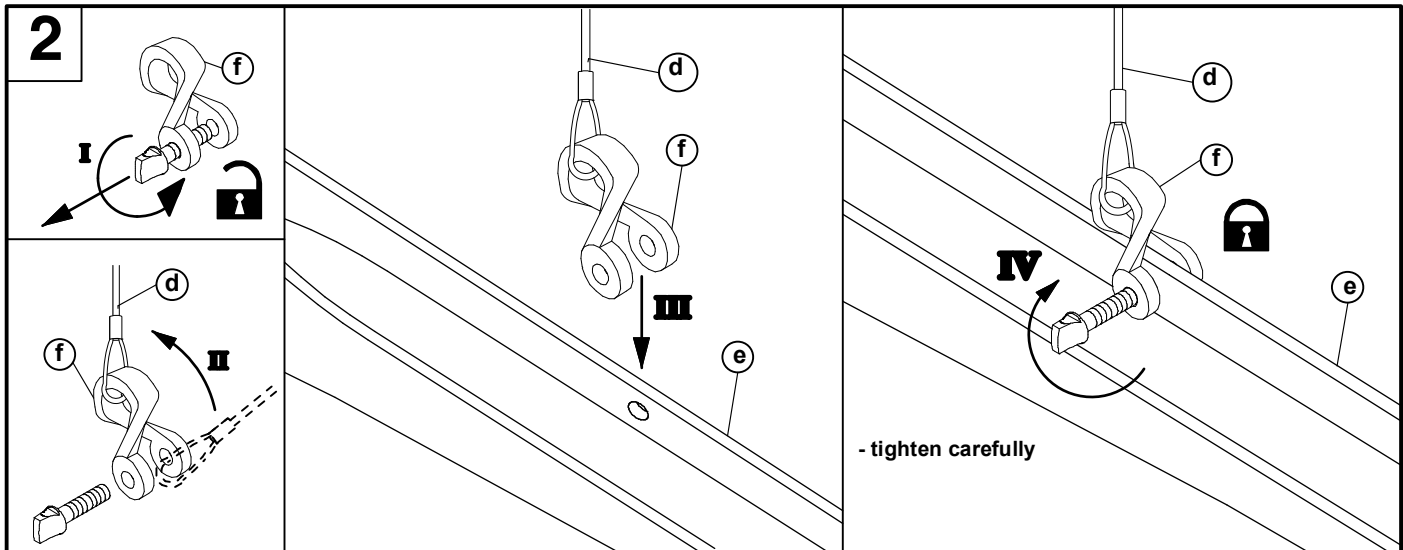


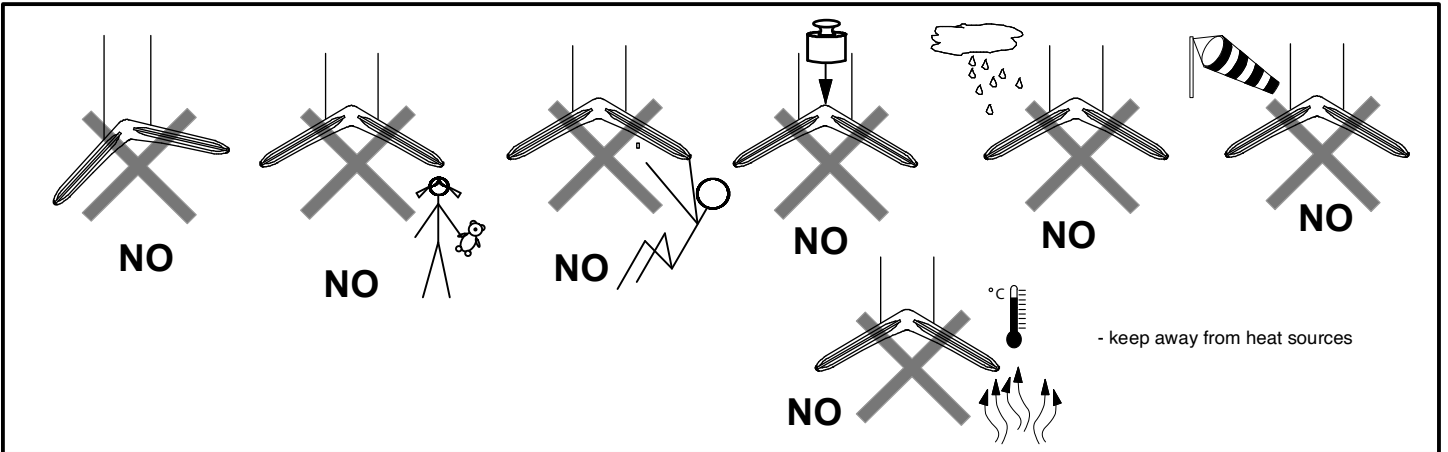
1a



1b







**NOTE!**

**Prior to assembling and installing the unit please read the following notes carefully. Pay particular attention to the drawings in the assembly instructions. Please consult these notes every time the product is assembled and/or installed.**

1. The product must only be assembled and installed by competent fitters. Warning: once the product has been assembled always check that the structure is suitable for the type of application and/or use to which it will be put. These products are not suitable for use by children.
2. Prior to installation check the load bearing capacity of the surface on which the product is to be fitted, use suitable fixings according to the type of surface which must be able to withstand the forces generated. Warning: the surface must be vertical, flat, rigid and non-deformable
3. Warning: if you have any doubts concerning how to install the product and/or the load bearing capacity of the surface on which it will be fitted, do not fit it.
4. **To clean the panel (a-h)** use only a dry stain removal, carefully following the instructions on the product used.
5. **Do not use detergents to clean the parts that are not in textile fabric.** Use only a cloth damp with water.
6. For further information on how to install the product, please contact your dealer. For any use different from the ones here shown please contact the dealer.
7. Periodically check that the mechanical tightening systems are properly fixed.