



### GIOTTO WALL

Panel with polyester internal padding with Snowsound® Technology variable density. Polyester covering in Trevira CS® fabric. Complete with wall mounting bracket in chrome-plated steel or gloss black finish.

### GIOTTO LUX

Sound absorbing panels in a circular shape, at the center of which is a light fixture in enameled metal with a LED light source, protected by a shade in frosted white polyethylene that achieves uniform light distribution.



### GIOTTO CEILING

Panel with polyester internal padding with Snowsound® Technology variable density. Polyester covering in Trevira CS® fabric. Equipped with steel frame and "Kit" for the ceiling suspension composed of: 3 ceiling plates with 2 holes, 3 steel cables, 3 cable fasteners for frame.

- Polyester internal padding with Snowsound technology, polyester covering in Trevira CS® fabric
- Single material and 100% recyclable
- Eco friendly - Greenguard Gold
- Durable, tackable double-sided surface
- Patented variable density composition
- Class A sound absorption with NRC 1.0 (ISO 354/ASTM C423/ISO 11654)
- Absorbs 94% of human speech frequencies
- Class A fire and smoke safety (UL 723/ASTM E84)
- CAL 133, 117 pass
- Sleek profile at only 1.4" thick
- Ceiling suspended/wall mounted

DESIGN: SEZGIN ASKU

## CEILING LUX - COMPLETE KIT

QUICK SHIP	COLOR	KIT ITEM#
	WHITE	40025276
	SILVER GRAY	40025277
	BEIGE	40025278
<b>EXT. LEAD TIME</b>	COLOR	KIT ITEM#
	CARROT ORANGE	40025279

**EXTENDED LEAD TIME COLORS REQUIRE:**

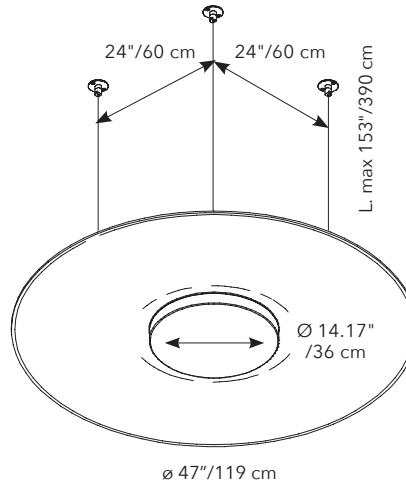
- LEAD TIME UP TO 10-12 WEEKS

Call your local representative for stock levels and availability

**PANELS AVAILABLE IN SPECIAL ORDER COLORS.**

PLEASE REFER TO THE COLOR OPTIONS ON PAGES 6, 7 & 8. SPECIAL ORDER COLORS REQUIRE:

- MINIMUM ORDER QUANTITY 18 PER COLOR
- LEAD TIME UP TO 14-16 WEEKS
- +10% CUSTOM SERVICE FEE




Kit includes: 1 GIOTTO panel with lighting system

# GIOTTO LUX



- Wattage/Lumens: 25W/ 1200 LM
- CCT: 3000K
- Projected lifetime: 30,000 hours
- Operating Temperature: 20°C - 50°C

## CEILING OVAL LUX - COMPLETE KIT

EXT. LEAD TIME	COLOR	KIT ITEM#
	WHITE	40025280
	SILVER GRAY	40025281
	BEIGE	40025282
	CARROT ORANGE	40025283

**EXTENDED LEAD TIME COLORS REQUIRE:**

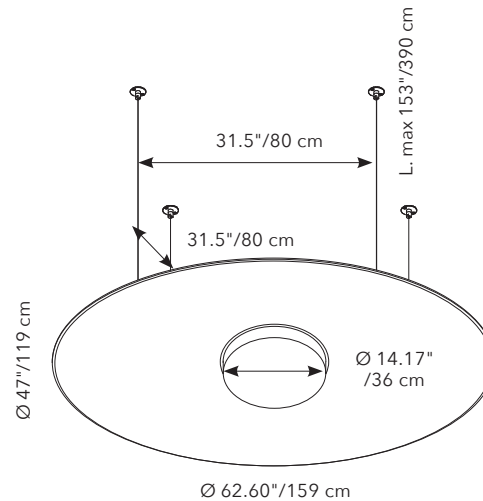
- LEAD TIME UP TO 10-12 WEEKS

Call your local representative for stock levels and availability

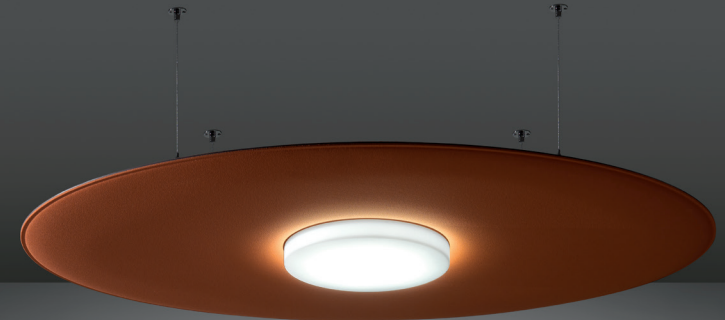
**PANELS AVAILABLE IN SPECIAL ORDER COLORS.**

PLEASE REFER TO THE COLOR OPTIONS ON PAGES 6, 7 & 8. SPECIAL ORDER COLORS REQUIRE:

- MINIMUM ORDER QUANTITY 18 PER COLOR
- LEAD TIME UP TO 14-16 WEEKS
- +10% CUSTOM SERVICE FEE



Kit includes: 1 OVAL panel with lighting system



- Wattage/Lumens: 25W/ 1200 LM
- CCT: 3000K
- Projected lifetime: 30,000 hours
- Operating Temperature: 20°C - 50°C