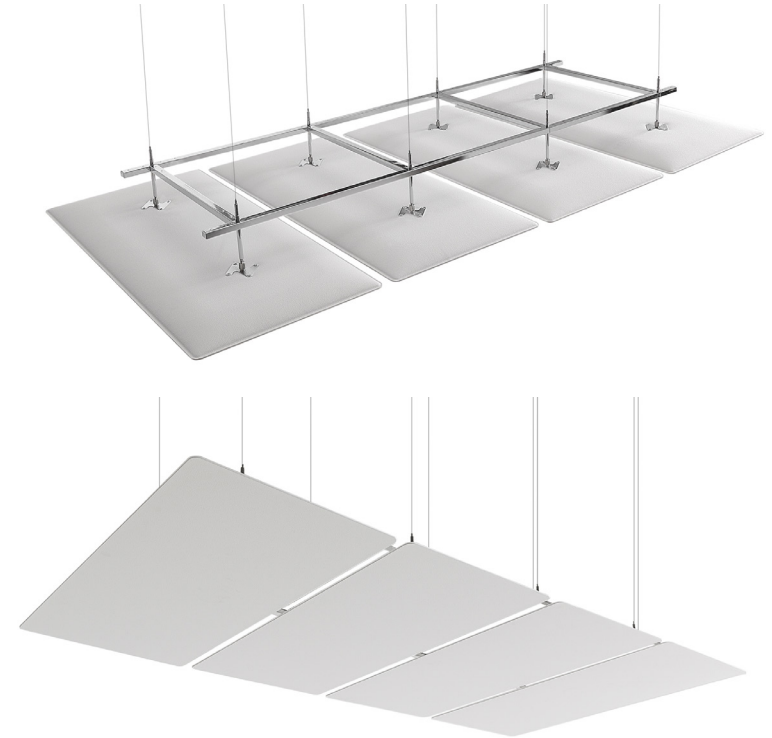


NEW




FLOAT

A modular sound-absorbing system consisting of panels made with polyester internal padding with Snowsound® Technology variable density. Polyester covering in Trevira CS® fabric. Thanks to their minimalist and multiple compositional possibilities, Float panels offer elegant and functional solutions for small and large spaces alike.



- Polyester internal padding with Snowsound technology, polyester covering in Trevira CS® fabric
- Single material and 100% recyclable
- Eco friendly - Greenguard Gold
- Durable, tackable double-sided surface
- Patented variable density composition
- Class A sound absorption with NRC 1.0 (ISO 354/ASTM C423/ISO 11654)
- Absorbs 94% of human speech frequencies
- Class A fire and smoke safety (UL 723/ASTM E84)
- CAL 133, 117 pass
- Sleek profile at only 1.4" thick
- Ceiling suspended
- CE certified for ceiling application

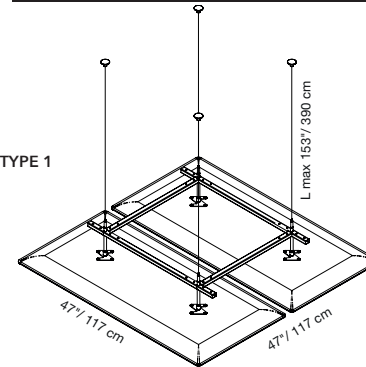
STARTING MODULE 2 PANEL 47"x 47" - COMPLETE KIT

QUICK SHIP	COLOR	PART #
	WHITE	40051069

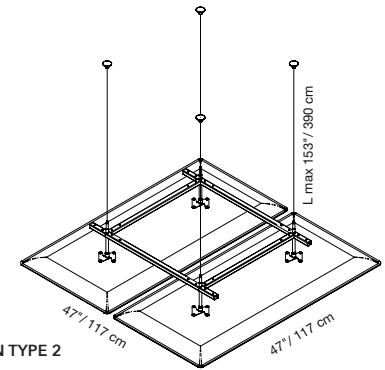
Kit includes: (2) adjustable panels, (4) cables, (4) ceiling plates, (1) ceiling frame, and (2) hangings

* For ceiling suspended mounting.


INSTALLATION TYPE 1



INSTALLATION TYPE 2



ADDER MODULE - SINGLE UNIT 1 PANEL 23.5"x 47" - COMPLETE KIT

QUICK SHIP	COLOR	PART #
	WHITE	40052007

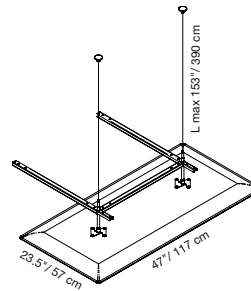
Kit includes: (1) adjustable panel, (2) cables, (2) ceiling plates, (1) ceiling frame, and (2) hangings

* For ceiling suspended mounting.

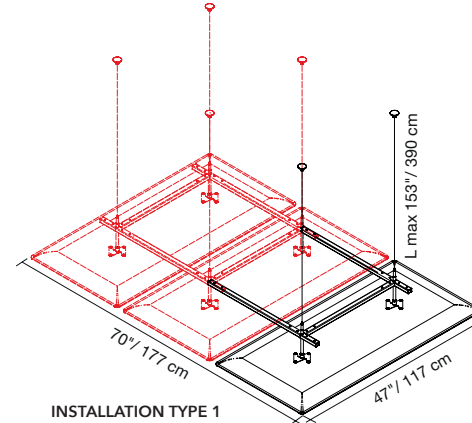
Call your local representative for stock levels and availability

PANELS AVAILABLE IN SPECIAL ORDER COLORS. PLEASE REFER TO THE COLOR OPTIONS ON PAGES 6, 7 & 8. SPECIAL ORDER COLORS REQUIRE:

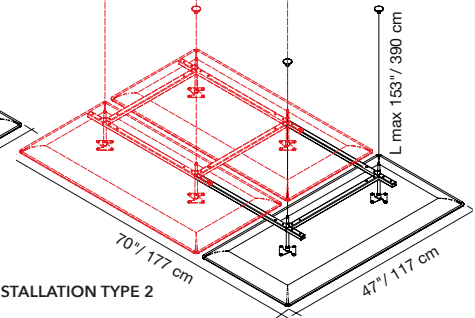
- MINIMUM ORDER QUANTITY 60 PER COLOR
- LEAD TIME UP TO 14-16 WEEKS
- +10% CUSTOM SERVICE FEE




INSTALLATION TYPE 1



INSTALLATION TYPE 2



ADDER MODULE - DOUBLE UNIT 2 PANEL 47"x 47" - COMPLETE KIT

QUICK SHIP	COLOR	PART #
	WHITE	40052008

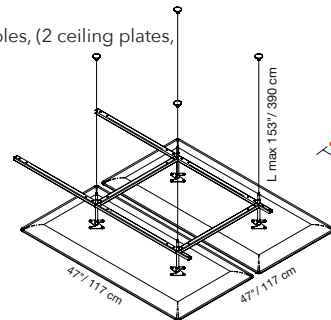
Kit includes: (2) adjustable panel, (2) cables, (2) ceiling plates, (1) ceiling frame, and (4) hangings

* For ceiling suspended mounting.

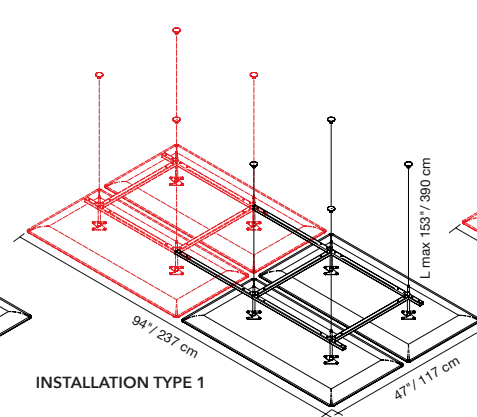
Call your local representative for stock levels and availability

PANELS AVAILABLE IN SPECIAL ORDER COLORS. PLEASE REFER TO THE COLOR OPTIONS ON PAGES 6, 7 & 8. SPECIAL ORDER COLORS REQUIRE:

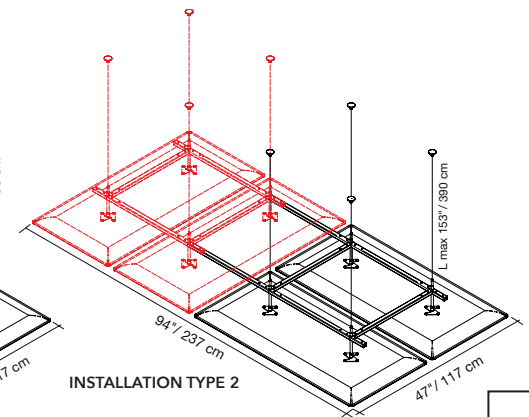
- MINIMUM ORDER QUANTITY 60 PER COLOR
- LEAD TIME UP TO 14-16 WEEKS
- +10% CUSTOM SERVICE FEE



INSTALLATION TYPE 1

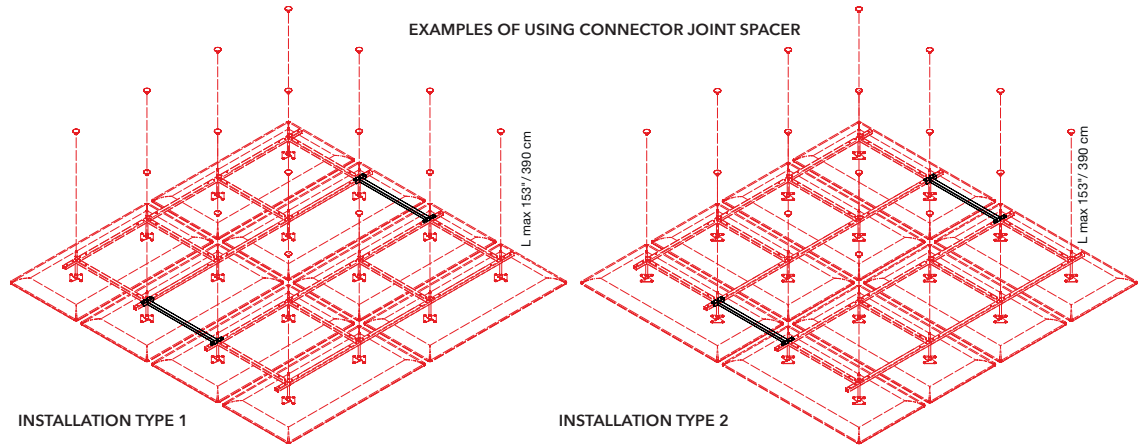
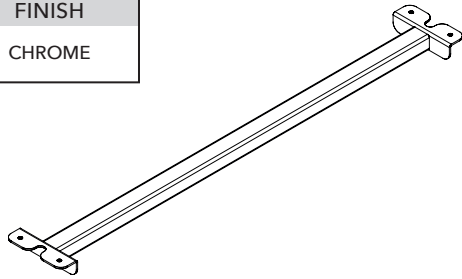


INSTALLATION TYPE 2



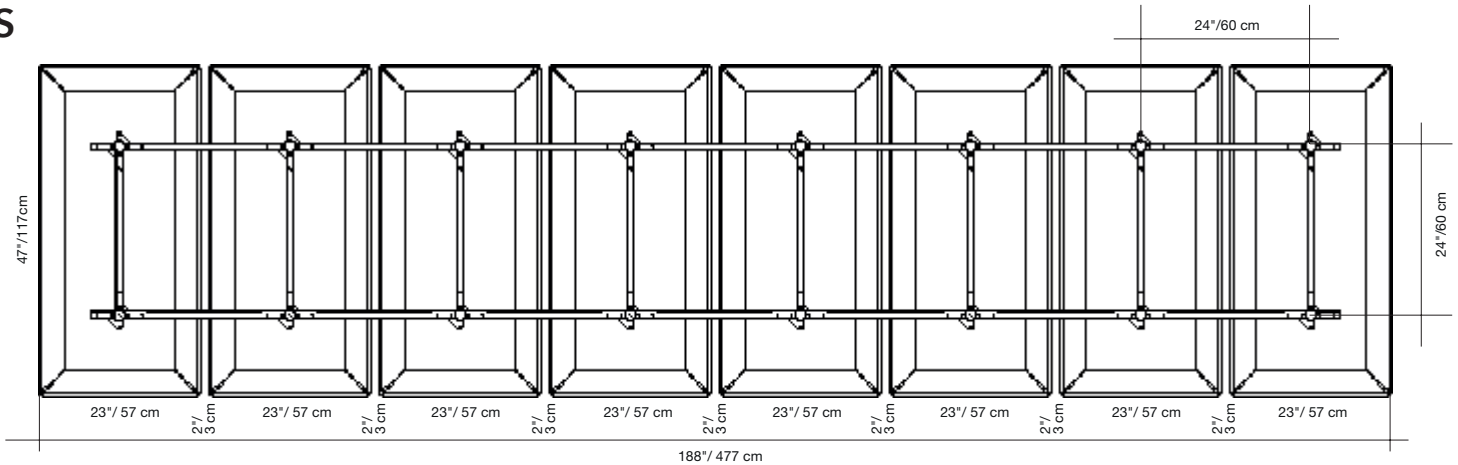
CONNECTOR JOINT

PART #	QTY	FINISH
40052006	1	CHROME

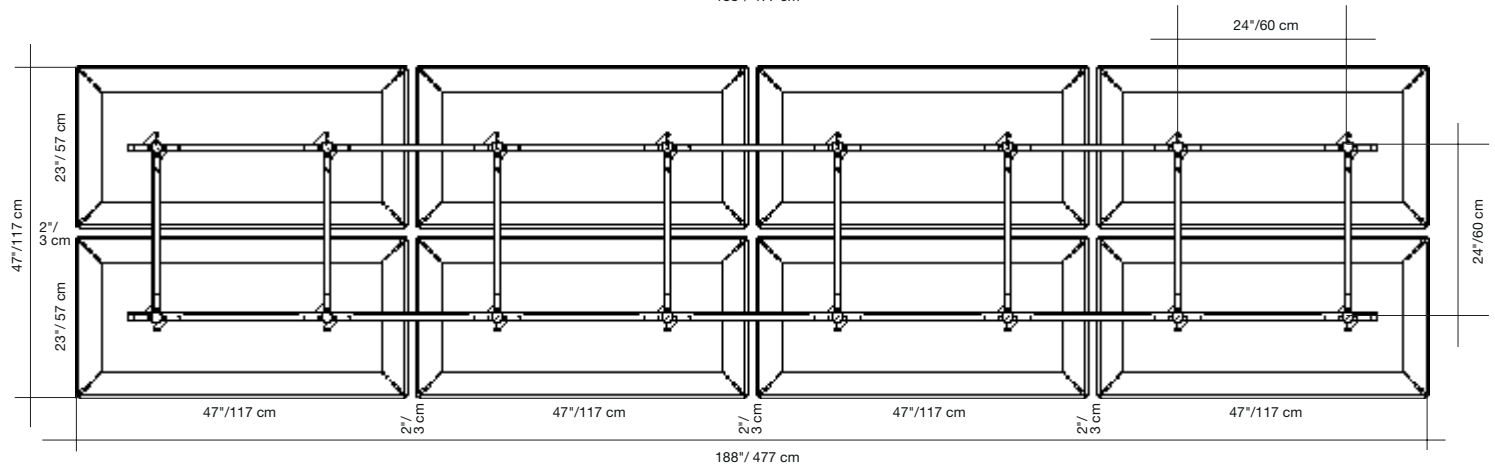


FLOAT CEILING TYPICALS

TO SPECIFY:
 QTY (1) OF STARTING MODULE (40051069)
 + QTY (3) OF ADDER MODULE (40052008)

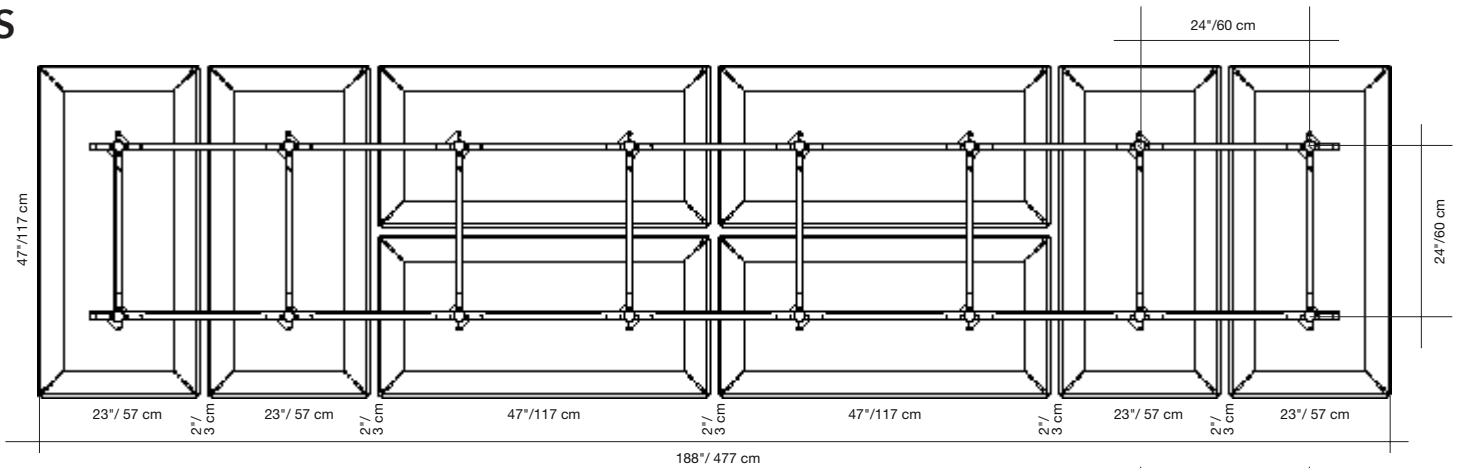


TO SPECIFY:
 QTY (1) OF STARTING MODULE (40051069)
 + QTY (3) OF ADDER MODULE (40052008)



FLOAT CEILING TYPICALS

TO SPECIFY:
 QTY (1) OF STARTING MODULE (40051069)
 + QTY (3) OF ADDER MODULE (40052008)



TO SPECIFY:
 QTY (1) OF STARTING MODULE (40051069)
 + QTY (3) OF ADDER MODULE (40052008)

