

FLAP/ FLAP GRANDE

FLAP/ FLAP GRANDE panels use patented Snowsound® technology to visually and acoustically enhance interior spaces. Designers can configure the uniquely shaped panels in artistic wall or ceiling patterns.

- Polyester internal padding with Snowsound technology, polyester covering in Trevira CS® fabric
- Single material and 100% recyclable
- Eco friendly - Greenguard Gold
- Durable, tackable double-sided surface
- Patented variable density composition
- Class A sound absorption with NRC 1.0 (ISO 354/ASTM C423/ISO 11654)
- Absorbs 94% of human speech frequencies
- Class A fire and smoke safety (UL 723/ASTM E84)
- CAL 133, 117 pass
- Sleek profile at only 1.4" thick
- Tilts and rotates
- Ceiling/wall mounted
- Freestanding

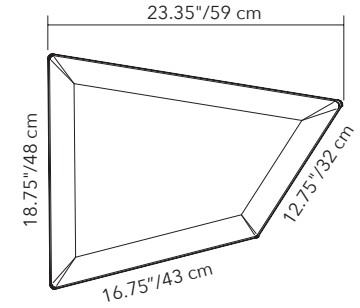
FLAP 19"x 23" - PANEL ONLY

QUICK SHIP	COLOR	PART #	QUICK SHIP	COLOR	PART #	QUICK SHIP	COLOR	PART #	QUICK SHIP	COLOR	PART #
	WHITE	40023007		OLIVE GREEN	40020079		RED	40023011		BLUE	40023013
	SILVER GRAY	40023008		BEIGE	40023006		SUN YELLOW	40023009		DOVE GRAY	40023020
	CARROT ORANGE	40023010		CHARCOAL GRAY	40023021		APPLE GREEN	40023012		BLACK	40023014

Call your local representative for stock levels and availability

PANELS AVAILABLE IN SPECIAL ORDER COLORS. PLEASE REFER TO THE COLOR OPTIONS ON PAGES 6, 7 & 8. SPECIAL ORDER COLORS REQUIRE:

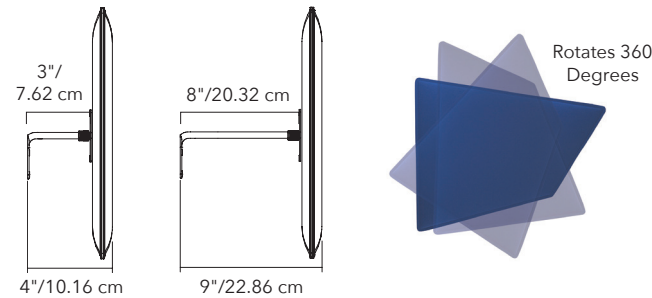
- MINIMUM ORDER QUANTITY 80 PER COLOR
- LEAD TIME UP TO 14-16 WEEKS
- +10% CUSTOM SERVICE FEE



MOUNTING ARMS FOR FLAP PANEL (SIZE 19"x 23" ONLY)

ARM LENGTH	PART #	QTY	FINISH
3"(7.62 cm)	40024007	1	CHROME
8"(20.32 cm)	40024008	1	CHROME

* For **direct surface mounting** on wall or ceiling, please specify one of the two arms above.



FLAP GRANDE 26"x 32" - COMPLETE KIT

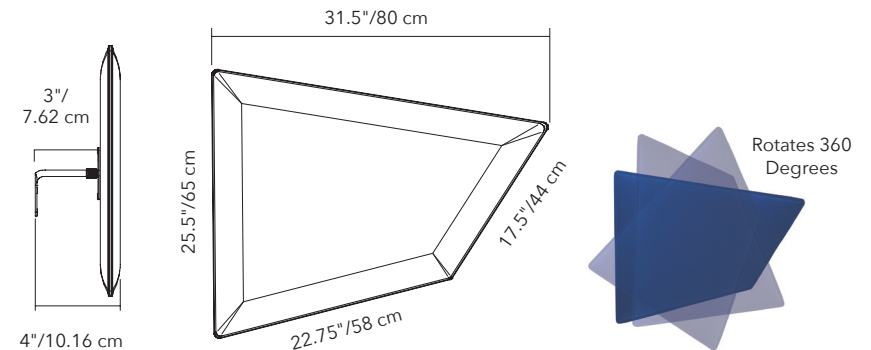
QUICK SHIP	COLOR	PART #	QUICK SHIP	COLOR	PART #	QUICK SHIP	COLOR	PART #
	WHITE	40023030		OLIVE GREEN	40023027		BLUE	40023029
	SILVER GRAY	40023022		DOVE GRAY	40023023		BLACK	40023033
	CARROT ORANGE	40023025		APPLE GREEN	40023028		SUN YELLOW	40023024
	CHARCOAL GRAY	40023031		RED	40023026		BEIGE	40023032

* FLAP GRANDE includes 3 in. (7.62 cm) Mounting Arm

Call your local representative for stock levels and availability

PANELS AVAILABLE IN SPECIAL ORDER COLORS. PLEASE REFER TO THE COLOR OPTIONS ON PAGES 6, 7 & 8. SPECIAL ORDER COLORS REQUIRE:

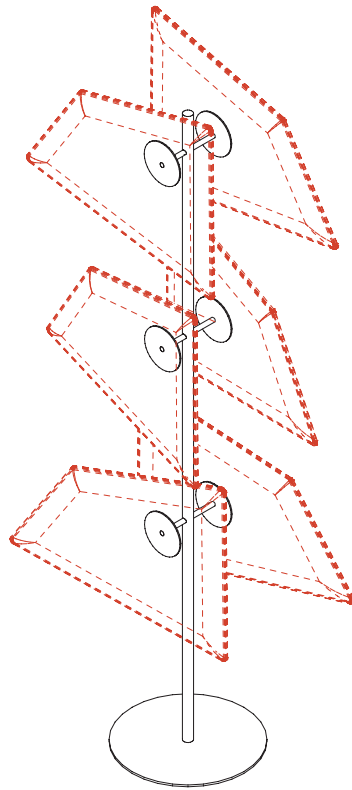
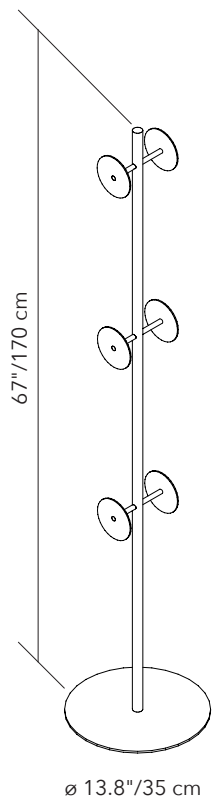
- MINIMUM ORDER QUANTITY 60 PER COLOR
- LEAD TIME UP TO 14-16 WEEKS
- +10% CUSTOM SERVICE FEE



TOTEM

PANEL SIZE	PART #	QTY	FINISH
19" x 23" 48.2 x 58.4cm	40024026	1 TOTEM	CHROME POLE MATTE WHITE BASE

* INCLUDES: Pole, base and decorative back plates



Please specify FLAP panels separately on pg. 35.
*Not compatible with FLAP GRANDE.