



FLAP CHANDELIER

FLAP CHANDELIER frames are either fixed or modular. The arms articulate off the center beam for added flexibility. Panels can rotate and tilt as desired on the frame.

- Polyester internal padding with Snowsound technology, polyester covering in Trevira CS® fabric
- Single material and 100% recyclable
- Eco friendly - Greenguard Gold
- Durable, tackable double-sided surface
- Patented variable density composition
- Class A sound absorption with NRC 1.0 (ISO 354/ASTM C423/ISO 11654)
- Absorbs 94% of human speech frequencies
- Class A fire and smoke safety (UL 723/ASTM E84)
- CAL 133, 117 pass
- Sleek profile at only 1.4" thick
- Tilts and rotates
- Ceiling suspended

4 PANEL CEILING FRAME - COMPLETE KIT (NOT MODULAR)

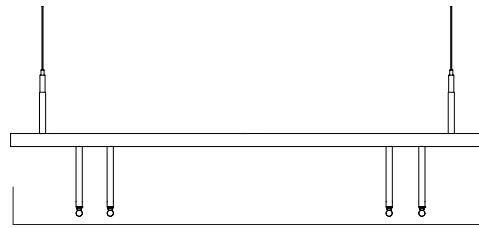
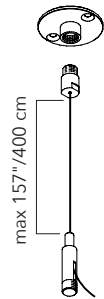
| FRAME STYLE | PART # | QTY | FINISH |
|---------------|----------|---------|--------|
| 4 PANEL FRAME | 40024009 | 1 FRAME | CHROME |

Kit includes: (1) center beam support, (2) upward hanging supports, (2) ceiling plates with aircraft cables, (4) brackets to fasten panels

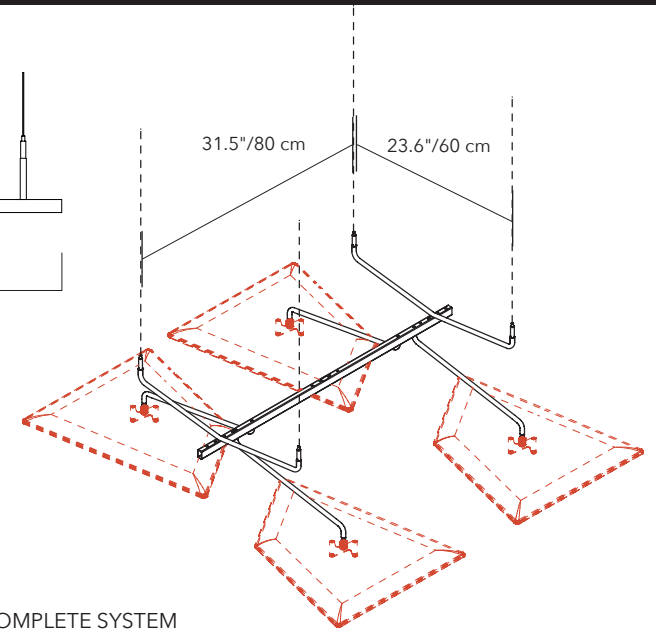
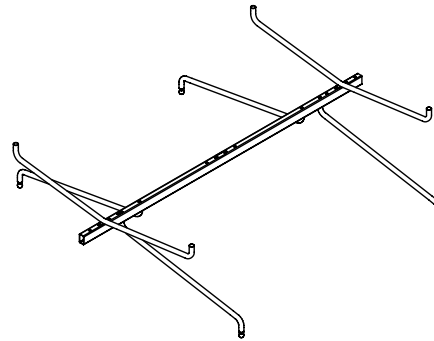
Please specify FLAP panels separately on pg. 35.

*Not compatible with FLAP GRANDE.

∅ 1.50"/3.8 cm



36.4"/92.4 cm



COMPLETE SYSTEM
WEIGHT: 12.2 lbs.

8 PANEL CEILING FRAME - COMPLETE KIT

| FRAME STYLE | PART # | QTY | FINISH |
|---------------|----------|---------|--------|
| 8 PANEL FRAME | 40024010 | 1 FRAME | CHROME |

Kit includes: (2) center beam support, (2) upward hanging supports, (2) ceiling plates with aircraft cables, (8) brackets to fasten panels and (1) connection joint

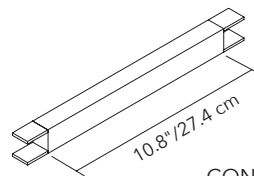
Please specify FLAP panels separately on pg. 35.

*Not compatible with FLAP GRANDE.

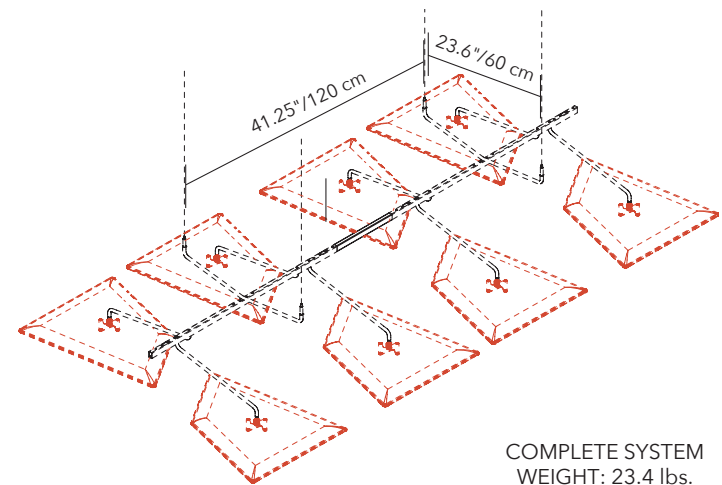
∅ 1.50"/3.8 cm



max 157"/400 cm



CONNECTION JOINT



COMPLETE SYSTEM
WEIGHT: 23.4 lbs.

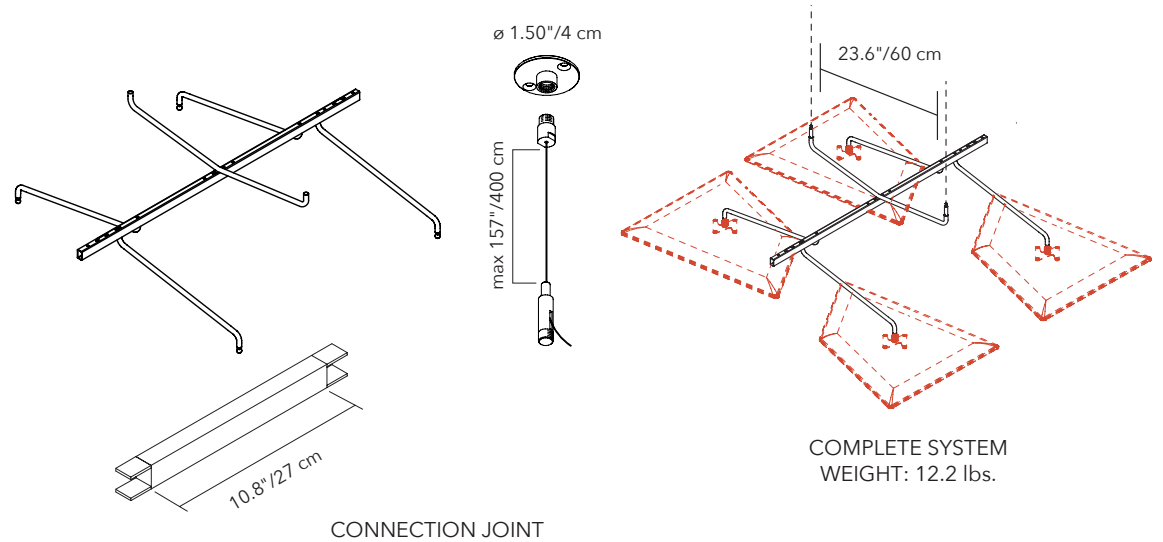
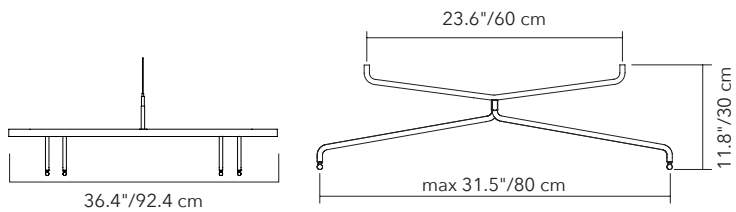
4 PANEL CEILING FRAME - COMPLETE KIT (MODULAR ADDER)

| FRAME STYLE | PART # | QTY | FINISH |
|--------------------------------|----------|---------|--------|
| MODULAR ADDER FRAME 4 PANEL | 40024011 | 1 FRAME | CHROME |

Kit includes: (1) center beam support, (1) hanging support, (1) set ceiling plates with aircraft cables, (4) brackets to fasten panels and (1) connection joint.

Please specify **FLAP** panels separately on pg. 35.

*Not compatible with **FLAP GRANDE**.



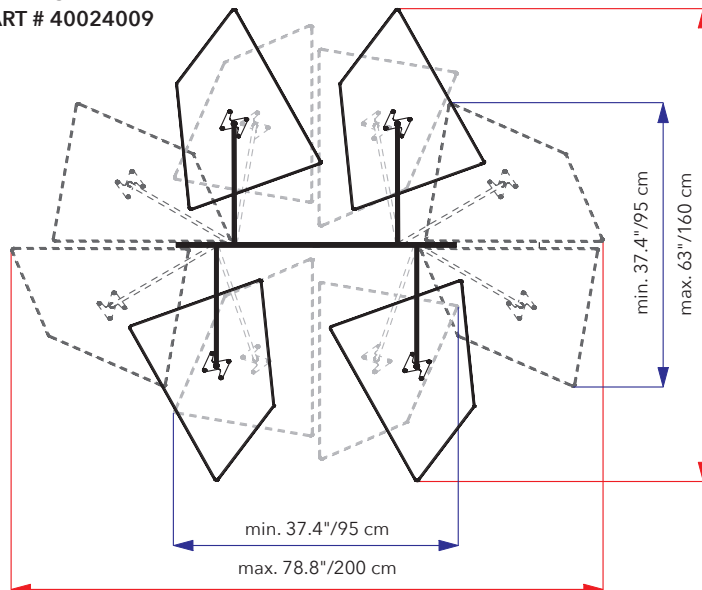
COMPLETE SYSTEM
WEIGHT: 12.2 lbs.

FLAP CHANDELIER LAYOUT DIMENSIONS

To create a (12) FLAP CHANDELIER, simply add qty (1) part #40024011 to the (8) FLAP CHANDELIER + qty (12). FLAP panels on page 35.

- 4 PANEL CHANDELIER: Approx. 4.5 ft x 4.5 ft (1.4 m x 1.4 m)
- 8 PANEL CHANDELIER: Approx. 8.25 ft x 4.5 ft (2.5 m x 1.4 m)
- 12 PANEL CHANDELIER: Approx. 12 ft x 4.5 ft (3.6 m x 1.4 m)
- 16 PANEL CHANDELIER: Approx. 16 ft x 4.5 ft (4.8 m x 1.4 m)

4 FLAP CHANDELIER
PART # 40024009



8 FLAP CHANDELIER
PART # 40024010

