

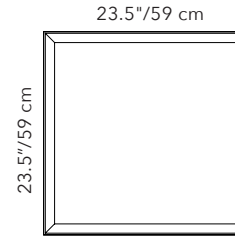
CORNER

The CORNER system uses Snowsound® patented acoustic panels to divide work spaces by creating a visual barrier while optimizing acoustic comfort. The ultra-thin 35 mm panels are coupled with desk mounting hardware that seamlessly connects the panel's "corners". This system can be retrofitted to existing spaces or specified as an architectural element in the design phase.

- Polyester internal padding with Snowsound® patented technology, polyester covering in Trevira CS® fabric
- Eco friendly - Greenguard Gold
- Durable, tackable double-sided surface
- Patented variable density composition
- Class A sound absorption with NRC 1.0 (ISO 354/ASTM C423/ISO 11654)
- Absorbs 94% of human speech frequencies
- Class A fire and smoke safety (UL 723/ASTM E84)
- CAL 133, 117 pass
- Sleek profile at only 1.4" thick
- Desk mounted

23.5" x 23.5" - PANEL ONLY

QUICK SHIP	COLOR	PART #	EXT. LEAD TIME	COLOR	PART #	EXT. LEAD TIME	COLOR	PART #
	WHITE	40025140		OLIVE GREEN	40025213		RED	40025210
	SILVER GRAY	40025141		BEIGE	40025207		RUSTIC BRICK	40025288
	CHARCOAL GRAY	40025142		SUN YELLOW	40025209		DOVE GRAY	40025208
	SLATE BLUE	40025296		CARROT ORANGE	40025211		DARK TEAL	40025304



EXTENDED LEAD TIME COLORS REQUIRE:

- LEAD TIME UP TO 10-12 WEEKS

Call your local representative for stock levels and availability

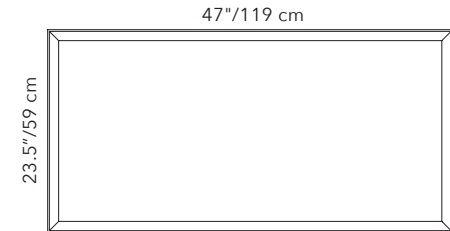
PANELS AVAILABLE IN SPECIAL ORDER COLORS.

PLEASE REFER TO THE COLOR OPTIONS ON PAGES 6, 7 & 8. SPECIAL ORDER COLORS REQUIRE:

- MINIMUM ORDER QUANTITY 70 PER COLOR
- LEAD TIME UP TO 14-16 WEEKS
- +10% CUSTOM SERVICE FEE

23.5" x 47" - PANEL ONLY

QUICK SHIP	COLOR	PART #	EXT. LEAD TIME	COLOR	PART #	EXT. LEAD TIME	COLOR	PART #	EXT. LEAD TIME	COLOR	PART #
	WHITE	40025649		OLIVE GREEN	40025657		RED	40025656		COOL WHITE	40025679
	SILVER GRAY	40025650		BEIGE	40025652		RUSTIC BRICK	40025658			
	CHARCOAL GRAY	40025651		SUN YELLOW	40025654		DOVE GRAY	40025653			
	SLATE BLUE	40025659		CARROT ORANGE	40025655		DARK TEAL	40025660			



EXTENDED LEAD TIME COLORS REQUIRE:

- LEAD TIME UP TO 10-12 WEEKS

Call your local representative for stock levels and availability

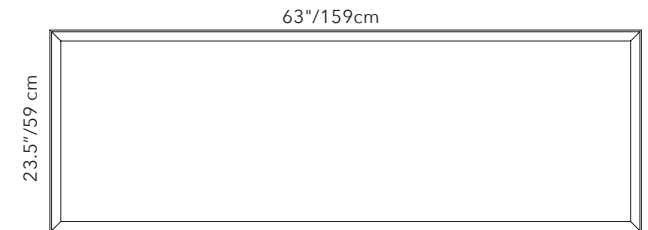
PANELS AVAILABLE IN SPECIAL ORDER COLORS.

PLEASE REFER TO THE COLOR OPTIONS ON PAGES 6, 7 & 8. SPECIAL ORDER COLORS REQUIRE:

- MINIMUM ORDER QUANTITY 50 PER COLOR
- LEAD TIME UP TO 14-16 WEEKS
- +10% CUSTOM SERVICE FEE

23.5" x 63" - PANEL ONLY

QUICK SHIP	COLOR	PART #	QUICK SHIP	COLOR	PART #	QUICK SHIP	COLOR	PART #	EXT. LEAD TIME	COLOR	PART #
	WHITE	40025002		RED	40020057		SLATE BLUE	40025295		SUN YELLOW	40020056
	SILVER GRAY	40025001		OLIVE GREEN	40020058		BLUE	40025005		RUSTIC BRICK	40025287
	CHARCOAL GRAY	40025003		BEIGE	40020055		DARK TEAL	40025303			
	CARROT ORANGE	40025006		DOVE GRAY	40025004		COOL WHITE	40025664			



EXTENDED LEAD TIME COLORS REQUIRE:

- LEAD TIME UP TO 10-12 WEEKS

Call your local representative for stock levels and availability

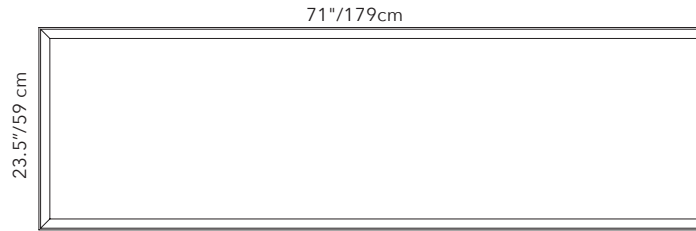
PANELS AVAILABLE IN SPECIAL ORDER COLORS.

PLEASE REFER TO THE COLOR OPTIONS ON PAGES 6, 7 & 8. SPECIAL ORDER COLORS REQUIRE:

- MINIMUM ORDER QUANTITY 50 PER COLOR
- LEAD TIME UP TO 14-16 WEEKS
- +10% CUSTOM SERVICE FEE

23.5" x 71" - PANEL ONLY

QUICK SHIP	COLOR	PART #
	SILVER GRAY	40025661
	CHARCOAL GRAY	40025723
	SLATE BLUE	40025663



EXTENDED LEAD TIME COLORS REQUIRE:

- LEAD TIME UP TO 10-12 WEEKS

Call your local representative for stock levels and availability

PANELS AVAILABLE IN SPECIAL ORDER COLORS.

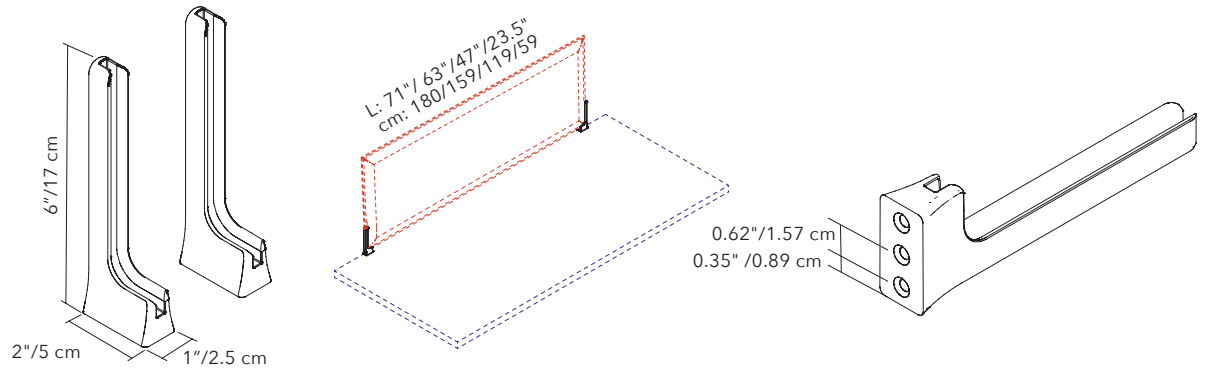
PLEASE REFER TO THE COLOR OPTIONS ON PAGES 6, 7 & 8. SPECIAL ORDER COLORS REQUIRE:

- MINIMUM ORDER QUANTITY 50 PER COLOR
- LEAD TIME UP TO 14-16 WEEKS
- +10% CUSTOM SERVICE FEE

DIRECT MOUNT BRACKETS - (PAIR)

PANEL SIZE	PART #	QTY	FINISH
FITS ALL SIZES	40025007	1 PAIR	SILVER GRAY
FITS ALL SIZES	40025008	1 PAIR	MATTE WHITE

Pair of direct mount brackets in powder-coated zamac to be fixed to desktop with screws (screws not included).

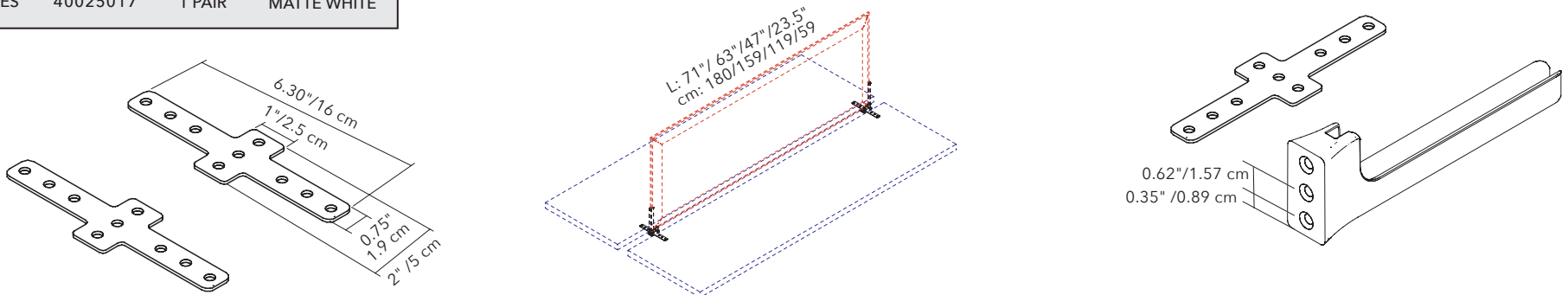


BRIDGE BRACKETS - (PAIR)

PANEL SIZE	PART #	QTY	FINISH
FITS ALL SIZES	40025016	1 PAIR	SILVER GRAY
FITS ALL SIZES	40025017	1 PAIR	MATTE WHITE

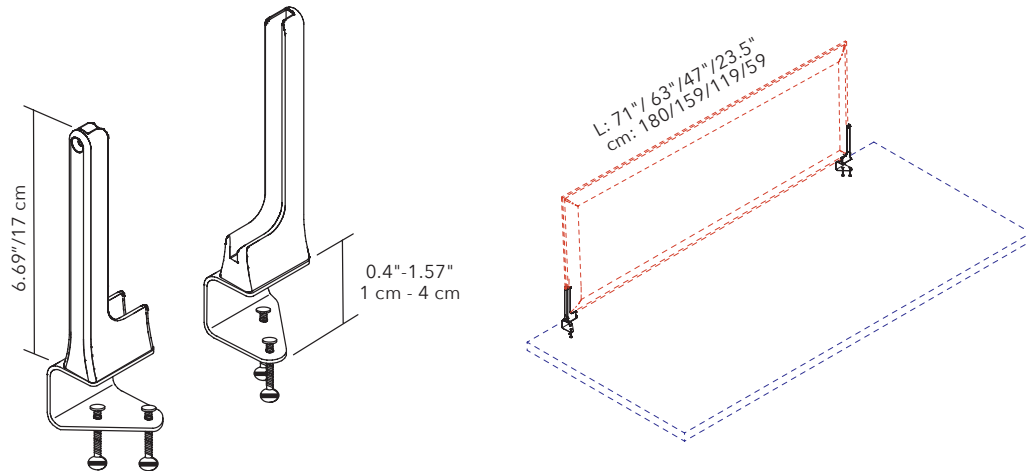
Pair of bridge brackets to use corner panel between 2 desks. To be used with brackets above.

(Part #40025007 silver gray or #40025008 matte white).



CLAMP BRACKETS - (PAIR)

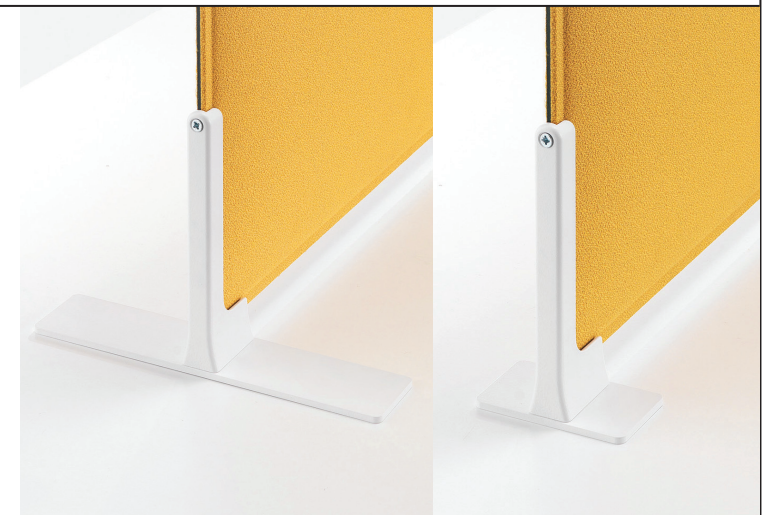
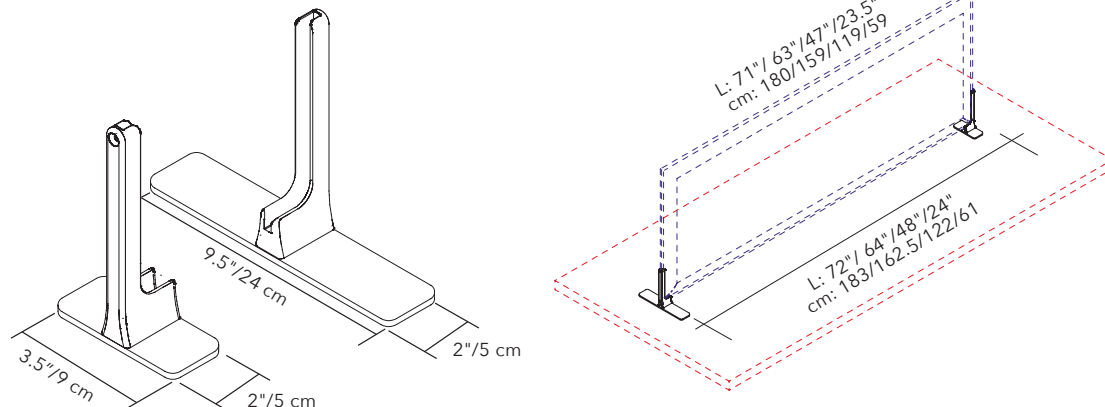
PANEL SIZE	PART #	QTY	FINISH
FITS ALL SIZES	40025067	1 PAIR	SILVER GRAY
FITS ALL SIZES	40025066	1 PAIR	MATTE WHITE



Pair of brackets with clamp connection in powder-coated steel and zamac for connection to the desktop. Available in matte white or silver gray.

FREESTANDING BASES - (SHORT & LONG)

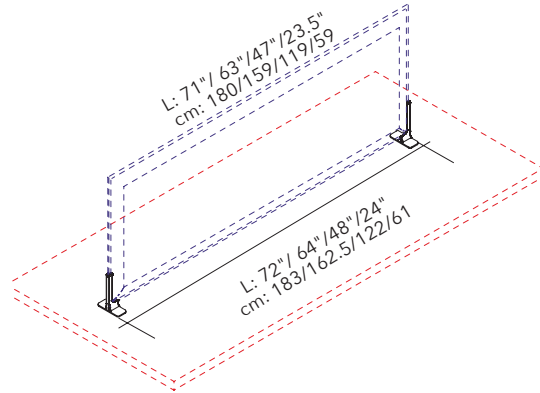
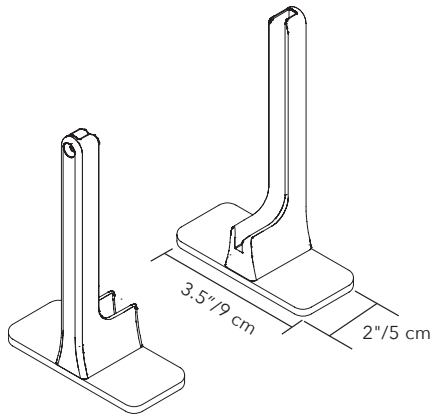
PANEL SIZE	PART #	QTY	FINISH
FITS ALL SIZES	40025103	1 PAIR	SILVER GRAY
FITS ALL SIZES	40025104	1 PAIR	MATTE WHITE



New CORNER hardware includes two different size desktop brackets with weighted base plates for free-standing applications. The two sizes differ in the length of the supporting feet.

FREESTANDING BASES - (SHORT)

PANEL SIZE	PART #	QTY	FINISH
FITS ALL SIZES	40025095	1 PAIR	SILVER GRAY
FITS ALL SIZES	40025149	1 PAIR	MATTE WHITE

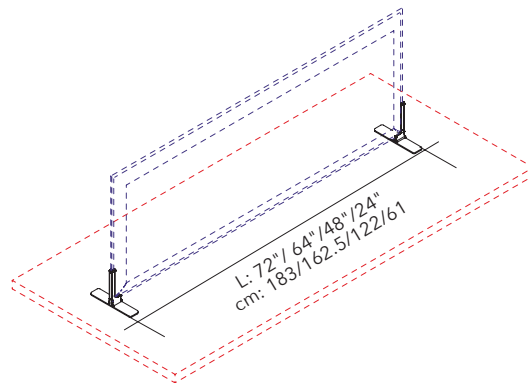
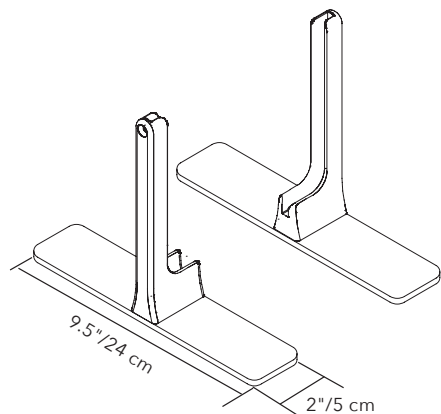


Pair of free-standing brackets with weighted bases in powder-coated steel are used as desktop dividers.

Available in matte white or silver gray.

FREESTANDING BASES - (LONG)

PANEL SIZE	PART #	QTY	FINISH
FITS ALL SIZES	40025150	1 PAIR	SILVER GRAY
FITS ALL SIZES	40025151	1 PAIR	MATTE WHITE

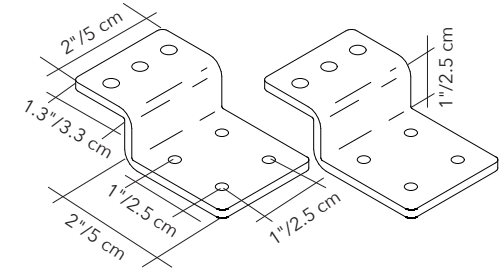
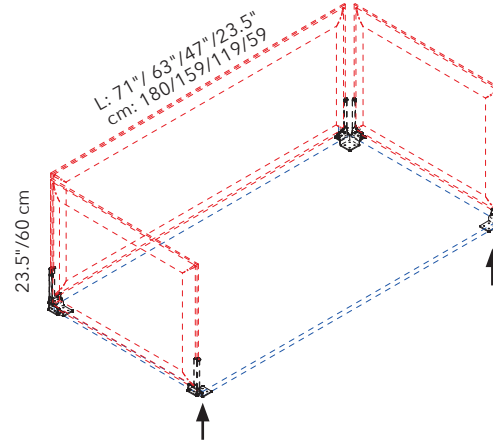
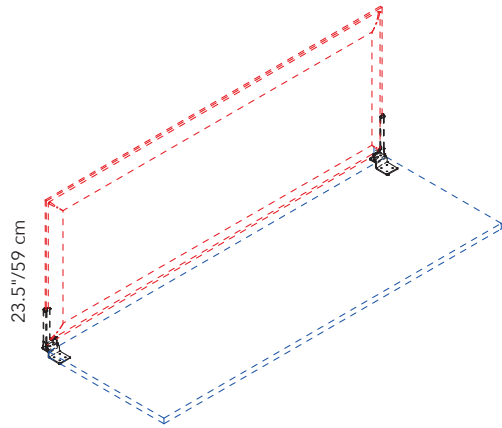


Pair of free-standing brackets with weighted bases in powder-coated steel are used as desktop dividers.

Available in matte white or silver gray.

DIRECT MOUNT BRACKETS FIXED TO DESK TOP

PANEL SIZE	PART #	QTY	FINISH
FITS ALL SIZES	40025262	1 PAIR	SILVER GRAY
FITS ALL SIZES	40025263	1 PAIR	MATTE WHITE



DIRECT MOUNT BRACKETS FOR CORNER

PANEL SIZE	PART #	QTY	FINISH
FITS ALL SIZES	40025260	1 PIECE	SILVER GRAY
FITS ALL SIZES	40025261	1 PIECE	MATTE WHITE

