

BOTANICA WALL & CEILING

A modular frame designed for both wall and ceiling installations; fabricated in chrome-plated tubular steel, characterized by a 3D curvature of the tube. In the ceiling mounted version, the frame comes complete with adjustable cables for suspension.

BOTANICA TOTEM

In the free standing version, the 6 adjustable panels are supported by a chrome-plated tubular frame with powder-coated steel base.

BOTANICA SINGLE WALL MOUNT

The single panel can be anchored to the wall with chrome-plated steel bracket.

- Polyester internal padding with Snowsound technology, polyester covering in Trevira CS® fabric
- Single material and 100% recyclable
- Eco friendly - Greenguard Gold
- Durable, tackable double-sided surface
- Patented variable density composition
- Class A sound absorption with NRC 1.0 (ISO 354/ASTM C423/ISO 11654)
- Absorbs 94% of human speech frequencies
- Class A fire and smoke safety (UL 723/ASTM E84)
- CAL 133, 117 pass
- Sleek profile at only 1.4" thick
- Wall/ceiling mounted/freestanding
- CE certified for ceiling application

SINGLE PANEL WALL MOUNT - COMPLETE KIT

| QUICK SHIP | COLOR | KIT ITEM# |
|--|---------------|-----------|
|  | WHITE | 40037042 |
|  | OLIVE GREEN | 40037043 |
|  | CHARCOAL GRAY | 40037044 |

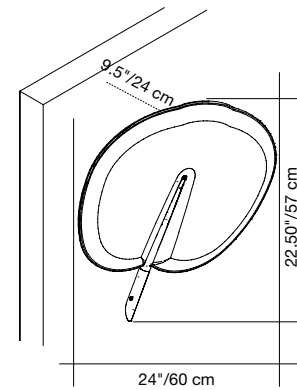
Call your local representative for stock levels and availability

PANELS AVAILABLE IN SPECIAL ORDER COLORS. PLEASE REFER TO THE COLOR OPTIONS ON PAGES 6, 7 & 8. SPECIAL ORDER COLORS REQUIRE:

- MINIMUM ORDER QUANTITY 80 PER COLOR
- LEAD TIME UP TO 14-16 WEEKS
- +10% CUSTOM SERVICE FEE

Kit includes: (1) Botanica panel, and (1) stem

* For direct surface mounting on wall.



TOTEM - COMPLETE KIT

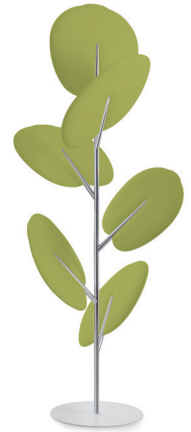
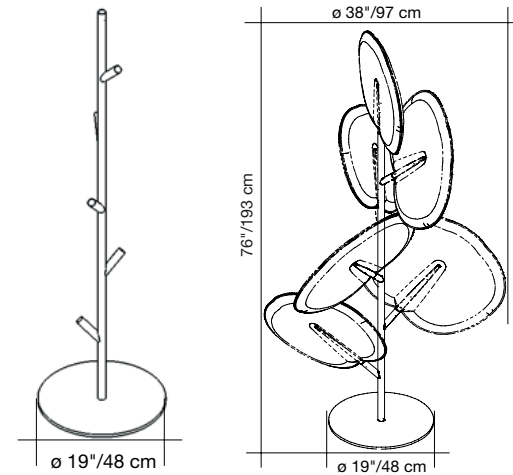
| QUICK SHIP | COLOR | KIT ITEM# |
|--|---------------|-----------|
|  | WHITE | 40037045 |
|  | OLIVE GREEN | 40037046 |
|  | CHARCOAL GRAY | 40037047 |

Call your local representative for stock levels and availability

PANELS AVAILABLE IN SPECIAL ORDER COLORS. PLEASE REFER TO THE COLOR OPTIONS ON PAGES 6, 7 & 8. SPECIAL ORDER COLORS REQUIRE:

- MINIMUM ORDER QUANTITY 80 PER COLOR
- LEAD TIME UP TO 14-16 WEEKS
- +10% CUSTOM SERVICE FEE

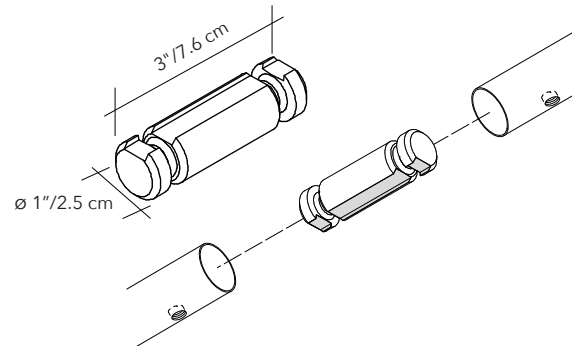
Kit includes: (6) Botanica panels, and (1) stand



CONNECTIING JOINT

| FINISH | PART # | QTY |
|--------|----------|-----|
| CHROME | 40037007 | 1 |

* For connecting multiple brackets (wall/ceiling) together



4 PANEL WALL MOUNT - COMPLETE KIT

| QUICK SHIP | COLOR | KIT ITEM# |
|--|---------------|-----------|
|  | WHITE | 40037048 |
|  | OLIVE GREEN | 40037049 |
|  | CHARCOAL GRAY | 40037050 |

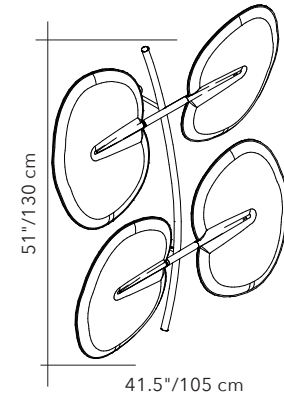
Call your local representative for stock levels and availability

PANELS AVAILABLE IN SPECIAL ORDER COLORS. PLEASE REFER TO THE COLOR OPTIONS ON PAGES 6, 7 & 8. SPECIAL ORDER COLORS REQUIRE:




- MINIMUM ORDER QUANTITY 80 PER COLOR
- LEAD TIME UP TO 14-16 WEEKS
- +10% CUSTOM SERVICE FEE

Kit includes: (4) Botanica panels, and (1) wall frame

* For direct surface mounting on wall.



5 PANEL WALL MOUNT - COMPLETE KIT

| QUICK SHIP | COLOR | KIT ITEM# |
|--|---------------|-----------|
|  | WHITE | 40037051 |
|  | OLIVE GREEN | 40037060 |
|  | CHARCOAL GRAY | 40037061 |

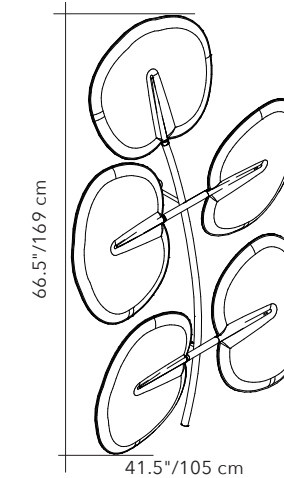
Call your local representative for stock levels and availability

PANELS AVAILABLE IN SPECIAL ORDER COLORS. PLEASE REFER TO THE COLOR OPTIONS ON PAGES 6, 7 & 8. SPECIAL ORDER COLORS REQUIRE:

- MINIMUM ORDER QUANTITY 80 PER COLOR
- LEAD TIME UP TO 14-16 WEEKS
- +10% CUSTOM SERVICE FEE

Kit includes: (5) Botanica panels, and (1) wall frame

* For direct surface mounting on wall.



6 PANEL WALL MOUNT - COMPLETE KIT

| QUICK SHIP | COLOR | KIT ITEM# |
|--|---------------|-----------|
|  | WHITE | 40037052 |
|  | OLIVE GREEN | 40037062 |
|  | CHARCOAL GRAY | 40037063 |

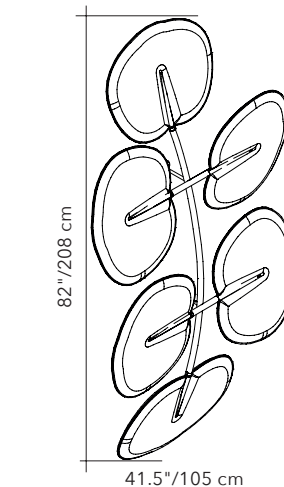
Call your local representative for stock levels and availability

PANELS AVAILABLE IN SPECIAL ORDER COLORS. PLEASE REFER TO THE COLOR OPTIONS ON PAGES 6, 7 & 8. SPECIAL ORDER COLORS REQUIRE:

- MINIMUM ORDER QUANTITY 80 PER COLOR
- LEAD TIME UP TO 14-16 WEEKS
- +10% CUSTOM SERVICE FEE

Kit includes: (6) Botanica panels, and (1) wall frame

* For direct surface mounting on wall.



4 PANEL CEILING SUSPENDED - COMPLETE KIT

| QUICK SHIP | COLOR | KIT ITEM# |
|--|---------------|-----------|
|  | WHITE | 40037013 |
|  | OLIVE GREEN | 40037014 |
|  | CHARCOAL GRAY | 40037015 |

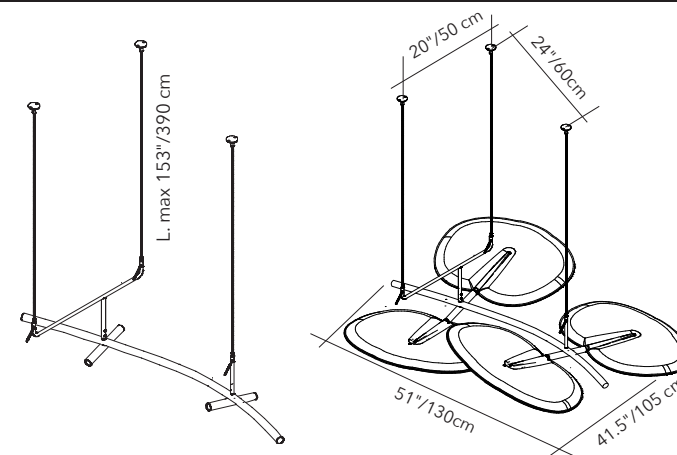
Call your local representative for stock levels and availability

PANELS AVAILABLE IN SPECIAL ORDER COLORS. PLEASE REFER TO THE COLOR OPTIONS ON PAGES 6, 7 & 8. SPECIAL ORDER COLORS REQUIRE:

- MINIMUM ORDER QUANTITY 80 PER COLOR
- LEAD TIME UP TO 14-16 WEEKS
- +10% CUSTOM SERVICE FEE

Kit includes: (4) Botanica panels, (3) cables, (3) ceiling plates, and (1) ceiling frame

* For ceiling suspended mounting.



5 PANEL CEILING SUSPENDED - COMPLETE KIT

| QUICK SHIP | COLOR | KIT ITEM# |
|--|---------------|-----------|
|  | WHITE | 40037016 |
|  | OLIVE GREEN | 40037017 |
|  | CHARCOAL GRAY | 40037018 |

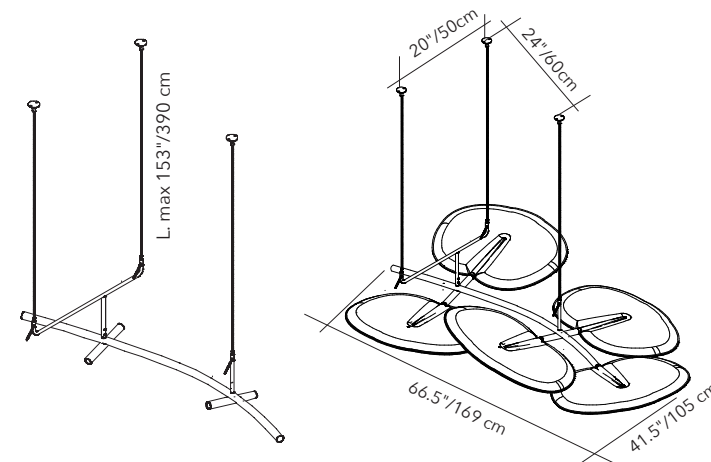
Call your local representative for stock levels and availability

PANELS AVAILABLE IN SPECIAL ORDER COLORS. PLEASE REFER TO THE COLOR OPTIONS ON PAGES 6, 7 & 8. SPECIAL ORDER COLORS REQUIRE:

- MINIMUM ORDER QUANTITY 80 PER COLOR
- LEAD TIME UP TO 14-16 WEEKS
- +10% CUSTOM SERVICE FEE

Kit includes: (5) Botanica panels, (3) cables, (3) ceiling plates, and (1) ceiling frame

* For ceiling suspended mounting.



6 PANEL CEILING SUSPENDED - COMPLETE KIT

| QUICK SHIP | COLOR | KIT ITEM# |
|--|---------------|-----------|
|  | WHITE | 40037019 |
|  | OLIVE GREEN | 40037020 |
|  | CHARCOAL GRAY | 40037021 |

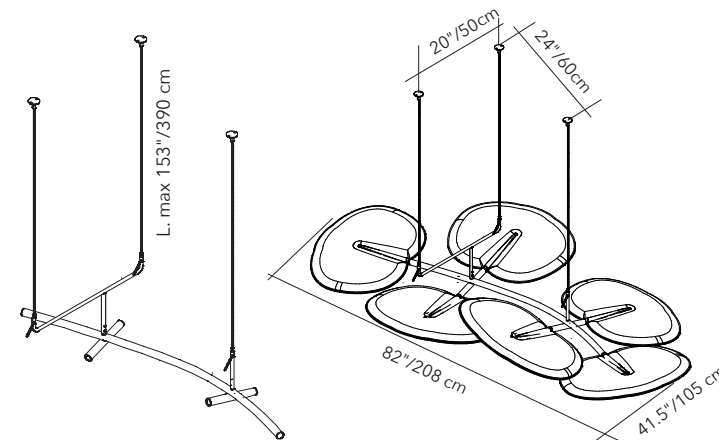
Call your local representative for stock levels and availability

PANELS AVAILABLE IN SPECIAL ORDER COLORS. PLEASE REFER TO THE COLOR OPTIONS ON PAGES 6, 7 & 8. SPECIAL ORDER COLORS REQUIRE:

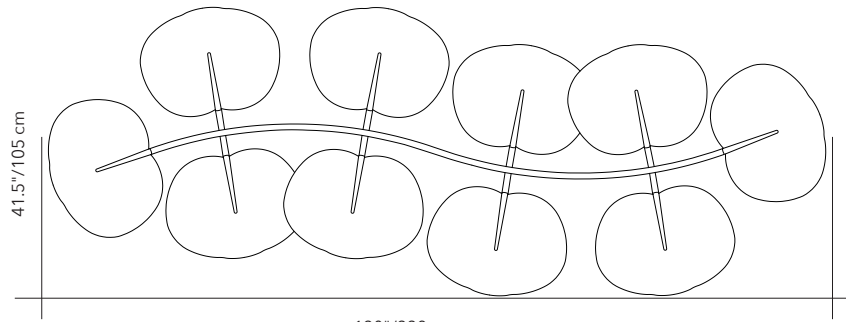
- MINIMUM ORDER QUANTITY 80 PER COLOR
- LEAD TIME UP TO 14-16 WEEKS
- +10% CUSTOM SERVICE FEE

Kit includes: (6) Botanica panels, (3) cables, (3) ceiling plates, and (1) ceiling frame

* For ceiling suspended mounting.

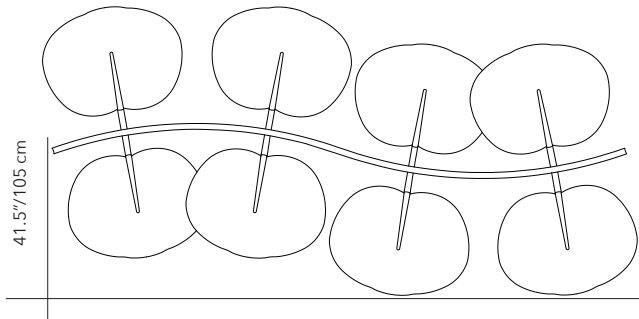


BOTANICA WALL / CEILING TYPICALS



BOTANICA WALL ITEM# 40037066: WHITE
 ITEM# 40037067: OLIVE GREEN
 ITEM# 40037054: CHARCOAL GRAY

BOTANICA CEILING ITEM# 40037025: WHITE
 ITEM# 40037026: OLIVE GREEN
 ITEM# 40037027: CHARCOAL GRAY

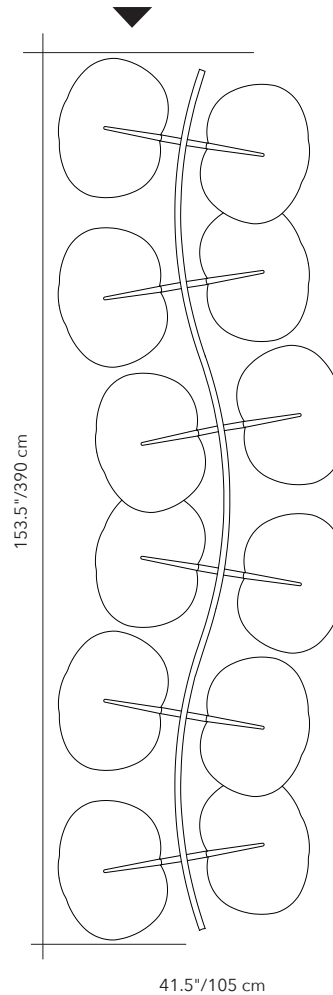


BOTANICA WALL ITEM# 40037053: WHITE
 ITEM# 40037064: OLIVE GREEN
 ITEM# 40037065: CHARCOAL GRAY

BOTANICA CEILING ITEM# 40037022: WHITE
 ITEM# 40037023: OLIVE GREEN
 ITEM# 40037024: CHARCOAL GRAY

BOTANICA WALL ITEM# 40037059: WHITE
 ITEM# 40037069: OLIVE GREEN
 ITEM# 40037055: CHARCOAL GRAY

BOTANICA CEILING ITEM# 40037028: WHITE
 ITEM# 40037029: OLIVE GREEN
 ITEM# 40037030: CHARCOAL GRAY



BOTANICA WALL ITEM# 40037070: WHITE
 ITEM# 40037071: OLIVE GREEN
 ITEM# 40037056: CHARCOAL GRAY

BOTANICA CEILING ITEM# 40037031: WHITE
 ITEM# 40037032: OLIVE GREEN
 ITEM# 40037033: CHARCOAL GRAY

