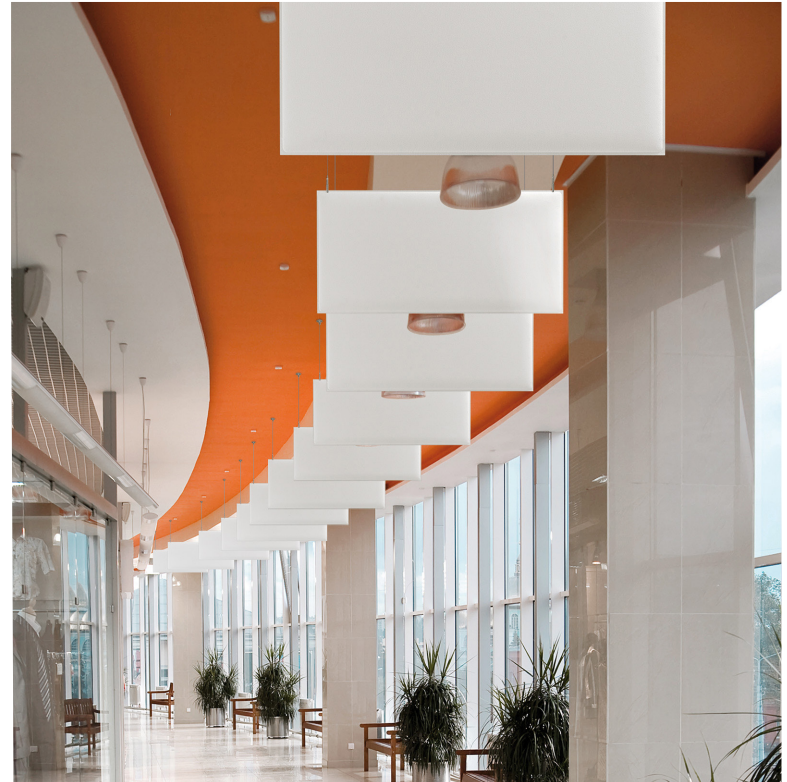




### BAFFLE

Panel with polyester internal padding with Snowsound® technology variable density. Polyester covering in Trevira CS® Fabric. Equipped with kit for ceiling suspended panels. Panel can be hung in either horizontal or vertical orientation. Cylindrical fasteners to be positioned alongside top edge of the panel.



- Polyester internal padding with Snowsound technology, polyester covering in Trevira CS® fabric
- Single material and 100% recyclable
- Eco friendly - Greenguard Gold
- Durable, tackable double-sided surface
- Patented variable density composition
- Class A sound absorption with NRC 1.0 (ISO 354/ASTM C423/ISO 11654)
- Absorbs 94% of human speech frequencies
- Class A fire and smoke safety (UL 723/ASTM E84)
- CAL 133, 117 pass
- Sleek profile at only 1.4" thick
- Ceiling suspended
- CE certified for ceiling application

## 17.3"x 63" - COMPLETE KIT

QUICK SHIP	COLOR	PART #	EXT. LEAD TIME	COLOR	PART #	EXT. LEAD TIME	COLOR	PART #
	WHITE	40025704		SUN YELLOW	40025710		BEIGE	40025711
	SILVER GRAY	40025705		CARROT ORANGE	40025707		DOVE GRAY	40025712
	CHARCOAL GRAY	40025706		RED	40025709		OLIVE GREEN	40025708
	SLATE BLUE	40025714		RUSTIC BRICK	40025713		DARK TEAL	40025715

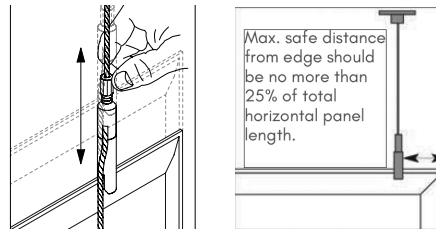
**EXTENDED LEAD TIME COLORS REQUIRE:**

- LEAD TIME UP TO 10-12 WEEKS

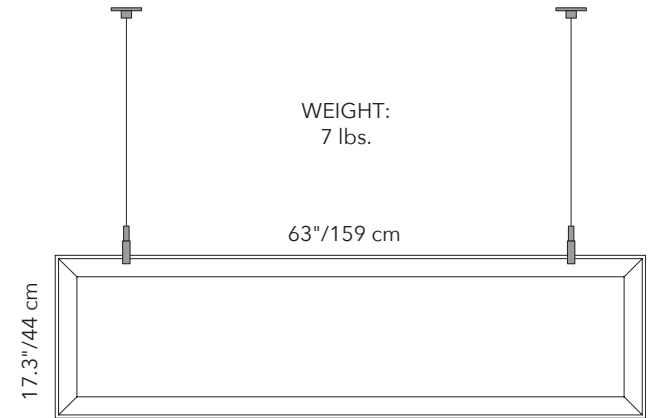
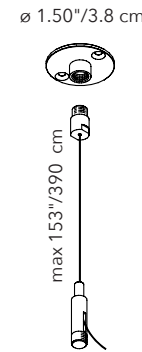
Call your local representative for stock levels and availability

**PANELS AVAILABLE IN SPECIAL ORDER COLORS. PLEASE REFER TO THE COLOR OPTIONS ON PAGES 6, 7 & 8. SPECIAL ORDER COLORS REQUIRE:**

- MINIMUM ORDER QUANTITY 60 PER COLOR
- LEAD TIME UP TO 14-16 WEEKS
- +10% CUSTOM SERVICE FEE



ADJUSTABLE CABLE LOCK, ADJUSTS THE HEIGHT UP TO 153"



**Kit includes:** (1) 17.3 x 63 inch panel, (2) chrome ceiling plates, (2) steel cables, (2) adjustable cable locks, (2) panel fasteners

## 17.3"x 71" - COMPLETE KIT

QUICK SHIP	COLOR	PART #	EXT. LEAD TIME	COLOR	PART #	EXT. LEAD TIME	COLOR	PART #
	WHITE	40025691		SUN YELLOW	40025696		BEIGE	40025698
	SILVER GRAY	40025692		CARROT ORANGE	40025694		DOVE GRAY	40025699
	CHARCOAL GRAY	40025693		RED	40025695		OLIVE GREEN	40025697
	SLATE BLUE	40025701		RUSTIC BRICK	40025700		DARK TEAL	40025702

**EXTENDED LEAD TIME COLORS REQUIRE:**

- LEAD TIME UP TO 10-12 WEEKS

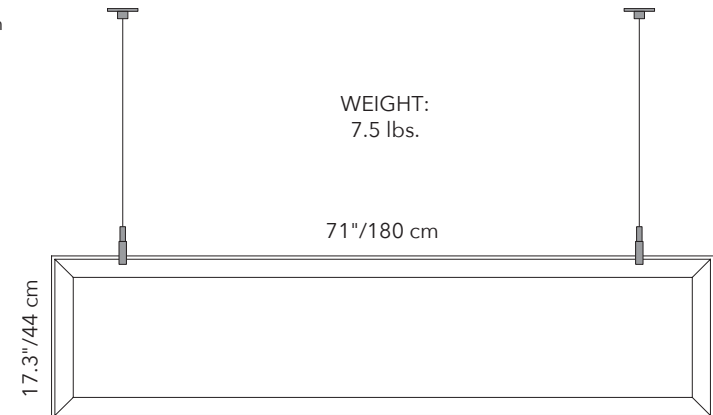
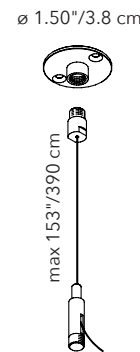
Call your local representative for stock levels and availability

**PANELS AVAILABLE IN SPECIAL ORDER COLORS. PLEASE REFER TO THE COLOR OPTIONS ON PAGES 6, 7 & 8. SPECIAL ORDER COLORS REQUIRE:**

- MINIMUM ORDER QUANTITY 60 PER COLOR
- LEAD TIME UP TO 14-16 WEEKS
- +10% CUSTOM SERVICE FEE



ADJUSTABLE CABLE LOCK, ADJUSTS THE HEIGHT UP TO 153" (388.6 cm)



**Kit includes:** (1) 17.3 x 71 inch panel, (2) chrome ceiling plates, (2) steel cables, (2) adjustable cable locks, (2) panel fasteners

## 23.5" x 23.5" - COMPLETE KIT

QUICK SHIP	COLOR	PART #	EXT. LEAD TIME	COLOR	PART #	EXT. LEAD TIME	COLOR	PART #
	WHITE	40023058		SUN YELLOW	40023064		BEIGE	40023063
	SILVER GRAY	40023059		CARROT ORANGE	40023062		DOVE GRAY	40023061
	CHARCOAL GRAY	40023060		RED	40023065		OLIVE GREEN	40023066
	SLATE BLUE	40023126		RUSTIC BRICK	40023119		DARK TEAL	40023128

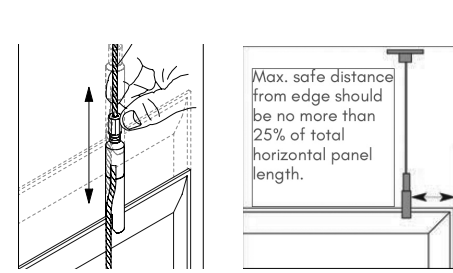
**EXTENDED LEAD TIME COLORS REQUIRE:**

- LEAD TIME UP TO 10-12 WEEKS

Call your local representative for stock levels and availability

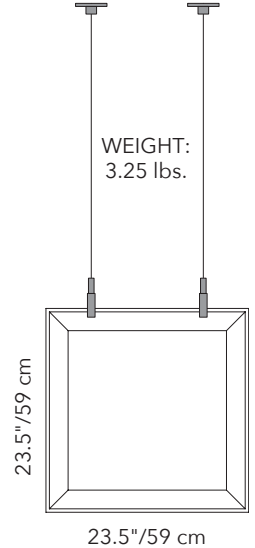
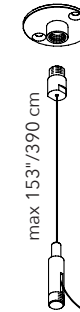
**PANELS AVAILABLE IN SPECIAL ORDER COLORS. PLEASE REFER TO THE COLOR OPTIONS ON PAGES 6, 7 & 8. SPECIAL ORDER COLORS REQUIRE:**

- MINIMUM ORDER QUANTITY 70 PER COLOR
- LEAD TIME UP TO 14-16 WEEKS
- +10% CUSTOM SERVICE FEE



ADJUSTABLE CABLE LOCK, ADJUSTS THE HEIGHT UP TO 153" (388.6 cm)

ø 1.50"/3.8 cm



**Kit includes:** (1) 23.5 x 23.5 inch panel, (2) chrome ceiling plates, (2) steel cables, (2) adjustable cable locks, (2) panel fasteners

## 23.5" x 47" - COMPLETE KIT

QUICK SHIP	COLOR	PART #	EXT. LEAD TIME	COLOR	PART #	EXT. LEAD TIME	COLOR	PART #	EXT. LEAD TIME	COLOR	PART #
	WHITE	40025735		SUN YELLOW	40025755		BEIGE	40025754		COOL WHITE	40025800
	SILVER GRAY	40025736		CARROT ORANGE	40025753		DOVE GRAY	40025752			
	CHARCOAL GRAY	40025798		RED	40025756		OLIVE GREEN	40025757			
	SLATE BLUE	40025759		RUSTIC BRICK	40025761		DARK TEAL	40025760			

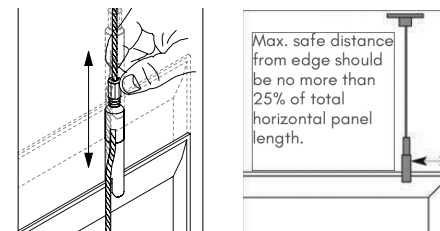
**EXTENDED LEAD TIME COLORS REQUIRE:**

- LEAD TIME UP TO 10-12 WEEKS

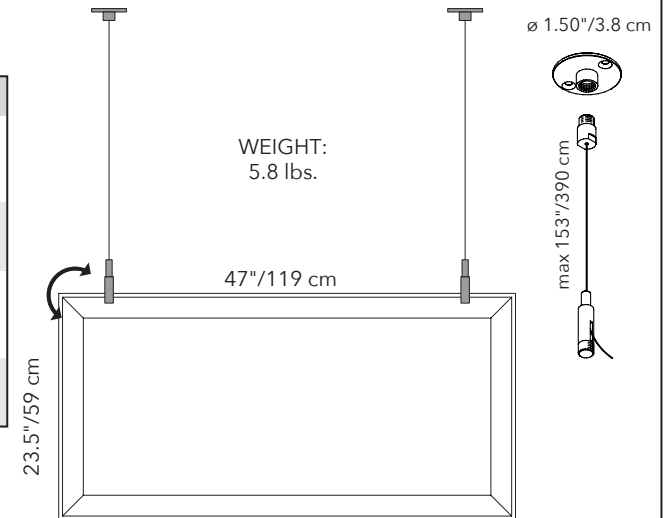
Call your local representative for stock levels and availability

**PANELS AVAILABLE IN SPECIAL ORDER COLORS. PLEASE REFER TO THE COLOR OPTIONS ON PAGES 6, 7 & 8. SPECIAL ORDER COLORS REQUIRE:**

- MINIMUM ORDER QUANTITY 50 PER COLOR
- LEAD TIME UP TO 14-16 WEEKS
- +10% CUSTOM SERVICE FEE



ADJUSTABLE CABLE LOCK, ADJUSTS THE HEIGHT UP TO 153" (388.6 cm)



**Kit includes:** (1) 23.5 x 47 inch panel, (2) chrome ceiling plates, (2) steel cables, (2) adjustable cable locks, (2) panel fasteners

## 23.5"x 63" - COMPLETE KIT

QUICK SHIP	COLOR	PART #	QUICK SHIP	COLOR	PART #	EXT. LEAD TIME	COLOR	PART #
	WHITE	40023082		BEIGE	40023087		COOL WHITE	40025737
	SILVER GRAY	40023083		DOVE GRAY	40023085		SUN YELLOW	40023088
	CHARCOAL GRAY	40023086		OLIVE GREEN	40023090		RUSTIC BRICK	40023122
	CARROT ORANGE	40023084		SLATE BLUE	40023124		DARK TEAL	40023125
	RED	40023089		BLUE	40023092			

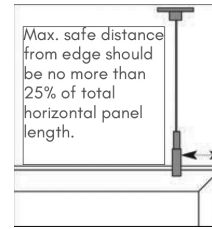
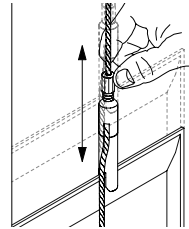
**EXTENDED LEAD TIME COLORS REQUIRE:**

- LEAD TIME UP TO 10-12 WEEKS

Call your local representative for stock levels and availability

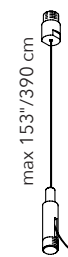
**PANELS AVAILABLE IN SPECIAL ORDER COLORS. PLEASE REFER TO THE COLOR OPTIONS ON PAGES 6, 7 & 8. SPECIAL ORDER COLORS REQUIRE:**

- MINIMUM ORDER QUANTITY 50 PER COLOR
- LEAD TIME UP TO 14-16 WEEKS
- +10% CUSTOM SERVICE FEE

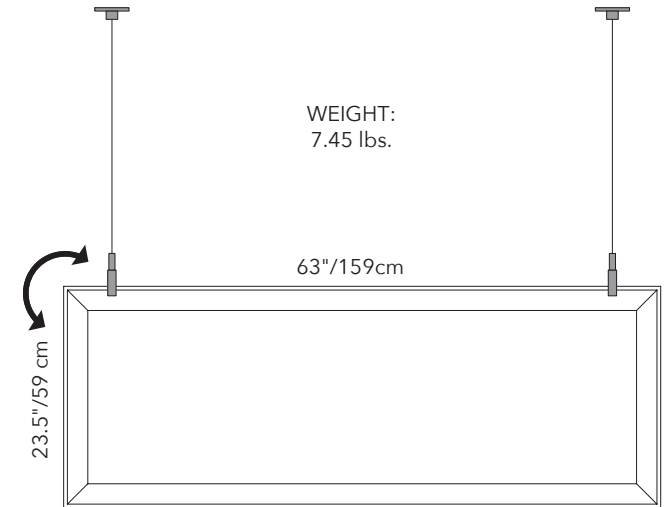


ADJUSTABLE CABLE LOCK, ADJUSTS THE HEIGHT UP TO 153" (388.6 cm)

ø 1.50"/3.8 cm






max 153"/390 cm



WEIGHT:  
7.45 lbs.

**Kit includes:** (1) 23.5 x 63 inch panel, (2) chrome ceiling plates, (2) steel cables, (2) adjustable cable locks, (2) panel fasteners

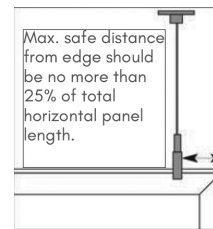
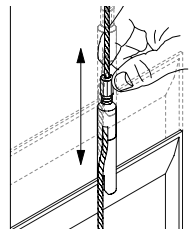
## 23.5"x 71" - COMPLETE KIT

QUICK SHIP	COLOR	PART #	QUICK SHIP	COLOR	PART #
	SILVER GRAY	40025739		SLATE BLUE	40025749
	CHARCOAL GRAY	40025742			

Call your local representative for stock levels and availability

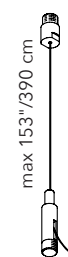
**PANELS AVAILABLE IN SPECIAL ORDER COLORS. PLEASE REFER TO THE COLOR OPTIONS ON PAGES 6, 7 & 8. SPECIAL ORDER COLORS REQUIRE:**

- MINIMUM ORDER QUANTITY 50 PER COLOR
- LEAD TIME UP TO 14-16 WEEKS
- +10% CUSTOM SERVICE FEE

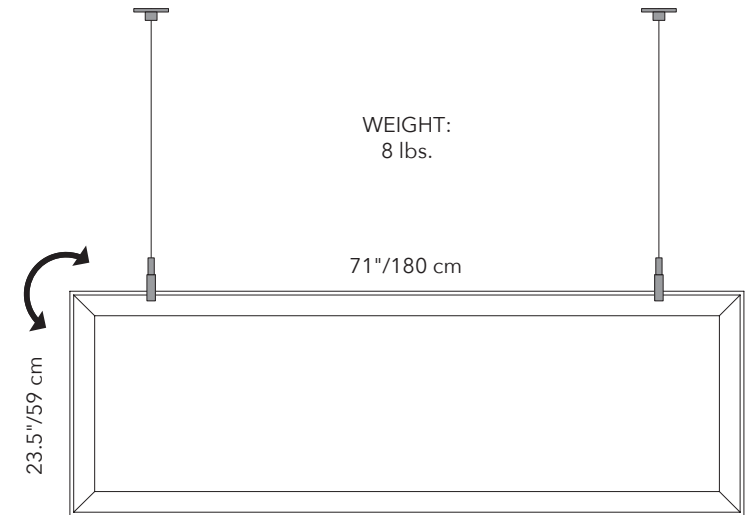


ADJUSTABLE CABLE LOCK, ADJUSTS THE HEIGHT UP TO 153" (388.6 cm)

ø 1.50"/3.8 cm



max 153"/390 cm



WEIGHT:  
8 lbs.

**Kit includes:** (1) 23.5x 71 inch panel, (2) chrome ceiling plates, (2) steel cables, (2) adjustable cable locks, (2) panel fasteners